



Know what's below.
Call before you dig.

DATE:	ISSUE:
01-11-2018	Revised Encroachment Area

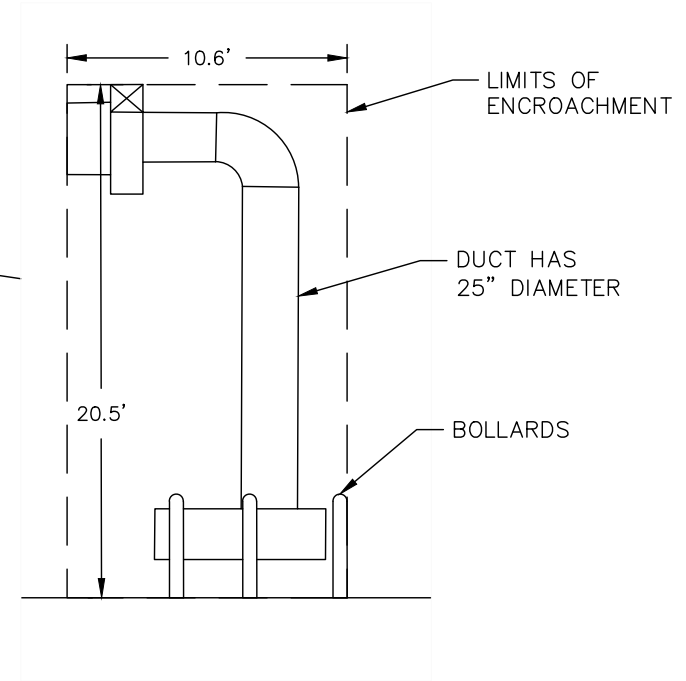
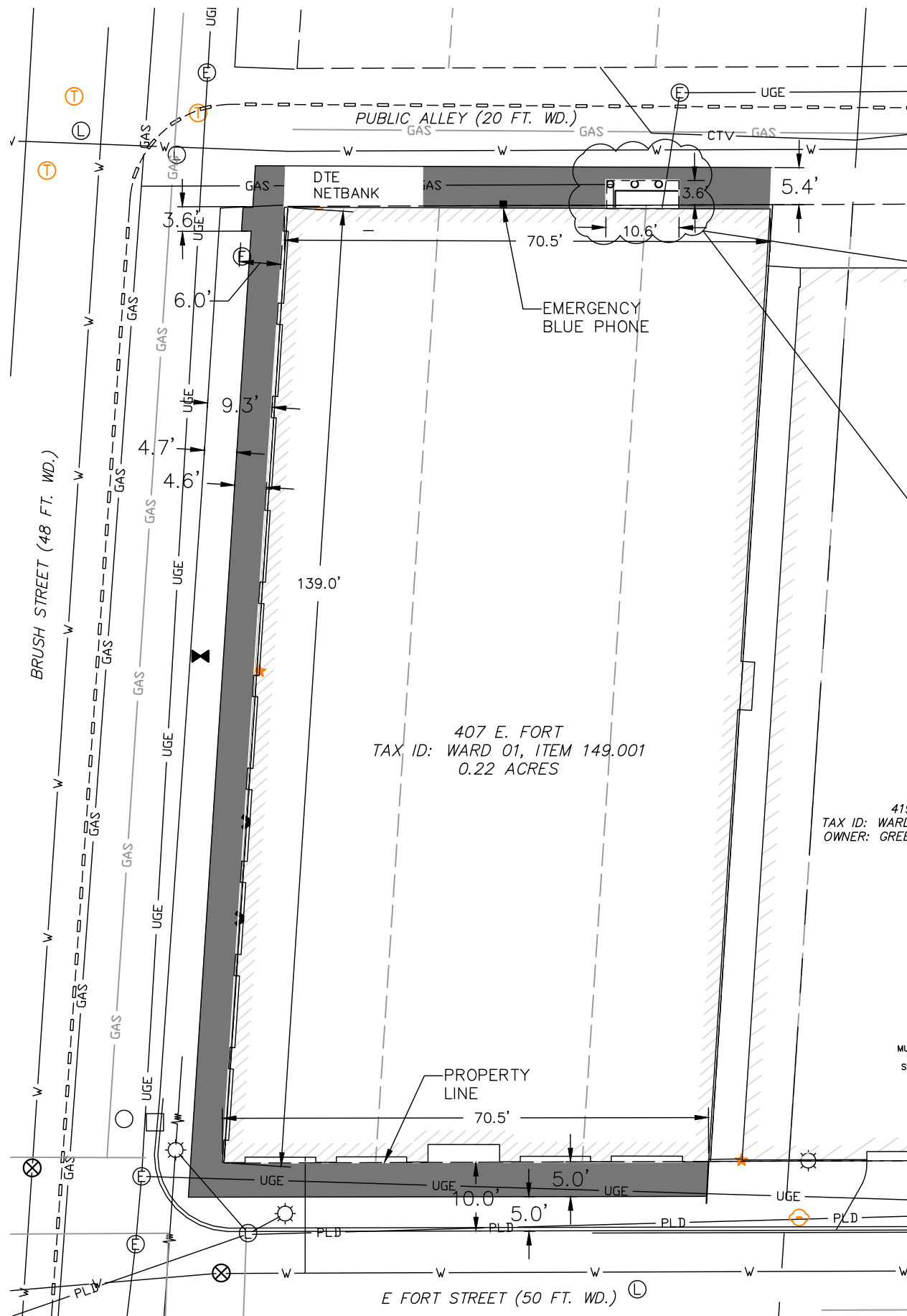
**ALTA/ACSM
LAND TITLE
SURVEY**

407 E. FORT STREET

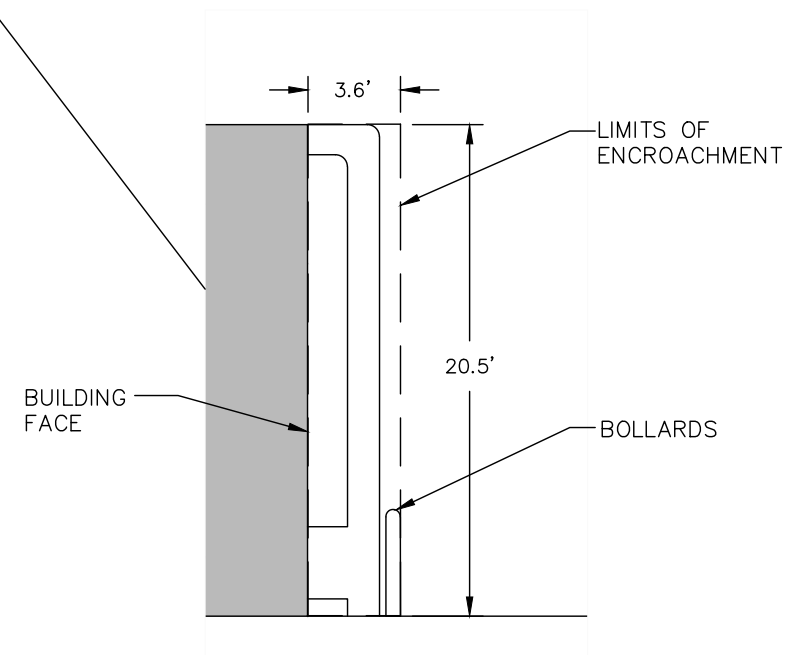
CITY OF DETROIT
WAYNE COUNTY
MICHIGAN

Date:	08.07.2017
Scale:	1"=20'
Sheet:	1 OF 1
Project:	18327.23D

Copyright © 2017 Giffels Webster.
No reproduction shall be made without the
prior written consent of Giffels Webster.



PARTIAL NORTH ELEVATION
SCALE: NS



PARTIAL EAST ELEVATION
SCALE: NS

