



CITY OF DETROIT  
DEPARTMENT OF PUBLIC WORKS  
CITY ENGINEERING DIVISION

COLEMAN A. YOUNG MUNICIPAL CENTER  
2 WOODWARD AVE. SUITE 601  
DETROIT, MICHIGAN 48226  
PHONE: (313) 224-3949 • TTY: 711  
FAX: (313) 224-3471  
WWW.DETROITMI.GOV

May 5th, 2020

Petitioner,

RE: Petition No. x1430

Petition No. x1430 1145 Griswold Street LLC, request for various encroachments into Griswold Street and State Street adjacent to the properties known as 1145 Griswold and 1133 Griswold

The petition was referred to the City Engineering Division – DPW for investigation (utility review) and report. This is our report.

The review of petition x1430 has produced objections from DTE Gas and Electric, the City of Detroit Public Works - Traffic Engineering Division, and the City of Detroit Water and Sewage Department. Petition x1430 was filed with the City of Detroit Clerk's Office on February 13<sup>th</sup>, 2017 and has surpassed the allowed amount of time to resolve the concerns of this petition. It is recommended that the petitioner re-apply with additional details for the encroachment related to the awning, underground vaults and mechanical equipment. The proposal of the outdoor café is required to submit for seasonal approval. The design requirements related to a permanent outdoor café include an area that is enclosed, heated, and able to be used year round.

The Department of Public Works, City Engineering Division denies this petition request. Please receive and file this report for you reference.

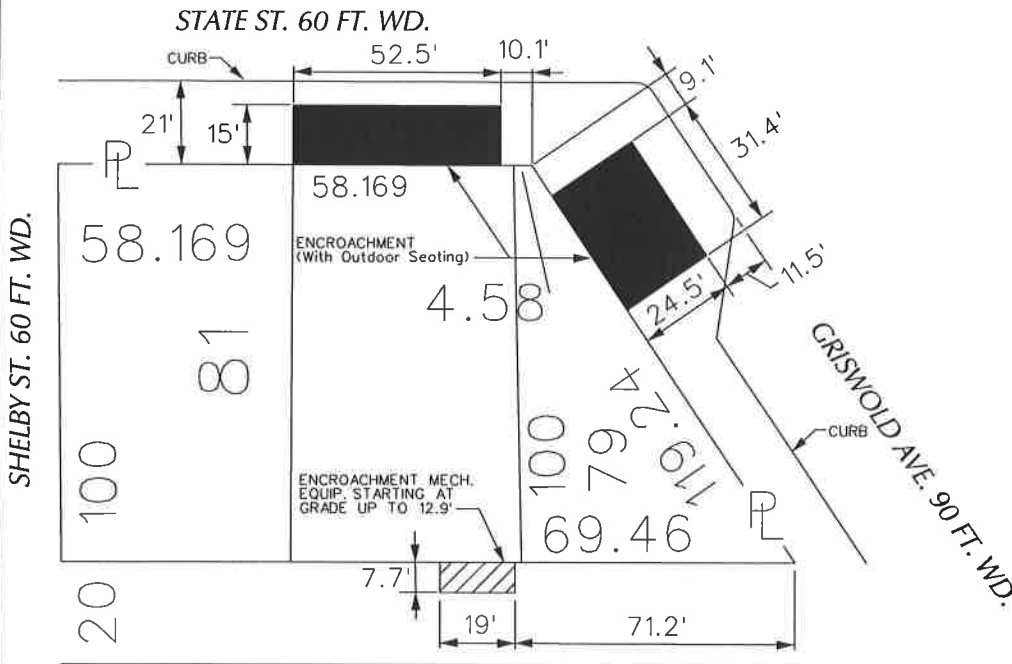
Respectfully submitted,

Richard Doherty, City Engineer  
City Engineering Division – DPW

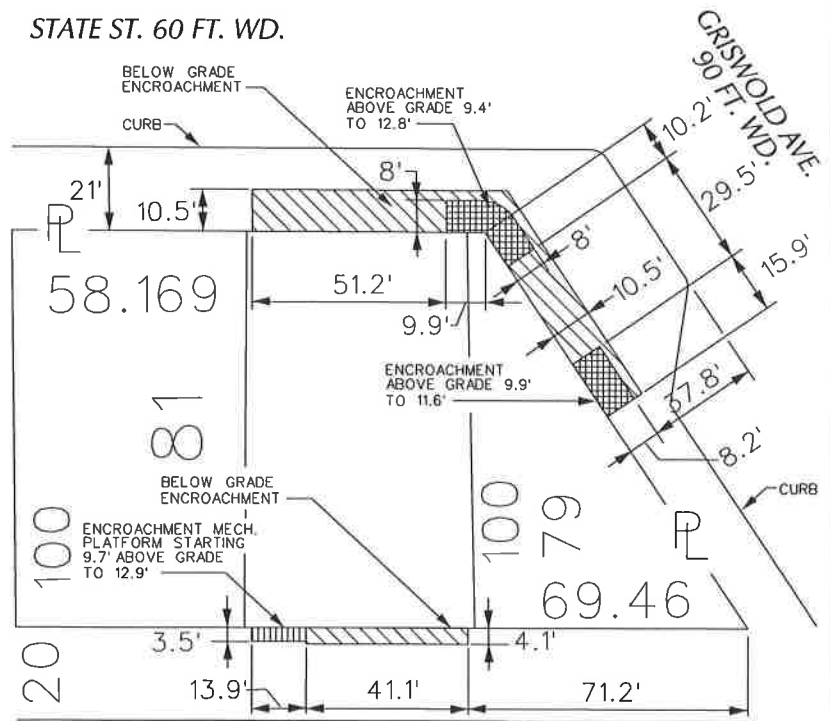
JMK/

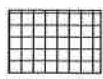

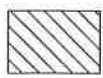
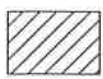

Cc: Ron Brundidge, Director – DPW  
Mayor's Office – City Council Liaison

PETITION NO. 1430  
 GIFFELS WEBSTER  
 28 W. ADAMS, SUITE 1200  
 DETROIT, MICHIGAN 48226  
 C/O MICHAEL MARKS P.E.  
 PHONE NO. 313 962-4442



STATE ST. 60 FT. WD.



-  - REQUEST ENCROACHMENT (With Awning)
-  - REQUEST ENCROACHMENT (With Mechanical Platform)
-  - REQUEST ENCROACHMENT (With Underground Vaults)
-  - REQUEST ENCROACHMENT (With Mechanical Equipment)
-  - REQUEST ENCROACHMENT (With Outdoor Seating)

(FOR OFFICE USE ONLY)

CARTO 28 B

B					
A					
DESCRIPTION	DRWN	CHKD	APPD	DATE	
REVISIONS					
DRAWN BY	WLW	CHECKED			
DATE	11-06-17	APPROVED			

REQUEST ENCROACHMENT  
 INTO GRISWOLD AND STATE  
 AT 1145 GRISWOLD  
 (With Outdoor Seating, Mechanical Equipment  
 & Platform, Underground Vaults and Awnings)

CITY OF DETROIT CITY ENGINEERING DEPARTMENT SURVEY BUREAU	
JOB NO.	01-01
DRWG. NO.	X 1430