



City of Detroit
Inter-Departmental Communication

TO: Richard Doherty, City Engineer
City Engineering/Department of Public Works

FROM: Debra Singleton, Engineer
Detroit Water and Sewerage Department

DATE: March 18, 2016

RE: Petition No. 980
Requested Encroachment Into Griswold And Grand River At 28 W. Grand River
And A Portion of The East/West Alley Between Grand River And Clifford

We have reviewed the above Petition received by this office on February 25, 2016. With regard to DWSD's interests, our comments are as follows:

- Our records indicate that there are water mains and sewers in the area of encroachments. DWSD has no objection to the requested encroachments provided that the attached Provisions for Encroachment are strictly followed.

If you have any questions, please call me at (313) 267-8309.

Sincerely,

Debra Singleton
Engineer
Claims and Permits

DS//gl

Attachments

CC: Cheryl Porter, WBB
Mohamad Farhat, CSF

Michael Duggan, Mayor

City of Detroit
City Engineering Division, Department of Public Works
Survey Bureau

NOTICE OF PROPOSED CHANGE IN PROPERTY

Date: 02/26/2016

Petition: x980

- | | |
|--|--|
| <input type="checkbox"/> AT&T Telecommunication | <input type="checkbox"/> Berm Use |
| <input type="checkbox"/> Comcast Television (CATV) | <input type="checkbox"/> Conversion to Easement |
| <input type="checkbox"/> Detroit Edison (DTE) | <input type="checkbox"/> Dedication |
| <input type="checkbox"/> Fire Department | <input checked="" type="checkbox"/> Encroachment |
| <input type="checkbox"/> Michcon (DTE) | <input type="checkbox"/> Temporary Closing |
| <input type="checkbox"/> Planning & Development Department | <input type="checkbox"/> Vacation |
| <input type="checkbox"/> Public Lighting Authority | |
| <input type="checkbox"/> Public Lighting Department | |
| <input type="checkbox"/> Police Department | |
| <input type="checkbox"/> Recreation Department | |
| <input type="checkbox"/> Solid Waste Division, DPW | |
| <input type="checkbox"/> Street Design Bureau, DPW | |
| <input type="checkbox"/> Street Maintenance Division, DPW | |
| <input type="checkbox"/> Traffic Engineering Division, DPW | |
| <input type="checkbox"/> Water and Sewerage Department | |
| <input type="checkbox"/> _____ | |

A petition drawing is attached. Property shown on the attached print is proposed to be changed as indicated. Kindly report (using the back of this sheet) the nature of your services, if any affected by the proposed change and the estimated costs of removing and rerouting such services (if necessary).

Please return one copy to City Engineering Division, DPW within two weeks of the submittal date. Retain one copy and print for you file.

Ron Brundidge, Director, Department of Public Works

By: Richard Doherty, CED DPW
City Engineer

**TO: City Engineering Division, DPW
2 Woodward Ave., Suite 642
Detroit, Michigan 48226-3462
Survey Bureau: 313-224-3970**

Petition: x980

The proposed change in property (referred to on the other side of this sheet) would affect our services as follows:

- Not Involved

- Involved; but asking you to hold action on this petition until further notice.

- Involved; but no objections to the property change.

- Involved; but no objections to the property change...provided as easement of the full width of the public right-of-way (street, alley or other public place) is reserved.

- Involved; the nature of our services and the estimated costs of removing and/or rerouting such services are:

(Utility or City Department)

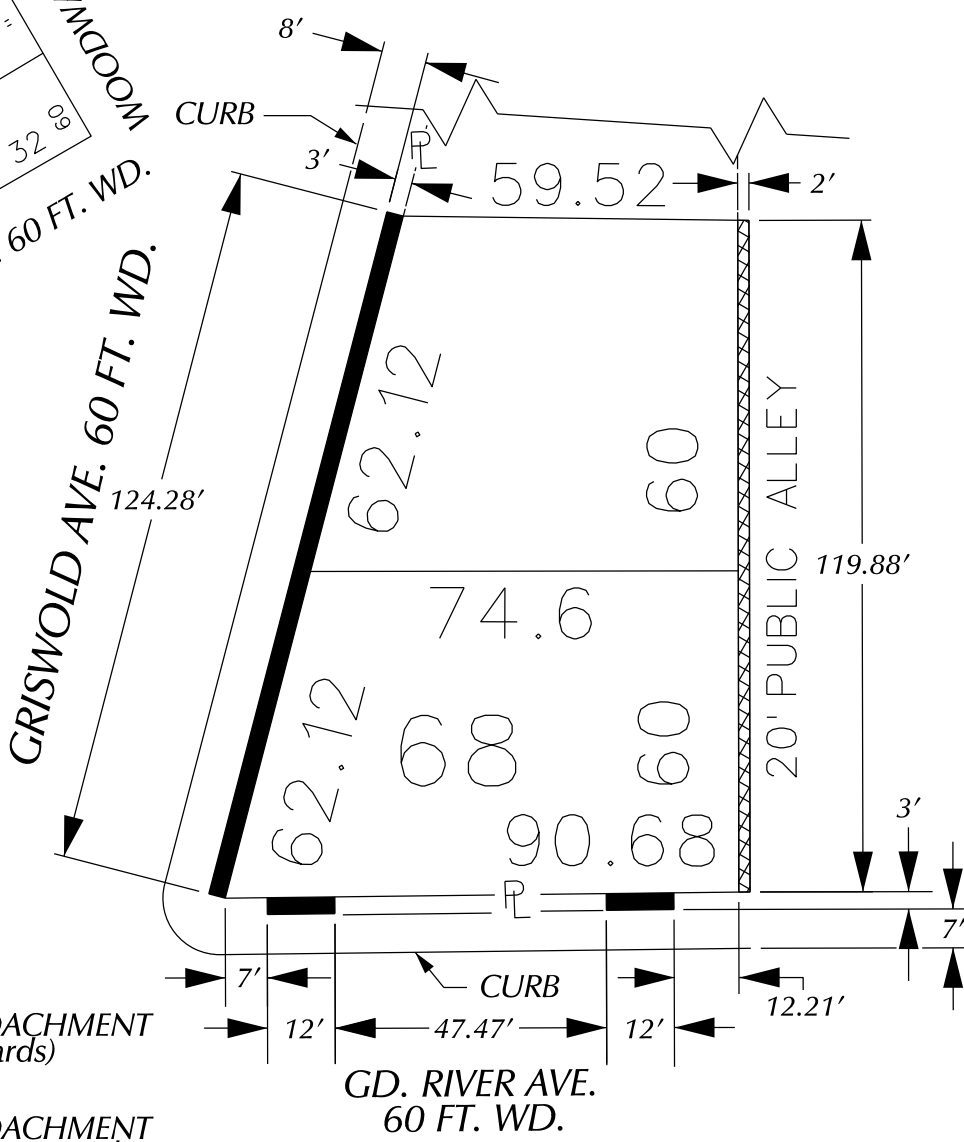
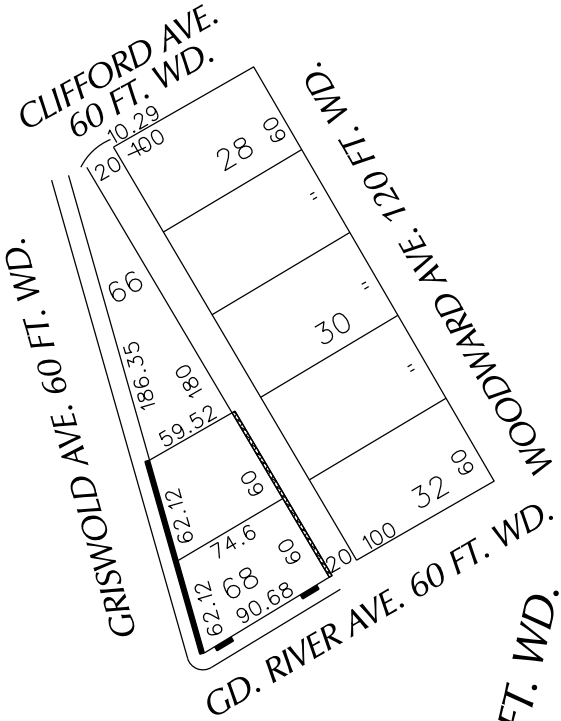
By

Title

Date

Area code – Telephone number

PETITION NO. 980
 GIFFELS WEBSTER
 28 W. ADAMS AVE., SUITE 1200
 DETROIT, MICHIGAN 48226
 C/O DEIRDRE CLEIN
 PHONE NO. 313 962-4442



- REQUEST ENCROACHMENT
 (With Bollards)



- REQUEST ENCROACHMENT
 (With Canopies ± 9' High)

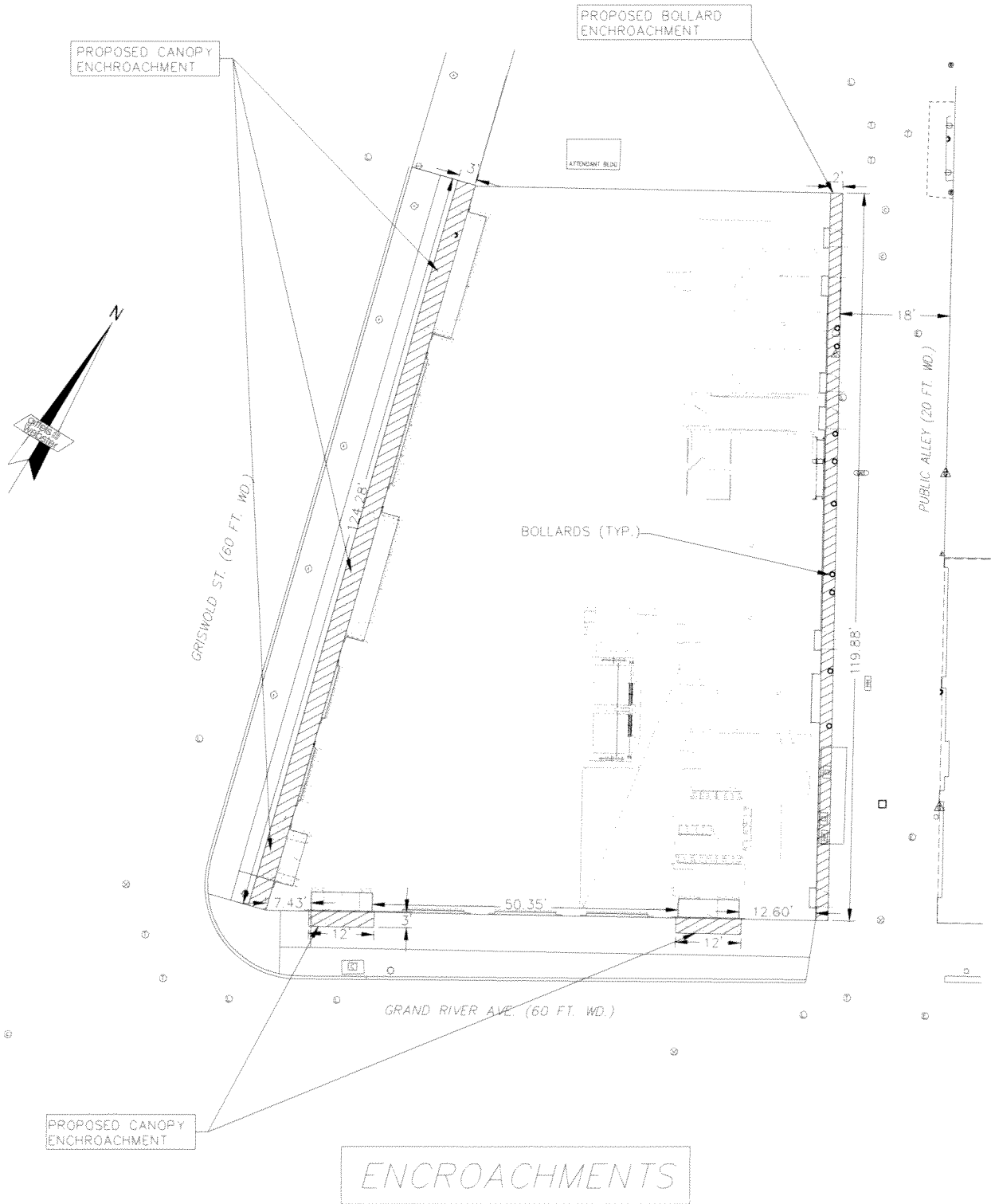
(FOR OFFICE USE ONLY)

CARTO 28 B

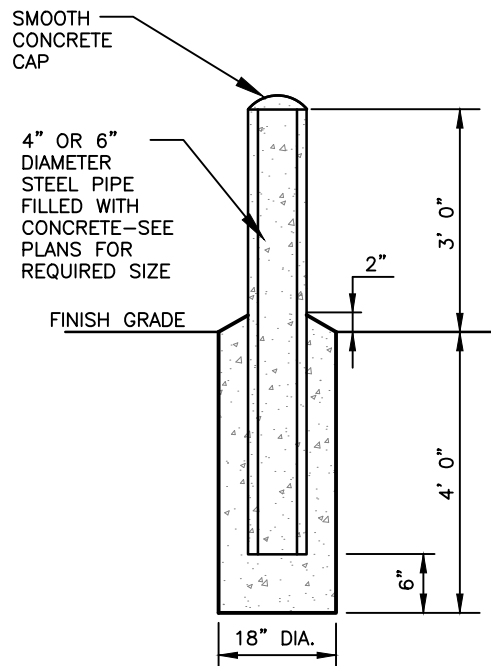
B					
A					
DESCRIPTION		DRWN	CHKD	APPD	DATE
REVISIONS					
DRAWN BY	WLW	CHECKED			
DATE	02-25-16	APPROVED			

REQUEST ENCROACHMENT
 INTO GRISWOLD AND G.D. RIVER AVE.
 AT 28 W. G.D. RIVER AVE.
 (With Canopies)
 AND A PORTION OF THE NORTH/SOUTH PUBLIC ALLEY
 (With Bollards)
 BETWEEN G.D. RIVER AND CLIFFORD AVE.

CITY OF DETROIT CITY ENGINEERING DEPARTMENT SURVEY BUREAU	
JOB NO.	01-01
DRWG. NO.	X 980



ENCROACHMENTS



NOTE:

1. USE GALVANIZED STEEL PIPE (2.0 oz ZINC per sft) WITH A MINIMUM $\frac{3}{8}$ " WALL THICKNESS.
2. USE MDOT 35P CONCRETE.

PROVISIONS FOR ENCROACHMENT For Petition 980

Detroit Water and Sewerage (DWSD) agree to the proposed encroachment subject to the fulfilling of the following provisions:

1. By approval of this petition the (DWSD) does not waive any of its rights to its facilities located in the right of way, and at all time, DWSD, its agents or employees, shall have the right to enter upon the right of way to maintain, repair, alter, service, inspect, or install its facilities. All costs incident to the damaging, dismantling, demolishing, removal and replacement of structures or other improvements herein permitted and incurred in gaining access to DWSD's facilities for maintenance, repairing, alteration, servicing or inspection caused by the encroachment shall be borne by the petitioner. All costs associated with gaining access to DWSD's facilities, which could normally be expected had the petitioner not encroached into the right of way shall be borne by DWSD.
2. All construction performed under this petition shall not be commenced until after five (5) days written notice to DWSD. Seventy-two (72) hours notice shall also be provided in accordance with P.A. 53 1974, as amended, utilizing the MISS DIG one call system.
3. Construction under this petition is subject to inspection and approval by DWSD forces. The cost of such inspection shall, at the discretion of DWSD, be borne by the petitioner.
4. If DWSD facilities located within the right of way shall break or be damaged as the result of any action on the part of the petitioner, then in such event the petitioner agrees to be liable for all costs incident to the repair, replacement or relocation of such broken or damaged DWSD facilities.
5. The petitioner shall hold DWSD harmless for any damage to the encroaching device constructed or installed under this petition, which may be caused by the failure of DWSD's facilities.



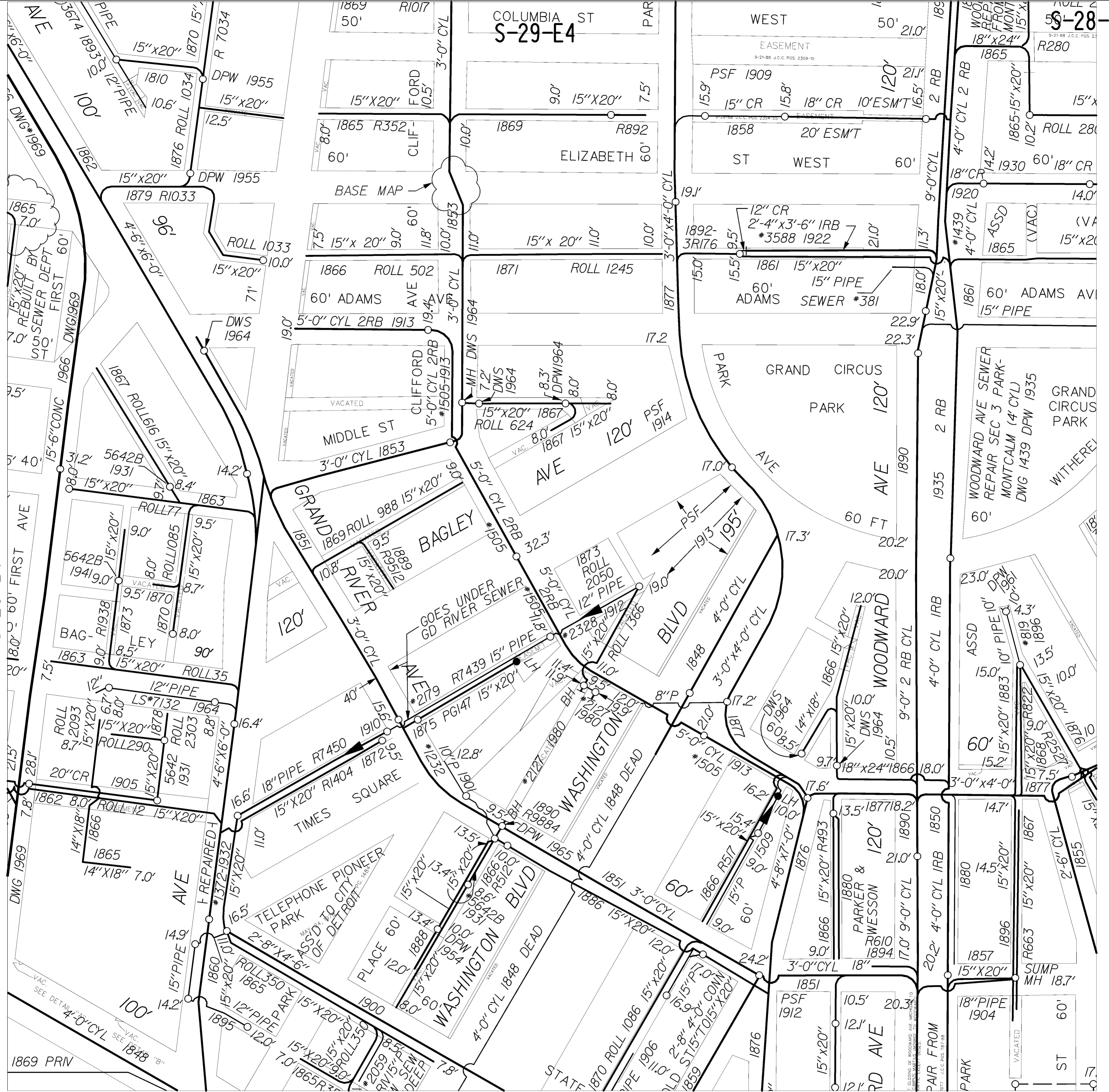
20-J-1



WATER MAP		CITY OF DETROIT													
SCALE: 1" = 150'	DWSD SEC. MAP NUMBER:	NOTES:													
0 150 300	20-J-3	<table border="1"> <tr> <td>NAME</td> <td>DATE</td> </tr> <tr> <td>DIGITIZED BY: CEA, INC.</td> <td>11-12-96</td> </tr> <tr> <td>CHECKED BY: DWSD</td> <td>11-12-96</td> </tr> <tr> <td>LOG</td> <td></td> </tr> <tr> <td>REVISED THRU:</td> <td></td> </tr> <tr> <td>PRINT DATE:</td> <td>12-7-98</td> </tr> </table>		NAME	DATE	DIGITIZED BY: CEA, INC.	11-12-96	CHECKED BY: DWSD	11-12-96	LOG		REVISED THRU:		PRINT DATE:	12-7-98
NAME	DATE														
DIGITIZED BY: CEA, INC.	11-12-96														
CHECKED BY: DWSD	11-12-96														
LOG															
REVISED THRU:															
PRINT DATE:	12-7-98														



STATE PLANE



S-28-B4



SEWER MAP		CITY OF DETROIT													
SCALE: 1" = 100'	DWSD SEC. MAP NUMBER:	NOTES:													
S-28-B2															
		<table border="1"> <tr> <td>NAME</td> <td>DATE</td> </tr> <tr> <td>DIGITIZED BY: CEA, INC.</td> <td>09-26-96</td> </tr> <tr> <td>CHECKED BY: DWSD</td> <td>09-26-96</td> </tr> <tr> <td>LOG</td> <td></td> </tr> <tr> <td>REVISED THRU:</td> <td>12-31-03</td> </tr> <tr> <td>PRINT DATE:</td> <td>01-21-99</td> </tr> </table>		NAME	DATE	DIGITIZED BY: CEA, INC.	09-26-96	CHECKED BY: DWSD	09-26-96	LOG		REVISED THRU:	12-31-03	PRINT DATE:	01-21-99
NAME	DATE														
DIGITIZED BY: CEA, INC.	09-26-96														
CHECKED BY: DWSD	09-26-96														
LOG															
REVISED THRU:	12-31-03														
PRINT DATE:	01-21-99														

