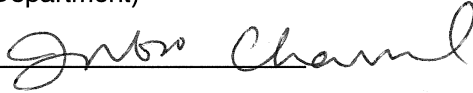


TO: City Engineering Division, DPW
900 Cadillac Tower Building
65 Cadillac Square
Detroit, Michigan 48226-2873
Survey Bureau: 313-224-3970
Fax: 313-224-3471

Ref. No. 201703033
Petition No. 1366

- () Involved; but asking you to hold action on this petition until further notice.
- () Involved; but no objections to the property change – provided an easement of the full width of the public right-of-way (street, alley or other public place) is reserved.
- () Involved; the nature of our services, and the estimated costs of removing and/or rerouting such services are:
- (x) Involved, have no objection to the request for encroachment into Woodward at 660 Woodward Ave. (with Outdoor Café-Shake Shack) as shown on drawing no. x1366 dated 3/28/2017 and drawing no. A-1 provided that a minimum 6.5 ft wide clear, unobstructed sidewalk shall be maintained for pedestrian traffic in front of the outdoor seating area at all times.

Traffic Engineering Division - DPW
(Utility or City Department)

for Ashok Patel 
By

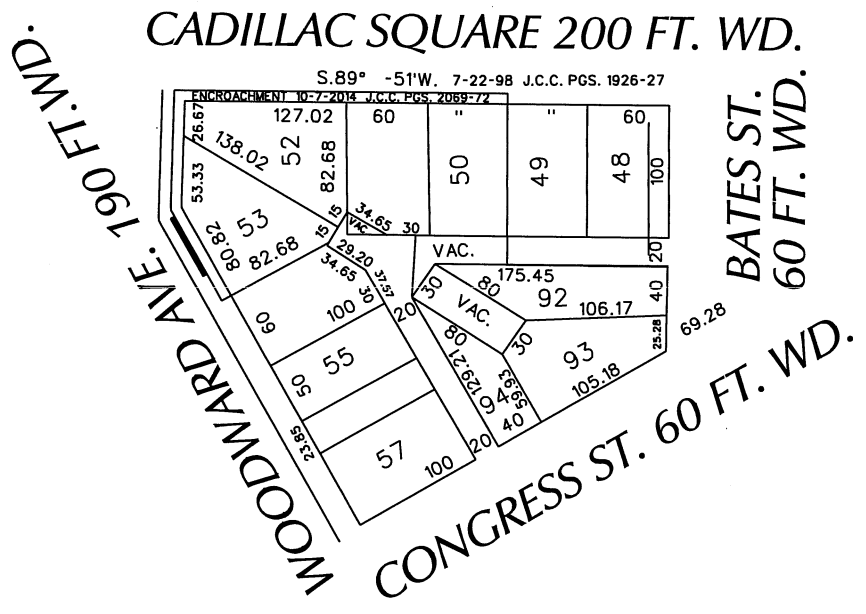
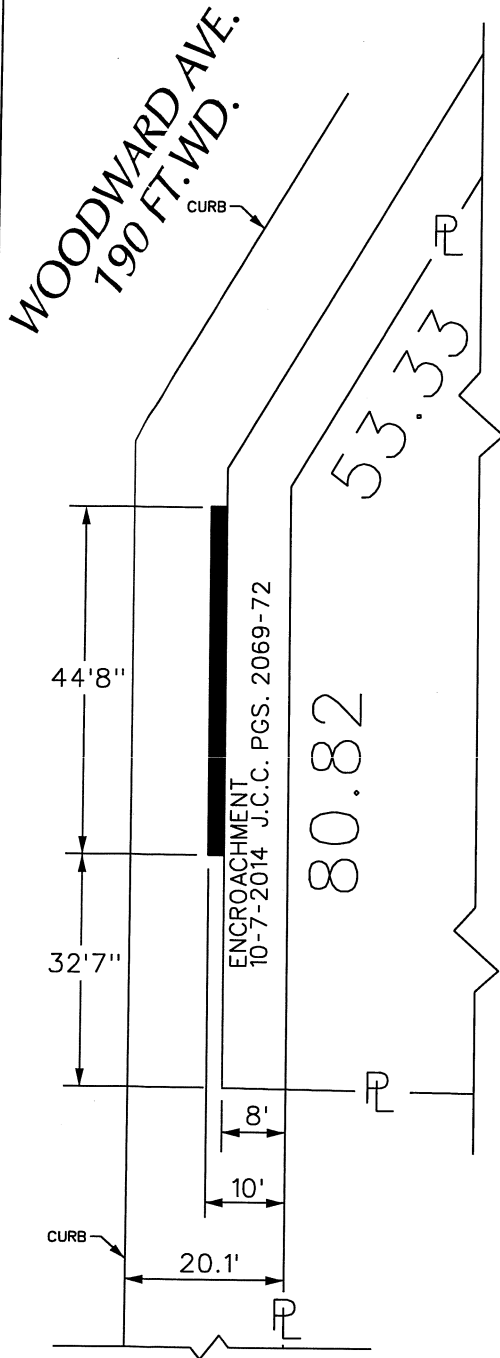
City Traffic Engineer
Title

April 18, 2017
Date

313 224-1610
Area code-Telephone number

MA/ma

PETITION NO. 1366
 SHAKE SHACK
 660 WOODWARD AVE. SUITE 5A
 DETROIT, MICHIGAN 48226
 C/O TY JACKSON
 PHONE NO. 646 747-3444



- AREA OF ENCROACHMENT
 (With Outdoor Seating)

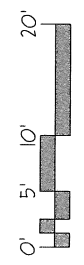
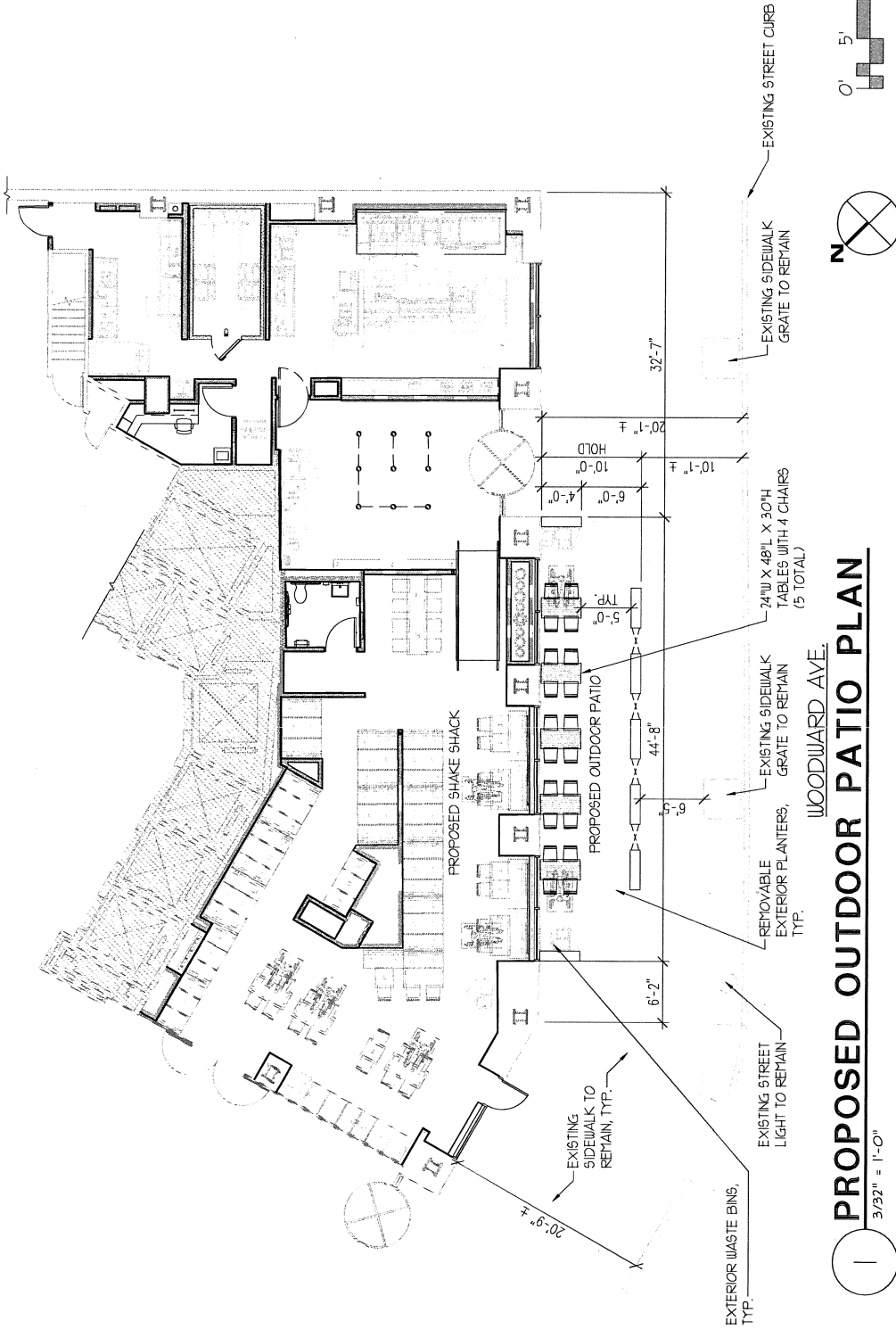
(FOR OFFICE USE ONLY)

CARTO 28 F

B					
A					
DESCRIPTION	DRWN	CHKD	APPD	DATE	
REVISIONS					
DRAWN BY	CHECKED				
DATE	APPROVED				
03-28-17					

REQUEST ENCROACHMENT
 INTO WOODWARD
 AT 660 WOODWARD AVE.
 (With Outdoor Cafe)

CITY OF DETROIT	
CITY ENGINEERING DEPARTMENT	
SURVEY BUREAU	
JOB NO.	01-01
DRWG. NO.	X 1366



PROPOSED OUTDOOR PATIO PLAN

3/32" = 1'-0"

DRAWN BY:	BK	CHKD BY:	--
SCALE:	AS NOTED		
DATE:	03/13/2017		
JOB NUMBER	163273	SHEET	A1

DESCRIPTION: PROPOSED OUTDOOR PATIO MOVABLE FURNITURE AND PLANTERS	
JOB NAME: SHAKE SHACK - DETROIT, MI	

Aria Group Architects Inc.
 890 North Blvd.
 Oak Park, Illinois 60301
 708.445.0400
 708.445.1788 Fax