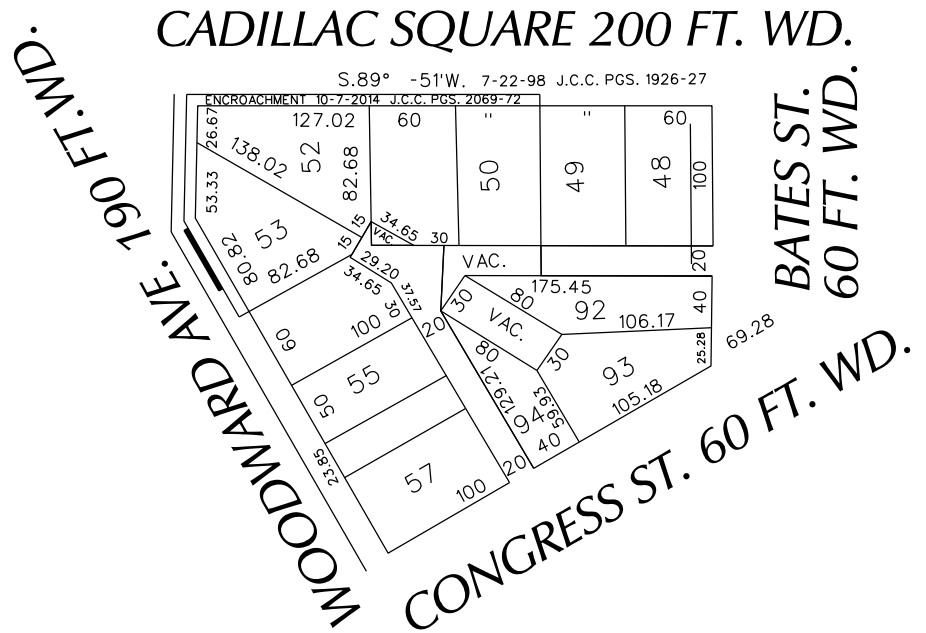
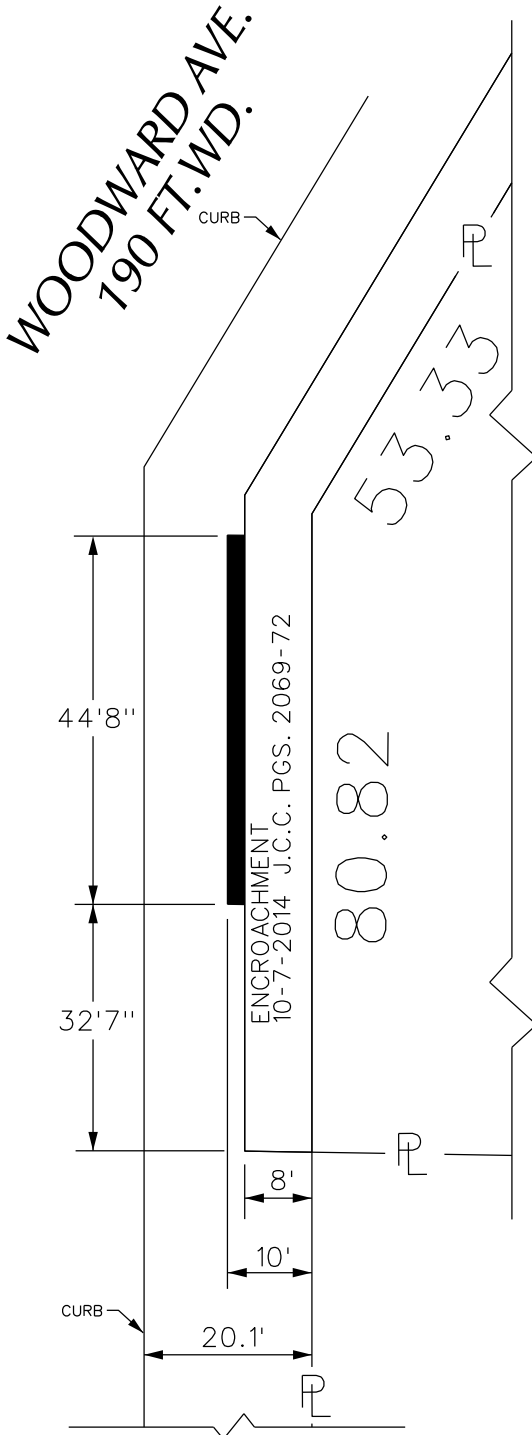


PETITION NO. 1366
 SHAKE SHACK
 660 WOODWARD AVE. SUITE 5A
 DETROIT, MICHIGAN 48226
 C/O TY JACKSON
 PHONE NO. 646 747-3444



 - AREA OF ENCROACHMENT
 (With Outdoor Seating)

(FOR OFFICE USE ONLY)

CARTO 28 F

REQUEST ENCROACHMENT
 INTO WOODWARD
 AT 660 WOODWARD AVE.
 (With Outdoor Cafe)

CITY OF DETROIT
 CITY ENGINEERING DEPARTMENT
 SURVEY BUREAU

JOB NO. 01-01

DRWG. NO. X 1366

B					
A					
	DESCRIPTION	DRWN	CHKD	APPD	DATE
REVISIONS					
	DRAWN BY	CHECKED			
	DATE	APPROVED			
	03-28-17				