


TO: City Engineering Division, DPW
2 Woodward Ave., Suite 642
Detroit, MI 48226-3462
Survey Bureau: 313-224-3970

Ref. No. 201611012
Petition No. 1317

The proposed change in property (referred to above) would affect our services as follows:

- () Not Involved.
- () Involved; but asking you to hold action on this petition until further notice.
- () Involved; the nature of our services, and the estimated costs of removing and/or rerouting such services are:
- (X) Involved; have no objection to the requested encroachment into Woodward Ave. and State St. at 1001 Woodward; Woodward Ave. (with café seating) , State St. (with canopies) as shown on drawing no. x1317 dated 11/04/16 provided that the following conditions are met:
 - (1) A minimum clear sidewalk width of 6 ft shall be provided adjacent to the proposed outdoor seating area for use by pedestrians at all times.
 - (2) The petitioner shall be responsible to seek approval from impacted stakeholders for the outdoor café seating.
 - (3) The petitioner is required to provide details of the layout of awnings and outdoor café seating for review and approval by Traffic Engineering Division prior to installation.

Traffic Engineering Division - DPW
(Utility or City Department)

for Ashok Patel
By 

City Traffic Engineer
Title

February 2, 2017
Date

313 224-1610
Area code-Telephone number

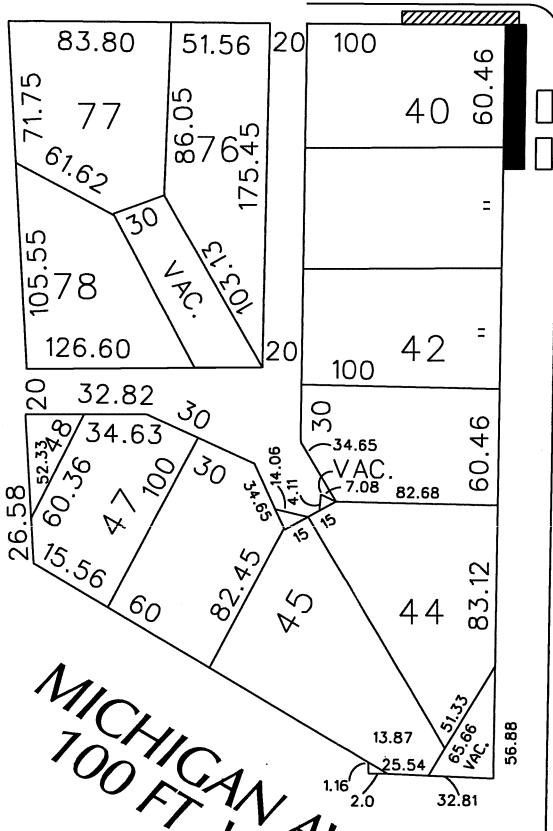
MA/ma

PETITION NO. 1317
 GIFFELS WEBSTER
 28 W. ADAMS, SUITE 1200
 DETROIT, MICHIGAN 48226
 C/O DEIRDRE CLEIN
 PHONE NO. 313 962-4442



STATE ST. 60 FT. WD.

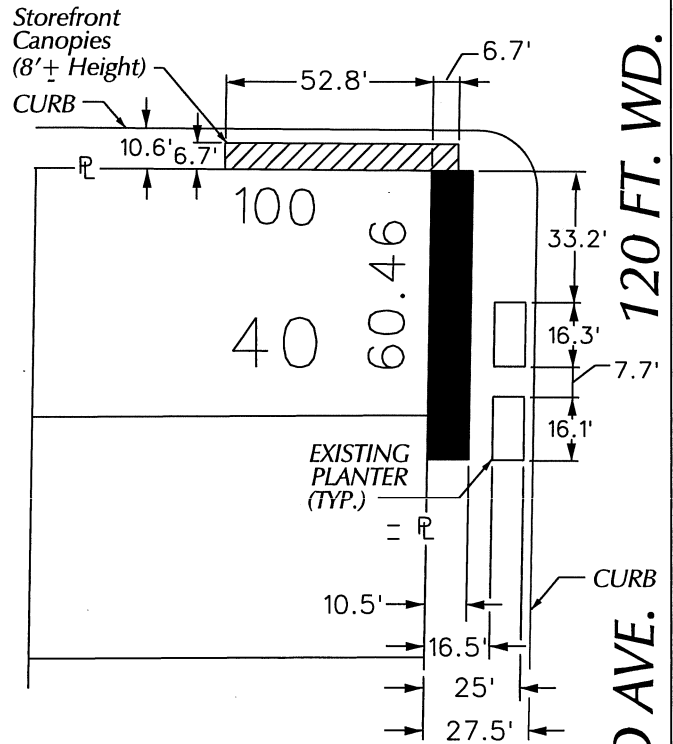
GRISWOLD AVE. 90 FT. WD.



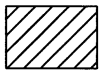
MICHIGAN AVE.
 100 FT. WD.

STATE ST. 60 FT. WD.

WOODWARD AVE. 120 FT. WD.



WOODWARD AVE. 120 FT. WD.



- REQUEST ENCROACHMENT
 (With Canopies)



- REQUEST ENCROACHMENT
 (With Cafe Seating)

(FOR OFFICE USE ONLY)

CARTO 28 B

B					
A					
	DESCRIPTION	DRWN	CHKD	APPD	DATE
	REVISIONS				
	DRAWN BY	CHECKED			
	DATE	APPROVED			
	11-04-16				

REQUEST ENCROACHMENT
 INTO WOODWARD AVE. AND STATE ST.
 AT 1001 WOODWARD
 WOODWARD AVE.
 (With Cafe Seating)
 STATE ST.
 (With Canopies)

CITY OF DETROIT CITY ENGINEERING DEPARTMENT SURVEY BUREAU	
JOB NO.	01-01
DRWG. NO.	X 1317