

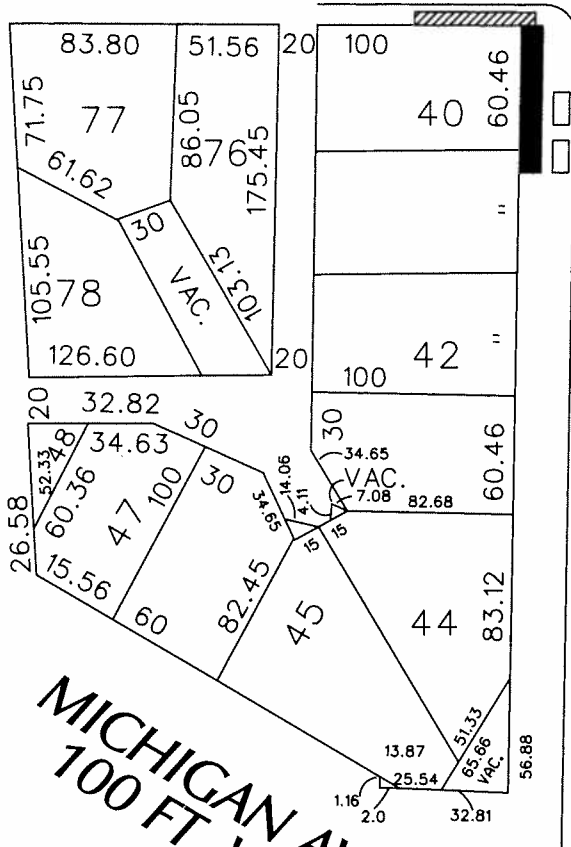
PETITION NO. 1317  
 GIFFELS WEBSTER  
 28 W. ADAMS, SUITE 1200  
 DETROIT, MICHIGAN 48226  
 C/O DEIRDRE CLEIN  
 PHONE NO. 313 962-4442



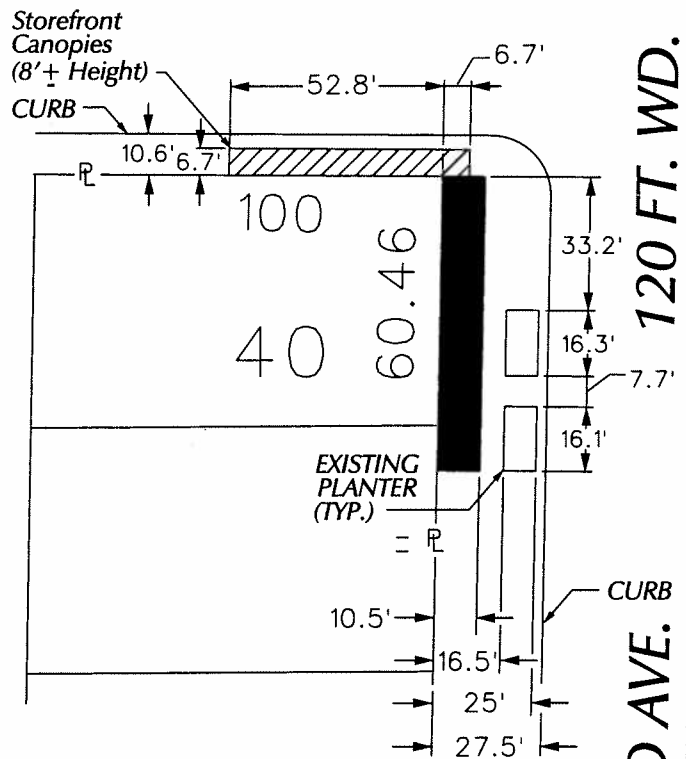
STATE ST. 60 FT. WD.

STATE ST. 60 FT. WD.

GRISWOLD AVE. 90 FT. WD.



WOODWARD AVE. 120 FT. WD.



WOODWARD AVE. 120 FT. WD.



- REQUEST ENCROACHMENT  
 (With Canopies)



- REQUEST ENCROACHMENT  
 (With Cafe Seating)

(FOR OFFICE USE ONLY)

CARTO 28 B

|             |          |          |      |      |      |
|-------------|----------|----------|------|------|------|
| B           |          |          |      |      |      |
| A           |          |          |      |      |      |
| DESCRIPTION |          | DRWN     | CHKD | APPD | DATE |
| REVISIONS   |          |          |      |      |      |
| DRAWN BY    | WLW      | CHECKED  |      |      |      |
| DATE        | 11-04-16 | APPROVED |      |      |      |

REQUEST ENCROACHMENT  
 INTO WOODWARD AVE. AND STATE ST.  
 AT 1001 WOODWARD  
 WOODWARD AVE.  
 (With Cafe Seating)  
 STATE ST.  
 (With Canopies)

|  |        |
|--|--------|
| CITY OF DETROIT<br>CITY ENGINEERING DEPARTMENT |        |
| SURVEY BUREAU                                  |        |
| JOB NO.  | 01-01  |
| DRWG. NO.                                      | X 1317 |

City of Detroit  
**City Engineering Division, Department of Public Works  
Survey Bureau**

**NOTICE OF PROPOSED CHANGE IN PROPERTY**

Date: 11/04/2016

Petition: x1317

- |  |  |
|--|--|
| <input type="checkbox"/> AT&T Telecommunication            |  |
| <input type="checkbox"/> Comcast Television (CATV)         | <input type="checkbox"/> Berm Use                |
| <input type="checkbox"/> Detroit Edison (DTE)              |  |
| <input type="checkbox"/> Fire Department                   | <input type="checkbox"/> Conversion to Easement  |
| <input type="checkbox"/> Great Lakes Water Authority       |  |
| <input type="checkbox"/> Michcon (DTE)                     | <input type="checkbox"/> Dedication              |
| <input type="checkbox"/> Planning & Development Department |  |
| <input type="checkbox"/> Public Lighting Authority         | <input checked="" type="checkbox"/> Encroachment |
| <input type="checkbox"/> Public Lighting Department        |  |
| <input type="checkbox"/> Police Department                 | <input type="checkbox"/> Temporary Closing       |
| <input type="checkbox"/> Solid Waste Division, DPW         |  |
| <input type="checkbox"/> Street Design Bureau, DPW         | <input type="checkbox"/> Vacation                |
| <input type="checkbox"/> Street Maintenance Division, DPW  |  |
| <input type="checkbox"/> Traffic Engineering Division, DPW |  |
| <input type="checkbox"/> Water and Sewerage Department     |  |
| <input type="checkbox"/> _____                             |  |

A petition drawing is attached. Property shown on the attached print is proposed to be changed as indicated. Kindly report (using the back of this sheet) the nature of your services, if any affected by the proposed change and the estimated costs of removing and rerouting such services (if necessary).

Please return one copy to City Engineering Division, DPW within two weeks of the submittal date. Retain one copy and print for you file.

Ron Brundidge, Director, Department of Public Works

By: Richard Doherty, CED DPW  
City Engineer

TO: City Engineering Division, DPW  
2 Woodward Ave., Suite 642  
Detroit, Michigan 48226-3462  
Survey Bureau: 313-224-3970

Petition: x1317

The proposed change in property (referred to on the other side of this sheet) would affect our services as follows:

- Not Involved
- Involved; but asking you to hold action on this petition until further notice.
- Involved; but no objections to the property change.
- Involved; but no objections to the property change... provided as easement of the full width of the public right-of-way (street, alley or other public place) is reserved.
- Involved; the nature of our services and the estimated costs of removing and/or rerouting such services are:

AT&T  
(Utility or City Department)

DEREK BULKLEY  
By

DESIGN ENGINEER  
Title

11/7/16  
Date

(313) 240-5480  
Area code - Telephone number