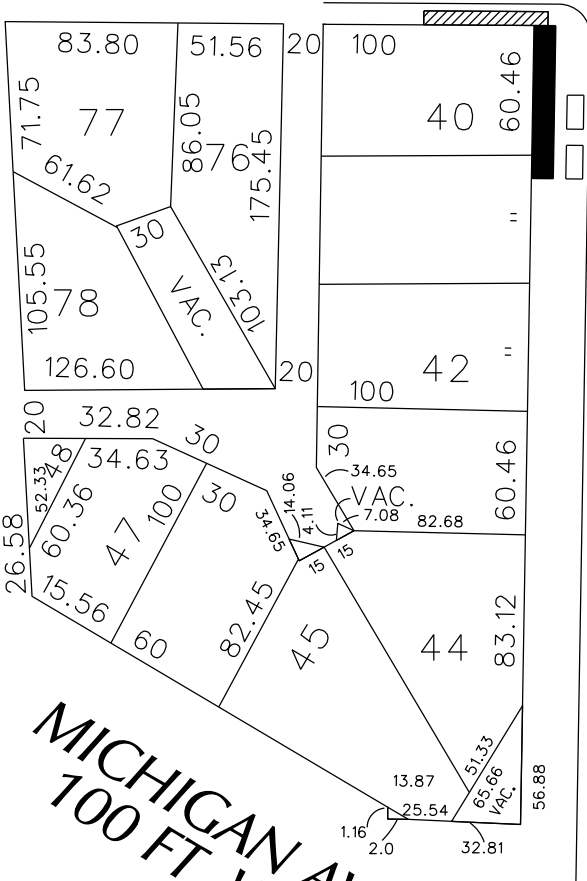


PETITION NO. 1317
 GIFFELS WEBSTER
 28 W. ADAMS, SUITE 1200
 DETROIT, MICHIGAN 48226
 C/O DEIRDRE CLEIN
 PHONE NO. 313 962-4442



STATE ST. 60 FT. WD.

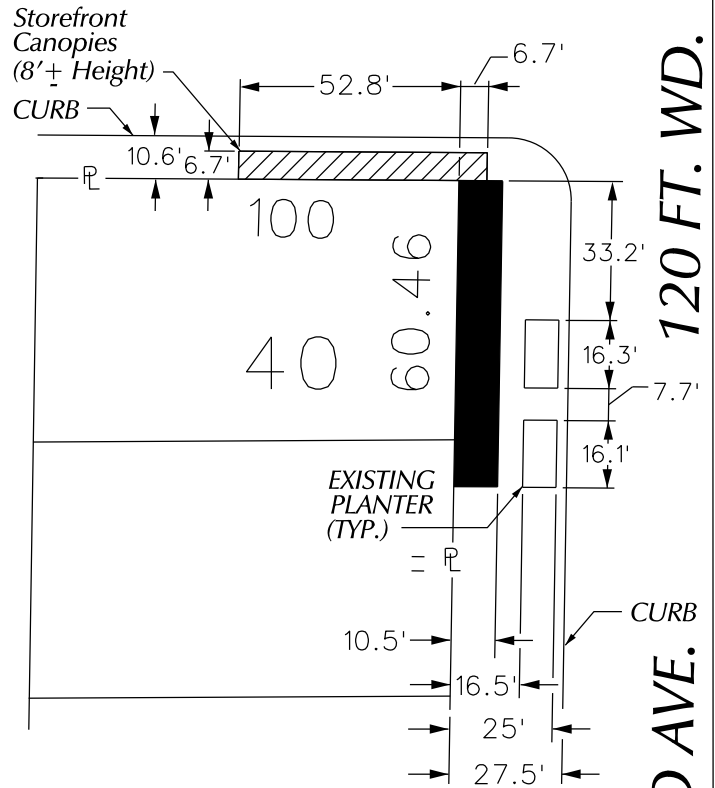
GRISWOLD AVE. 90 FT. WD.



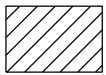
MICHIGAN AVE.
 100 FT. WD.

WOODWARD AVE. 120 FT. WD.

STATE ST. 60 FT. WD.



WOODWARD AVE. 120 FT. WD.



- REQUEST ENCROACHMENT
 (With Canopies)



- REQUEST ENCROACHMENT
 (With Cafe Seating)

(FOR OFFICE USE ONLY)

CARTO 28 B

REQUEST ENCROACHMENT
 INTO WOODWARD AVE. AND STATE ST.
 AT 1001 WOODWARD
 WOODWARD AVE.
 (With Cafe Seating)
 STATE ST.
 (With Canopies)

CITY OF DETROIT
 CITY ENGINEERING DEPARTMENT
 SURVEY BUREAU

JOB NO. 01-01

DRWG. NO. X 1317

B					
A					
DESCRIPTION	DRWN	CHKD	APPD	DATE	
REVISIONS					
DRAWN BY	WLW	CHECKED			
DATE	11-04-16	APPROVED			