

TO: City Engineering Division, DPW
2 Woodward Ave., Suite 642
Detroit, Michigan 48226-3462
Survey Bureau: 313-224-3970

Petition: x1270

The proposed change in property (referred to on the other side of this sheet) would affect our services as follows:

- Not Involved
Encroachment requested for railing, outdoor seating and a canopy on the southeast corner of Lafayette Ave. and Third Ave.
- Involved; but asking you to hold action on this petition until further notice.
- Involved; but no objections to the property change.
- Involved; but no objections to the property change...provided as easement of the full width of the public right-of-way (street, alley or other public place) is reserved.
- Involved; the nature of our services and the estimated costs of removing and/or rerouting such services are:

Planning & Development Department

(Utility or City Department)



By

Greg Moots-Lead Planner-Office of Zoning Innovation

Title

9/27/16

Date

313-224-1358

Area code – Telephone number

City of Detroit
City Engineering Division, Department of Public Works
Survey Bureau

NOTICE OF PROPOSED CHANGE IN PROPERTY

Date: 09/22/2016

Petition: x1270

- | | |
|---|--|
| <input type="checkbox"/> AT&T Telecommunication | <input type="checkbox"/> Berm Use |
| <input type="checkbox"/> Comcast Television (CATV) | <input type="checkbox"/> Conversion to Easement |
| <input type="checkbox"/> Detroit Edison (DTE) | <input type="checkbox"/> Dedication |
| <input type="checkbox"/> Fire Department | <input checked="" type="checkbox"/> Encroachment |
| <input type="checkbox"/> Great Lakes Water Authority | <input type="checkbox"/> Temporary Closing |
| <input type="checkbox"/> Michcon (DTE) | <input type="checkbox"/> Vacation |
| <input checked="" type="checkbox"/> Planning & Development Department | |
| <input type="checkbox"/> Public Lighting Authority | |
| <input type="checkbox"/> Public Lighting Department | |
| <input type="checkbox"/> Police Department | |
| <input type="checkbox"/> Solid Waste Division, DPW | |
| <input type="checkbox"/> Street Design Bureau, DPW | |
| <input type="checkbox"/> Street Maintenance Division, DPW | |
| <input type="checkbox"/> Traffic Engineering Division, DPW | |
| <input type="checkbox"/> Water and Sewerage Department | |
| <input type="checkbox"/> _____ | |

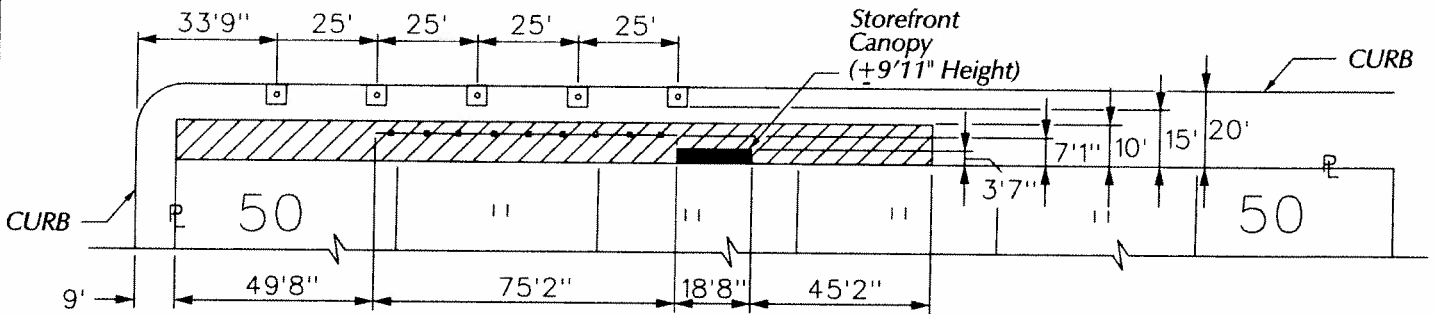
A petition drawing is attached. Property shown on the attached print is proposed to be changed as indicated. Kindly report (using the back of this sheet) the nature of your services, if any affected by the proposed change and the estimated costs of removing and rerouting such services (if necessary).

Please return one copy to City Engineering Division, DPW within two weeks of the submittal date. Retain one copy and print for you file.

Ron Brundidge, Director, Department of Public Works

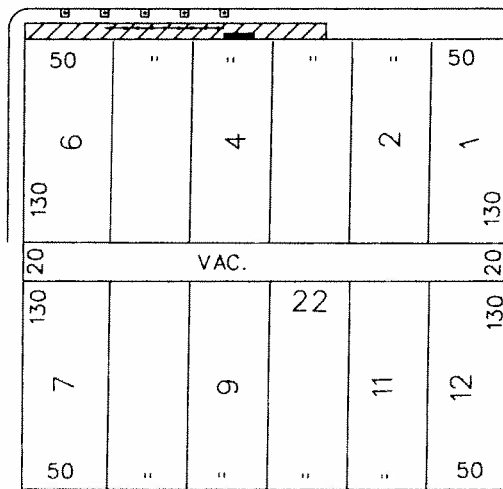
By: Richard Doherty, CED DPW
City Engineer

PETITION NO. 1270
 GIFFELS WEBSTER
 28 W. ADAMS, SUITE 1200
 DETROIT, MICHIGAN 48226
 C/O DEIRDRE CLEIN
 PHONE NO. 313 962-4442






W. LAFAYETTE AVE. 80 FT. WD.

THIRD AVE. 60 FT. WD.



SECOND AVE. 60 FT. WD.

FORT ST. 100 FT. WD.

-  - REQUEST ENCROACHMENT (With Storefront Canopy)
-  - REQUEST ENCROACHMENT (With Railing)
-  - REQUEST ENCROACHMENT (With Cafe Seating)



(FOR OFFICE USE ONLY)

CARTO 28 E

B					
A					
	DESCRIPTION	DRWN	CHKD	APPD	DATE
REVISIONS					
	DRAWN BY	CHECKED			
	DATE	APPROVED			
	WLW				
	09-22-16				

REQUEST ENCROACHMENT
 INTO W. LAFAYETTE
 AT 615 W. LAFAYETTE
 (With Storefront Canopy,
 Railing and Cafe Seating)

CITY OF DETROIT CITY ENGINEERING DEPARTMENT SURVEY BUREAU	
JOB NO.	01-01
DRWG. NO.	X 1270

