

SAROKI
ARCHITECTURE

430 N. OLD WOODWARD
BIRMINGHAM, MI 48009

P. 248.258.5707
F. 248.258.5515

SarokiArchitecture.com

Project:

615 W. Lafayette Blvd.
Detroit, MI 48226

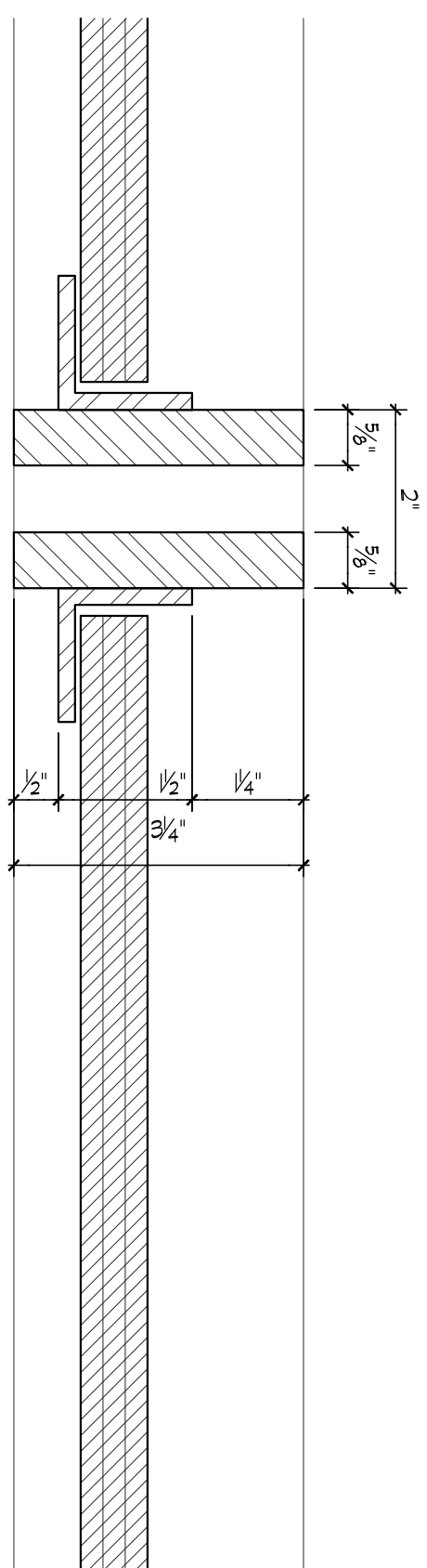
Date: **Issued For:**

09-15-2016 ENCROACHMENT REVIEW

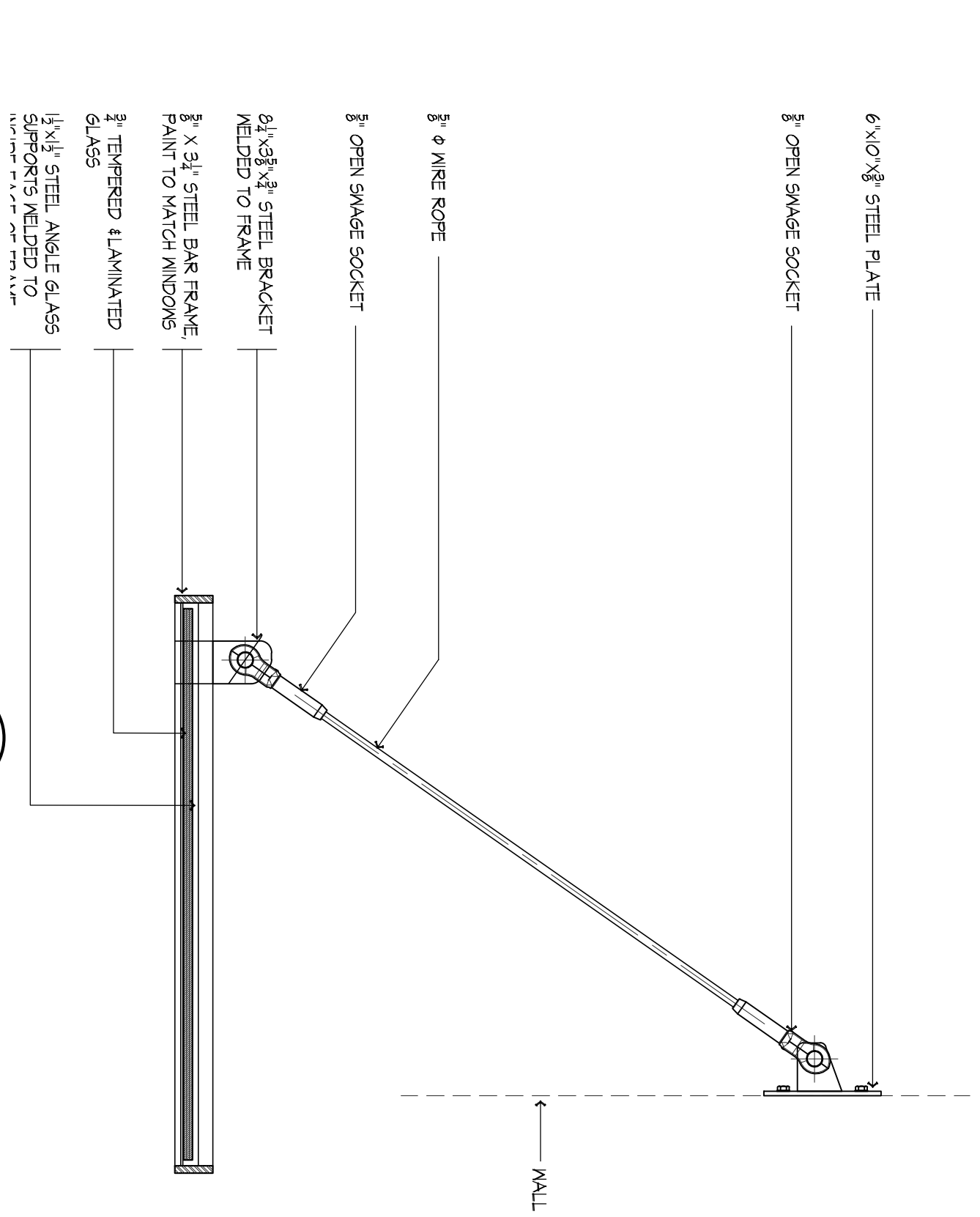
Sheet No.:

SK-008
ENTRY CANOPY

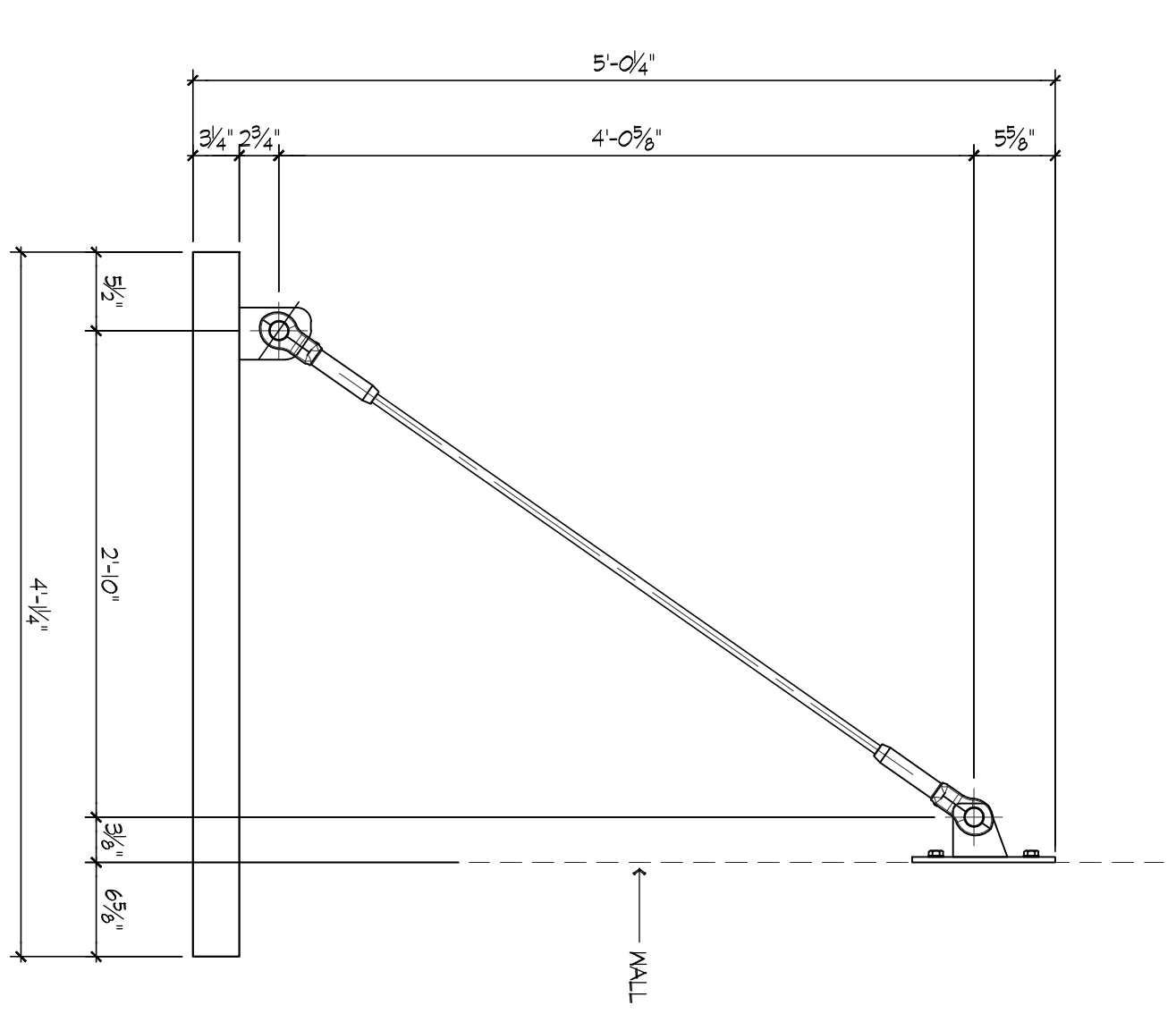
1 Entry Canopy
SK-008 SCALE: 3/4" = 1'-0"



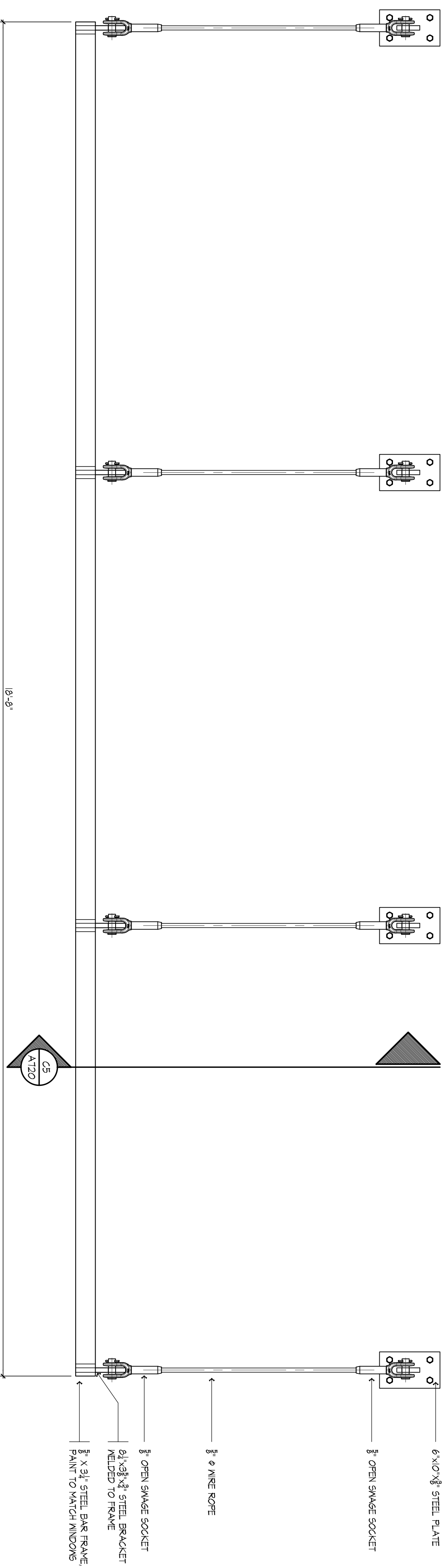
C2 Entry Canopy - Section
 A100 SCALE: 6"=1'-0"



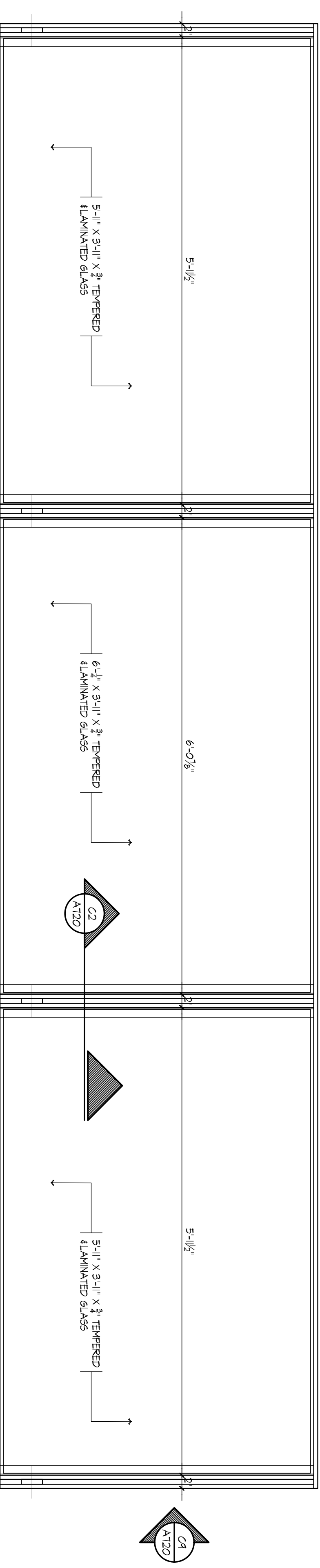
C5 Entry Canopy - Section
 A100 SCALE: 1"=1'-0"



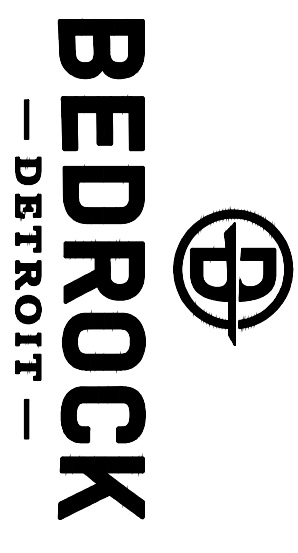
C4 Entry Canopy - Elevation
 A100 SCALE: 1"=1'-0"



F4 Entry Canopy - Elevation
 A100 SCALE: 1"=1'-0"



H4 Entry Canopy - Plan
 A100 SCALE: 1"=1'-0"



SAROKI
 ARCHITECTURE
 430 N. OLD WOODWARD
 BIRMINGHAM, MI 48009
 P. 248.258.5707
 F. 248.258.5515
 SarokiArchitecture.com

Project:
 615 W. Lafayette Boulevard
 Detroit, MI 48226

Date: Issued For:
 08-12-2016 BID SET

Sheet No.:

A720

DETAIL - ENTRY CANOPY

A
B
C
D
E
F
G
H

1 2 3 4 5 6 7 8 9 10