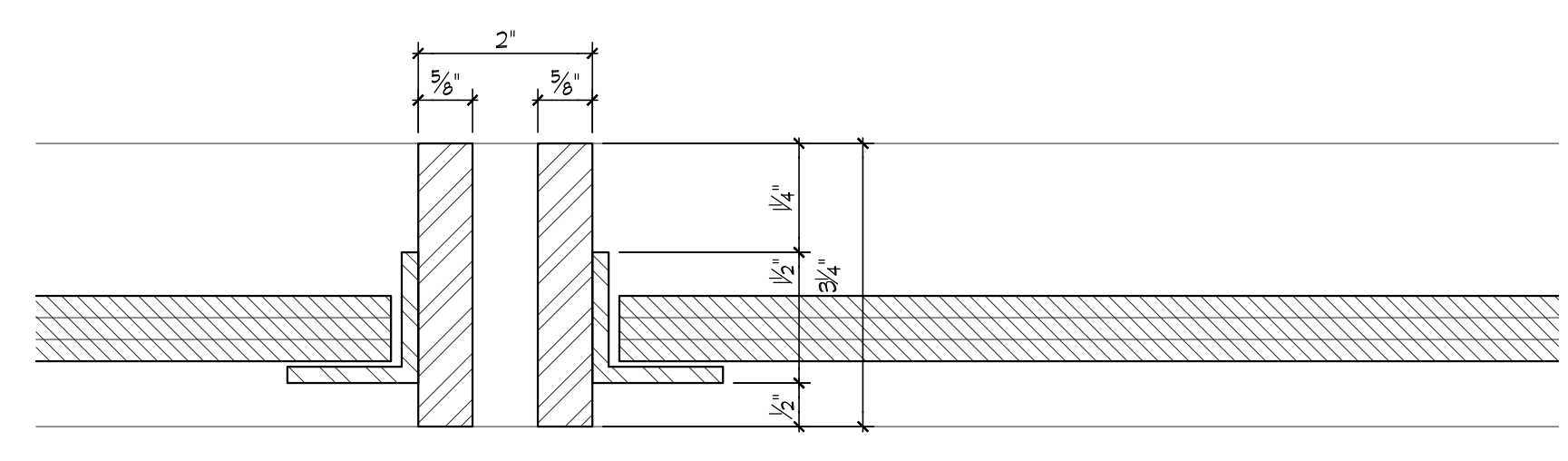
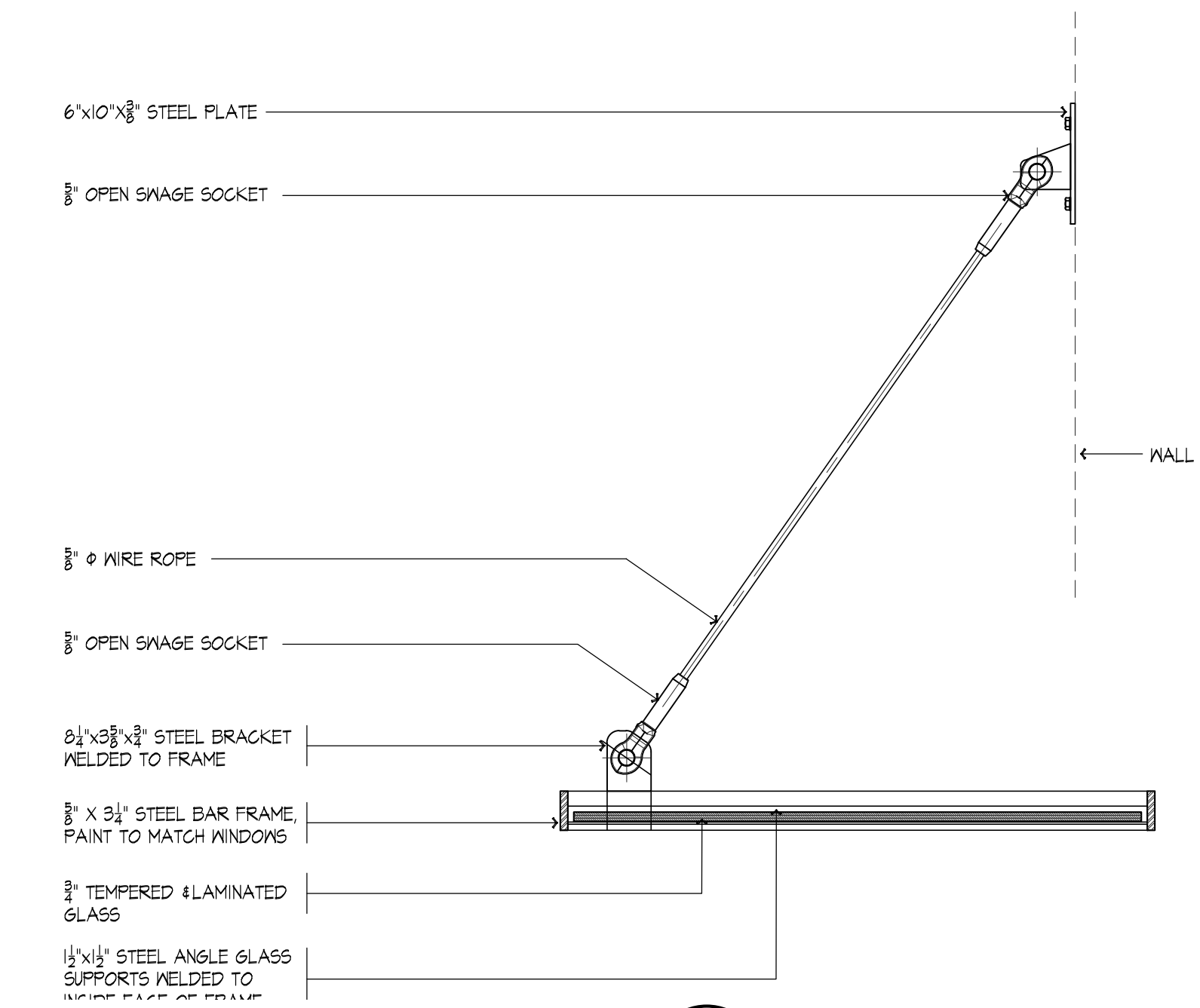


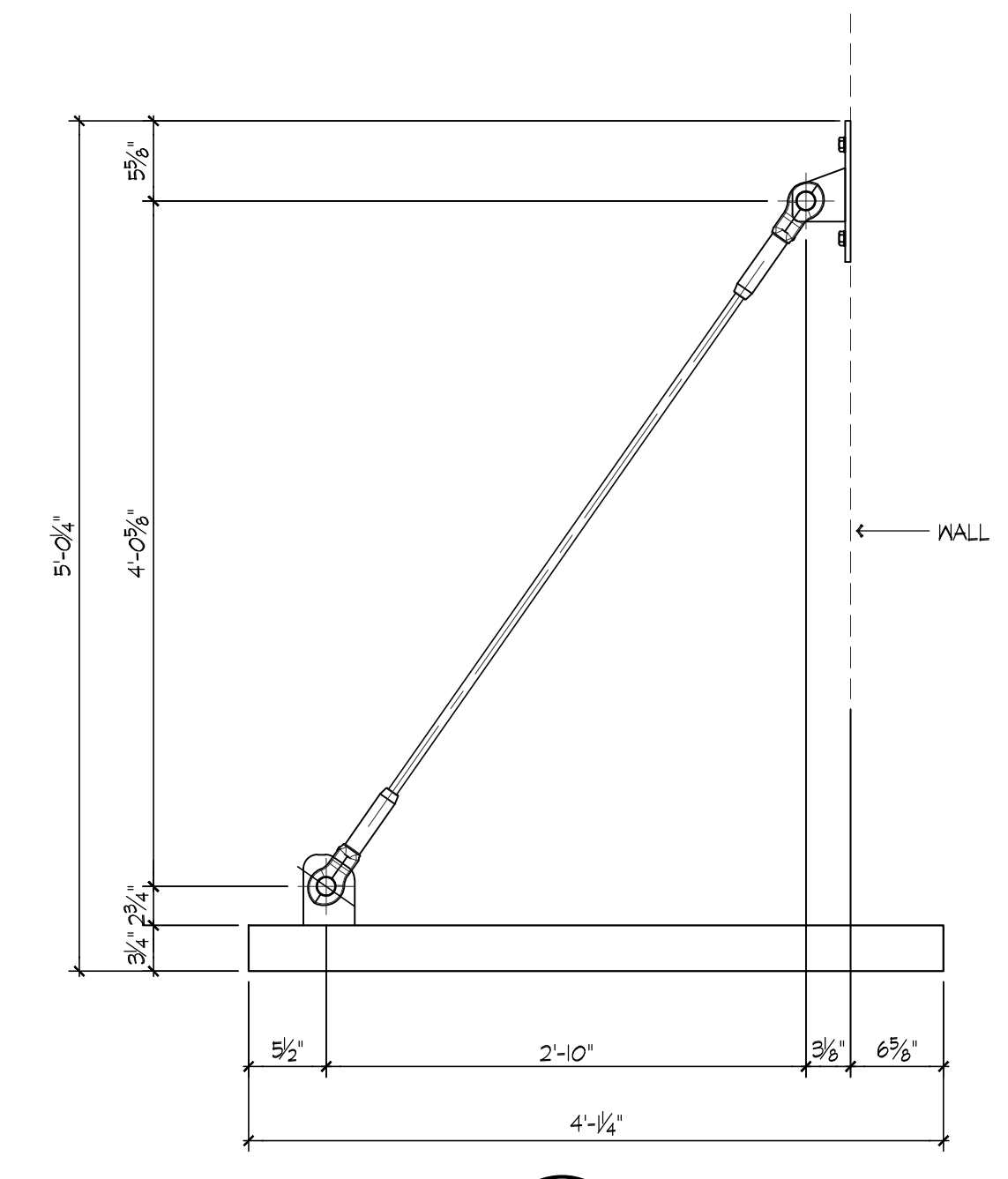
A
B
C
D
E
F
G
H



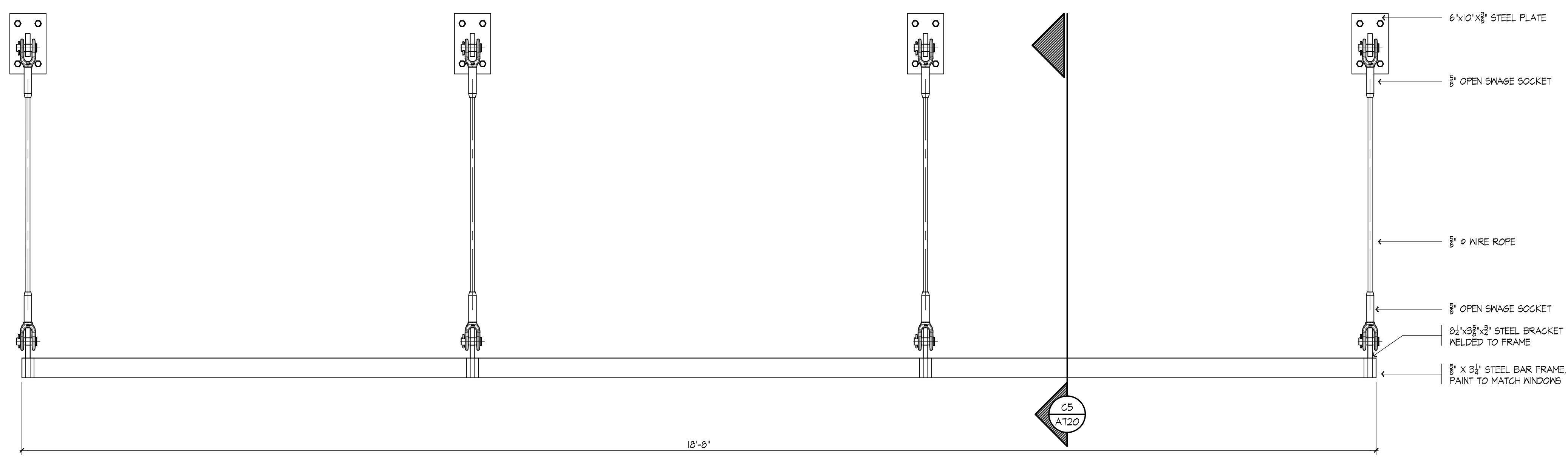
C2
A100
Entry Canopy - Section
SCALE: 6" = 1'-0"



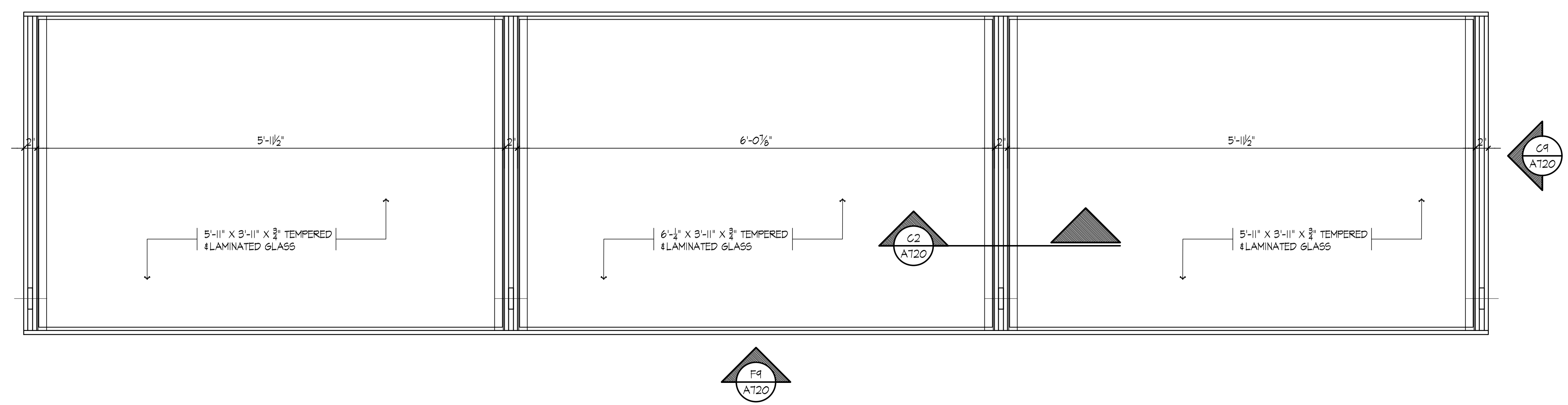
C5
A100
Entry Canopy - Section
SCALE: 1" = 1'-0"



C9
A100
Entry Canopy - Elevation
SCALE: 1" = 1'-0"



F9
A100
Entry Canopy - Elevation
SCALE: 1" = 1'-0"



H9
A100
Entry Canopy - Plan
SCALE: 1" = 1'-0"



SAROKI
ARCHITECTURE
430 N. OLD WOODWARD
BIRMINGHAM, MI 48009
P. 248.258.5707
F. 248.258.5515
SarokiArchitecture.com

Project:
615 W. Lafayette Boulevard
Detroit, MI 48226

Date: 08-12-2016
Issued For: BID SET

Sheet No.:
A720
DETAIL - ENTRY CANOPY