

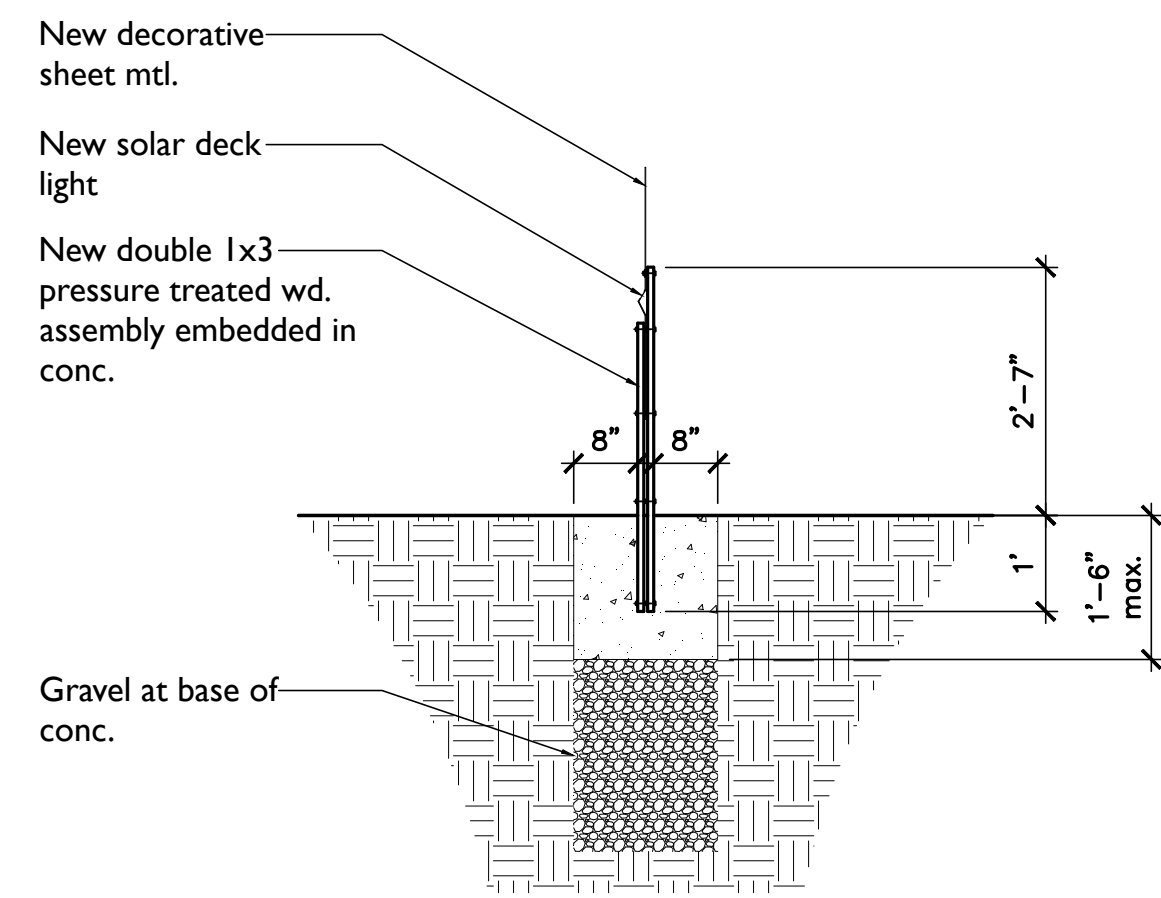




**DETROIT FIBER WORKS  
FIBER ART ON THE AVE  
INSTALLATION**

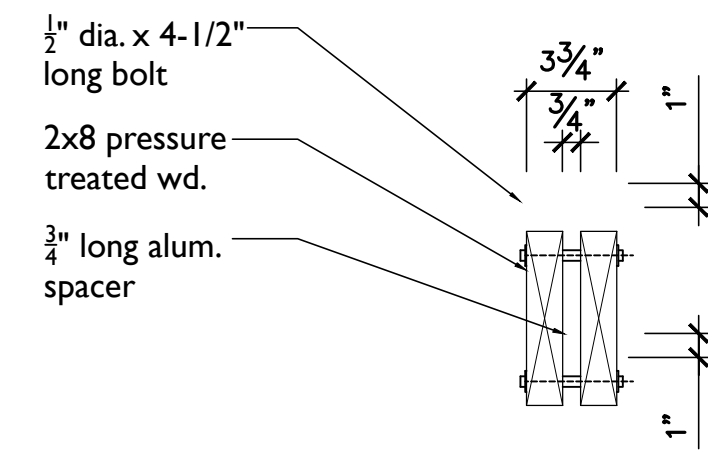
LIVERNOIS MEDIAN  
BETWEEN OUTER  
DRIVE W. AND  
CAMBRIDGE AVE  
ACROSS FROM  
DETROIT FIBER WORKS  
19359 LIVERNOIS AVE.  
DETROIT, MI 48221

Petition #1244 resub. 01/25/17



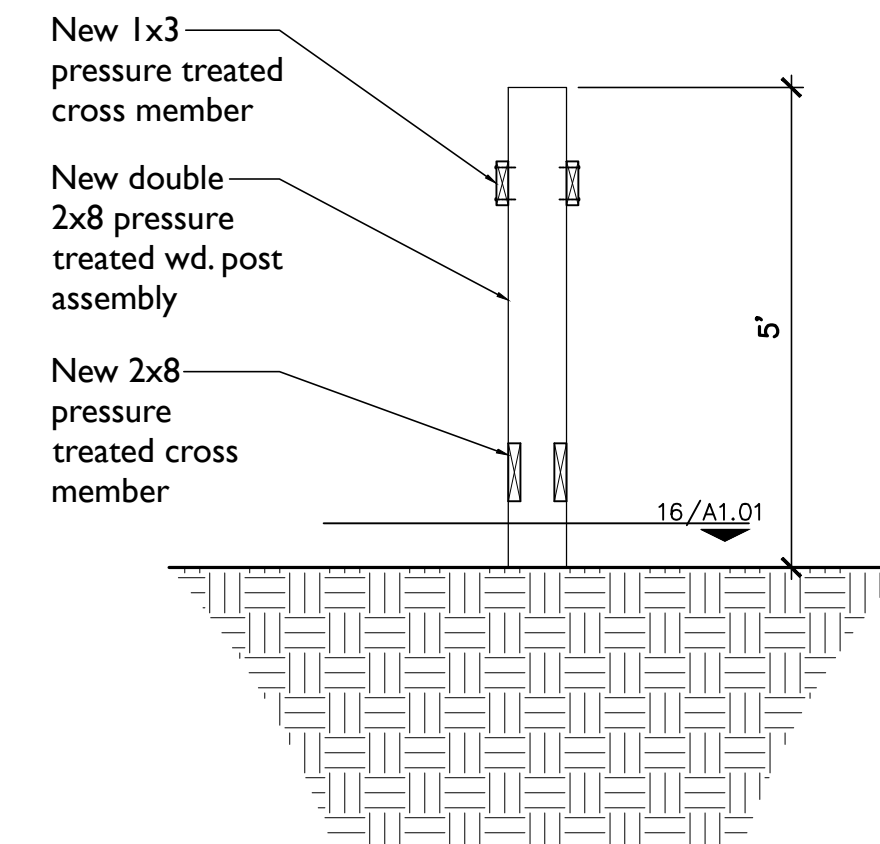
**20** Typical Bollard Section

scale: 1/2" = 1'-0"



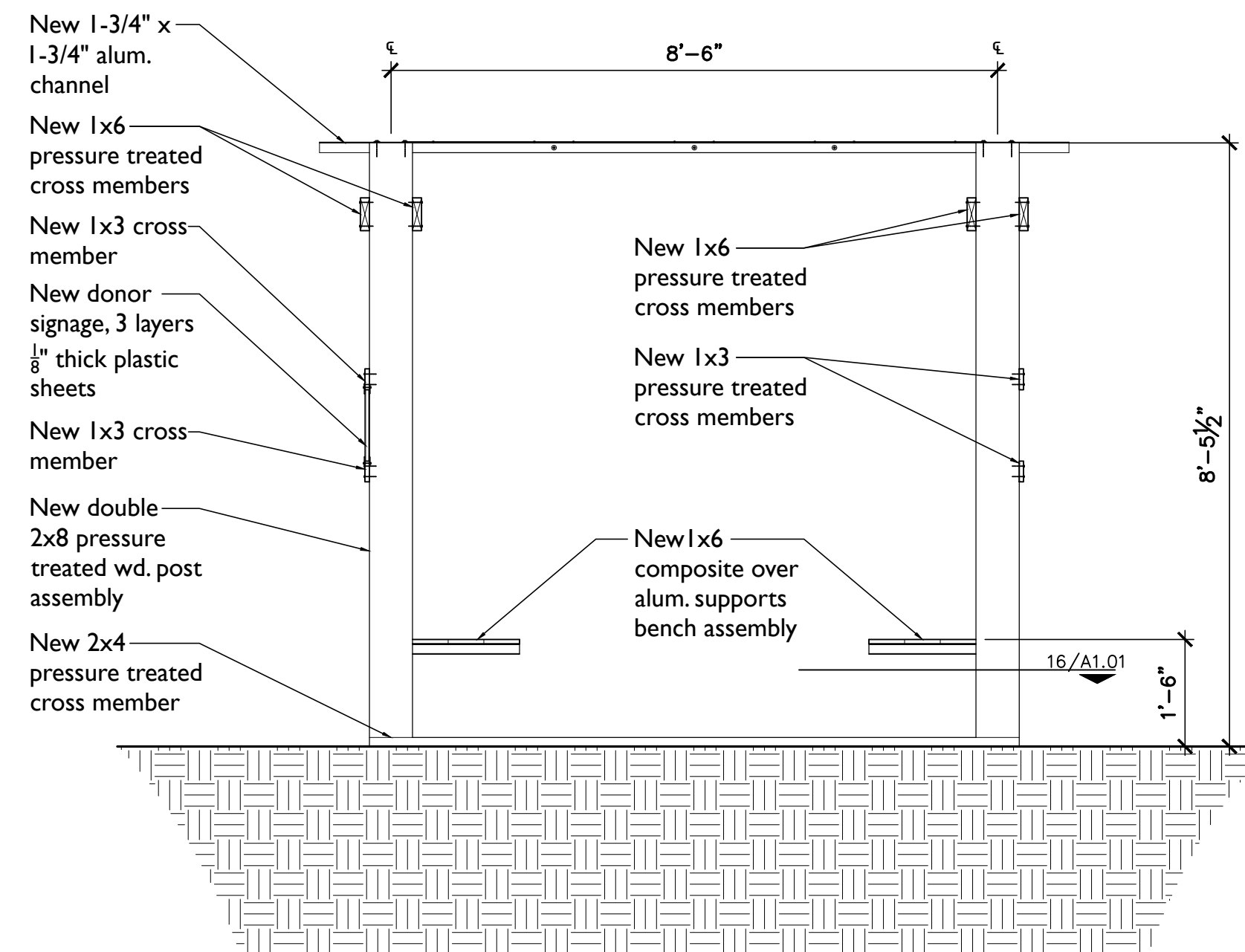
**16** Detail

scale: 1-1/2" = 1'-0"



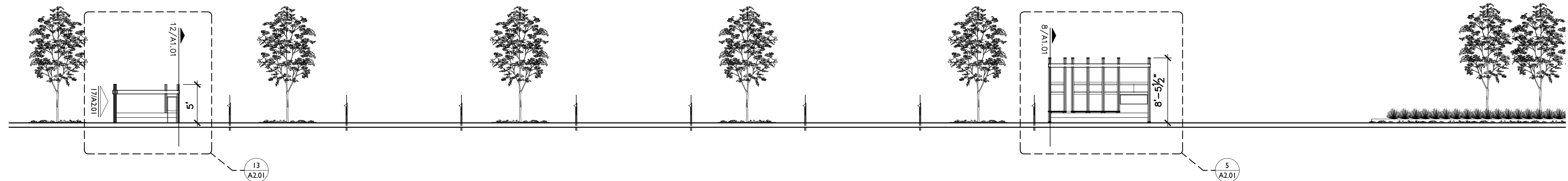
**12** Section

scale: 1/2" = 1'-0"



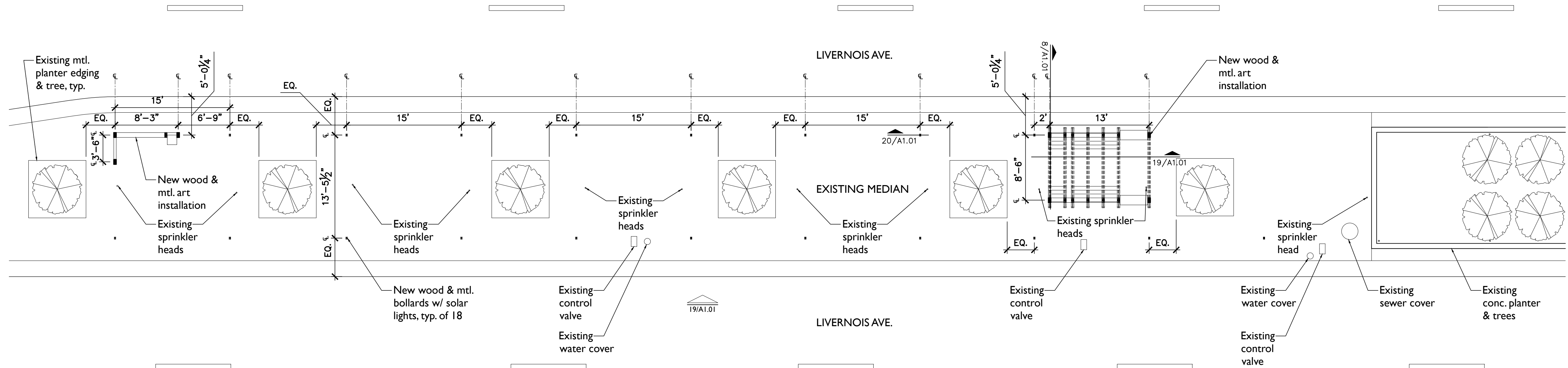
**8** Section

scale: 1/2" = 1'-0"



**19** East Elevation

scale: 1/8" = 1'-0"



**17** Plan

scale: 1/8" = 1'-0"

**NOT FOR CONSTRUCTION**

NORTH arrow pointing right. Project information table:  
project number: 251637-17-1  
date: 01/25/17  
drawn by: JT, CH  
checked by: CH





