

City of Detroit
**City Engineering Division, Department of Public Works
Survey Bureau**

NOTICE OF PROPOSED CHANGE IN PROPERTY

Date: 08/06/2015

Petition: x753

- | | |
|---|--|
| <input type="checkbox"/> AT&T Telecommunication | |
| <input type="checkbox"/> Cable Television (CATV) | <input type="checkbox"/> Vacation |
| <input type="checkbox"/> Detroit Edison (DTE) | |
| <input type="checkbox"/> Michigan Consolidated Gas (DTE) | <input type="checkbox"/> Conversion to Easement |
| <input type="checkbox"/> Fire Department | <input type="checkbox"/> Dedication |
| <input type="checkbox"/> Planning & Development Department | |
| <input type="checkbox"/> Public Lighting Authority | <input checked="" type="checkbox"/> Encroachment |
| <input type="checkbox"/> Public Lighting Dept. - Communication Division | |
| <input type="checkbox"/> Public Lighting Dept. - Overhead Line Division | |
| <input type="checkbox"/> Public Lighting Dept. - Underground Division | <input type="checkbox"/> Temporary Closing |
| <input type="checkbox"/> Police Department | |
| <input type="checkbox"/> Recreation Department | <input type="checkbox"/> Berm Use |
| <input type="checkbox"/> Sanitation Division, DPW | |
| <input type="checkbox"/> Street Design Bureau, DPW | |
| <input checked="" type="checkbox"/> Street Maintenance Division, DPW | |
| <input type="checkbox"/> Street and Traffic Division, DPW | |
| <input type="checkbox"/> Water and Sewerage Dept. - Sewer Design | |
| <input type="checkbox"/> Water and Sewerage Dept. - Water Design | |

A petition drawing is attached. Property shown on the attached print is proposed to be changed as indicated.

Kindly report (using the back of this sheet) the nature of your services If any) affected by the proposed change and the estimated costs of removing and rerouting such services (if necessary).

Please return one copy to City Engineering Division, DPW. Retain one copy and print for you file.

Ron Brundidge, Director, Department of Public Works

By: Richard Doherty, CED DPW
City Engineer

**TO: City Engineering Division, DPW
65 Cadillac Square, Suite 900
Detroit, Michigan 48226-2873
Survey Bureau: 313-224-3970**

x753

The proposed change in property (referred to on the other side of this sheet) would affect our services as follows:

- Not Involved
- Involved; but asking you to hold action on this petition until further notice.
- Involved; but no objections to the property change.
- Involved; but no objections to the property change... provided as easement of the full width of the public right-of-way (street, alley or other public place) is reserved.
- Involved; the nature of our services and the estimated costs of removing and/or rerouting such services are:

DPW / Street Maintenance Division
(Utility or City Department)

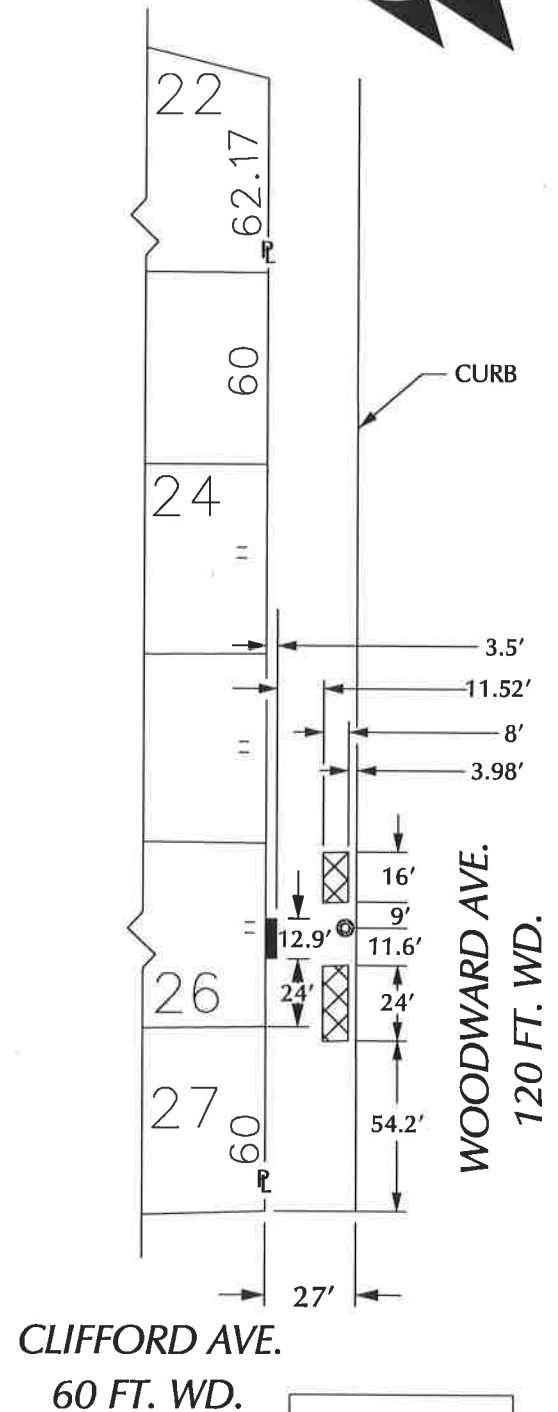
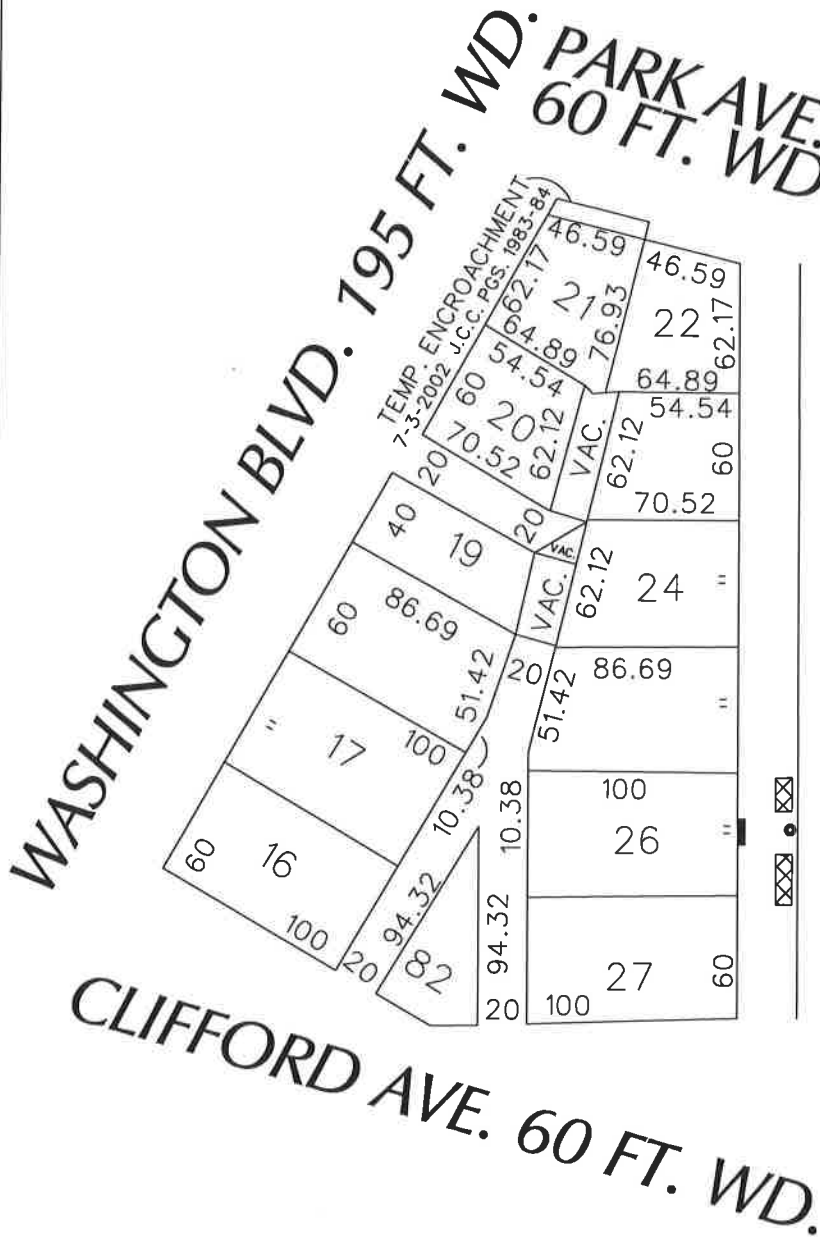
Dhaval Patel
By

Supervisor
Title

8/6/2015
Date

313-224-0021
Area code – Telephone number

PETITION NO. 753
 ZAGSTER, INC.
 C/O HENRY FORD HEALTH SYSTEM
 24 THORNDIKE ST. SUITE 2
 CAMBRIDGE, MA. 02141
 C/O KEVIN TEEL
 PHONE NO. 617 302-7293



 - REQUEST ENCROACHMENT
 (With Bike Rack)

 Light pole
 Planter Box

(FOR OFFICE USE ONLY)

CARTO 28 B

B					
A					
DESCRIPTION	DRWN	CHKD	APPD	DATE	
REVISIONS					
DRAWN BY	WLW	CHECKED			
DATE	08-05-15	APPROVED			

REQUEST ENCROACHMENT
 (With Bike Rack)
 INTO WOODWARD
 AT 1515 WOODWARD AVE.

CITY OF DETROIT
 CITY ENGINEERING DEPARTMENT
 SURVEY BUREAU
 JOB NO. 01-01
 DRWG. NO. X 753