

City of Detroit
City Engineering Division, Department of Public Works
Survey Bureau

6th Notice 1/11/16
5th Notice 12/7/15
4th Notice 11/12/15
3rd Notice 10/14/15
2nd Notice 9/15/15

NOTICE OF PROPOSED CHANGE IN PROPERTY

Date: 08/06/2015

Petition: x753

- AT&T Telecommunication
- Cable Television (CATV)
- Detroit Edison (DTE)
- Michigan Consolidated Gas (DTE)
- Fire Department
- Planning & Development Department
- Public Lighting Authority
- Public Lighting Dept. - Communication Division
- Public Lighting Dept. - Overhead Line Division
- Public Lighting Dept. - Underground Division
- Police Department
- Recreation Department
- Sanitation Division, DPW
- Street Design Bureau, DPW
- Street Maintenance Division, DPW
- Street and Traffic Division, DPW
- Water and Sewerage Dept. - Sewer Design
- Water and Sewerage Dept. - Water Design
- Vacation
- Conversion to Easement
- Dedication
- Encroachment
- Temporary Closing
- Berm Use

A petition drawing is attached. Property shown on the attached print is proposed to be changed as indicated.

Kindly report (using the back of this sheet) the nature of your services if any affected by the proposed change and the estimated costs of removing and rerouting such services (if necessary).

Please return one copy to City Engineering Division, DPW. Retain one copy and print for you file.

Ron Brundidge, Director, Department of Public Works

By: Richard Doherty, CED DPW
City Engineer

**TO: City Engineering Division, DPW
65 Cadillac Square, Suite 900
Detroit, Michigan 48226-2873
Survey Bureau: 313-224-3970**

x753

The proposed change in property (referred to on the other side of this sheet) would affect our services as follows:

- Not Involved
- Involved; but asking you to hold action on this petition until further notice.
- Involved; but no objections to the property change.
- Involved; but no objections to the property change...provided as easement of the full width of the public right-of-way (street, alley or other public place) is reserved.
- Involved; the nature of our services and the estimated costs of removing and/or rerouting such services are:

PLA

(Utility or City Department)

Umalant Patel; P.E.

By

Sr. Project Manager

Title

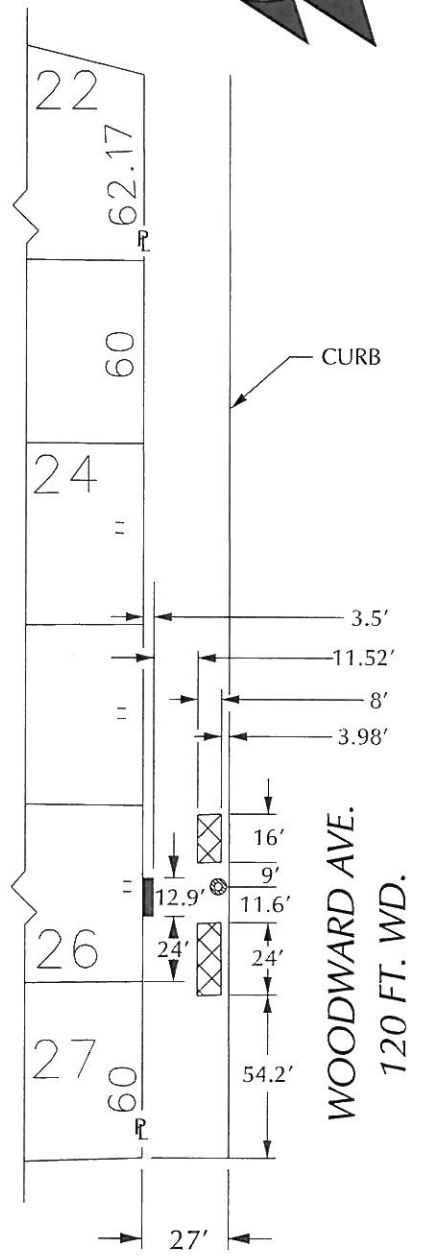
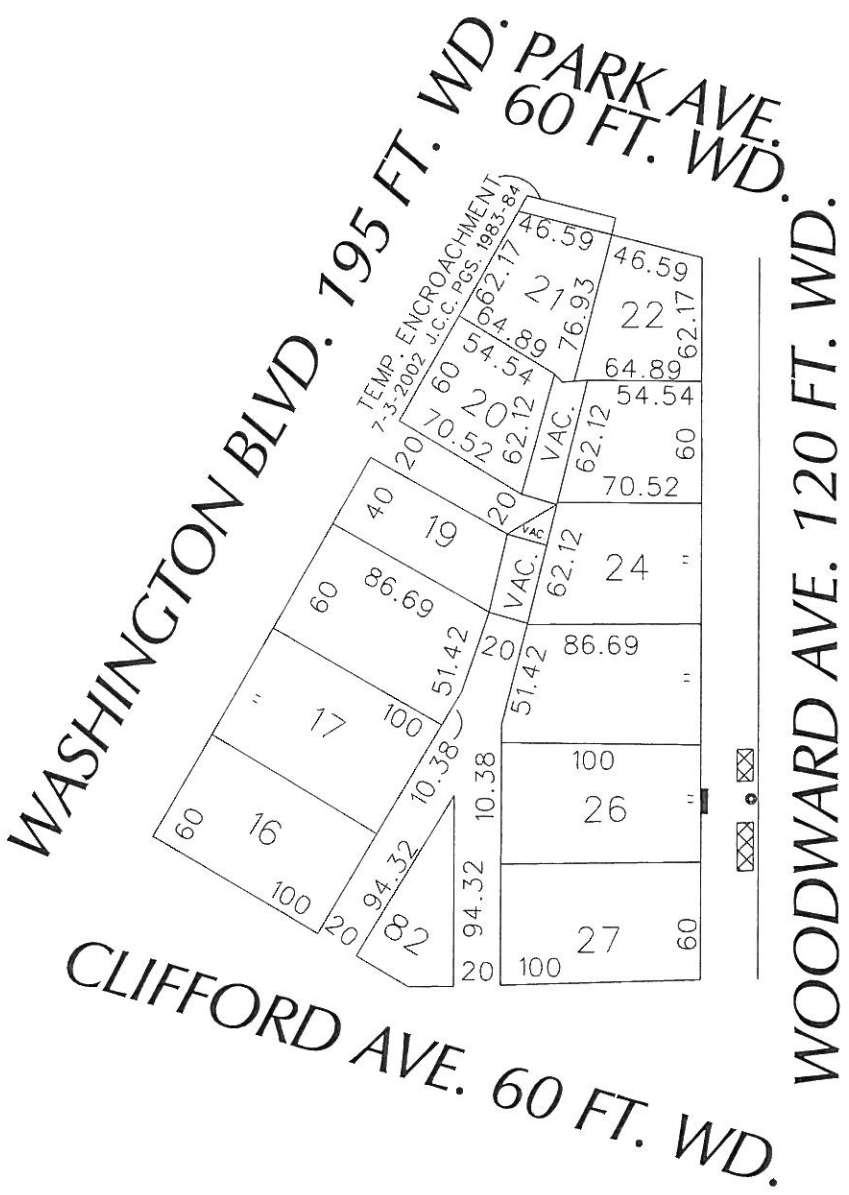
1/14/2016

Date



313-324-8290

Area code – Telephone number

PETITION NO. 753
 ZAGSTER, INC.
 C/O HENRY FORD HEALTH SYSTEM
 24 THORNDIKE ST. SUITE 2
 CAMBRIDGE, MA. 02141
 C/O KEVIN TEEL
 PHONE NO. 617 302-7293



 - REQUEST ENCROACHMENT
 (With Bike Rack)

 Light pole
 Planter Box

(FOR OFFICE USE ONLY)

CARTO 28 B

B					
A					
DESCRIPTION	DRWN	CHKD	APPD	DATE	
REVISIONS					
DRAWN BY	CHECKED				
DATE	APPROVED				
08-05-15					

REQUEST ENCROACHMENT
 (With Bike Rack)
 INTO WOODWARD
 AT 1515 WOODWARD AVE.

CITY OF DETROIT CITY ENGINEERING DEPARTMENT SURVEY BUREAU	
JOB NO.	01-01
DRWG. NO.	X 753