

1515 Woodward Dimensions

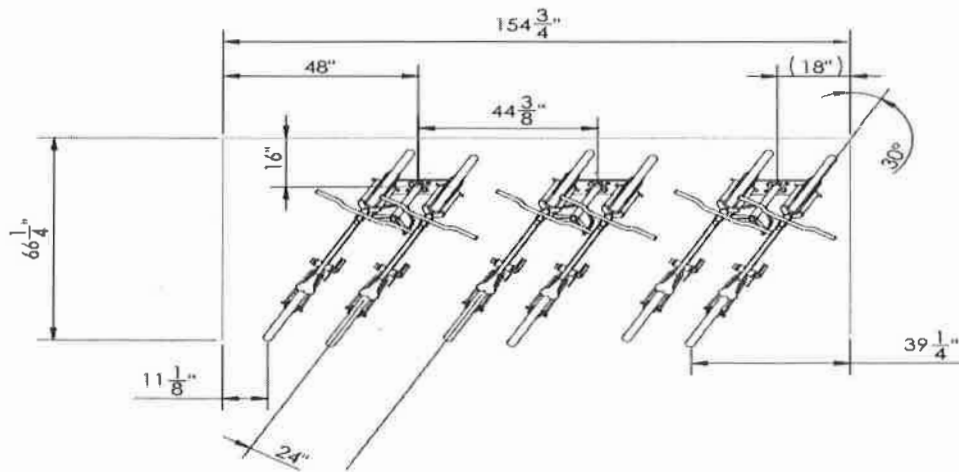


Bicycle Rack Location

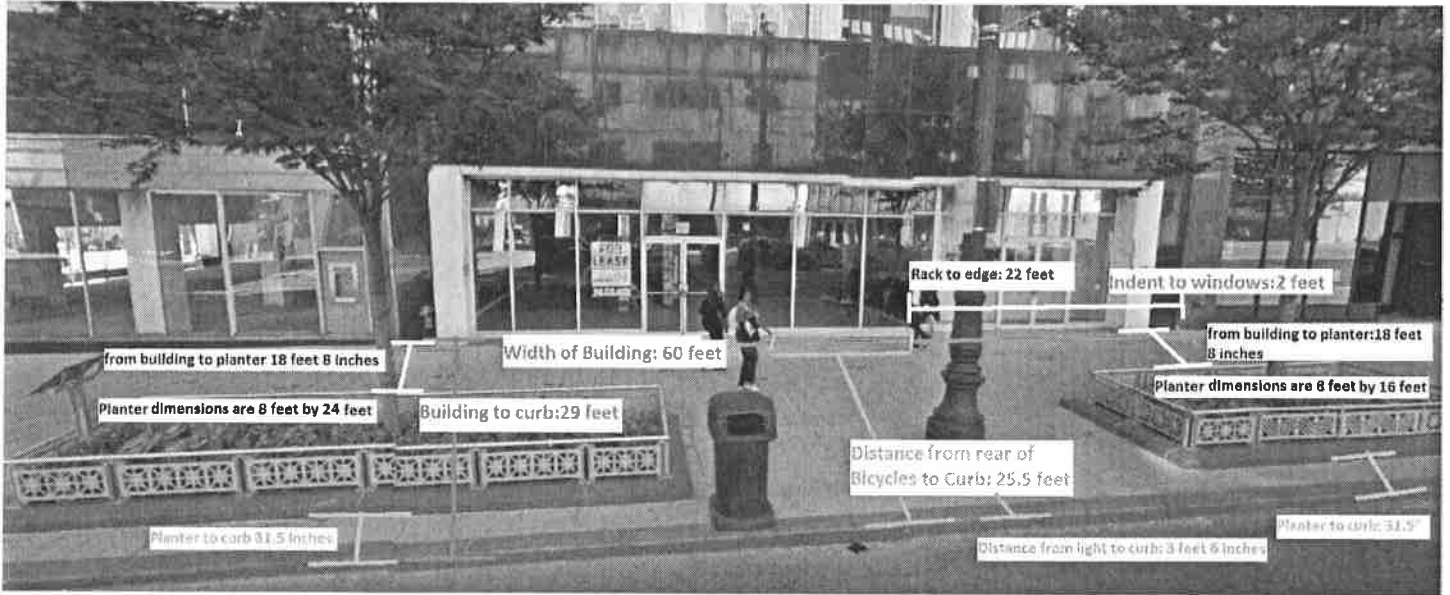


The proposed Bike Rack will be located directly in front of the windows and have a footprint of 154.75" wide and 66.25" depth. Because the windows at the location are recessed 24" from the front of the building; the rear of the bicycles will use 42.25" of sidewalk space allowing for 25.5 feet of sidewalk space from the rear of the bikes to the curb

Bicycle Rack Specs



1515 Woodward Dimensions

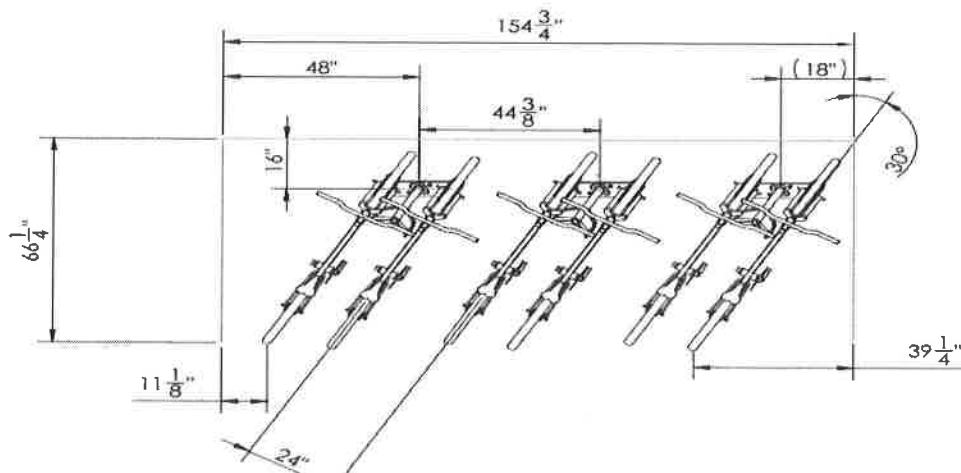


Bicycle Rack Location



The proposed Bike Rack will be located directly in front of the windows and have a footprint of 154.75" wide and 66.25" depth. Because the windows at the location are recessed 24" from the front of the building; the rear of the bicycles will use 42.25" of sidewalk space allowing for 25.5 feet of sidewalk space from the rear of the bikes to the curb

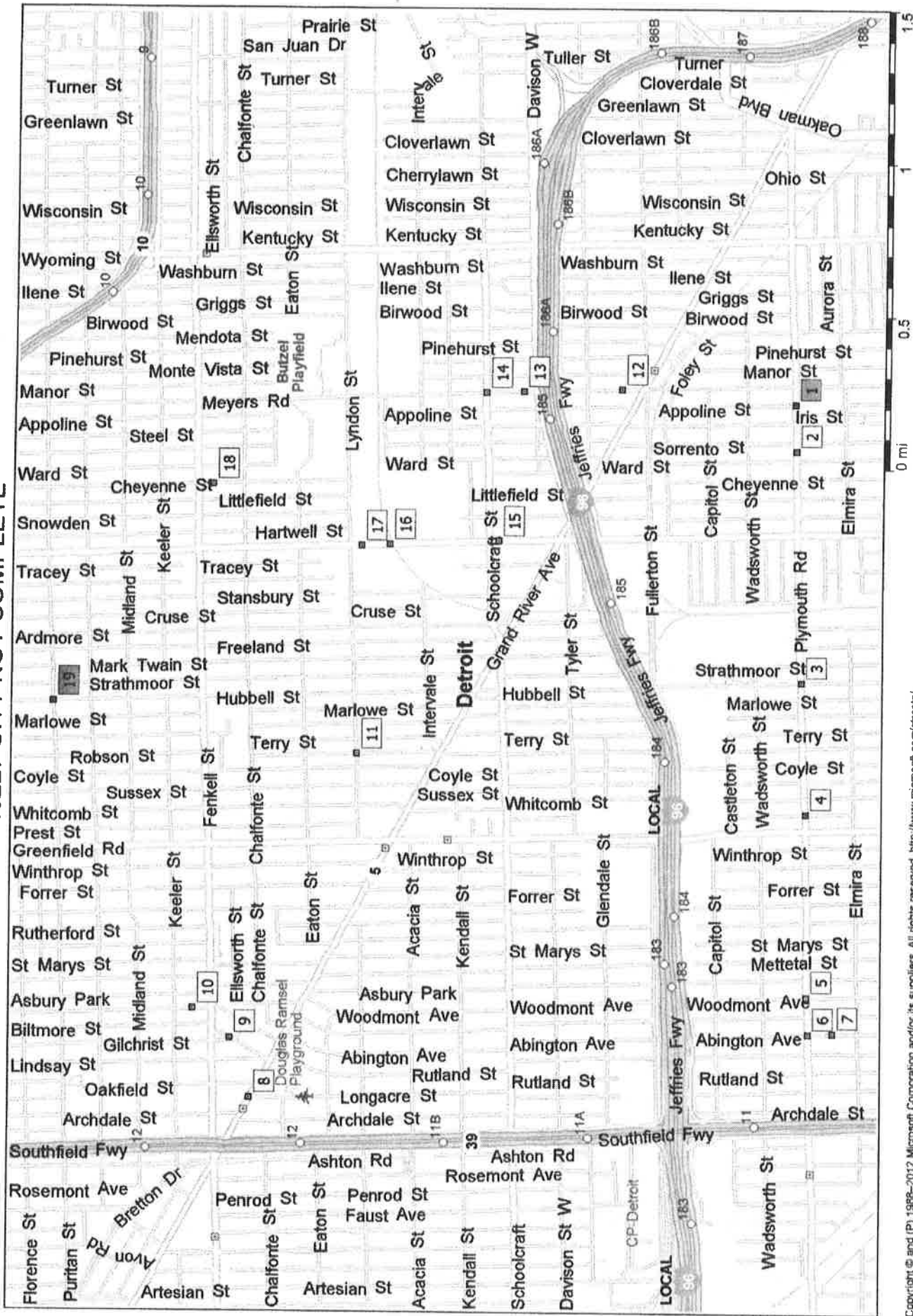
Bicycle Rack Specs



6-30-14 EPR AREA B

Map Order	Event Description	Customer Name	Street Num	Street Address	City	Zip Code	Event Remarks	Status
1	Paving	PAUL W CHAMPION	17342	EDINBOROUGH RD	DETROIT	48219	drng done to apron of driveway when gas lines were maintained last year, cust wants it fixed asap alt# 313 505 1759	Done By US
2	Paving	JOHARI CANADY	17636	EDINBOROUGH RD	DETROIT	48219	CST HAVE NOT BEEN ABLE TO PARK IN DRIVE WAY BLACK TOP KEEPS SINKING / PLEASE FIX DRIVEWAY	1 APPROXCH
3	Paving	DELANA GENTRY	18303	STAHELIN AVE	DETROIT	48219	cst stating has cracked curb & ground has settled would like for this to be repaired dte done worker in September bc 62500	Done By US
4	Paving	GRAHAM C PINKNEY	18228	STAHELIN AVE	DETROIT	48219	Gas Service Renewal damaged concrete on the sidewalk, uneven concrete, advised up to 30 days. kfox u21752 ktwd	Done By US
5	Paving	AUTHOR COLLECTIVE INC	18294	ASHTON AVE	DETROIT	48219	Customer states that asphalt is cracked where driveway meets the street. Crack was caused when repairing gas line	WAITING ON ASPHALT
6	Paving	Mr. Phillips	20092	GLASTONBURY RD	DETROIT	48219	"Last year I had a my driveway done. Recently DTE came out to move meters. They pulled a backho on my driveway and now there is large crack on my driveway which needs to be repaired."	Done By US
7	Paving	PAULETTE WHITE	18306	WARWICK ST	DETROIT	48219	we did work on meter and cracked driveway, please smooth out asphalt. not satisfactory to customer. alleb 12147 ktwd	Done By US
8	Paving	HOWARD MITCHELL	18243	SHAFTSBURY AVE	DETROIT	48219	CST SAID THAT DRIVEWAY NEED MORE ASPHALT FROM METER MOVE OUT	Done By US
9	Unfinished Work	ANDRE BOONE	17607	ANNCHESTER RD	DETROIT	48219	concrete in house broken, house on market for sale, grass was repaired. concrete left unfinished. asap please hycst 15118	IF FLAG WHIK MAYBE MADE ?
10	Unfinished Work	FLORENCE VARBEDIAN	17550	WESTMORELAND RD	DETROIT	48219	curb in front of home. damaged by gas crew not repaired hycst 15118	Done By US
11	Paving	KATIE D WILLIAMS	17350	KENTFIELD ST	DETROIT	48219	alt # - 3135374120, cst stated that after the renewal project was done at the property we messed up her driveway and her front end is getting scratched up.	Done By US
12	Paving	THELBERT L GIVENS	21440	ORCHARD ST	DETROIT	48219	Cust states service line work left 12-14 in pot hole from replacement pavement collapsing. located on the other side of the street acurtis ktw u20497	3 ROAD PATCHES
13	Paving	ANASTASIA GOLDMAN	21338	KARL ST	DETROIT	48219	Asphalt peices left at site and uneven which is prohibiting cust from parking in driveway acurtis ktw u20497	Done ROAD PATCH
14	Paving	Bertha Meeks	19334	BENTLER ST	DETROIT	48219	cust states that about a mth ago we did some gas line work out in her front yard sidewalk area, left the side walk and part of her driveway broken up. it is level and marked for safety though. Angela MacLaren ext.12129 krtw	Done By US
15	Paving	KMAJUT JACKSON	19347	BENTLER ST	DETROIT	48219	Cust states pavement damaged due to service line work acurtis ktw u20497	Remove Pile
16	Paving	BERTHA L MEEKS	19340	BENTLER ST	DETROIT	48219	Cust states temp asphalt laid for sidewalk repair, requesting perm concrete be laid acurtis ktw u20497	IF FLAG WAIT APPROX @ 19344
17	Paving	FELETA L WILSON	19371	CHAPEL ST	DETROIT	48219	we break up cement near the entrance of the driveway/Daphne 12050 ktwd	1 APPROX @ 19344 1 ROAD PATCH

48227 CITY NOT COMPLETE

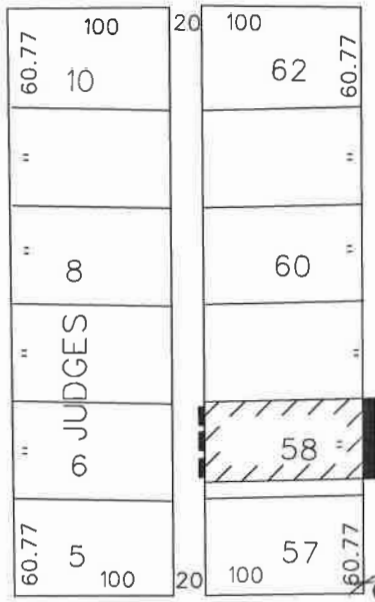


Copyright © and (P) 1988-2012 Microsoft Corporation and/or its suppliers. All rights reserved. http://www.microsoft.com/streets/ Certain mapping and direction data © 2012 NAVTEQ. All rights reserved. The Data for areas of Canada includes information taken with permission from Canadian authorities, including © Her Majesty the Queen in Right of Canada, © Queen's Printer for Ontario, NAVTEQ and NAVTEQ ON BOARD are trademarks of NAVTEQ. © 2012 Tele Atlas North America, Inc. All rights reserved. Tele Atlas and Tele Atlas North America are trademarks of Tele Atlas, Inc. © 2012 by Applied Geographic Solutions. All rights reserved. Portions © Copyright 2012 by Woodall Publications Corp. All rights reserved.

PETITION NO. 718
 BEDROCK REAL ESTATE SERVICES
 1092 WOODWARD AVE.
 DETROIT, MICHIGAN 48226
 C/O SCOTT R. COLLINS
 PHONE NO. 313 373-8700

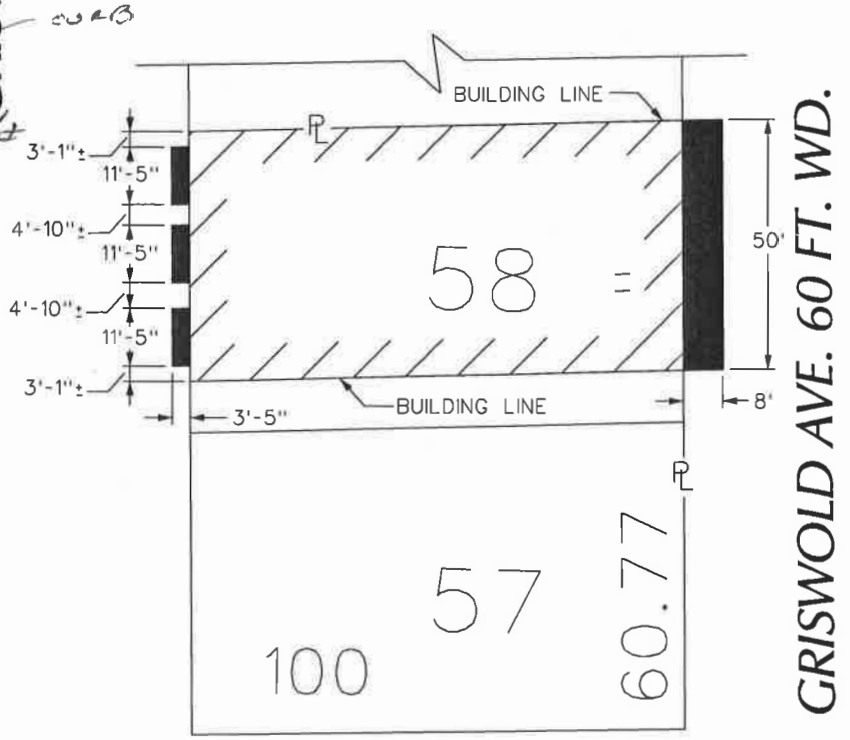


WASHINGTON BLVD. 195 FT. WD. GD. RIVER AVE. 60 FT. WD.



GRISWOLD AVE. 60 FT. WD.

STATE ST. 60 FT. WD.



STATE ST. 60 FT. WD.

■ - REQUEST ENCROACHMENT
 (With Permanent Outdoor Seating,
 Balconies and Fire Escapes)

(FOR OFFICE USE ONLY)

CARTO 28 B

B						REQUEST ENCROACHMENT INTO GRISWOLD AVE. AT 1215 GRISWOLD AVE. (With Permanent Outdoor Seating) AND A PORTION OF THE NORTH/SOUTH PUBLIC ALLEY (With Balconies and Fire Escapes) BETWEEN GD. RIVER AVE. AND STATE ST.	CITY OF DETROIT CITY ENGINEERING DEPARTMENT SURVEY BUREAU
	A	DESCRIPTION	DRWN	CHKD	APPD		
REVISIONS							DRWG. NO. X 718
DRAWN BY WLW			CHECKED				
DATE 07-01-15			APPROVED				





