



City of Detroit
Inter-Departmental Communication

TO: Richard Doherty, City Engineer
City Engineering/Department of Public Works

FROM: Debra Singleton, Manager II
Detroit Water and Sewerage Department

DATE: July 7, 2015

RE: Petition No. 614
Request to Vacate the East/West Alley in the Block Bound by Ellery, Waterloo,
Elmwood, and East Vernor Hwy.

We have reviewed the above Petition received by this office on April 14, 2015. With regard to DWSD's interests, our comment is as follows:

- Our records indicate that there is a sewer in the alley. DWSD objects to the requested vacation. However, DWSD has no objection if petitioner agrees to relocate the sewer in accordance with the attached Provisions for Relocation at no cost to DWSD.

If you have any questions, please call me at (313) 267-8309.

Sincerely,

Debra Singleton
Manager II
Claims and Permits

DS/gl
Attachments

CC: Cheryl Porter, WBB
Mohamad Farhat, CSF

City of Detroit
City Engineering Division, Department of Public Works
Survey Bureau

NOTICE OF PROPOSED CHANGE IN PROPERTY

Date: 04/10/2015

Petition: x614

- | | |
|---|---|
| <input type="checkbox"/> AT&T Telecommunication | |
| <input type="checkbox"/> Cable Television (CATV) | <input checked="" type="checkbox"/> Vacation |
| <input type="checkbox"/> Detroit Edison (DTE) | |
| <input type="checkbox"/> Michigan Consolidated Gas (DTE) | <input type="checkbox"/> Conversion to Easement |
| <input type="checkbox"/> Fire Department | <input type="checkbox"/> Dedication |
| <input type="checkbox"/> Planning & Development Department | |
| <input type="checkbox"/> Public Lighting Authority | <input type="checkbox"/> Encroachment |
| <input type="checkbox"/> Public Lighting Dept. - Communication Division | |
| <input type="checkbox"/> Public Lighting Dept. - Overhead Line Division | |
| <input type="checkbox"/> Public Lighting Dept. - Underground Division | <input type="checkbox"/> Temporary Closing |
| <input type="checkbox"/> Police Department | |
| <input type="checkbox"/> Recreation Department | <input type="checkbox"/> Berm Use |
| <input type="checkbox"/> Sanitation Division, DPW | |
| <input type="checkbox"/> Street Design Bureau, DPW | |
| <input type="checkbox"/> Street Maintenance Division, DPW | |
| <input type="checkbox"/> Street and Traffic Division, DPW | |
| <input type="checkbox"/> Water and Sewerage Dept. - Sewer Design | |
| <input type="checkbox"/> Water and Sewerage Dept. - Water Design | |

A petition drawing is attached. Property shown on the attached print is proposed to be changed as indicated.

Kindly report (using the back of this sheet) the nature of your services (if any) affected by the proposed change and the estimated costs of removing and rerouting such services (if necessary).

Please return one copy to City Engineering Division, DPW. Retain one copy and print for you file.

Ron Brundidge, Director, Department of Public Works

By: Richard Doherty, CED DPW
City Engineer

**TO: City Engineering Division, DPW
65 Cadillac Square, Suite 900
Detroit, Michigan 48226-2873
Survey Bureau: 313-224-3970**

x614

The proposed change in property (referred to on the other side of this sheet) would affect our services as follows:

- Not Involved
- Involved; but asking you to hold action on this petition until further notice.
- Involved; but no objections to the property change.
- Involved; but no objections to the property change...provided as easement of the full width of the public right-of-way (street, alley or other public place) is reserved.
- Involved; the nature of our services and the estimated costs of removing and/or rerouting such services are:

(Utility or City Department)

By

Title

Date

Area code – Telephone number

**Detroit Water & Sewerage Department
Requirements and Provisions for Petition No. 614**

Provided that the petitioner (Petition No. 614) shall design and construct proposed lateral sewer and to make the connections to the existing public sewers as required by the Detroit Water and Sewerage Department (DWSD) prior to construction of the proposed

Provided, that the plans for the lateral sewers shall be prepared by a registered engineer; and further

Provided, that DWSD be and is hereby authorized to review the drawings for the proposed lateral sewers and to issue permits for the construction of the lateral sewers. and further

Provided, that the entire work is to be performed in accordance with plans and specifications approved by DWSD and constructed under the inspection and approval of DWSD; and further

Provided that the entire cost of the proposed lateral sewer construction, including inspection, survey and engineering shall be borne by the petitioner; and further

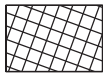
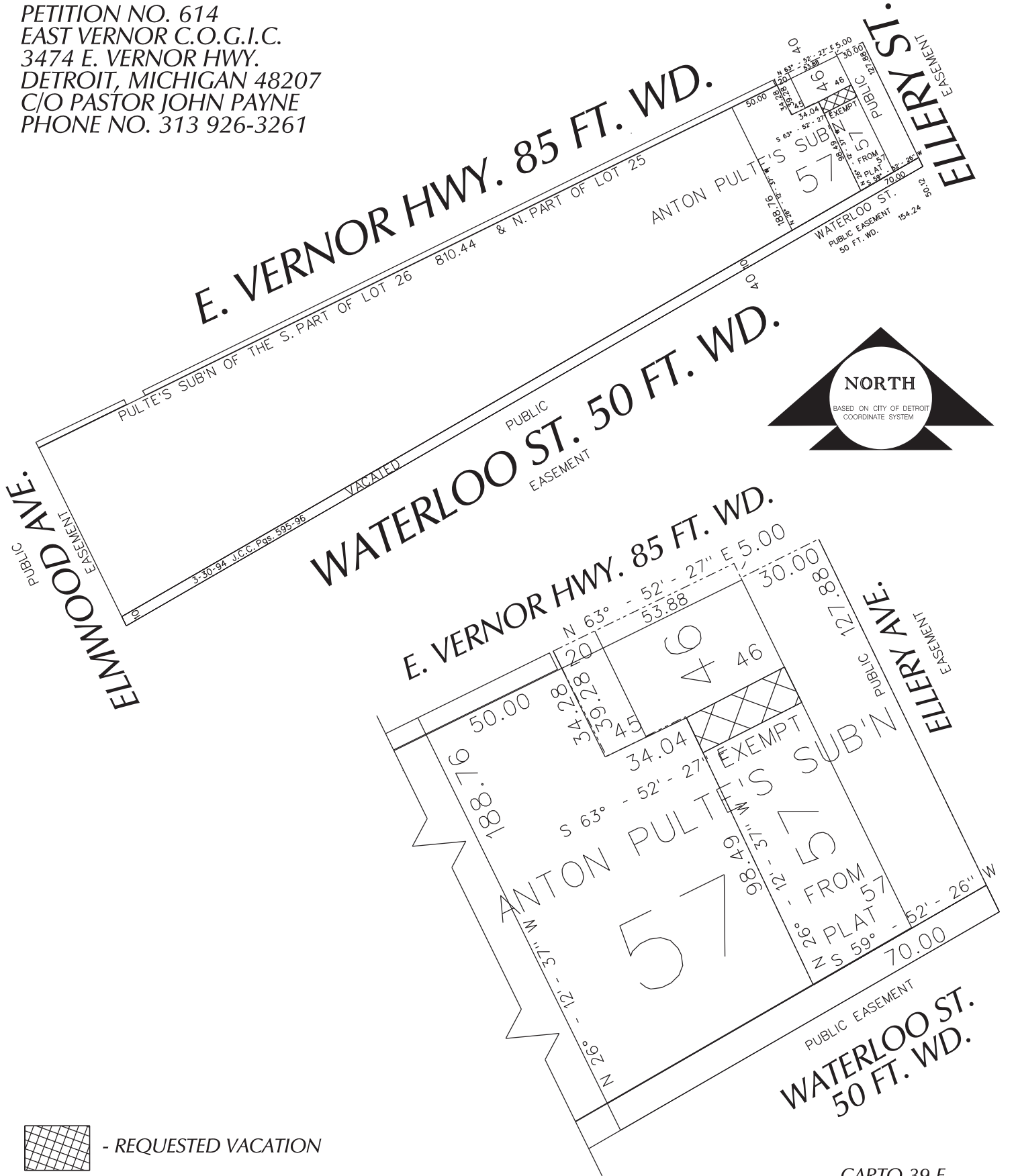
Provided, that the petitioner shall deposit with DWSD, in advance of engineering, inspection and survey, such amounts as the department deems necessary to cover the costs of these services; and further

Provided, that the petitioner shall grant to the City a satisfactory easement for the lateral sewers; and further

Provided, that the Board of Water Commissioners shall accept and execute the easement grant on behalf of the City; and further

Provided, that upon satisfactory completion, the lateral sewers shall become City property and become part of the City system.

PETITION NO. 614
 EAST VERNOR C.O.G.I.C.
 3474 E. VERNOR HWY.
 DETROIT, MICHIGAN 48207
 C/O PASTOR JOHN PAYNE
 PHONE NO. 313 926-3261



- REQUESTED VACATION

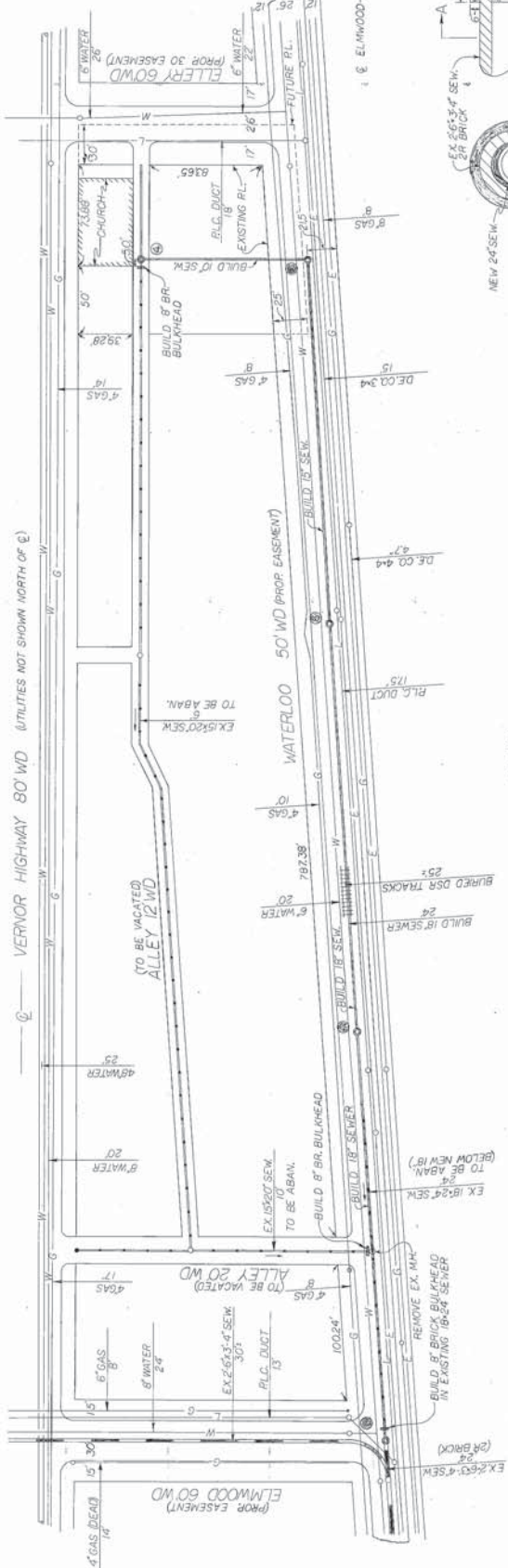
(FOR OFFICE USE ONLY)

CARTO 39 F

B					
A					
DESCRIPTION		DRWN	CHKD	APPD	DATE
REVISIONS					
DRAWN BY	WLW	CHECKED			
DATE	04-10-15	APPROVED			

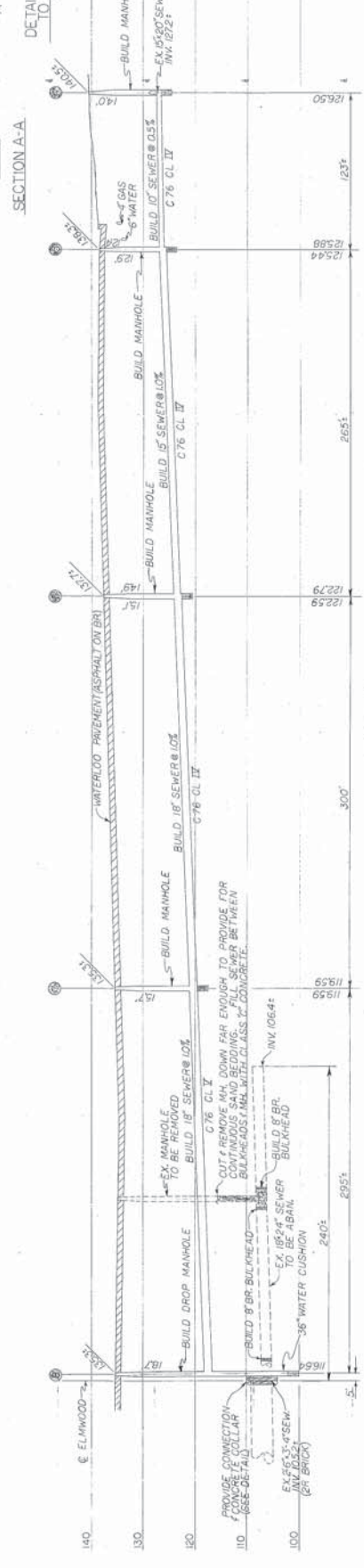
REQUEST TO OUTRIGHT VACATE
 THE EAST/WEST PUBLIC ALLEY, 12 FT. WD.
 IN THE BLOCK BOUND BY
 ELLERY, WATERLOO ST., ELMWOOD AVE.
 AND E. VERNOR HWY.

CITY OF DETROIT CITY ENGINEERING DEPARTMENT SURVEY BUREAU	
JOB NO.	01-01
DRWG. NO.	X 614

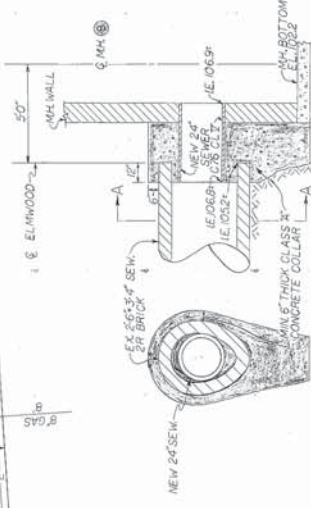


PLAN SCALE 1/40

NOTE: FOR TYPICAL BULKHEAD DETAILS SEE SHEET 1 OF 6



PROFILE SCALE 1/10



SECTION A-A
DETAIL OF CONNECTION TO 26\"/>

DESIGNED BY <i>W. J. ...</i>	APPROVED <i>W. J. ...</i>	DESIGNED BY <i>W. J. ...</i>	APPROVED <i>W. J. ...</i>
DRAWN BY <i>W. J. ...</i>	HELD INCHARGE <i>W. J. ...</i>	DIRECTOR OF ENGINEERS <i>W. J. ...</i>	DIRECTOR <i>W. J. ...</i>
CHECKED BY <i>W. J. ...</i>	CHECKED BY <i>W. J. ...</i>	CHECKED BY <i>W. J. ...</i>	CHECKED BY <i>W. J. ...</i>
DATE <i>W. J. ...</i>	DATE <i>W. J. ...</i>	DATE <i>W. J. ...</i>	DATE <i>W. J. ...</i>
DESCRIPTION SEWER	REVISIONS	DESCRIPTION SEWER	REVISIONS

DETROIT METRO WATER DEPARTMENT
ENGINEERING DIVISION
COMMUNITY AND ECONOMIC DEVELOPMENT DEPARTMENT
122 K
39F
DWG "2137-2"

PAVING OF THE MC DOUGALL-MILLET LOOP
THE MC DOUGALL-MAPLE LOOP AND
MISCELLANEOUS CONSTRUCTION
ELMWOOD PARK REHABILITATION PROJECT
NO. 3 MICH. R-123
SEWER ALTERATIONS-PLAN AND PROFILE
WATERLOO-ELMWOOD TO ELLERY
DATE OCT. 8, 1975

SHEET 33 OF 103
MOPAK PERMIT NO.
FIG. REF. NO.
CONTRACT NO. P.W. 657.5
WORK ORDER NO. S-136-7279
D-7501662
SHEET 2 OF 6