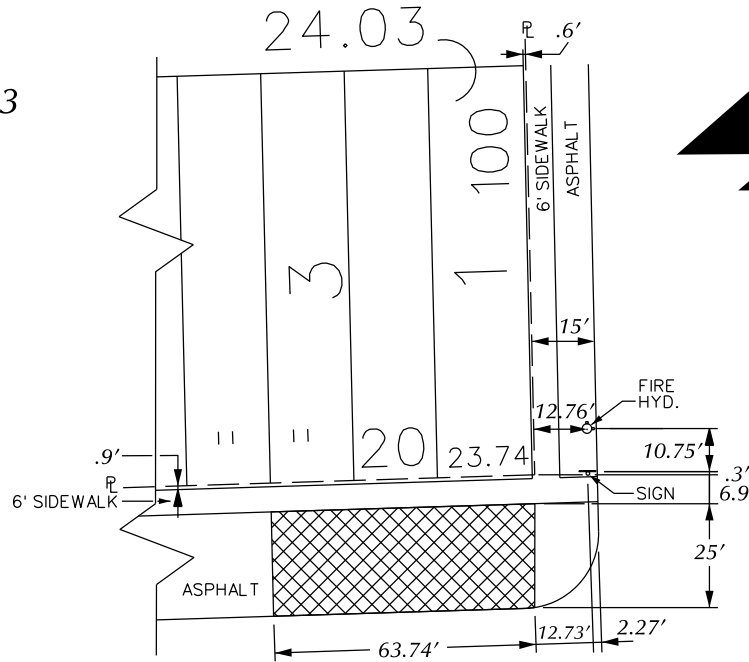


PETITION NO. 402
 MIKE BABY
 19300 SCHOOLCRAFT AVE.
 DETROIT, MICHIGAN 48223
 C/O MIKE BABY
 PHONE NO. 248 895-7264



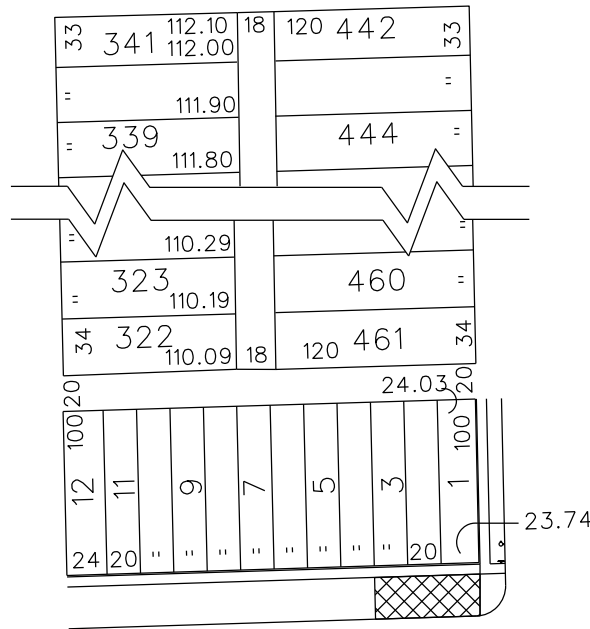
SCHOOLCRAFT AVE. 96 FT. WD.

GRANDVILLE AVE. 70 FT. WD.

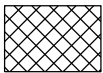
KENDALL AVE. 60 FT. WD.

WESTWOOD AVE. 60 FT. WD.

GRANDVILLE AVE. 70 FT. WD.



SCHOOLCRAFT AVE. 96 FT. WD.



- REQUESTED BERM USE
 (For Parking Only)

(FOR OFFICE USE ONLY)

CARTO 112 F

B					
A					
DESCRIPTION	DRWN	CHKD	APPD	DATE	
REVISIONS					
DRAWN BY	WLW	CHECKED			
DATE	02-18-15	APPROVED			

**REQUEST BERM USE
 (For Parking Only)
 INTO SCHOOLCRAFT AVE.
 AT 19300 SCHOOLCRAFT AVE.**

CITY OF DETROIT CITY ENGINEERING DEPARTMENT SURVEY BUREAU	
JOB NO.	01-01
DRWG. NO.	X 402