



City of Detroit  
Inter-Departmental Communication

---

**TO:** Richard Doherty, City Engineer  
City Engineering/Department of Public Works

**FROM:** Debra Singleton, Manager II  
Detroit Water and Sewerage Department

**DATE:** Mach 11, 2015

**RE:** Petition No. 402  
Requested Berm Parking Into Schoolcraft Ave. at 19300 Schoolcraft Ave.

We have reviewed the above Petition received by this office on February 18, 2015. With regard to DWSD's interests, our comments are as follows:

- Our records show that there are water mains and sewers in the vicinity of the area requested for berm parking. However, DWSD has no objection to the use of the berm for parking provided that the petitioner follows the attached Provisions for Encroachment.

If you have any questions, please call me at 313-267-8309.

Sincerely,

Debra Singleton  
Manager II  
Claims and Permits

DS/gl

Attachment

CC: Cheryl Porter, WBB  
Mohamad Farhat, CSF

**City of Detroit**  
**City Engineering Division, Department of Public Works**  
**Survey Bureau**

**NOTICE OF PROPOSED CHANGE IN PROPERTY**

**Date:** 02/18/2015

**Petition:** x402

- |   |   |
|---|---|
| <input type="checkbox"/> AT&T Telecommunication                         |   |
| <input type="checkbox"/> Cable Television (CATV)                        | <input type="checkbox"/> Vacation               |
| <input type="checkbox"/> Detroit Edison (DTE)                           |   |
| <input type="checkbox"/> Michigan Consolidated Gas (DTE)                | <input type="checkbox"/> Conversion to Easement |
| <input type="checkbox"/> Fire Department                                | <input type="checkbox"/> Dedication             |
| <input type="checkbox"/> Planning & Development Department              |   |
| <input type="checkbox"/> Public Lighting Authority                      | <input type="checkbox"/> Encroachment           |
| <input type="checkbox"/> Public Lighting Dept. - Communication Division |   |
| <input type="checkbox"/> Public Lighting Dept. - Overhead Line Division |   |
| <input type="checkbox"/> Public Lighting Dept. - Underground Division   | <input type="checkbox"/> Temporary Closing      |
| <input type="checkbox"/> Police Department                              |   |
| <input type="checkbox"/> Recreation Department                          | <input checked="" type="checkbox"/> Berm Use    |
| <input type="checkbox"/> Sanitation Division, DPW                       |   |
| <input type="checkbox"/> Street Design Bureau, DPW                      |   |
| <input type="checkbox"/> Street Maintenance Division, DPW               |   |
| <input type="checkbox"/> Street and Traffic Division, DPW               |   |
| <input type="checkbox"/> Water and Sewerage Dept. - Sewer Design        |   |
| <input type="checkbox"/> Water and Sewerage Dept. - Water Design        |   |

A petition drawing is attached. Property shown on the attached print is proposed to be changed as indicated.

Kindly report (using the back of this sheet) the nature of your services (if any) affected by the proposed change and the estimated costs of removing and rerouting such services (if necessary).

Please return one copy to City Engineering Division, DPW. Retain one copy and print for you file.

Ron Brundidge, Director, Department of Public Works

By: Richard Doherty, CED DPW  
City Engineer

**TO: City Engineering Division, DPW  
65 Cadillac Square, Suite 900  
Detroit, Michigan 48226-2873  
Survey Bureau: 313-224-3970**

x402

The proposed change in property (referred to on the other side of this sheet) would affect our services as follows:

- Not Involved
- Involved; but asking you to hold action on this petition until further notice.
- Involved; but no objections to the property change.
- Involved; but no objections to the property change...provided as easement of the full width of the public right-of-way (street, alley or other public place) is reserved.
- Involved; the nature of our services and the estimated costs of removing and/or rerouting such services are:

\_\_\_\_\_  
(Utility or City Department)

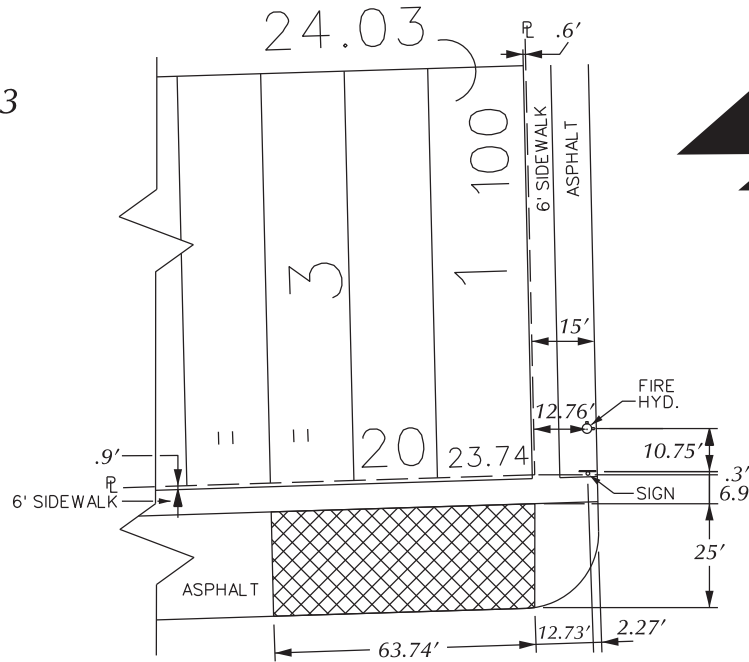
\_\_\_\_\_  
By

\_\_\_\_\_  
Title

\_\_\_\_\_  
Date

\_\_\_\_\_  
Area code – Telephone number

PETITION NO. 402  
 MIKE BABY  
 19300 SCHOOLCRAFT AVE.  
 DETROIT, MICHIGAN 48223  
 C/O MIKE BABY  
 PHONE NO. 248 895-7264



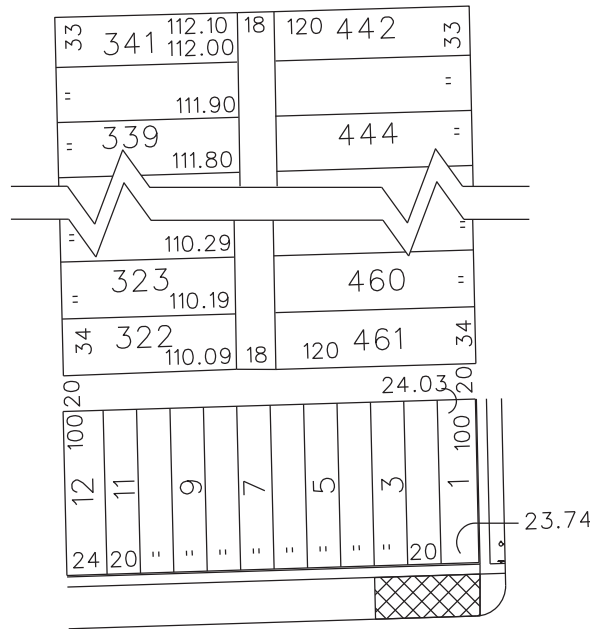
SCHOOLCRAFT AVE. 96 FT. WD.

GRANDVILLE AVE. 70 FT. WD.

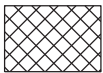
KENDALL AVE. 60 FT. WD.

WESTWOOD AVE. 60 FT. WD.

GRANDVILLE AVE. 70 FT. WD.



SCHOOLCRAFT AVE. 96 FT. WD.



- REQUESTED BERM USE  
 (For Parking Only)

(FOR OFFICE USE ONLY)

CARTO 112 F

B					
A					
DESCRIPTION	DRWN	CHKD	APPD	DATE	
REVISIONS					
DRAWN BY	WLW	CHECKED			
DATE	02-18-15	APPROVED			

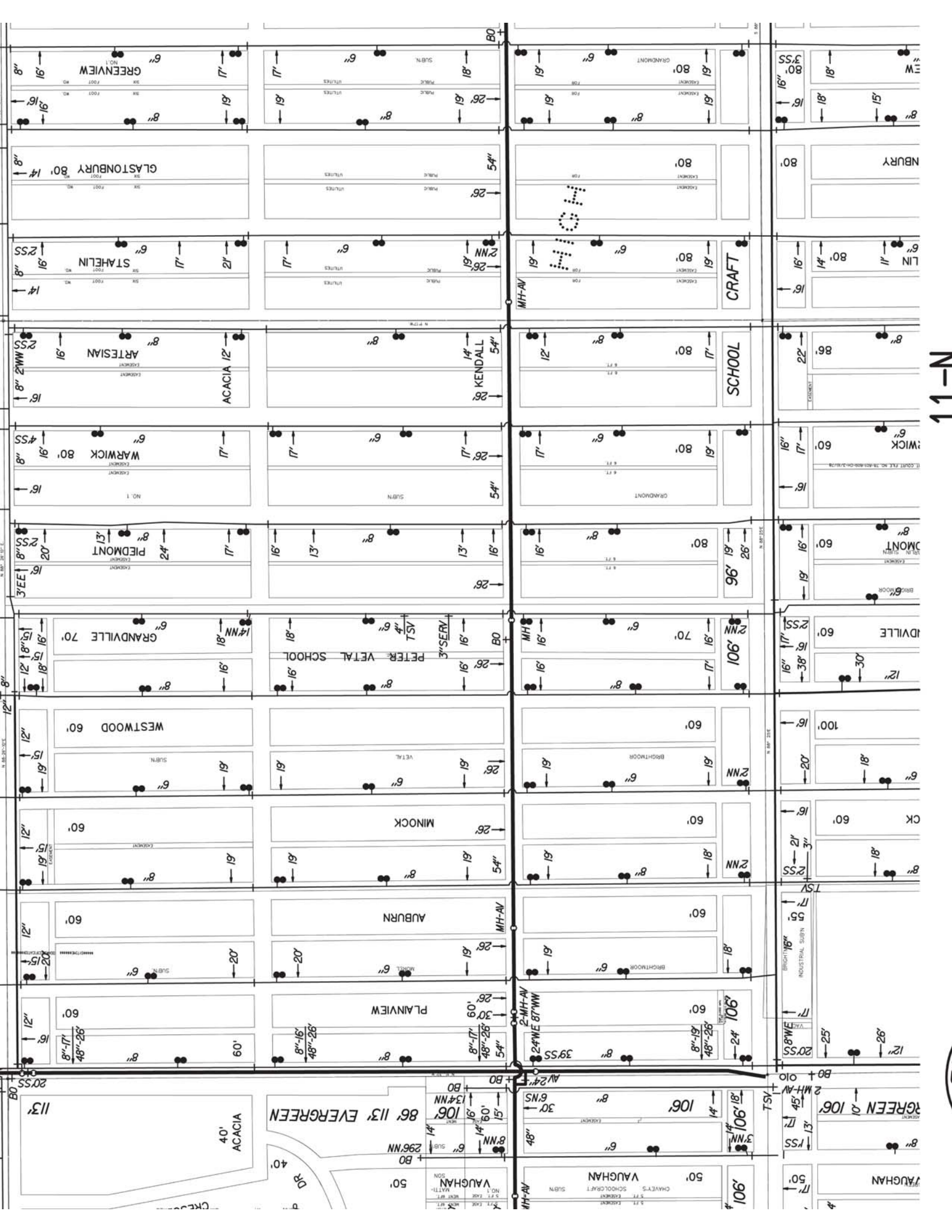
**REQUEST BERM USE  
 (For Parking Only)  
 INTO SCHOOLCRAFT AVE.  
 AT 19300 SCHOOLCRAFT AVE.**

CITY OF DETROIT CITY ENGINEERING DEPARTMENT SURVEY BUREAU	
JOB NO.	01-01
DRWG. NO.	X 402

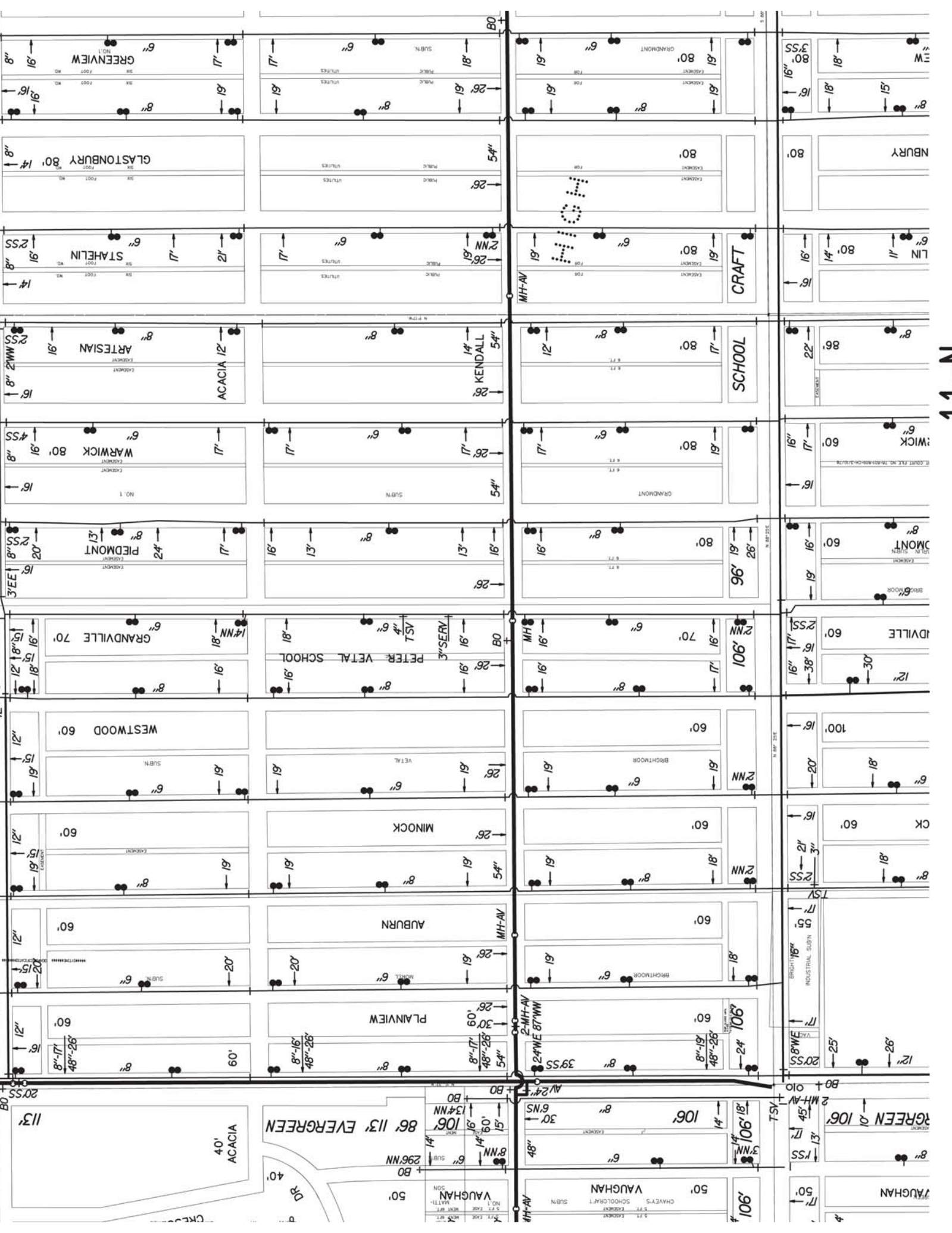
## **PROVISIONS FOR ENCROACHMENT For Petition 402**

Detroit Water and Sewerage (DWSD) agree to the proposed encroachment subject to the fulfilling of the following provisions:

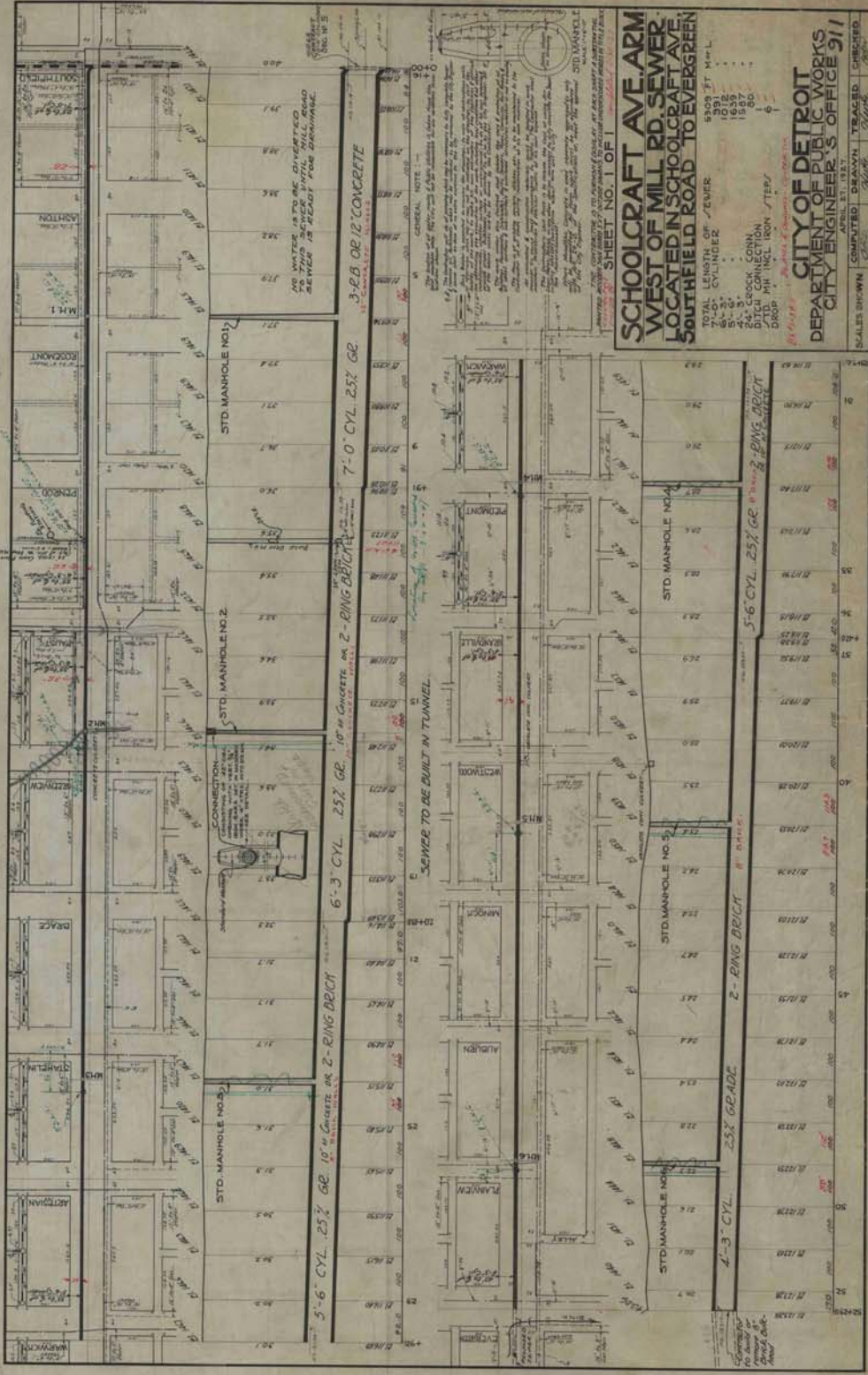
1. By approval of this petition the (DWSD) does not waive any of its rights to its facilities located in the right of way, and at all time, DWSD, its agents or employees, shall have the right to enter upon the right of way to maintain, repair, alter, service, inspect, or install its facilities. All costs incident to the damaging, dismantling, demolishing, removal and replacement of structures or other improvements herein permitted and incurred in gaining access to DWSD's facilities for maintenance, repairing, alteration, servicing or inspection caused by the encroachment shall be borne by the petitioner. All costs associated with gaining access to DWSD's facilities, which could normally be expected had the petitioner not encroached into the right of way shall be borne by DWSD.
2. All construction performed under this petition shall not be commenced until after five (5) days written notice to DWSD. Seventy-two (72) hours notice shall also be provided in accordance with P.A. 53 1974, as amended, utilizing the MISS DIG one call system.
3. Construction under this petition is subject to inspection and approval by DWSD forces. The cost of such inspection shall, at the discretion of DWSD, be borne by the petitioner.
4. If DWSD facilities located within the right of way shall break or be damaged as the result of any action on the part of the petitioner, then in such event the petitioner agrees to be liable for all costs incident to the repair, replacement or relocation of such broken or damaged DWSD facilities.
5. The petitioner shall hold DWSD harmless for any damage to the encroaching device constructed or installed under this petition, which may be caused by the failure of DWSD's facilities.



11-N







**SCHOOLCRAFT AVE ARM**  
**WEST OF MILL RD. SEWER**  
**LOCATED IN SCHOOLCRAFT AVE**  
**SOUTHFIELD ROAD TO EVERGREEN**

TOTAL LENGTH OF SEWER 8508 FT M-H-L  
 391  
 21-3"  
 91-6"  
 24" SPOCK CONN.  
 DITCH CONNECTION  
 DROP 1/4" IN 100' IRON FITTERS

**CITY OF DETROIT**  
**DEPARTMENT OF PUBLIC WORKS**  
**CITY ENGINEER'S OFFICE 911**

APRIL 27, 1927  
 COMPUTED DRAWN TRACED CHECKED  
 SCALES BROWN 1"=50' 1"=100'

13396

3'-6" OR 18" CONCRETE

7'-0" CYL. 25% GR.

10" OR CONCRETE OR 2-RING BRICK

6'-3" CYL. 25% GR.

10" OR CONCRETE OR 2-RING BRICK

5'-6" CYL. 25% GR.

10" OR CONCRETE OR 2-RING BRICK

4'-3" CYL. 25% GR.

SWICE TO BE BUILT IN TUNNEL

GENERAL NOTE: -  
 1. ALL SEWER LINES TO BE BUILT IN TUNNELS.  
 2. ALL SEWER LINES TO BE BUILT IN TUNNELS.  
 3. ALL SEWER LINES TO BE BUILT IN TUNNELS.  
 4. ALL SEWER LINES TO BE BUILT IN TUNNELS.  
 5. ALL SEWER LINES TO BE BUILT IN TUNNELS.  
 6. ALL SEWER LINES TO BE BUILT IN TUNNELS.  
 7. ALL SEWER LINES TO BE BUILT IN TUNNELS.  
 8. ALL SEWER LINES TO BE BUILT IN TUNNELS.  
 9. ALL SEWER LINES TO BE BUILT IN TUNNELS.  
 10. ALL SEWER LINES TO BE BUILT IN TUNNELS.

SHEET NO. 1 OF 1

CONNECTION TO MAIN SEWER LINE AT MILL RD. INTERSECTION