

**City of Detroit**  
**City Engineering Division, Department of Public Works**  
**Survey Bureau**

**NOTICE OF PROPOSED CHANGE IN PROPERTY**

**Date:** 02/18/2015

**Petition:** x402

- |   |   |
|---|---|
| <input type="checkbox"/> AT&T Telecommunication                         |   |
| <input type="checkbox"/> Cable Television (CATV)                        | <input type="checkbox"/> Vacation               |
| <input type="checkbox"/> Detroit Edison (DTE)                           |   |
| <input type="checkbox"/> Michigan Consolidated Gas (DTE)                | <input type="checkbox"/> Conversion to Easement |
| <input type="checkbox"/> Fire Department                                | <input type="checkbox"/> Dedication             |
| <input type="checkbox"/> Planning & Development Department              |   |
| <input type="checkbox"/> Public Lighting Authority                      | <input type="checkbox"/> Encroachment           |
| <input type="checkbox"/> Public Lighting Dept. - Communication Division |   |
| <input type="checkbox"/> Public Lighting Dept. - Overhead Line Division |   |
| <input type="checkbox"/> Public Lighting Dept. - Underground Division   | <input type="checkbox"/> Temporary Closing      |
| <input type="checkbox"/> Police Department                              |   |
| <input type="checkbox"/> Recreation Department                          | <input checked="" type="checkbox"/> Berm Use    |
| <input type="checkbox"/> Sanitation Division, DPW                       |   |
| <input type="checkbox"/> Street Design Bureau, DPW                      |   |
| <input type="checkbox"/> Street Maintenance Division, DPW               |   |
| <input type="checkbox"/> Street and Traffic Division, DPW               |   |
| <input type="checkbox"/> Water and Sewerage Dept. - Sewer Design        |   |
| <input type="checkbox"/> Water and Sewerage Dept. - Water Design        |   |

A petition drawing is attached. Property shown on the attached print is proposed to be changed as indicated.

Kindly report (using the back of this sheet) the nature of your services (if any) affected by the proposed change and the estimated costs of removing and rerouting such services (if necessary).

Please return one copy to City Engineering Division, DPW. Retain one copy and print for you file.

Ron Brundidge, Director, Department of Public Works

By: Richard Doherty, CED DPW  
City Engineer

**TO: City Engineering Division, DPW  
65 Cadillac Square, Suite 900  
Detroit, Michigan 48226-2873  
Survey Bureau: 313-224-3970**

x402

The proposed change in property (referred to on the other side of this sheet) would affect our services as follows:

- Not Involved
- Involved; but asking you to hold action on this petition until further notice.
- Involved; but no objections to the property change.
- Involved; but no objections to the property change...provided as easement of the full width of the public right-of-way (street, alley or other public place) is reserved.
- Involved; the nature of our services and the estimated costs of removing and/or rerouting such services are:

AT&T

(Utility or City Department)

Mark Branam

By

OSP Engineer

Title

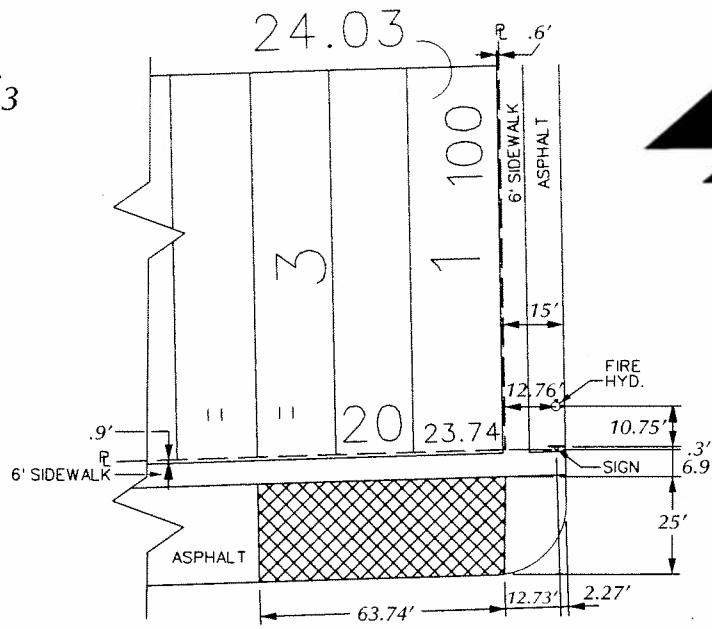
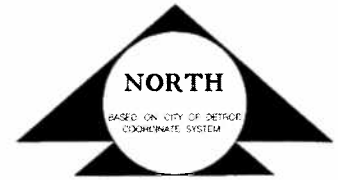
2-18-15

Date

313 240 5390

Area code – Telephone number

PETITION NO. 402  
 MIKE BABY  
 19300 SCHOOLCRAFT AVE.  
 DETROIT, MICHIGAN 48223  
 C/O MIKE BABY  
 PHONE NO. 248 895-7264

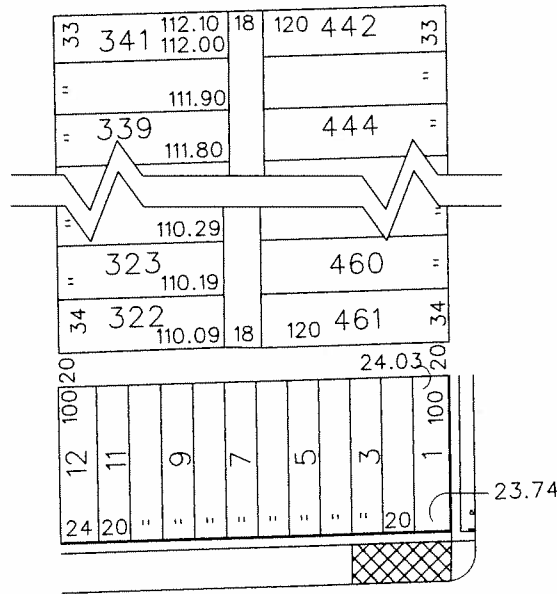


SCHOOLCRAFT AVE. 96 FT. WD.

KENDALL AVE. 60 FT. WD.

WESTWOOD AVE. 60 FT. WD.

GRANDVILLE AVE. 70 FT. WD.



SCHOOLCRAFT AVE. 96 FT. WD.



- REQUESTED BERM USE  
 (For Parking Only)

(FOR OFFICE USE ONLY)

CARTO 112 F

|             |          |      |      |      |  |
|-------------|----------|------|------|------|--|
| B           |          |      |      |      |  |
| A           |          |      |      |      |  |
| DESCRIPTION | DRWN     | CHKD | APPD | DATE |  |
| REVISIONS   |          |      |      |      |  |
| DRAWN BY    | WLW      |      |      |      |  |
| DATE        | 02-18-15 |      |      |      |  |
|             | CHECKED  |      |      |      |  |
|             | APPROVED |      |      |      |  |

**REQUEST BERM USE  
 (For Parking Only)  
 INTO SCHOOLCRAFT AVE.  
 AT 19300 SCHOOLCRAFT AVE.**

|   |       |
|---|-------|
| CITY OF DETROIT<br>CITY ENGINEERING DEPARTMENT<br>SURVEY BUREAU |       |
| JOB NO.   | 01-01 |
| DRWG. NO.   | X 402 |