

DTE Energy



DTE Energy Gas Co.
Data Integrity and Technology
Drafting Department, WCB-1836
One Energy Plaza, Detroit, MI 48226

November 7, 2014

Walter L. Williams, GIS Tech
City Engineering Division, DPW
65 Cadillac Square, Suite 900
Detroit, Michigan 48226-2873

RE: Petition 2586 Dated: 01/16/2013

The proposed change in property referred to would affect our services as follows:

- Not involved, no gas involved, and no objections. **See Remarks!**
- Involved but withholding action on petition until further notice.
- Involved but have no objection to the property change, provided that an easement of the full width of the street/alley is reserved as shown.
- Involved – nature of services and estimated cost of removing or rerouting such services are:

Remarks;

Not involved, no gas main involved, and no objections for a request to encroach into the Agnes Avenue, between Van Dyke and Parker Avenue with Bike Racks. See enclosed strip print for your use and information. Please note that there is an existing service line in the R.O.W. of Agnes servicing 8027, 8030 and 8031 Agnes!

Please abide by Public Act 147, three (3) working days before you dig, dial toll free MISS DIG:
1-800-482-7171.

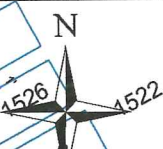
DTE Energy Gas Leak Emergency, Phone number: 1-800-947-5000.

Sincerely,

A handwritten signature in cursive script that reads "Rochelle M. Caslin".

Rochelle M. Caslin
Sr. Drafter/SE Region
Data Integrity and Technology

RMC/
Enclosure



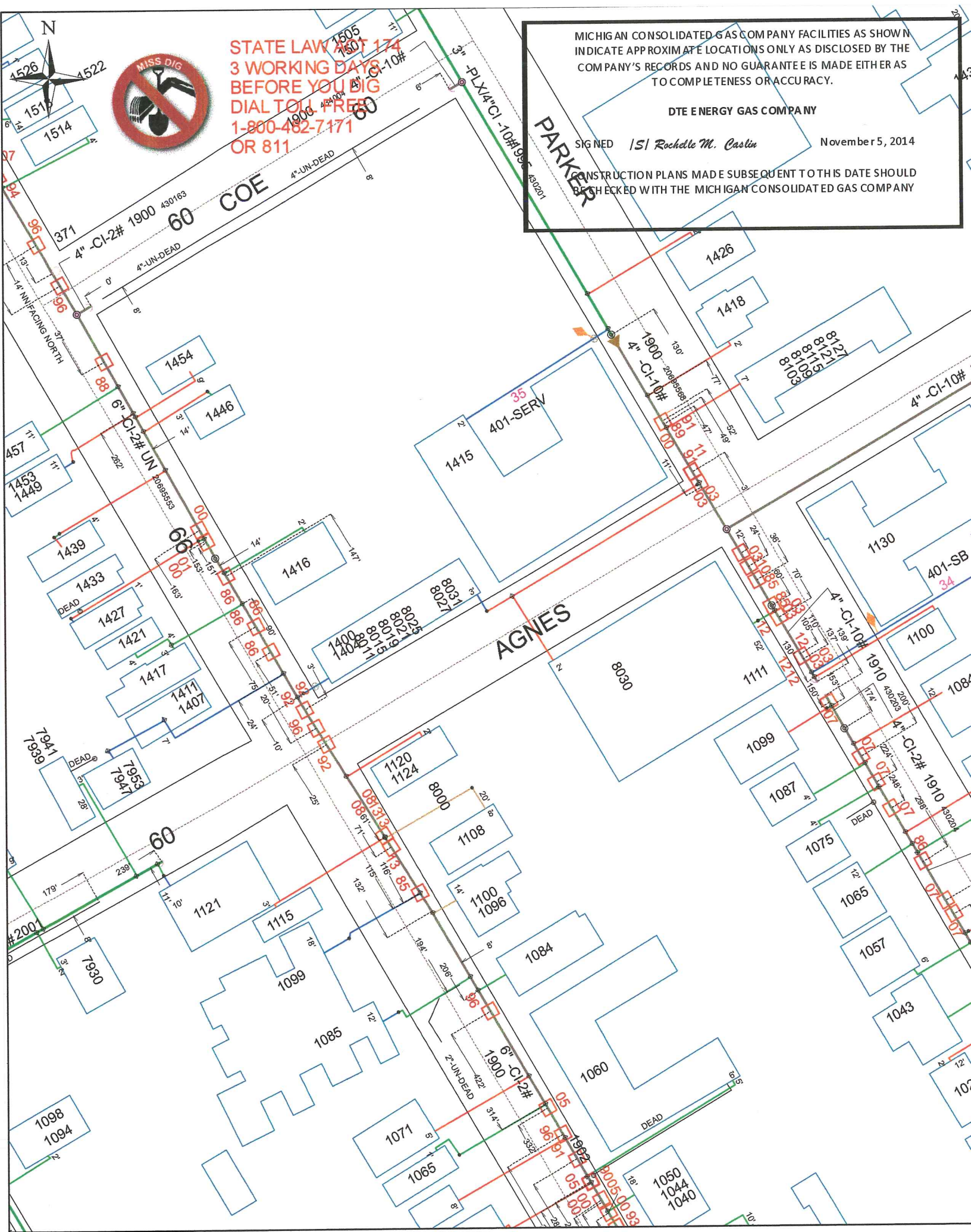
STATE LAW #174
3 WORKING DAYS
BEFORE YOU DIG
DIAL TOLL FREE
1-800-482-7171
OR 811

MICHIGAN CONSOLIDATED GAS COMPANY FACILITIES AS SHOWN INDICATE APPROXIMATE LOCATIONS ONLY AS DISCLOSED BY THE COMPANY'S RECORDS AND NO GUARANTEE IS MADE EITHER AS TO COMPLETENESS OR ACCURACY.

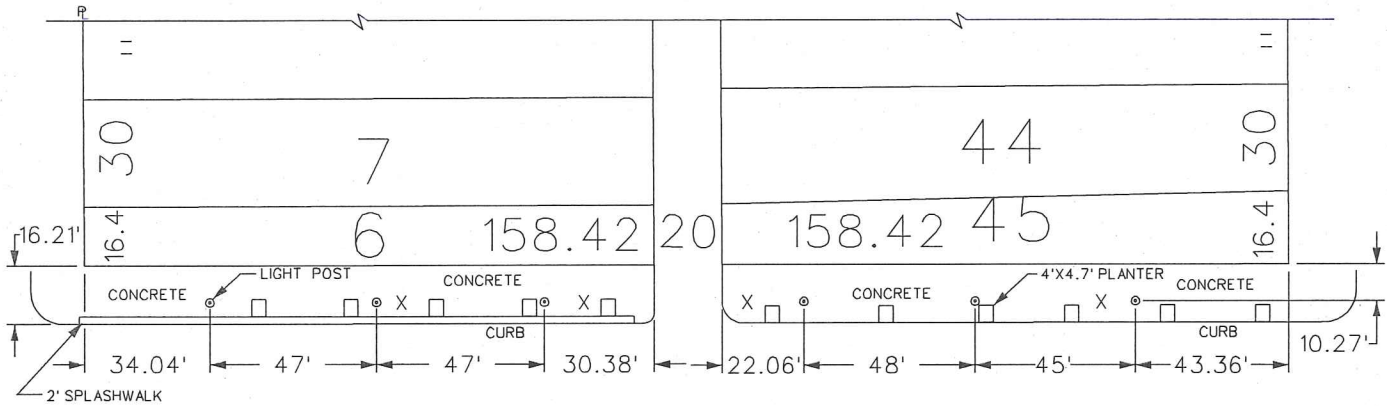
DTE ENERGY GAS COMPANY

SIGNED /S/ *Rockelle M. Costin* November 5, 2014

CONSTRUCTION PLANS MADE SUBSEQUENT TO THIS DATE SHOULD BE CHECKED WITH THE MICHIGAN CONSOLIDATED GAS COMPANY

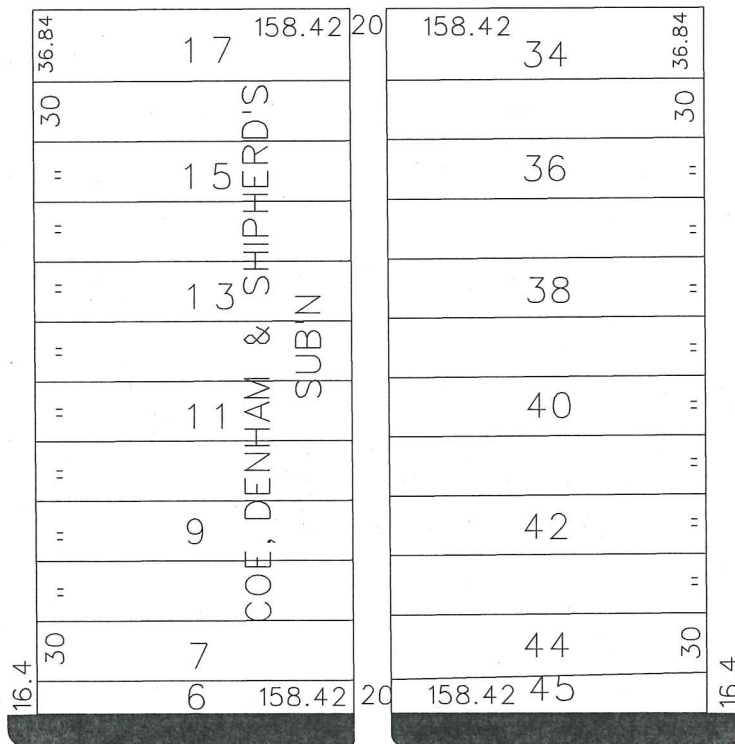


PETITION NO. 419
 INTERSECTION CONSULTING GROUP
 8120 E. JEFFERSON AVE.
 DETROIT, MICHIGAN 48214
 C/O BRIAN R. ELLISON
 PHONE NO. 313 397-5863



VAN DYKE AVE. 66 FT. WD.

COE AVE. 60 FT. WD.



PARKER ST. 60 FT. WD.

AGNES ST. 60 FT. WD.

LEGEND:	
X	Proposed Bike Rack
□	4'x4.7' Planters
⊙	Light pole

- REQUEST ENCROACHMENT
 (With Bike Racks)

(FOR OFFICE USE ONLY)

CARTO 46 B

B					
A					
DESCRIPTION		DRWN	CHKD	APPD	DATE
REVISIONS					
DRAWN BY		CHECKED			
DATE		APPROVED			
11-03-14					

REQUEST ENCROACHMENT
 INTO THE NORTH SIDE OF AGNES AVE.
 BETWEEN VAN DYKE AND PARKER AVE.
 (With Bike Racks)

CITY OF DETROIT CITY ENGINEERING DEPARTMENT SURVEY BUREAU	
JOB NO.	01-01
DRWG. NO.	X 419