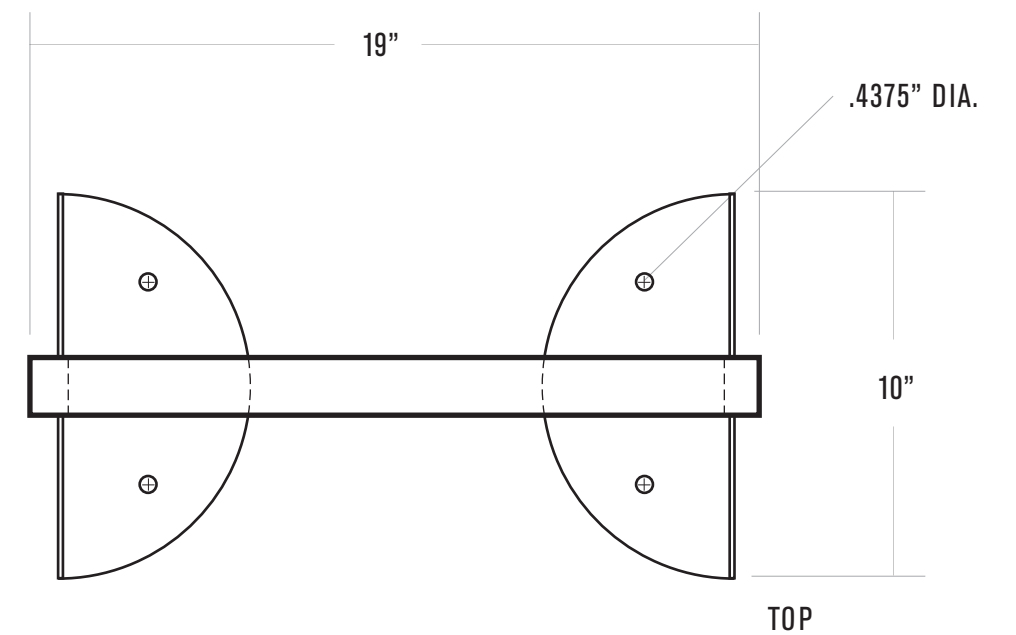
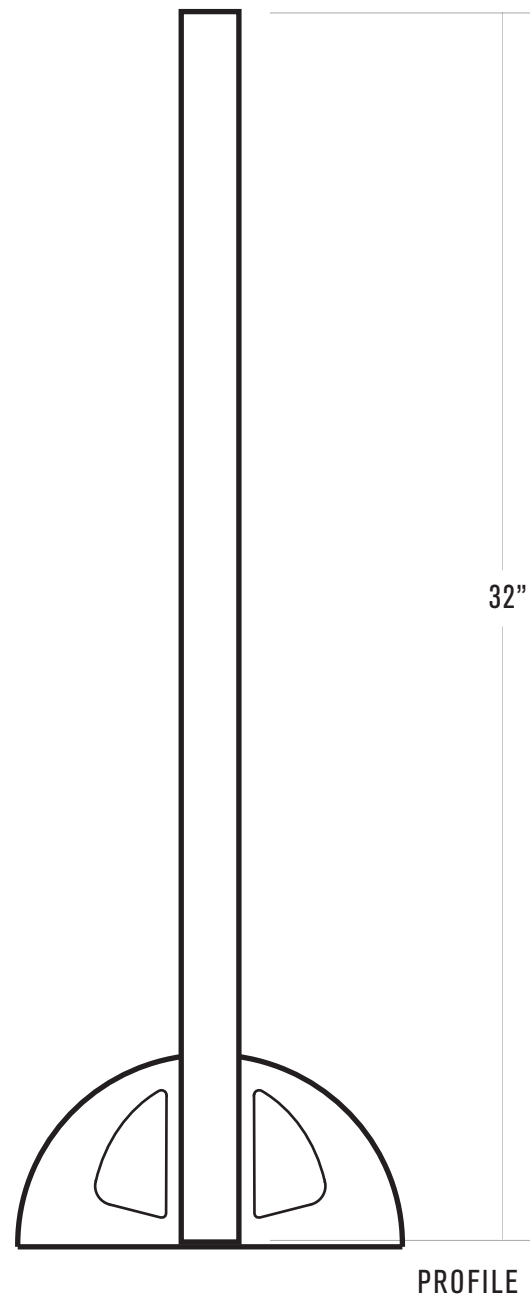
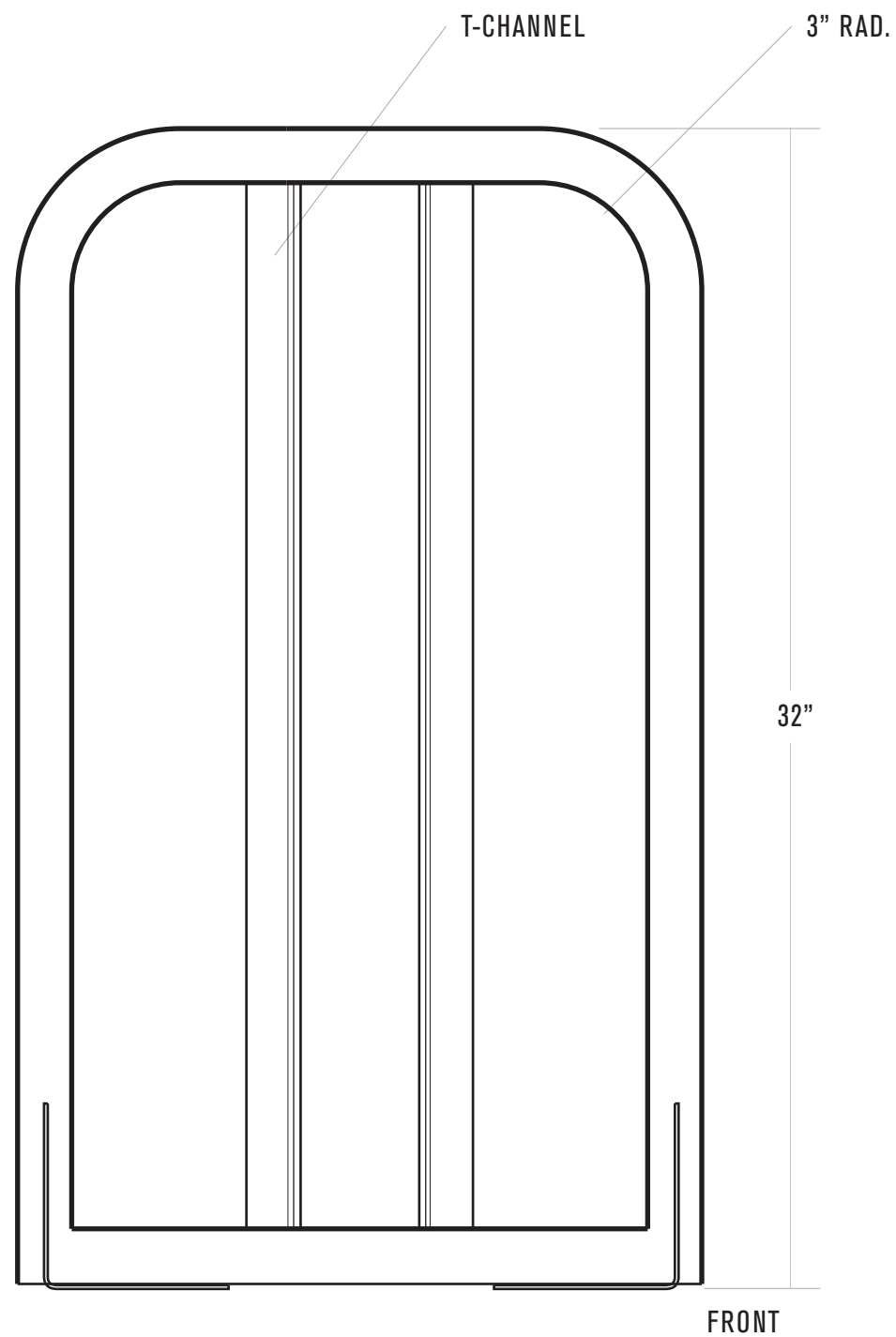


DETROIT BIKE RACK (DUAL-PURPOSE)

MAIN HOOP: 1.5X1.5X16GA, VERTICALS: 1X1X16GA, FEET AND GUSSETS: .125", ALL MIG-WELDED, SATIN-BLACK OR DARK BRONZE POWDERCOAT OR STAINLESS STEEL CONSTRUCTION



DETROIT BIKE RACK (LEAN-ONLY)

MAIN HOOP: 1.5X1.5X16GA, FEET AND GUSSETS: .125", ALL MIG-WELDED, SATIN-BLACK OR DARK BRONZE POWDERCOAT OR STAINLESS STEEL CONSTRUCTION