

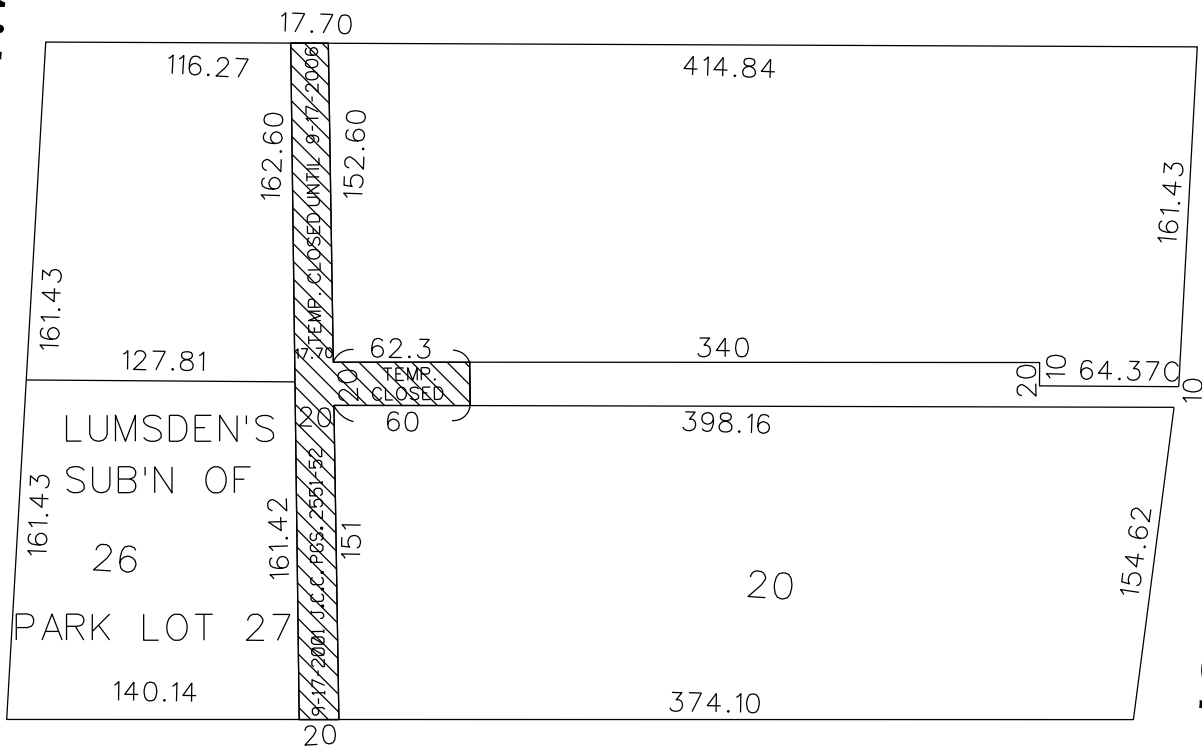
PETITION NO. 274
 THE MAJESTIC THEATRE
 4120 - 4140 WOODWARD AVE.
 DETROIT, MICHIGAN 48201
 C/O DAVE ZAINEA
 PHONE NO. 313 732-7768



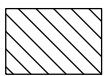
WOODWARD AVE. 120 FT. WD.

WILLIS E. AVE. 100 FT. WD.

JONH R. 60 FT. WD.



ALEXANDRINE E. AVE. 120 FT. WD.



- RENEWAL OF TEMPORARY ALLEY CLOSURE

(FOR OFFICE USE ONLY)

CARTO 30 F

B					
A					
DESCRIPTION		DRWN	CHKD	APPD	DATE
REVISIONS					
DRAWN BY		CHECKED			
DATE		APPROVED			
06-10-14					

RENEWAL OF TEMPORARY ALLEY CLOSURE
 THE NORTH/SOUTH PUBLIC ALLEY
 VARIOUS WD. IN THE BLOCK BOUND BY
 ALEXANDRINE E., WOODWARD
 WILLIS E. AVE. AND JONH R.

CITY OF DETROIT	
CITY ENGINEERING DEPARTMENT	
SURVEY BUREAU	
JOB NO.	01-01
DRWG. NO.	X 274