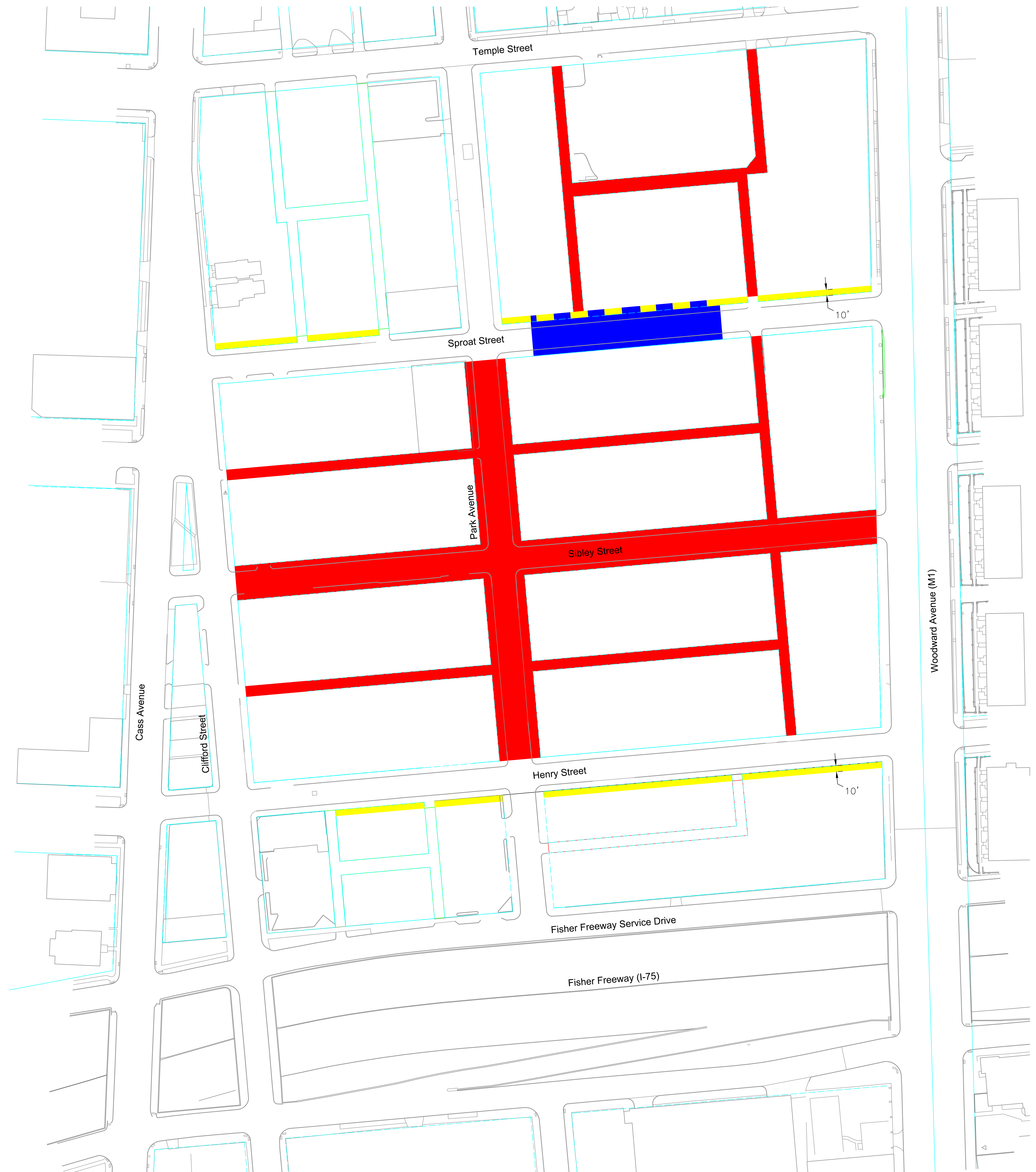


Executive:	STC
Manager:	MWM
Designer:	AGN
Quality Control:	STC
Section:	

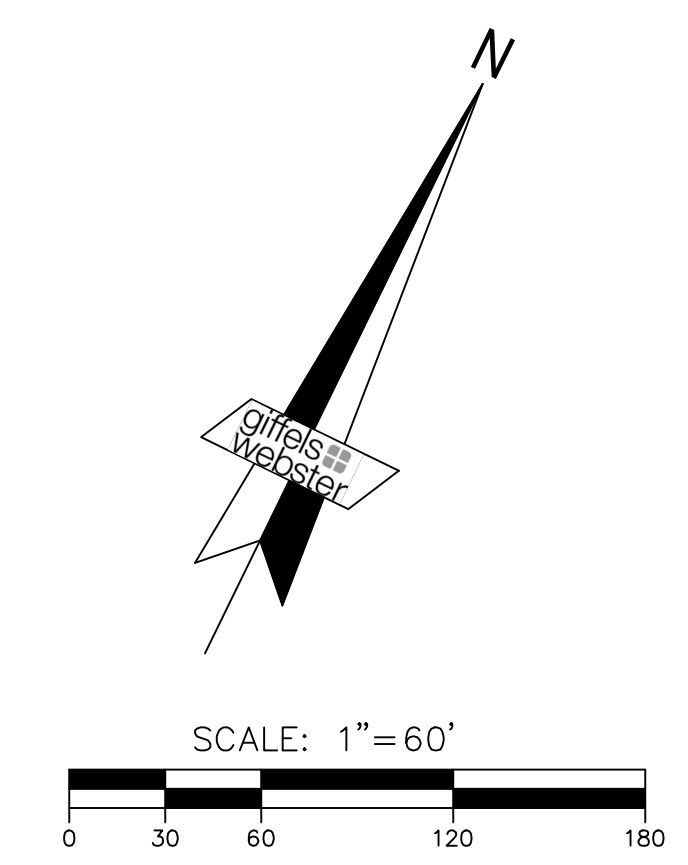
Professional Seal:



- CITY OF DETROIT RIGHTS-OF-WAY - OUTRIGHT VACATION AND UTILITY ABANDONMENT
- PROPOSED RIGHT-OF-WAY
- VACATION OF R.O.W. WITH PUBLIC VEHICULAR AND PEDESTRIAN ACCESS AGREEMENT - BELOW GRADE TRUCK DOCK.

DATE	ISSUE
2014-04-01	OWNER REVIEW

Developed For:



**CONCEPTUAL
VACATION &
EASEMENT PLAN**

DETROIT ENTERTAINMENT
& EVENTS CENTER

CITY OF DETROIT
WAYNE COUNTY
MICHIGAN

Date:	04.01.14
Scale:	N/A
Sheet:	C-4
Project:	18275.00D

Copyright © 2014 Giffels Webster. No reproduction, distribution or other use without the prior written consent of Giffels Webster.