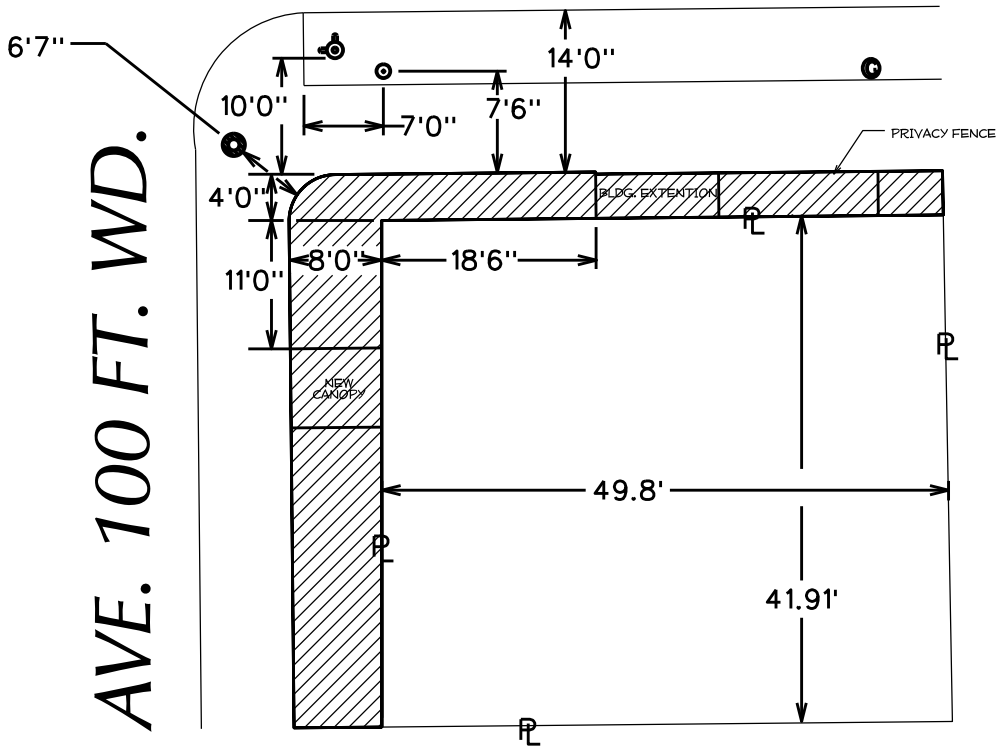






PETITION NO. 2246
 BRONX BAR
 4476 SECOND AVENUE
 DETROIT, MICHIGAN 48201
 C/O PAUL HOWARD
 PHONE NO. 313 961 5422



PRENTIS AVE. 60 FT. WD.

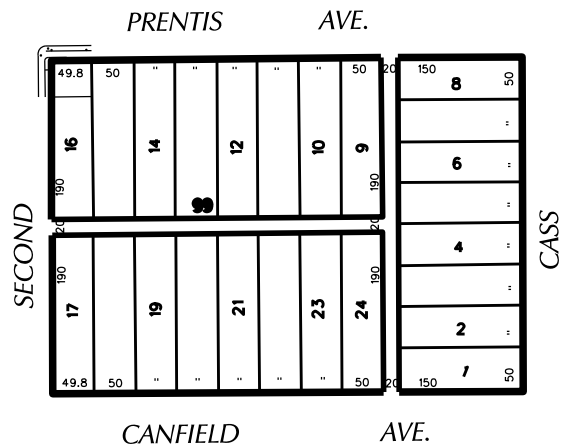


SECOND AVE. 100 FT. WD.

-  Fire hydrant
-  Light pole
-  Water manhole
-  Gas shut off



- AREA OF ENCROACHMENT
 (With A Deck)



(FOR OFFICE USE ONLY)

CARTO 30 E

B					
A					
DESCRIPTION	DRWN	CHKD	APPD	DATE	
REVISIONS					
DRAWN BY	KSM		CHECKED		
DATE	6-25-12		APPROVED		

REQUEST FOR ENCROACHMENT
 INTO SECOND AVENUE
 (With a deck)
 AT 4476 SECOND AVENUE

CITY OF DETROIT
 CITY ENGINEERING DEPARTMENT
 SURVEY BUREAU
 JOB NO. 01-01
 DRWG. NO. X2246.dgn