

FINAL ROW PLAN REVISIONS (SUBMITTAL DATE:)

NO.	DATE	AUTH	DESCRIPTION	NO.	DATE	AUTH	DESCRIPTION

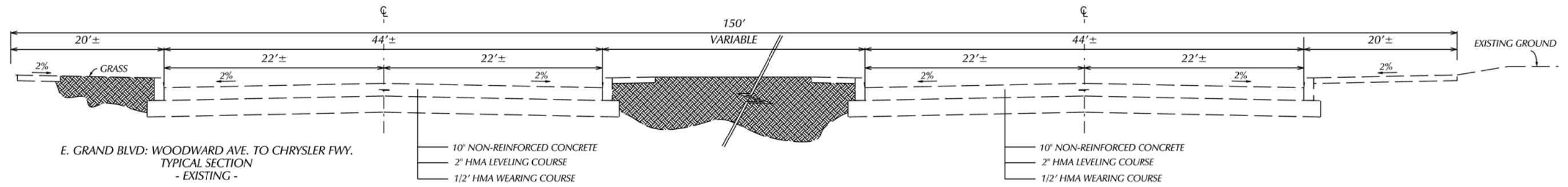


DESIGNED BY:	Alan Ko	APPROVED BY:	
DRAWN BY:	Sarmad Al Tameemi	DATE:	11 / 10 / 2020
CHECKED BY:			

CS:	
JN:	PW-6995

E. GRAND BLVD	
FROM WOODWARD AVE. TO CHRYSLER FWY.	

DRAWING	SHEET
	1 OF 2



FINAL ROW PLAN REVISIONS (SUBMITTAL DATE:)

NO.	DATE	AUTH	DESCRIPTION	NO.	DATE	AUTH	DESCRIPTION



DESIGNED BY : Alan Ko
 DRAWN BY : Sarmad Al Tameemi
 CHECKED BY :

APPROVED BY :
 DATE: 11 / 10 / 2020

CS:
 JN: PW-6995

E. GRAND BLVD
 FROM WOODWARD AVE. TO CHRYSLER FWY.
 TYPICAL SECTION - EXISTING

DRAWING SHEET
 2 OF 2