

Sewer Approved
A. Dwyer
 9/16/82

AUTOMATIC SCALE

REVISIONS	
NO.	DESCRIPTION

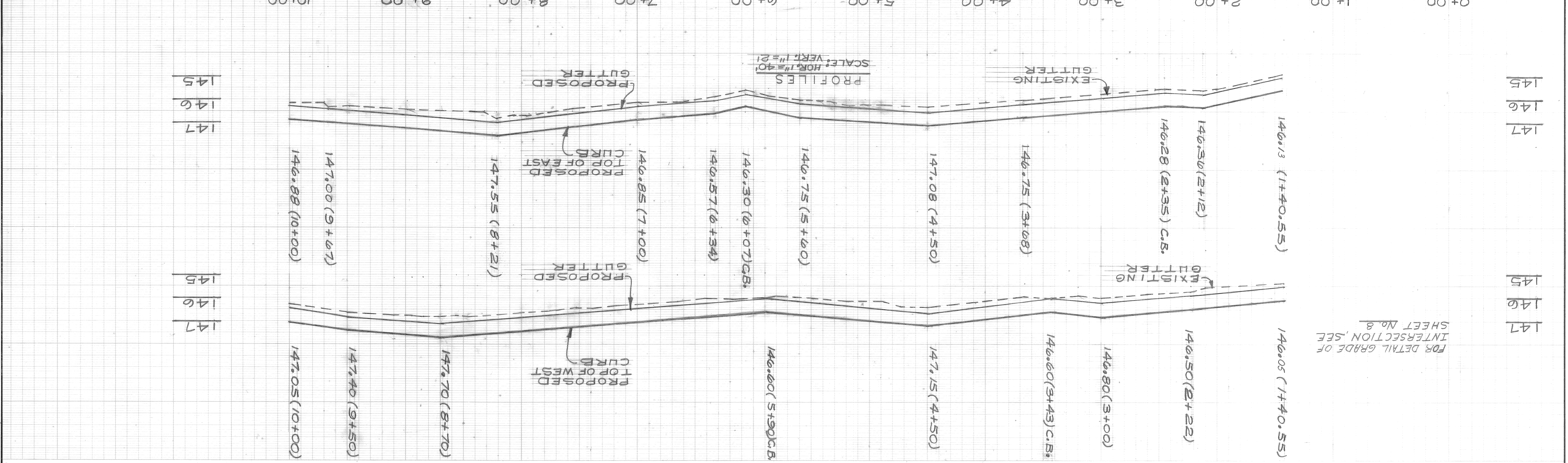
PLAN	GRADE	ESTIMATE	FINAL
JONES LISTON	L1STON	08-11	MA/1EJ
BY	CHECKED BY		

APPROVED: *William J. Kelly*
 ENGINEER OF STREETS
 CITY OF DETROIT

FOR
 BUREAUS OF STREETS AND HIGHWAYS
 CITY ENGINEERING DIVISION-D.P.W.

RUSSELL RESURFACING AND MISCELLANEOUS CONSTRUCTION
 FOREST PARK REHABILITATION PROJECT
 PAVING PLAN

INDEX NO.	SHEET NO.	CONTRACT NO.	ASSIGNMENT NO.	DATE
	6 OF 10 SHEETS	PW-6714	85-14-01	1-21-86



FOR DETAIL GRADE OF
 INTERSECTION, SEE
 SHEET No. 8

CONSTRUCTION LEGEND

- EXISTING BITUMINOUS SURFACE
- CONSTRUCT 4" STD. SIDEWALK
- CONSTRUCT 6" STD. SIDEWALK
- CONSTRUCT 6" DRIVEWAY
- CONSTRUCT SIDEWALK RAMP TYPE I
- CONSTRUCT SIDEWALK RAMP TYPE III
- EXISTING STORM DRAINAGE
- CONSTRUCT 9" WIDEN REIN. CONCRETE WITH REIN. MITERED CURB

NOTES:

- RESURFACING ONLY FROM STA. 1+40 TO STA. 20+00
- FOR SECTION Z-Z SEE SHT. NO. 7
- PROPOSED STORM DRAINAGE CONSTRUCTED UNDER PW-6659 "NOT IN THIS CONTRACT"
- FOR QUANTITIES SEE SHEET #9

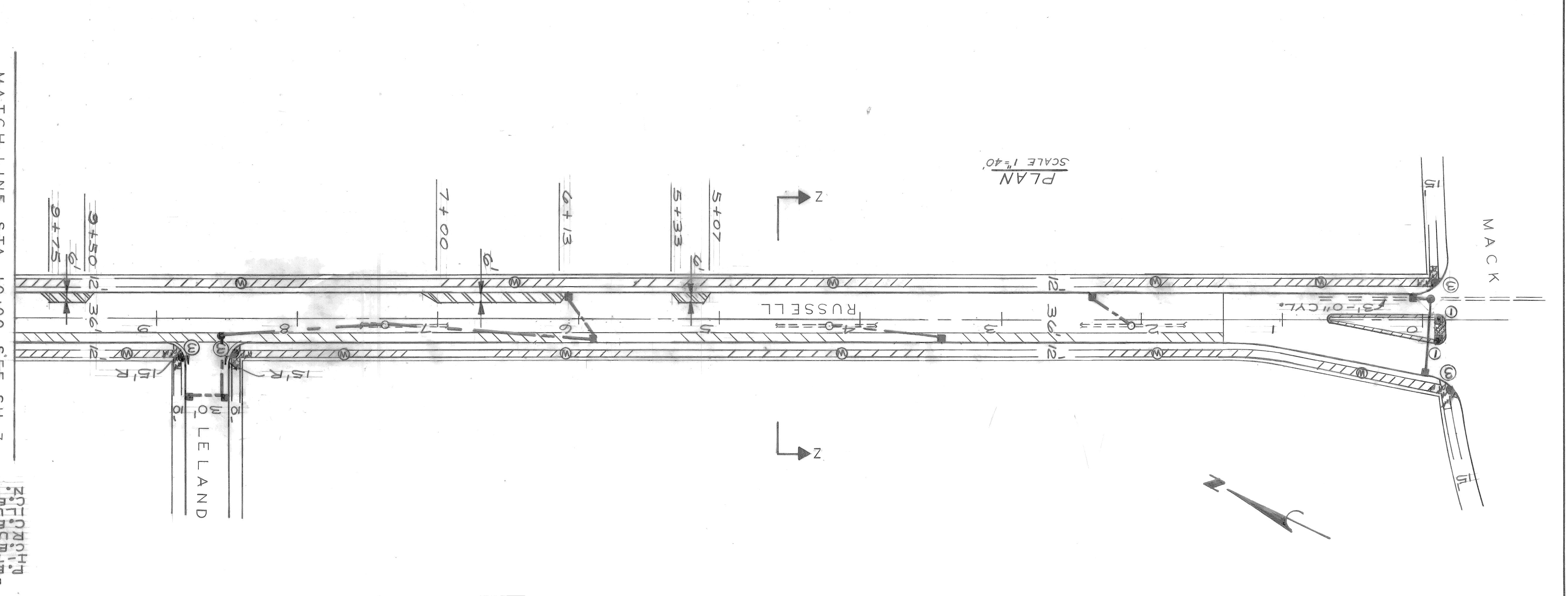
MARKS

BENCH
 P.B.M. * 40-350 LELAND BRG. # H-75 @ N.E. SER. DR. EL. 149.10
 C.B.M. # HYD. N.S. LELAND W.S. EL. 150.29
 RUSSELL
 C.B.M. # HYD. N.E. CORN. RUSSELL # EL. 149.76
 ILLINOIS
 C.B.M. # HYD. E.S. RUSSELL # 70 EL. 148.87
 N. OF N.E. MACK

CONSTRUCTION LEGEND

MATCH LINE STA. 10+00 SEE SH. 7

PLAN SCALE 1"=40'



SCALE	VERTICAL	HORIZONTAL
	1"=2'	1"=40'

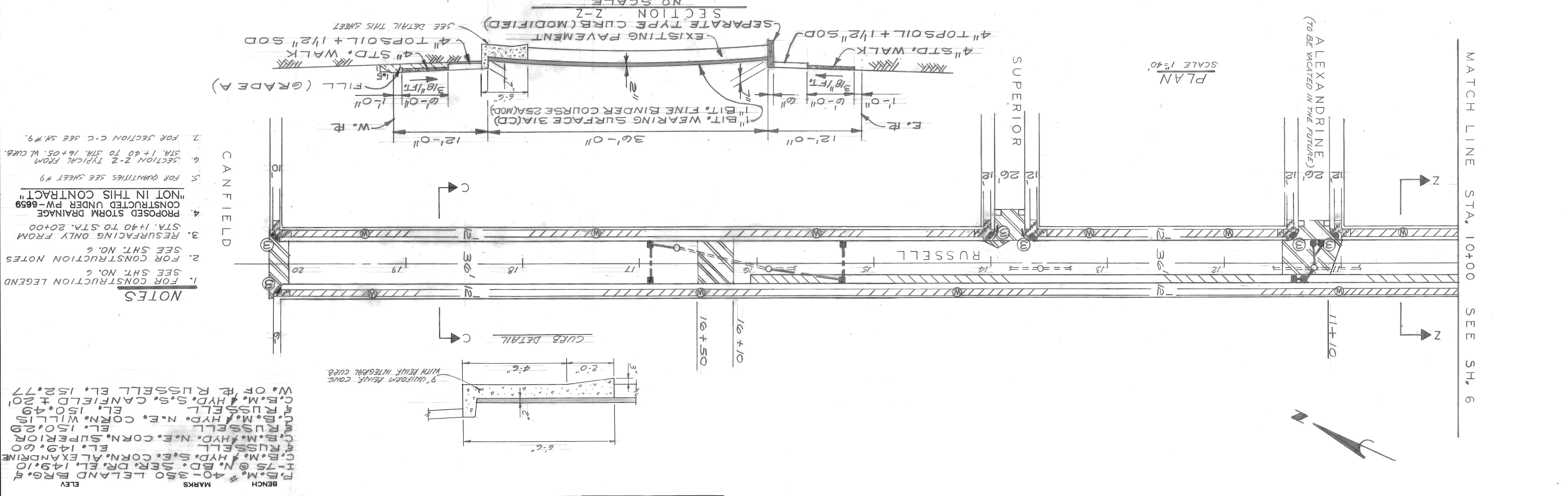
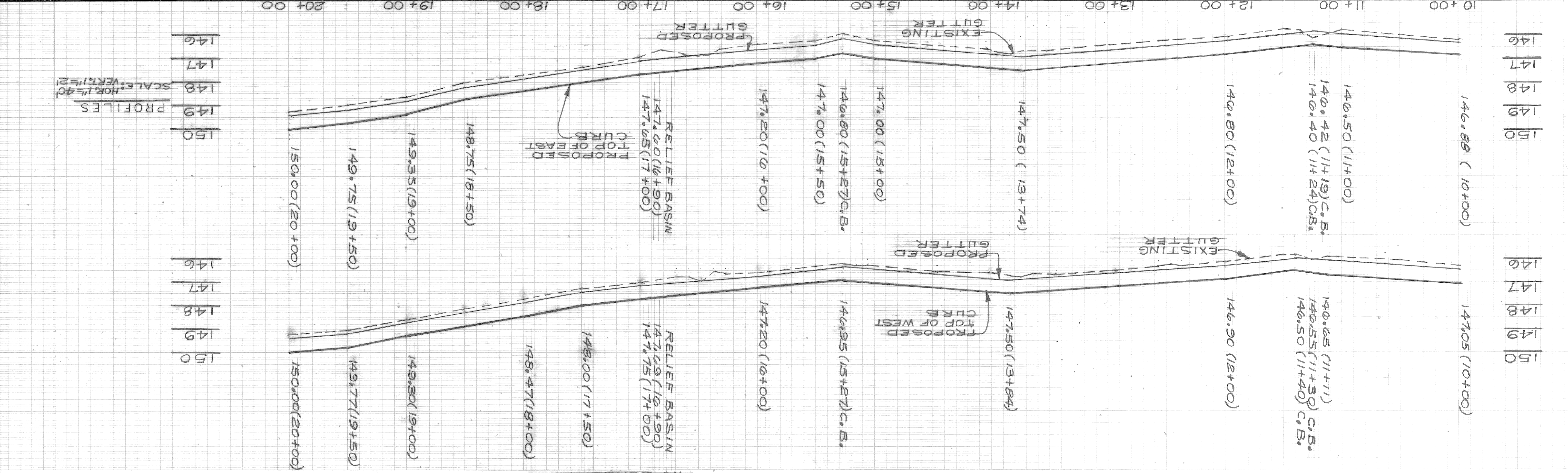
BOOK	LEVEL	DATE
440 D(10)	DEC 81	

NOTE - FOR SYMBOLS ETC. SEE STANDARD DETAIL DRAWING NO. C-111

Sewer Approved
Robert
 9/16/32

DRAWING NO. 6659

REVISIONS DESCRIPTION OR N. C. K. D. M. P. O. DATE PLAN GRADE ESTIMATE FINAL		CHECKED BY APPROVED BY ENGINEER OF STREETS <i>William J. Jones</i>	CITY OF DETROIT CITY ENGINEERING DIVISION-D.P.W. BUREAUS OF STREETS AND HIGHWAYS FOR	RUSSELL RESURFACING AND MISCELLANEOUS CONSTRUCTION FOREST PARK REHABILITATION PROJECT PAVING PLAN	INDEX NO. SHEET 7 OF 10 SHEETS CONTRACT NO. PW-6714 ASSIGNMENT NO. 85-14-01 DATE 1-21-86
--	--	---	---	---	--



NOTE - FOR SYMBOLS ETC. SEE STANDARD DETAIL DRAWING NO. C-1175

CONTRACTOR: BEFORE STARTING CONSTRUCTION, CHECK WITH UTILITIES FOR LOCATIONS OF EXISTING STRUCTURES WHENEVER NOT INDICATED ON PLAN.

BOOK: LL40D(10) DATE: 12/81

SCALE: HORIZONTAL 1"=40' VERTICAL 1"=4'

MARKS: BENCH MARKS # 40-350 TELAND BRG. 4
 H-75 @ N.B.D. SER. DR. EL. 149.10
 C.R.M. HYD. S.E. CORN. ALEXANDRINE
 C.R.M. HYD. S.E. CORN. SUPERIOR
 C.R.M. HYD. S.E. CORN. WILKIS
 C.R.M. HYD. S.S. CANFIELD ± 201
 W. OF R. RUSSELL EL. 152.77

NOTES:
 1. FOR CONSTRUCTION LEGEND SEE SHT. NO. 6
 2. FOR CONSTRUCTION NOTES SEE SHT. NO. 6
 3. RESURFACING ONLY FROM STA. 14+0 TO STA. 20+00
 4. PROPOSED STORM DRAINAGE CONSTRUCTED UNDER PW-6659 "NOT IN THIS CONTRACT"
 5. FOR QUANTITIES SEE SHEET #9
 6. SECTION 2-2 TYPICAL FROM STA. 14+0 TO STA. 16+05. W. CURB.
 7. FOR SECTION C-C SEE SHT. #9.