

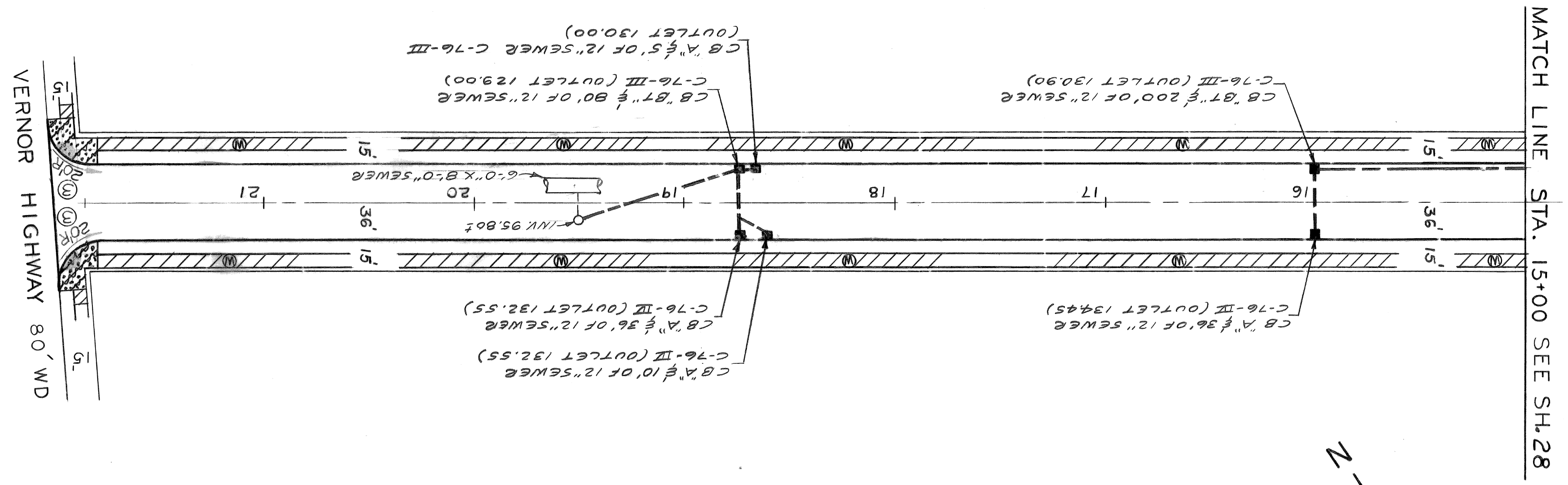
Sewer Approved
 12/11/75
 J. Brown

BOOK	138(7) 124
NO.	138(7) 124
DATE	10-1-75
LEVEL	
BEFORE STARTING CONSTRUCTION	
MUST CHECK WITH UTILITIES FOR LOCATIONS OF EXISTING	
STRUCTURES WHETHER OR NOT INDICATED ON PLAN.	
NOTE - FOR SYMBOLS ETC. SEE STANDARD DETAIL DRAWING NO. C-175	

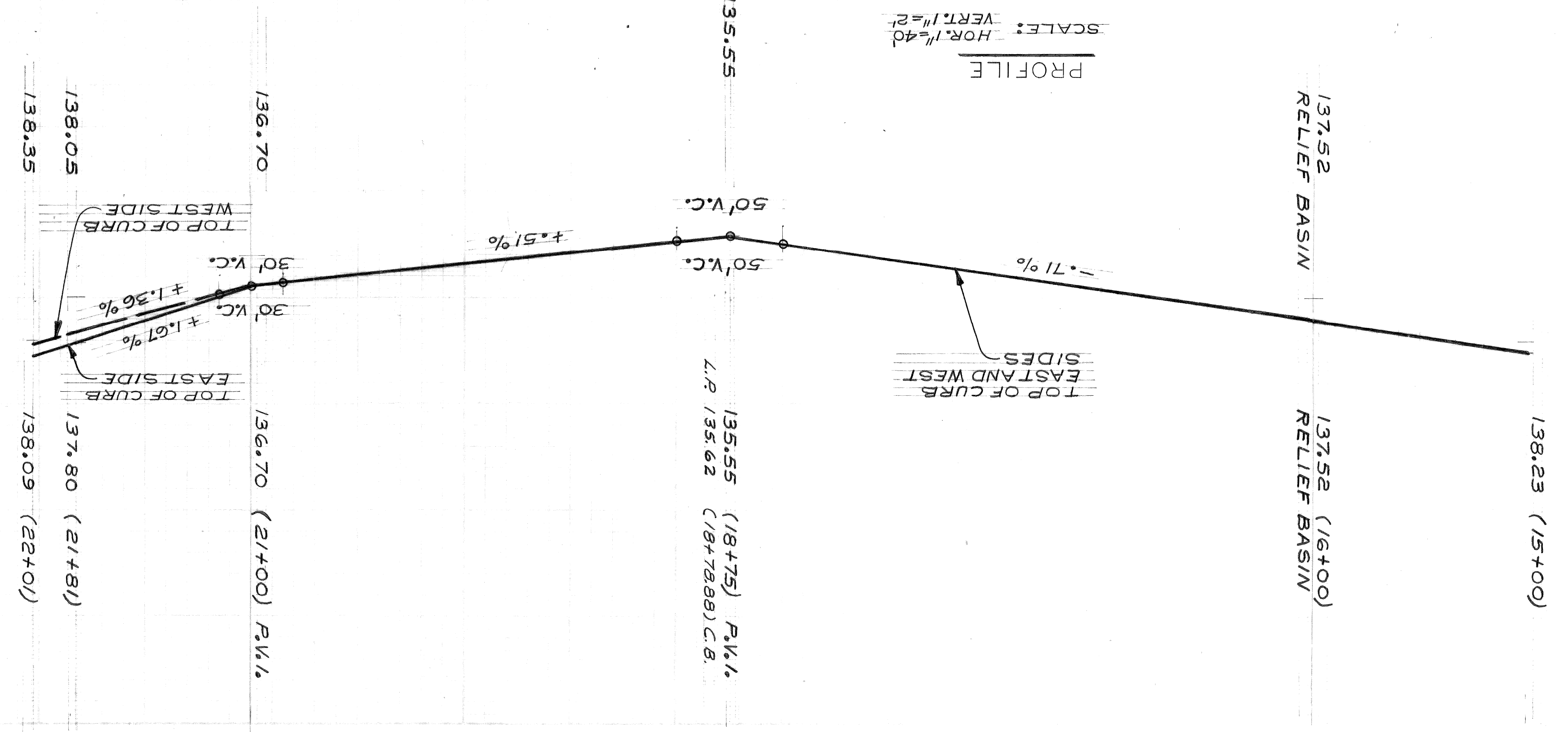
BENCH MARKS
 ELEV

CBM # ON HYD. SW. COR. JAY-M-DOUGALL 14106
 CBM # ON HYD. NW. COR. VERNOR HWY-M-DOUGALL 14094

NOTES:
 1. FOR CONSTRUCTION LEGEND SEE SHEET *27
 2. FOR CONSTRUCTION NOTES SEE SHEET *27



135
136
137
138
139



NO. INDEX	12	INDEX NO.	12
SHEET	29	OF	103
SHEETS	SHEETS		
CONTRACT NO.	PW 6575	CONTRACT NO.	PW 6575
ASSIGNMENT NO.	AO 2294	ASSIGNMENT NO.	AO 2294
DATE	12-15-75	DATE	12-15-75

PAVING PLAN
 THE MC DOUGALL-MULLETT LOOP
 MISCELLANEOUS CONSTRUCTION
 ELWOOD PARK REHABILITATION PROJECT
 NO. 3 MICH R-123

CITY OF DETROIT
 CITY ENGINEERING DEPARTMENT
 BUREAU OF STREETS AND HIGHWAYS
 FOR
 COMMUNITY AND ECONOMIC DEVELOPMENT DEPARTMENT

APPROVED BY	APPROVED BY
ENGINEER OF STREETS	ENGINEER OF STREETS
BY	BY
CHECKED BY	CHECKED BY
PLAN	PLAN
GRADE	GRADE
ESTIMATE	ESTIMATE
FINAL	FINAL
REVISIONS	REVISIONS