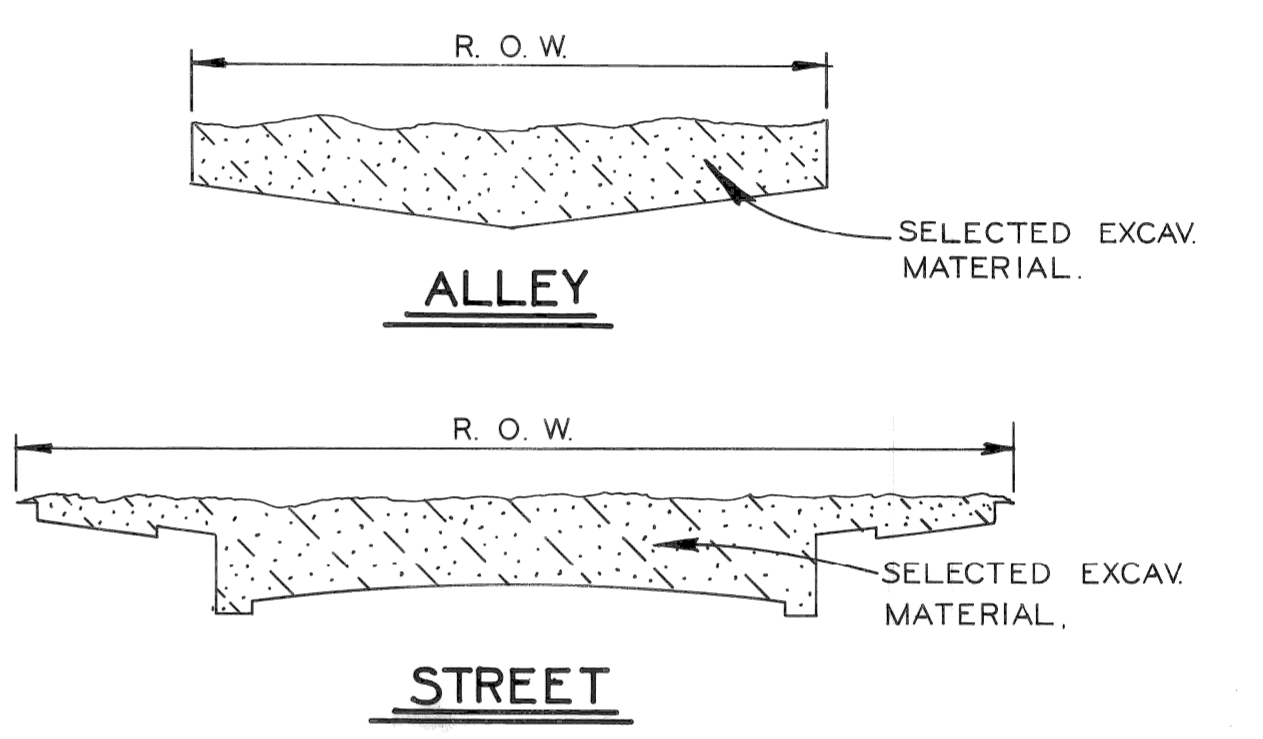


QUANTITIES			A5
ITEM	UNIT	QUANTITY	BUILT
CATCH BASIN "B" WITH TRAP	EA.	1	1
CATCH BASIN "B"	EA.	1	0
CATCH BASIN-ABANDONMENT	EA.	14	11
MANHOLE ADJUSTMENT	EA.	6	6
MANHOLE - STANDARD	EA.	1	1
MANHOLE -(SEWER) ABANDONMENT	EA.	1	1
STREET PAV'T REMOVAL-UNREINF.	SYD.	4,723	4,723
ALLEY PAV'T REMOVAL	SYD.	2,207	2,207
SIDEWALK REMOVAL	SFT.	21,047	21,047
DRIVEWAY REMOVAL	SFT.	371	371
TREE REMOVAL (13" TO 24")	EA.	2	2
TREE REMOVAL (25" TO 32")	EA.	2	3
TREE REMOVAL (40" AND OVER)	EA.	1	1
STUMP REMOVAL	EA.	1	1
FILL (GRADE A)	CYD.	156	156
GRADING ABANDONED STREETS	SYD.	7612	7,612
GRADING ABANDONED ALLEYS	SYD.	2,207	2,207
SEPARATE CURB TYPE II MOD. UNREINF.	LFT.	300	312
12" SEWER UNDER PAV'T (C-76-III)	LFT.	24	8
SIDEWALK-4"	SFT.	2,796	3,068
SODDING	SYD.	100	0
STEEL BEAM GUARD RAIL	LFT.	695	0
SINGLE BEAM BARREL BARRICADE (FROM HX-3)	LFT.	12.5	0

REMOVAL	LEGEND
Street Pavement Removal (Unreinf.)	
Alley Pavement Removal	
Driveway Removal	
Sidewalk Removal	
Tree Removal	
Catch Basin Abandonment	(A)
Manhole-(Sewer) Abandonment	(B)
Manhole-Adjustment	(C)

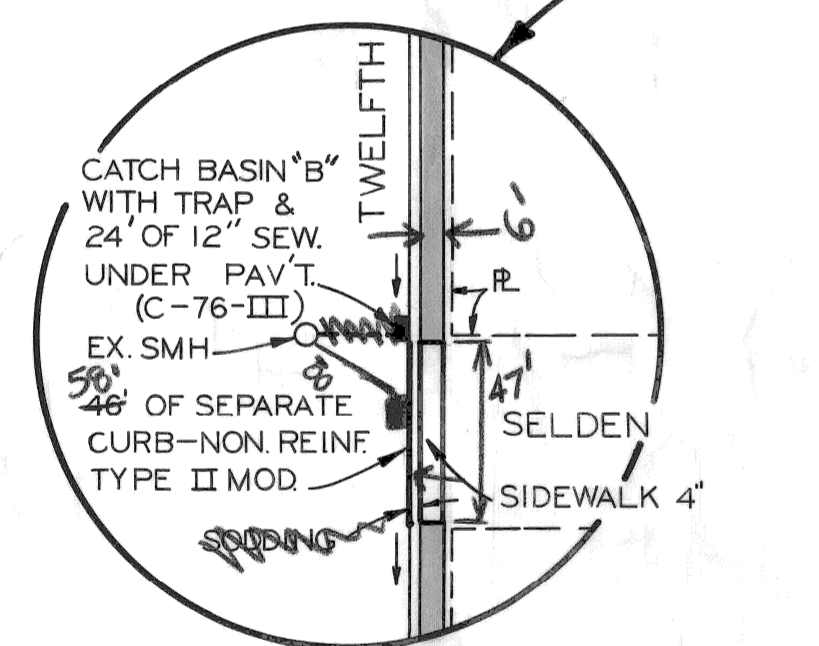
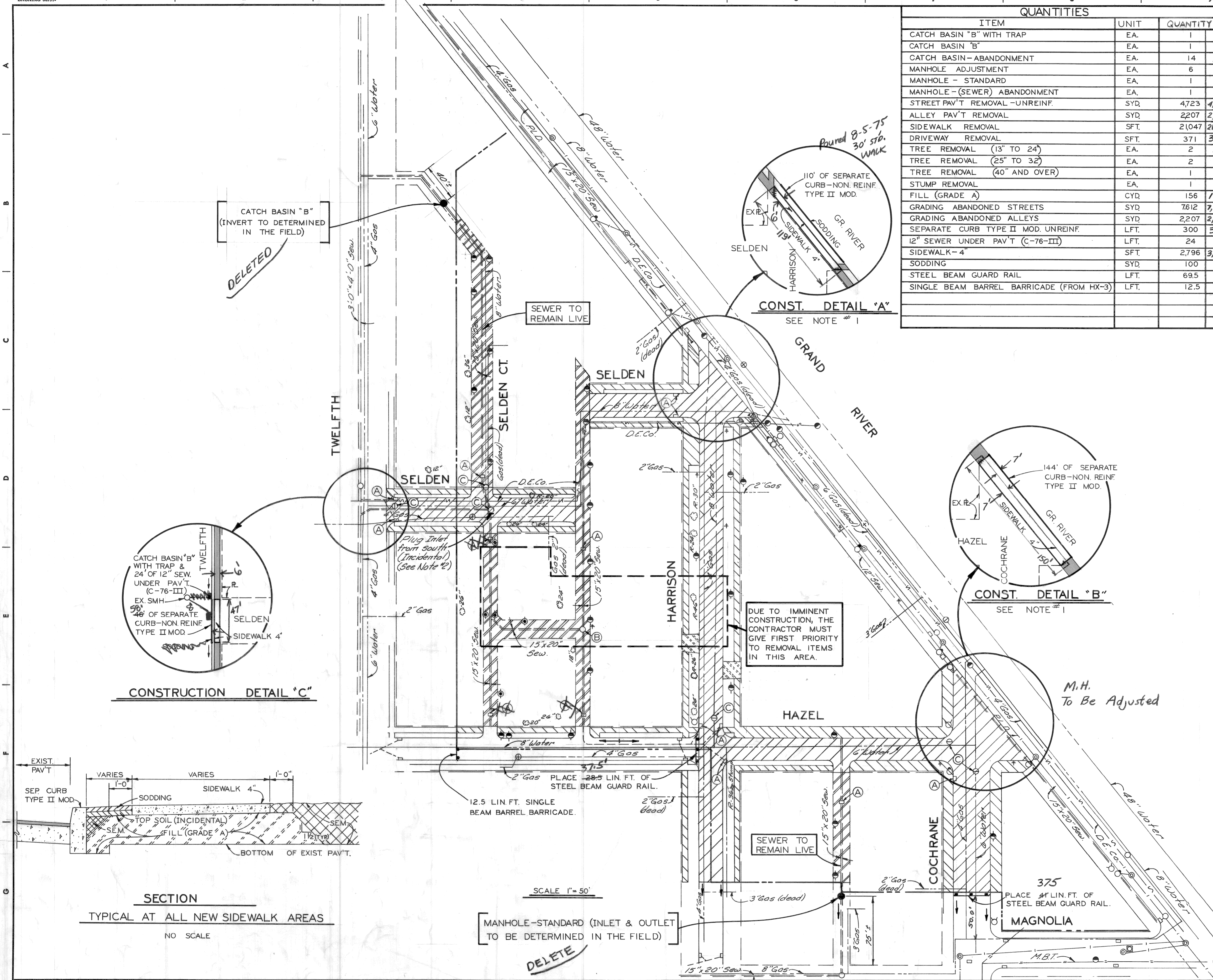
APPROX. 4027 CU.YD OF SELECTED EXCAVATED MATERIAL IS NEEDED AS BACKFILL FOR THIS PROJECT.



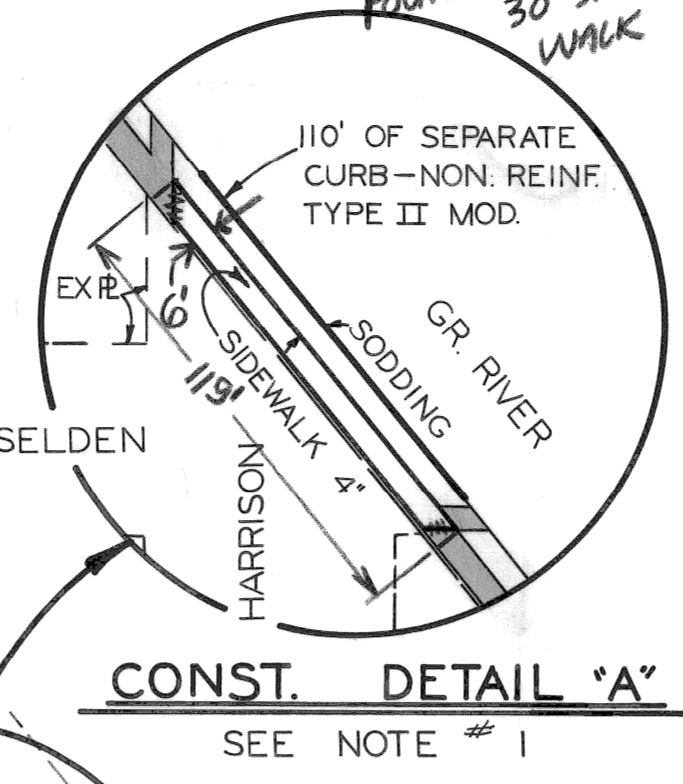
TYPICAL FILL SECTIONS

- Notes:
- City Forces will heater-plane Grand River at the intersection. Heater-planing must be done prior to constructing curb along Grand River.
 - Plug manhole inlet from south as per city specification, Article 2.111.14. Manhole to remain live.

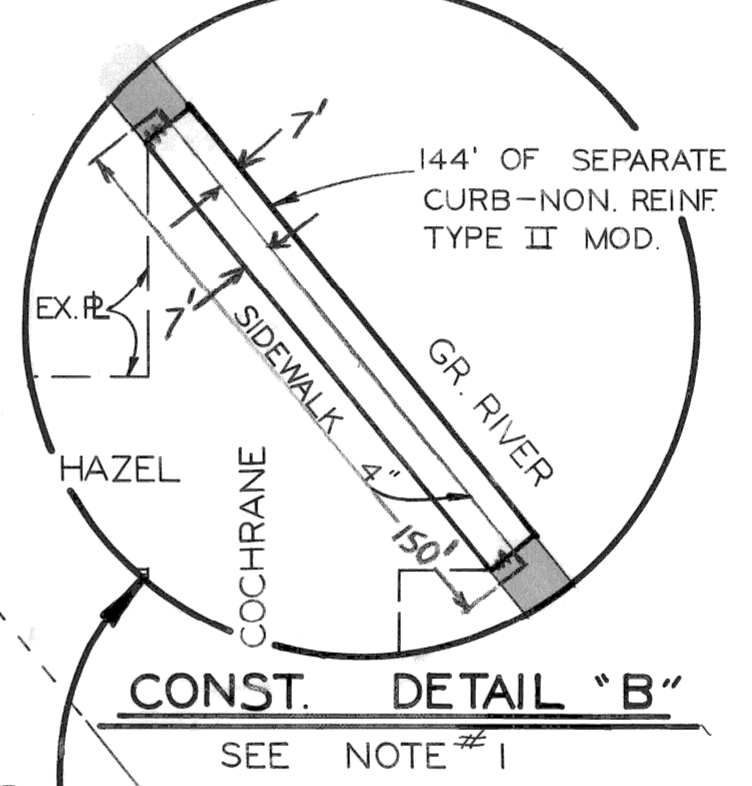
CALL MISS DIG
48 HOURS PRIOR TO
CONSTRUCTION 647-7344



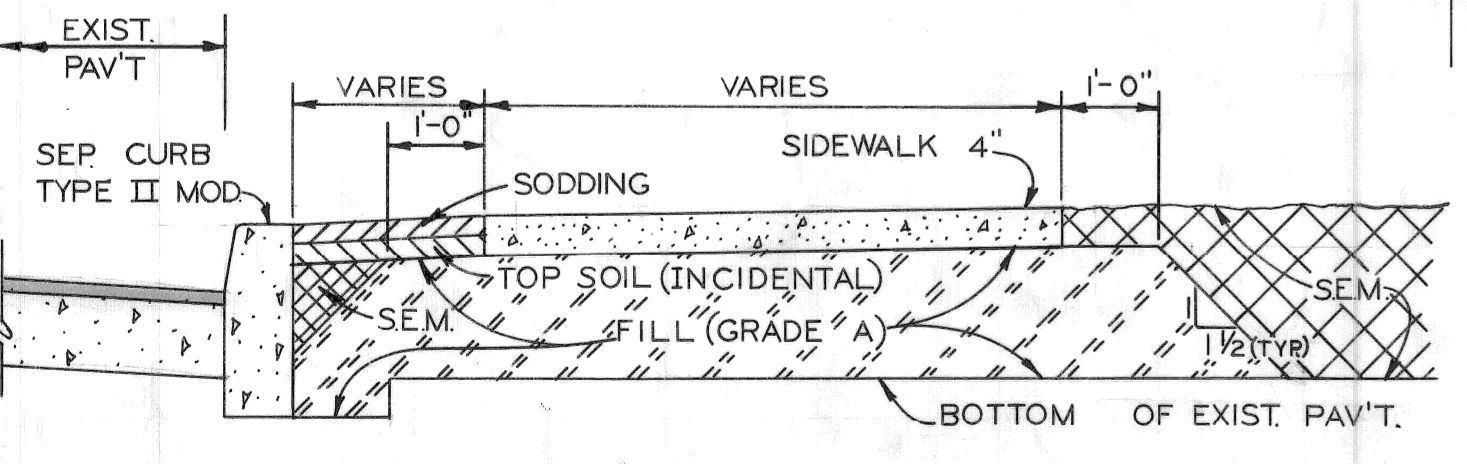
CONSTRUCTION DETAIL "C"



CONST. DETAIL "A"
SEE NOTE # 1



CONST. DETAIL "B"
SEE NOTE # 1



SECTION
TYPICAL AT ALL NEW SIDEWALK AREAS
NO SCALE

MANHOLE-STANDARD (INLET & OUTLET TO BE DETERMINED IN THE FIELD)

DELETE

DESIGNED BY	R. PLATER	APPROVED:	
DRAWN BY	SUCECH		
TRACED BY			
CHECKED BY	R. PLATER		

CITY OF DETROIT
DEPARTMENT OF PUBLIC WORKS
CITY ENGINEERS OFFICE
FOR

SELDEN COURT REHABILITATION PROJECT

REMOVAL AND CONSTRUCTION

SHEET	1	OF	1	SHEETS
CONTRACT	No. PW. 6553			
ASSIGN.No.	2285			
DATE	JAN. 14, 1975			