

| CONTRACTOR | |
|-----------------------|-----------|
| SCALE | |
| LOTS & ALLEYS | |
| STREET WIDTH | |
| VERTICAL | |
| SUPPLEMENTARY DETAILS | |
| C-4375 THROUGH C-4599 | |
| DATE | REVISIONS |

| QUANTITIES | ESTIMATED | |
|---------------------------|-------------------|------|
| | LOTS | CITY |
| EXCAVATION CU. YDS. | | |
| PAVEMENT REMOVAL SQ. YDS. | | |
| CURB REMOVAL LFT. | | |
| FILL | TYPE A | |
| | TYPE 22A | |
| ADJUST MANHOLES | SEWER | |
| MANHOLES | RE-CONSTRUCT CONE | |
| | NEW | |
| CATCH BASIN ADJUST | | |
| CATCH BASIN STANDARD NEW | | |
| 12" SEWER PIPE LFT. | | |
| PAVING SQ. YDS. | | |

| QUANTITIES | ESTIMATED | |
|------------------------------|-----------------|------|
| | LOTS | CITY |
| PAVING SQ. YDS. | | |
| PAVING UNIF. SQ. YDS. | | |
| CURB-TYPE II LFT. | | |
| TEST CORES EACH | | |
| SIDEWALK 6" STANDARD SQ. FT. | | |
| CONCRETE DRIVE | 8" STD. SQ. FT. | |
| | 5" STD. SQ. FT. | |
| TREE REMOVAL 6"-18" DIA. | | |
| TREE REMOVAL 18"-18" DIA. | | |

ASSIGNMENT NO. **1708A&B**

BOOK NO. PG. LEVEL DATE

LOTS SL. LENGTH

CITY SL. LENGTH

TOTAL LENGTH

DATE OF DRAW'G. **JAN. 26, 1968**

DRAINAGE COMPLETED

PAVING COMPLETED

GROUP NO. _____

INDEX NO. _____

TOPO NO. _____

INDEXED _____

BY *R. Balen Carlo J. Javed*

CHECKED BY _____

PROFILE _____

GRADE _____

SEWER APPROVED _____

ESTIMATE _____

FINAL CHECK _____

APPROVED _____

D. Lattin
MECH. ENGINEER

R. T. [Signature]
ASSY. CITY ENGINEER

[Signature]
CITY ENGINEER

CONTRACT NO. P.W. **5759**

STREET PAVING PLAN
CITY OF DETROIT
ELMWOOD PARK REHABILITATION PROJECT
DEPARTMENT OF PUBLIC WORKS-CITY ENGINEERS OFFICE

NO. 1 MICHA
NO. 2 MICHA
NO. 3 MICHA

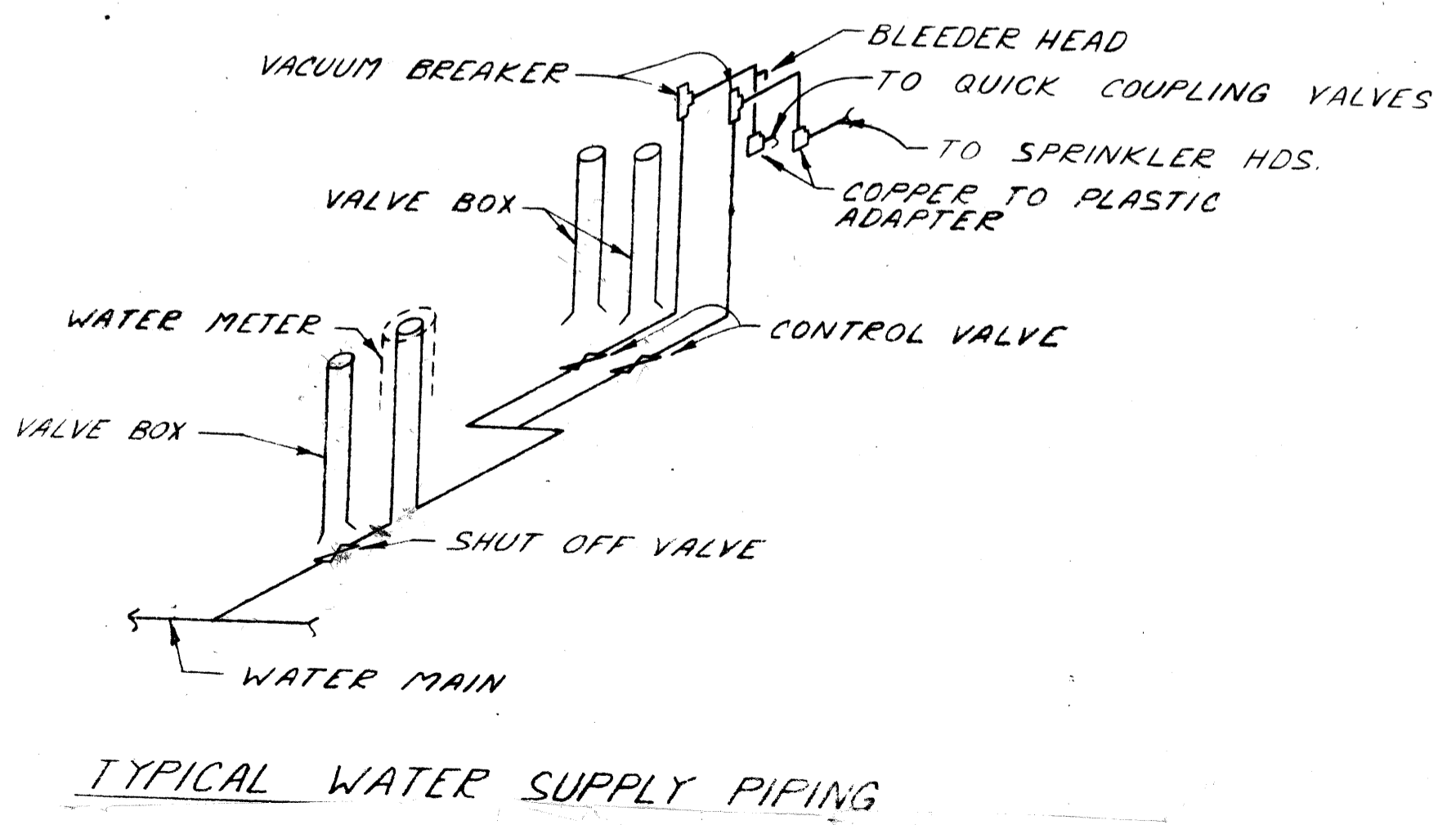
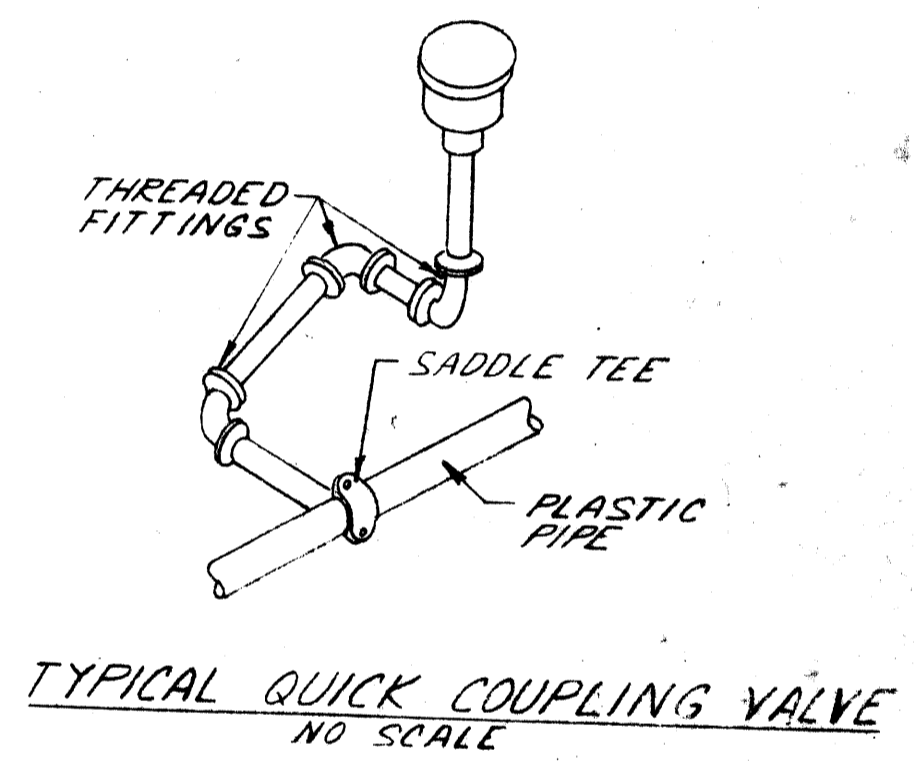
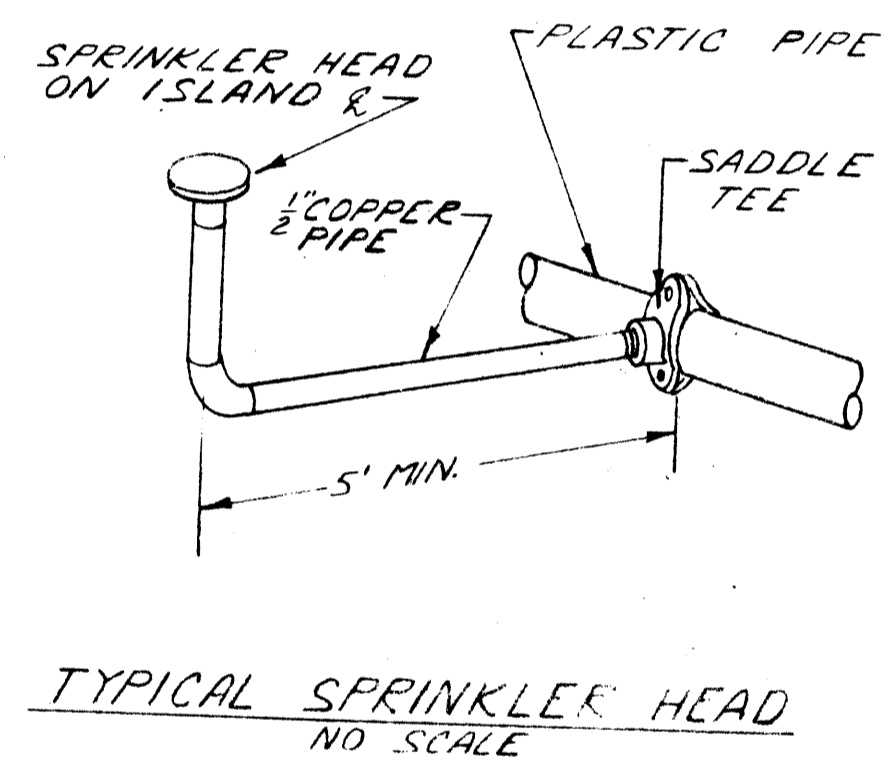
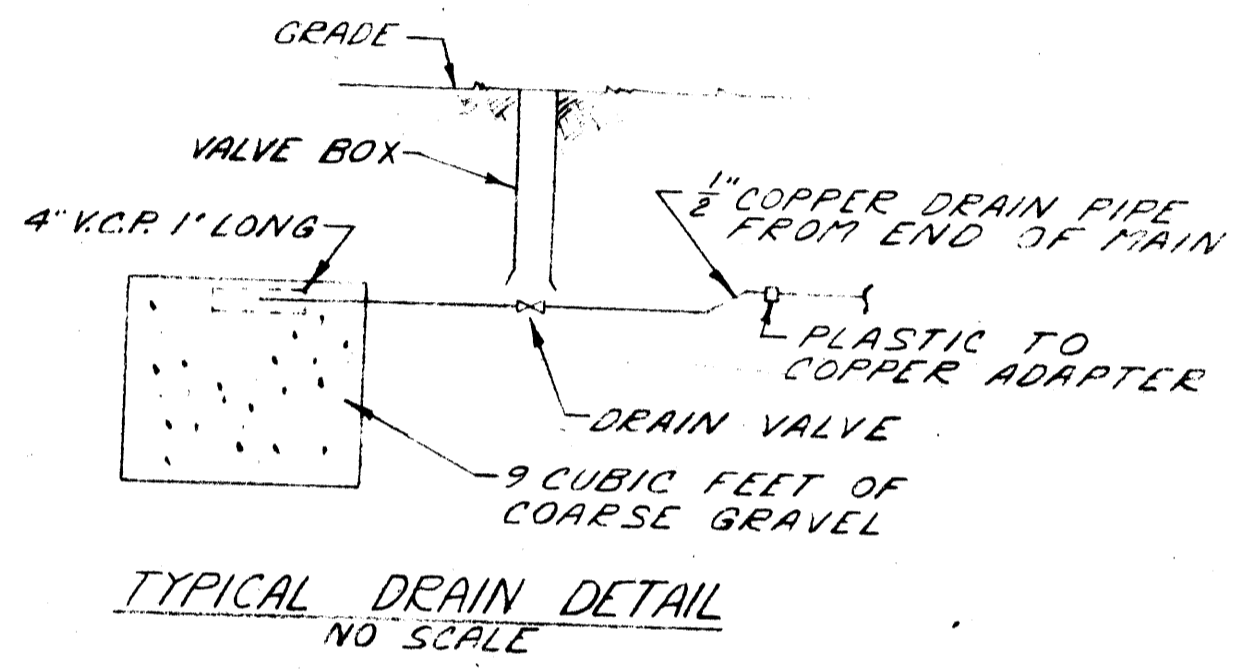
NAME OF STREET **LAFAYETTE**

FROM **NEW ST. AUBIN**

TO **STA. 25+80**

LAWN WATERING SYSTEM

SHEET 40
OF
44 SHEETS
PT. NO.



960309336

