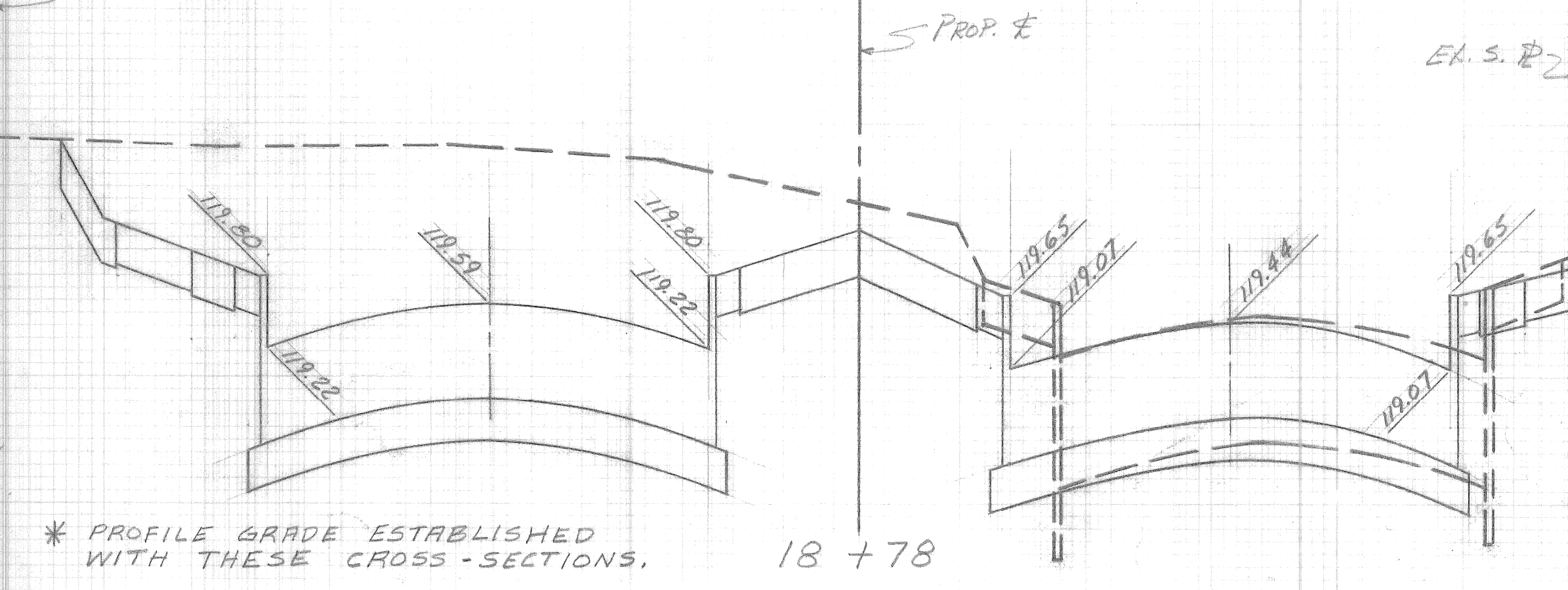
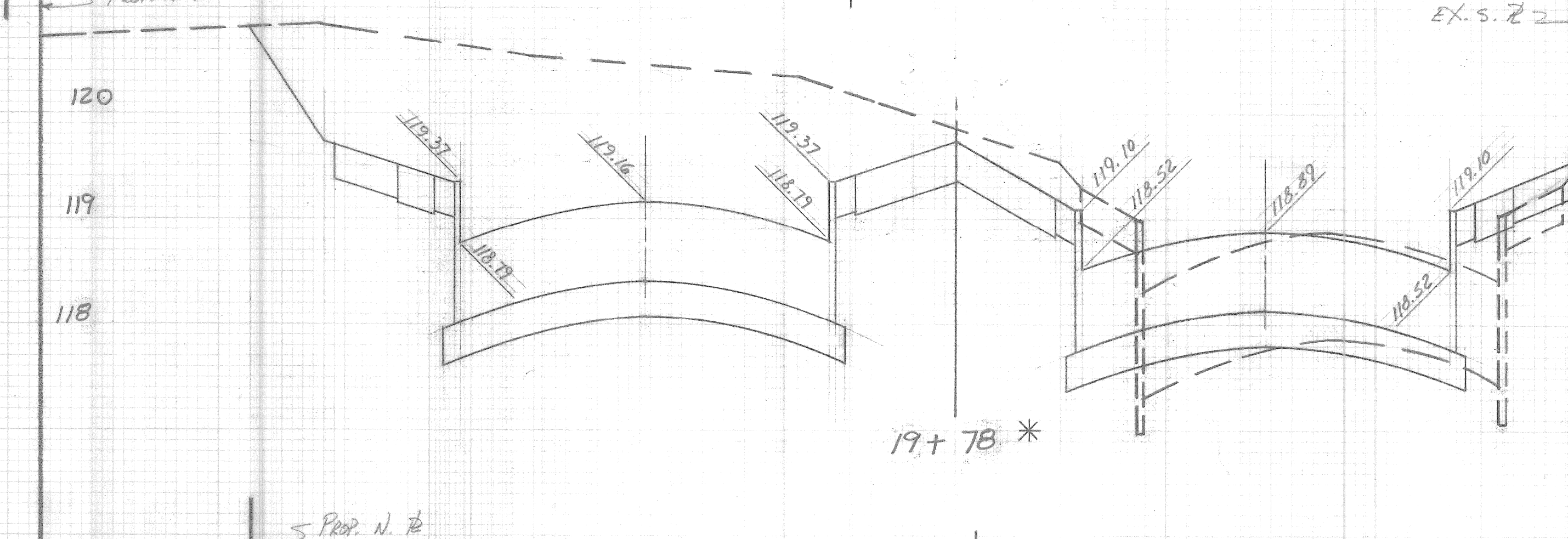
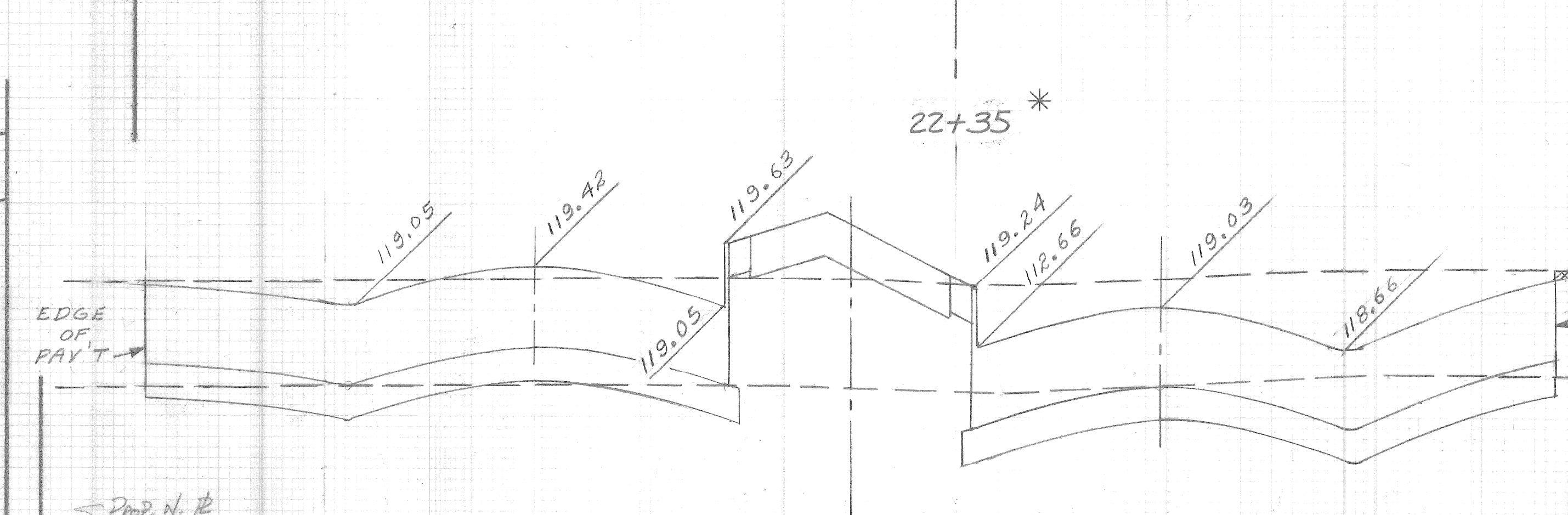
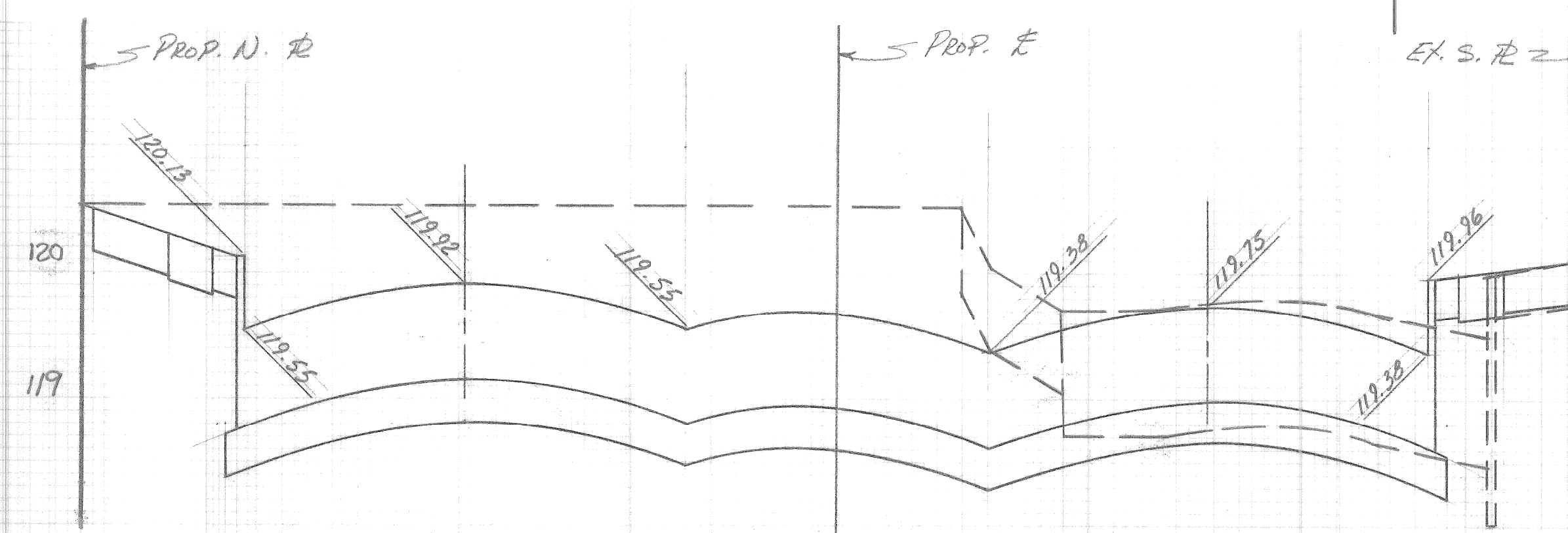
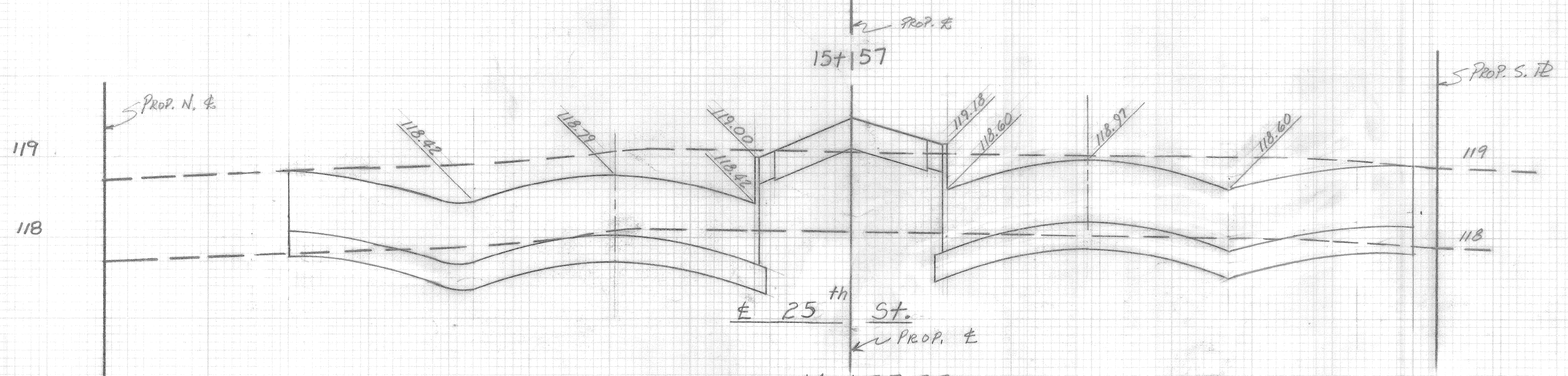
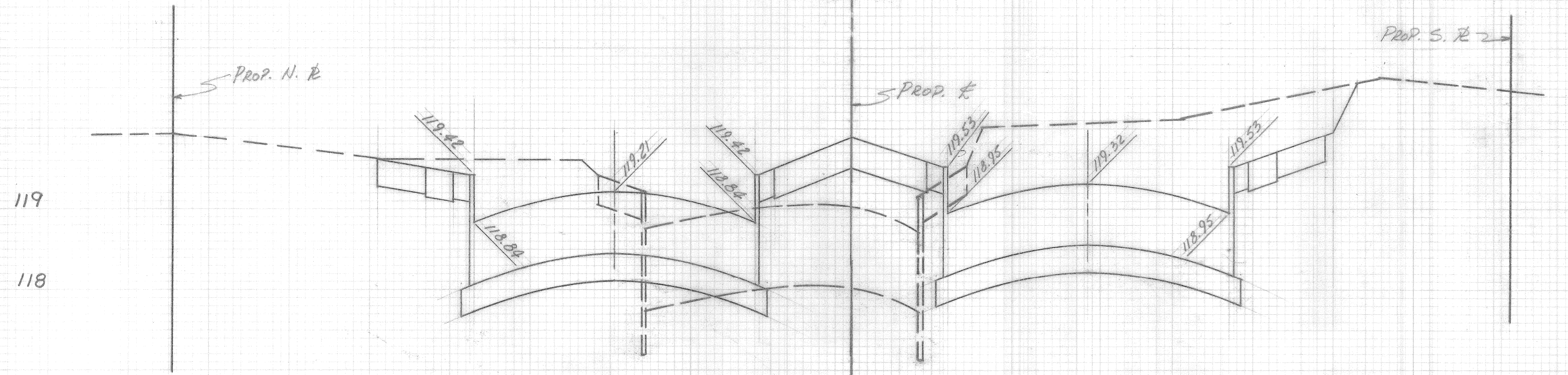
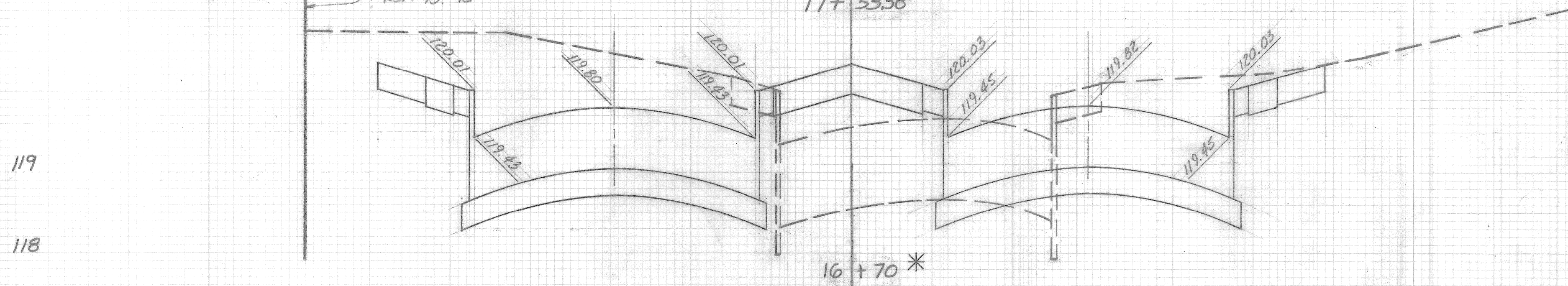
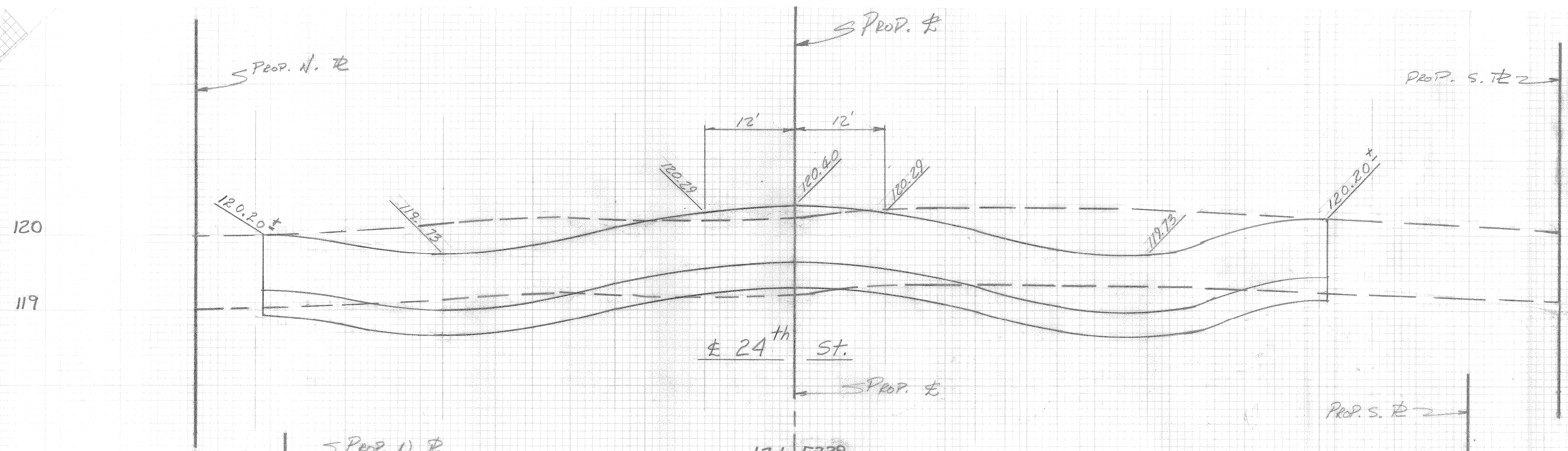


* ESTABLISHED PROFILE GRADE WITH THESE CROSS-SECTIONS

Scale: 1" = 10' Horiz.
1" = 1' Vert.

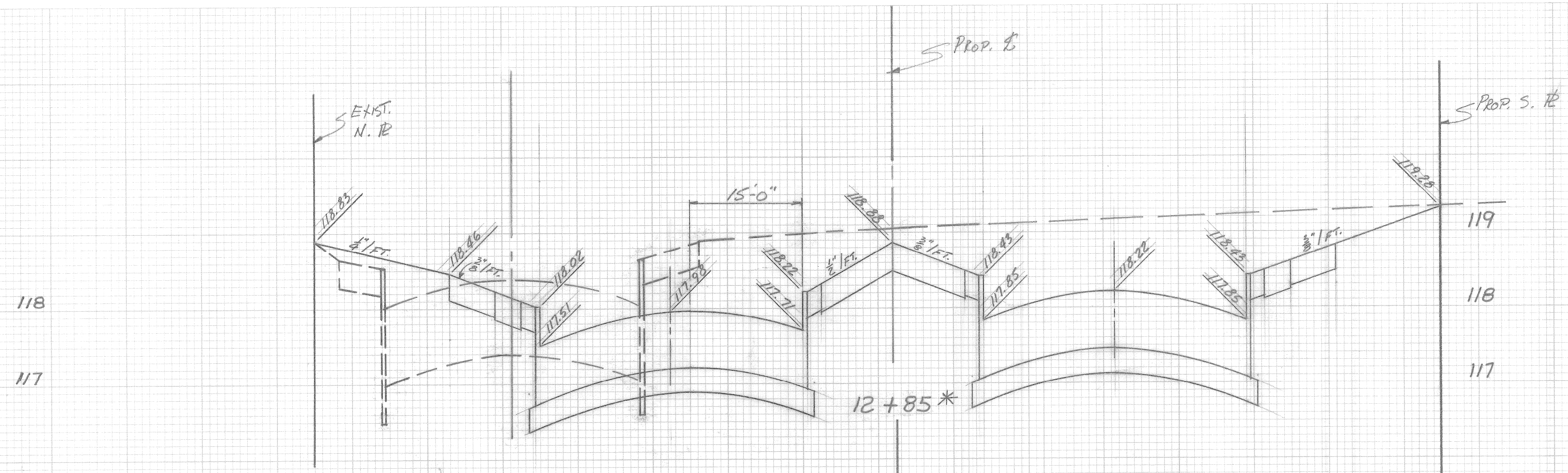
M.L. KING JR. BLVD. - W. GRAND BLVD. TO JEFFRIES FREEWAY - CROSS SECTIONS - STA 23+35 TO STA 26+50



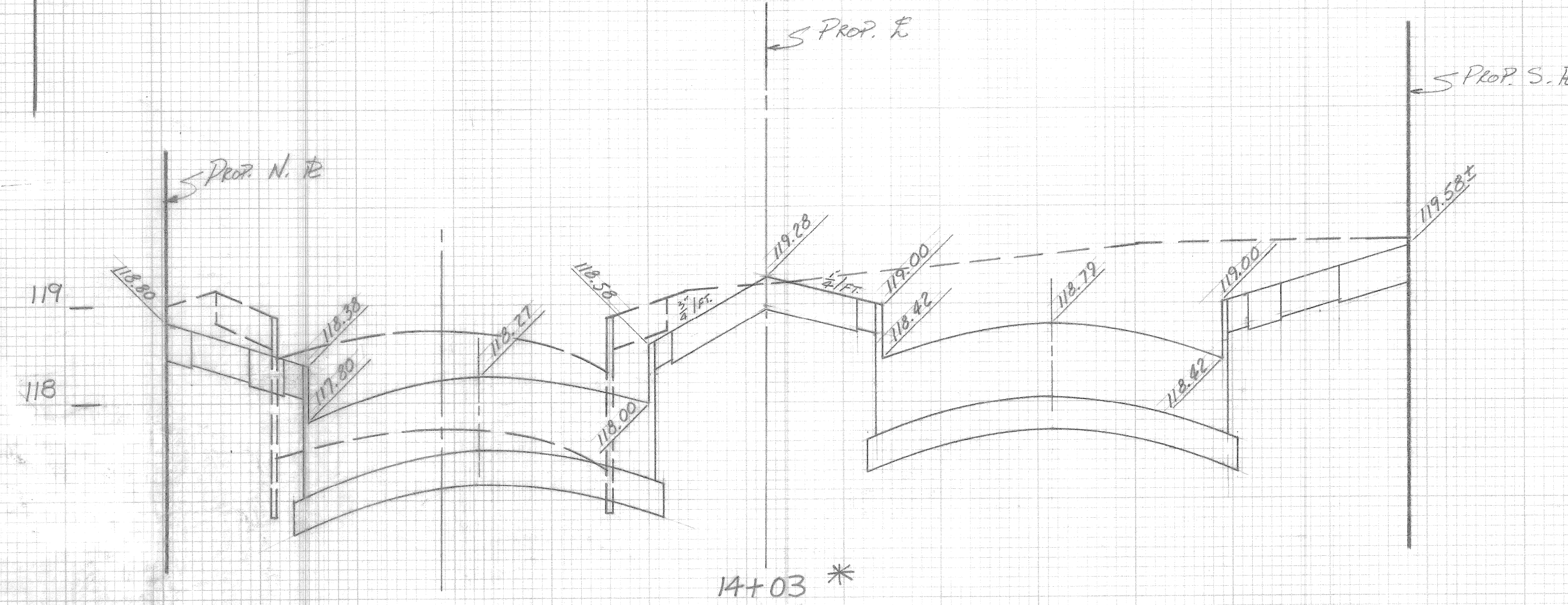
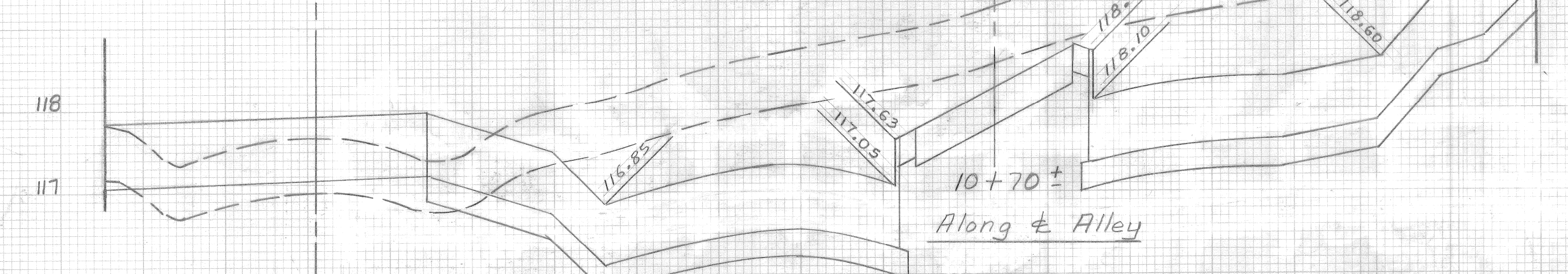
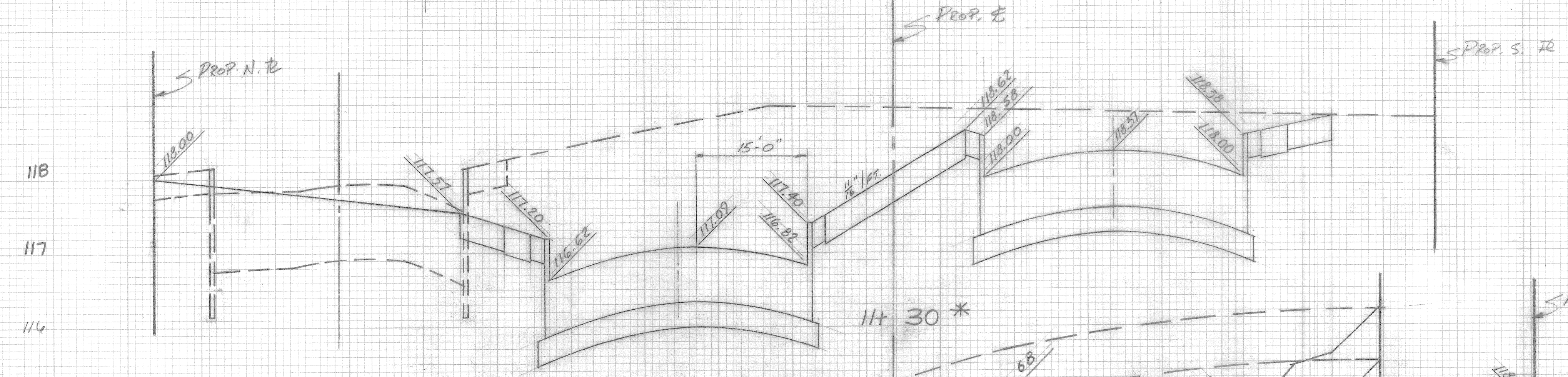
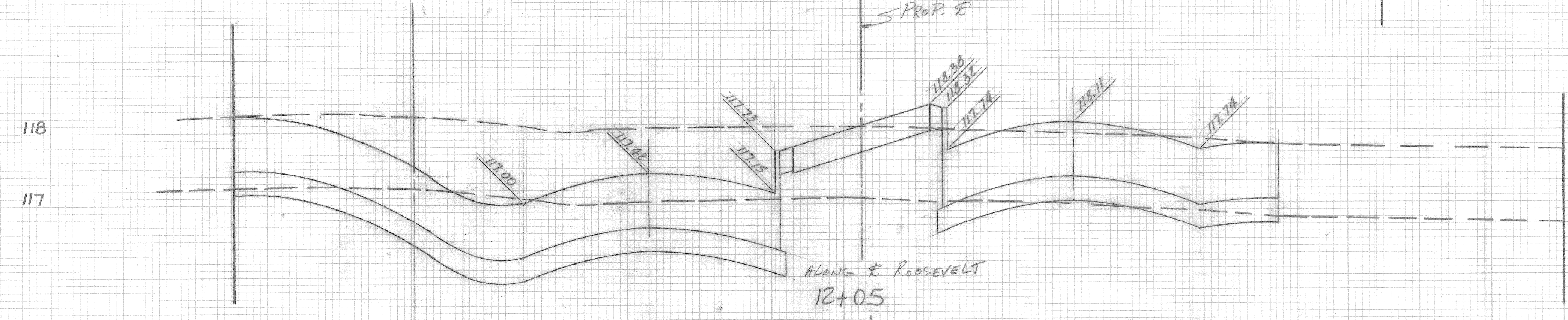
M. L. KING JR. BLVD. - W. GRAND BLVD. TO JEFFRIES FREEWAY - CROSS SECTIONS - STA 14+77.23 TO STA 22+35

Scale: 1" = 10' Horiz.
1" = 1' Vert.

* PROFILE GRADE ESTABLISHED WITH THESE CROSS-SECTIONS.



* ESTABLISHED PROFILE GRADE WITH THESE CROSS-SECTIONS



M.L. KING JR. BLVD. - W. GRAND BLVD. TO JEFFRIES FREEWAY - CROSS SECTIONS - STA 10+10 TO STA 14+03
 Scale: 1" = 10' Horiz.
 1" = 1' Vert.