

G					
F					
E					
D					
C					
B					
A					
NOTED BY	DESCRIPTION	DRN	CKD	APVD	DATE
	REVISIONS				

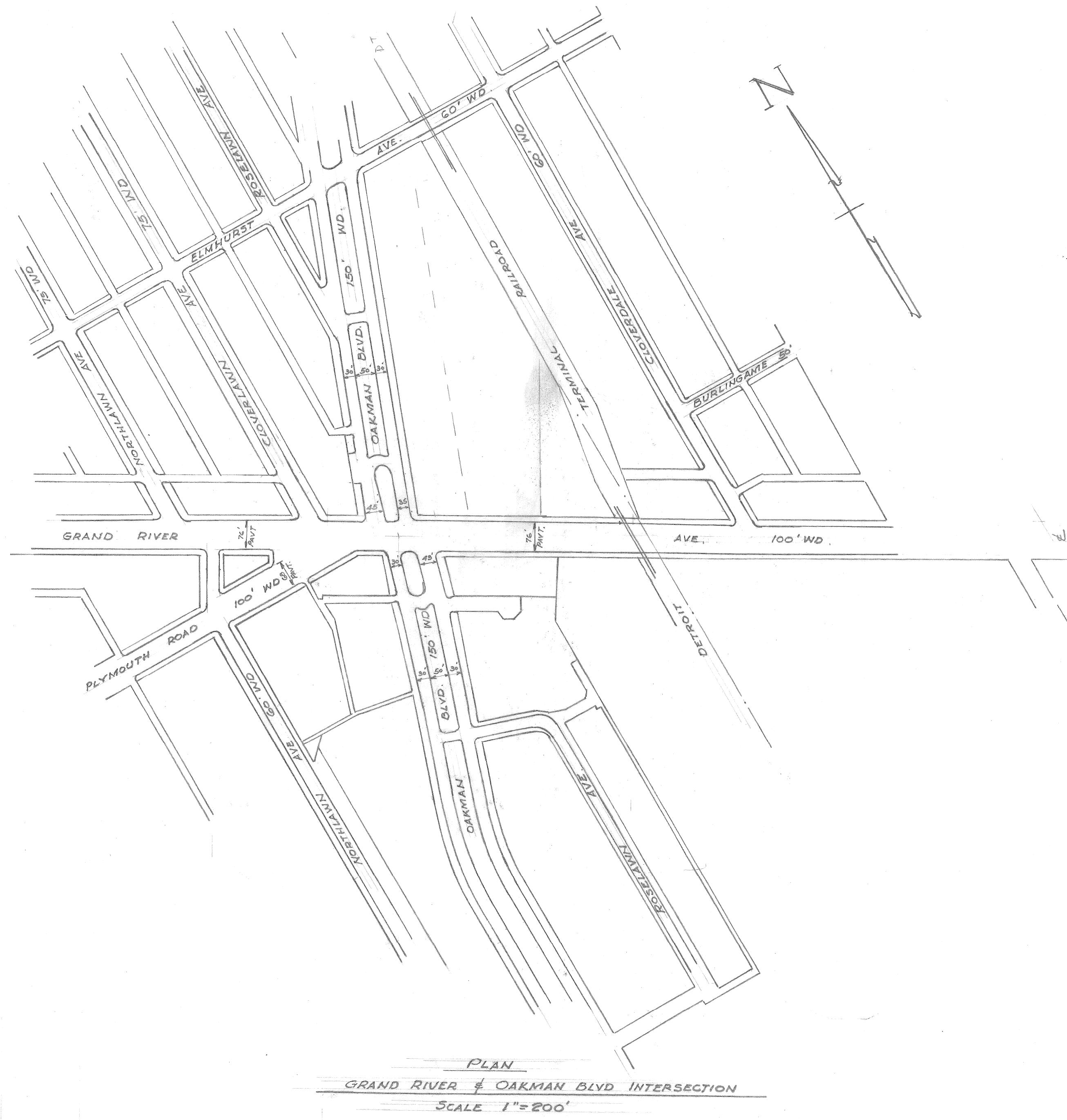
REFERENCE DRAWINGS	DESIGNED BY	A. DERARDUCCI	APPROVED:
	DRAWN BY	J. HAMPSHIRE	
	TRACED BY		
	CHECKED BY		CITY ENGINEER

CITY OF DETROIT
DEPARTMENT OF PUBLIC WORKS
CITY ENGINEERS OFFICE

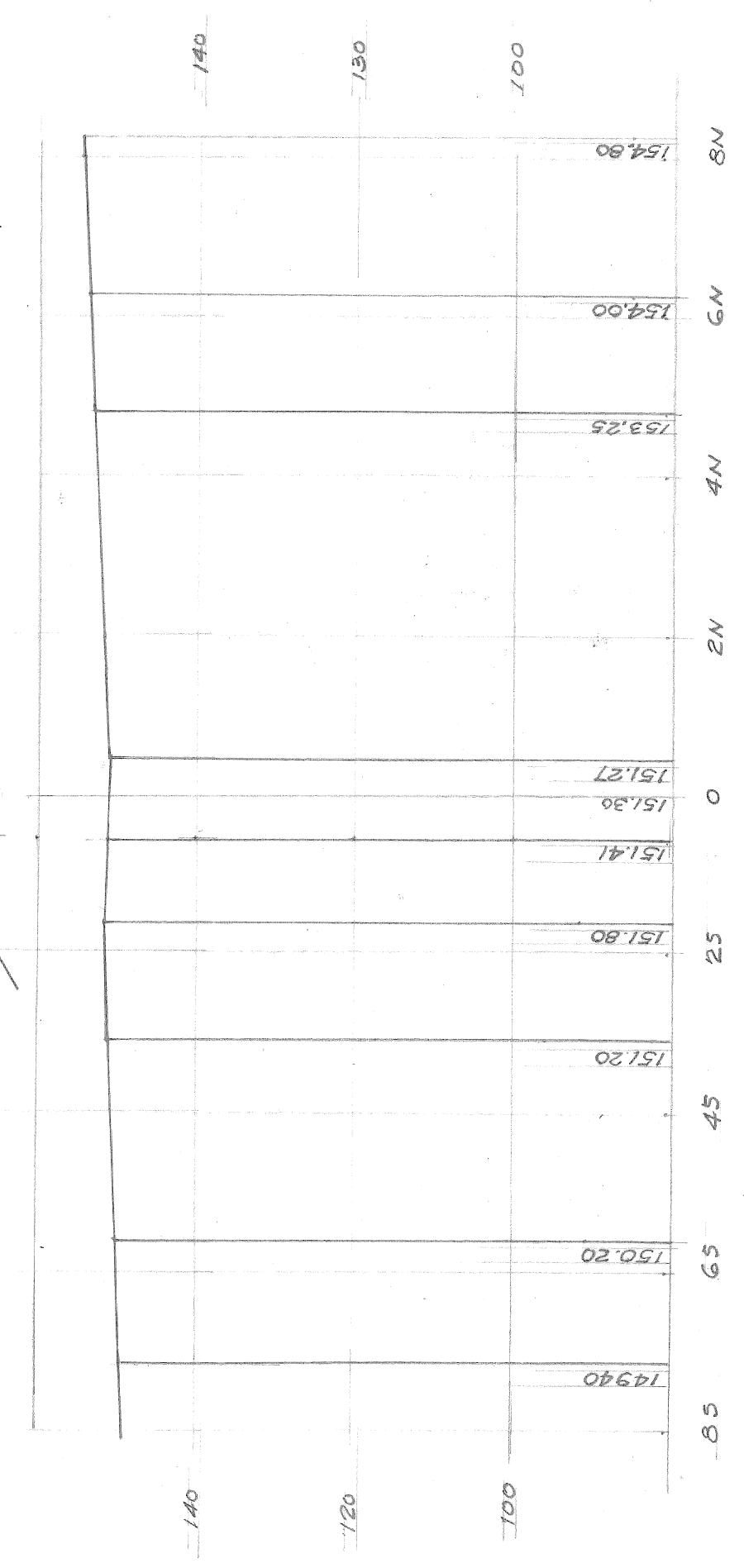
GRADE SEPARATION
WARREN AVE & GRAND RIVER.

SHEET ___ OF ___ SHEETS
JOB No.
DRWG No.
DATE FEB. 9, 1950

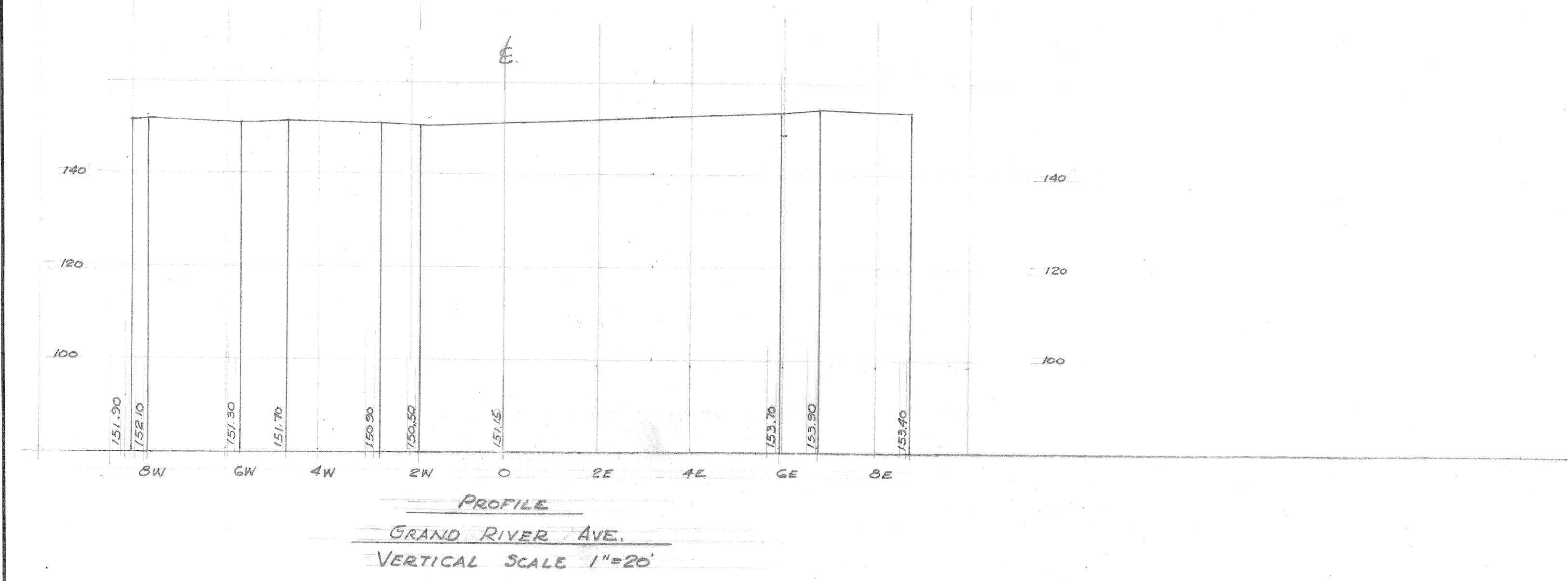
8-6(7)



PLAN
 GRAND RIVER & OAKMAN BLVD INTERSECTION
 SCALE 1"=200'



PROFILE
 OAKMAN BOULEVARD
 VERTICAL SCALE 1"=20'



PROFILE
 GRAND RIVER AVE.
 VERTICAL SCALE 1"=20'

G									
F									
E									
D									
C									
B									
A									
NOTED BY	DESCRIPTION	DRN	CHK'D	APVD	DATE				
	REVISIONS								

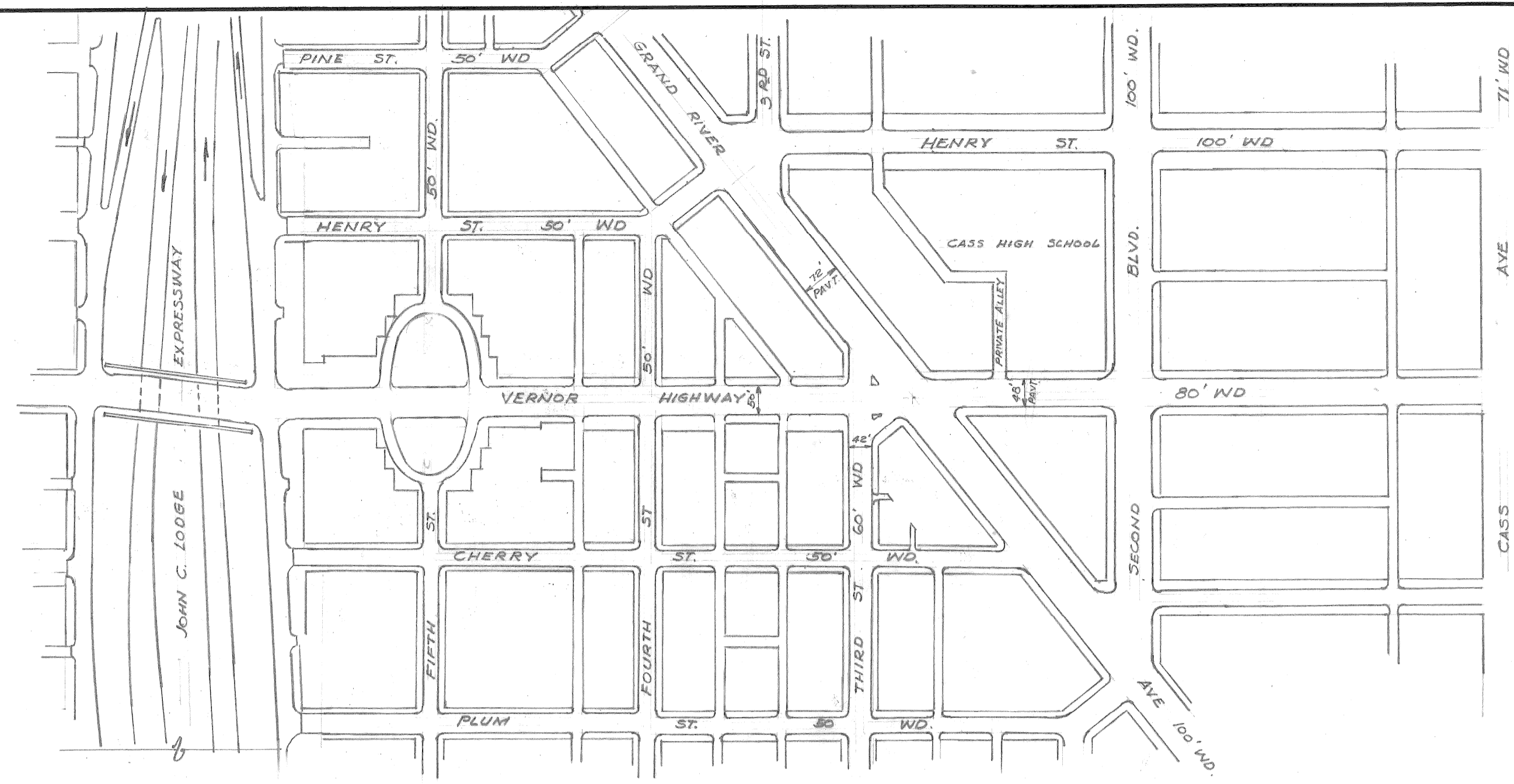
DESIGNED BY	A BERARDUCCI	APPROVED:	
DRAWN BY	J HAMPSHIRE		
TRACED BY			
CHECKED BY		CITY ENGINEER	

CITY OF DETROIT
 DEPARTMENT OF PUBLIC WORKS
 CITY ENGINEERS OFFICE

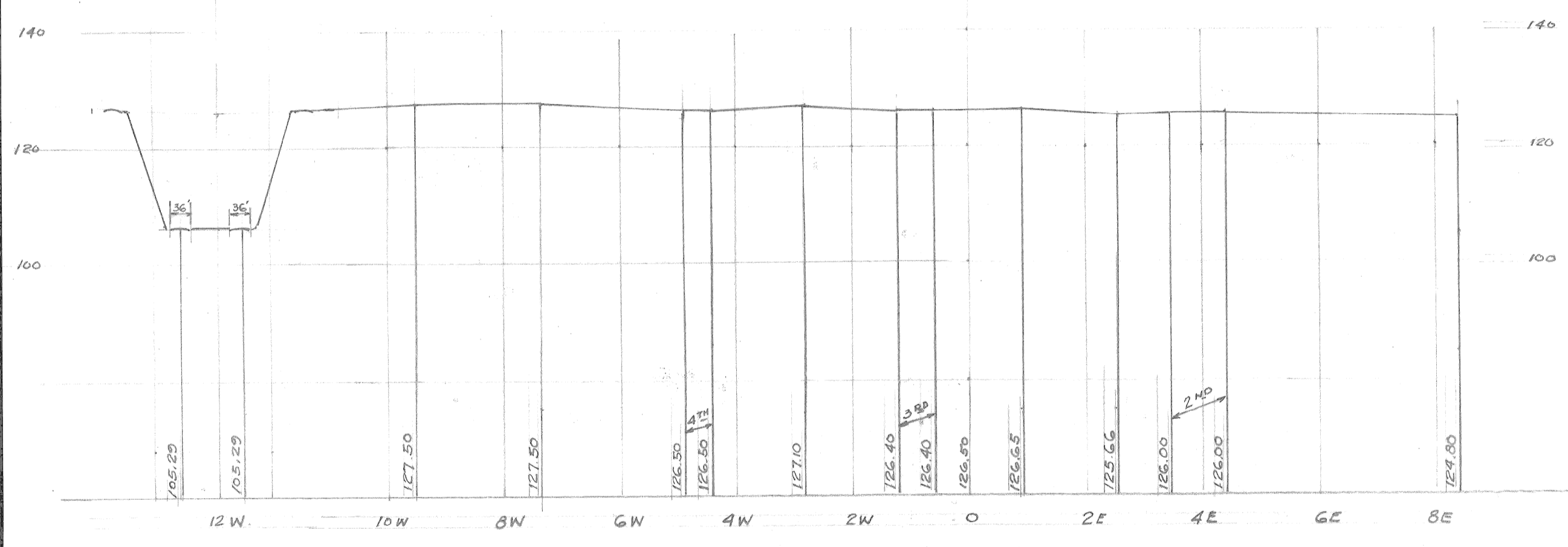
GRADE SEPARATION
 GRAND RIVER & OAKMAN BLVD.

SHEET	OF	SHEETS
JOB NO.		
DRWG No.		
DATE	FEB 13, 1950	

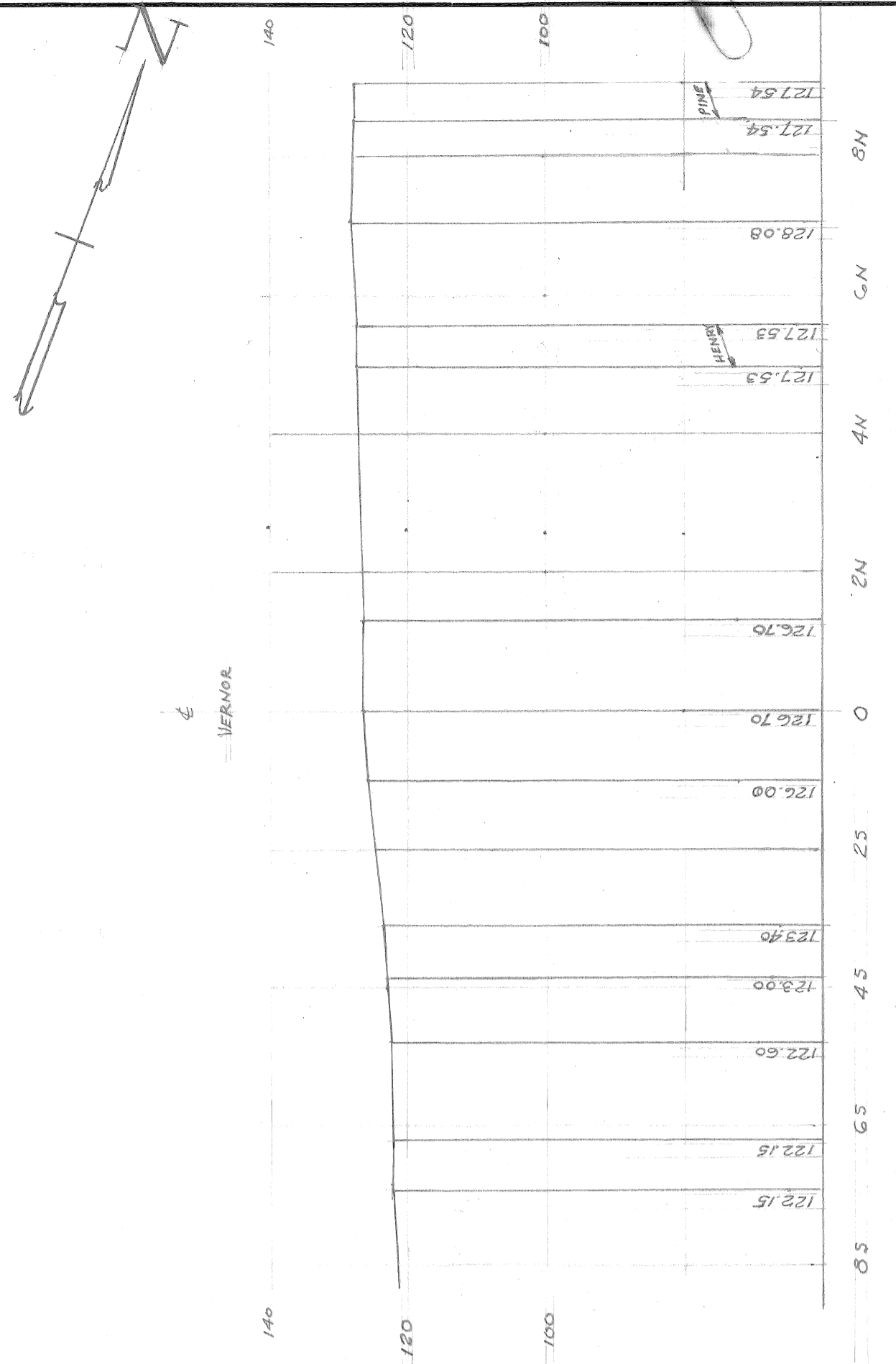
8-9(7)



PLAN
 VERNOR HIGHWAY & GRAND RIVER INTERSECTION
 SCALE 1"=200'



PROFILE
 VERNOR HIGHWAY
 VERTICAL SCALE 1"=20'



PROFILE
 GRAND RIVER AVE.
 VERTICAL SCALE 1"=20'

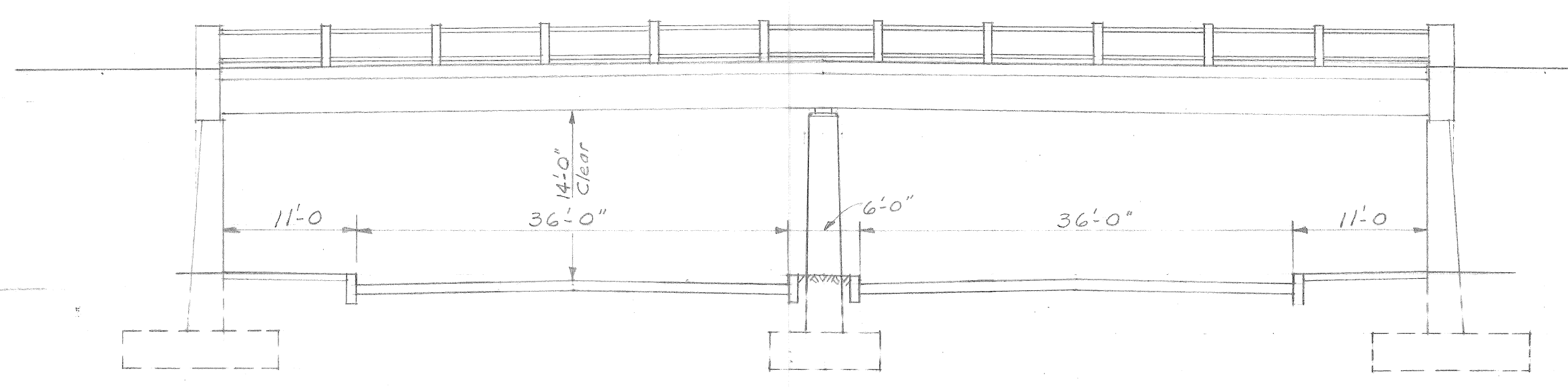
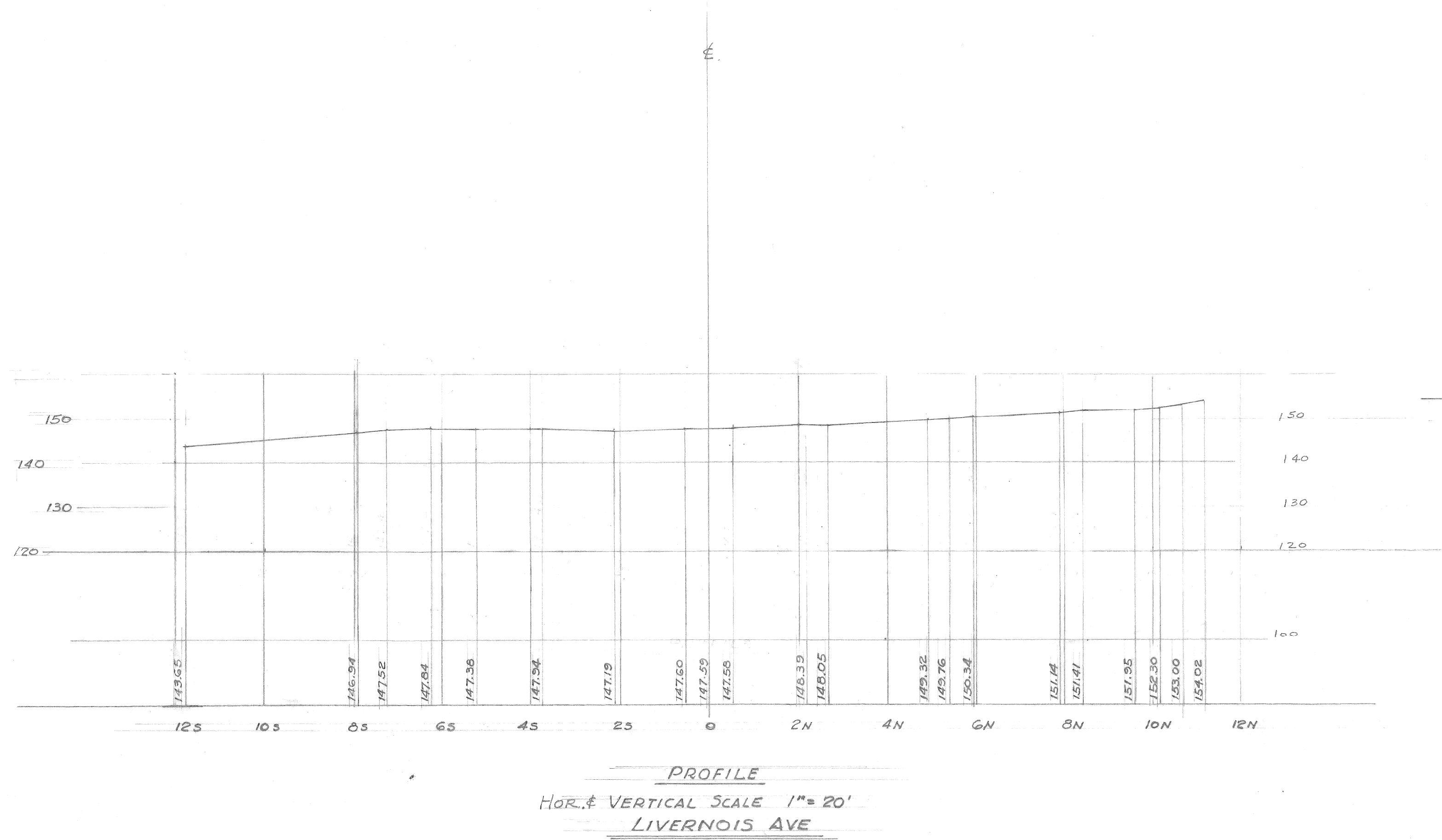
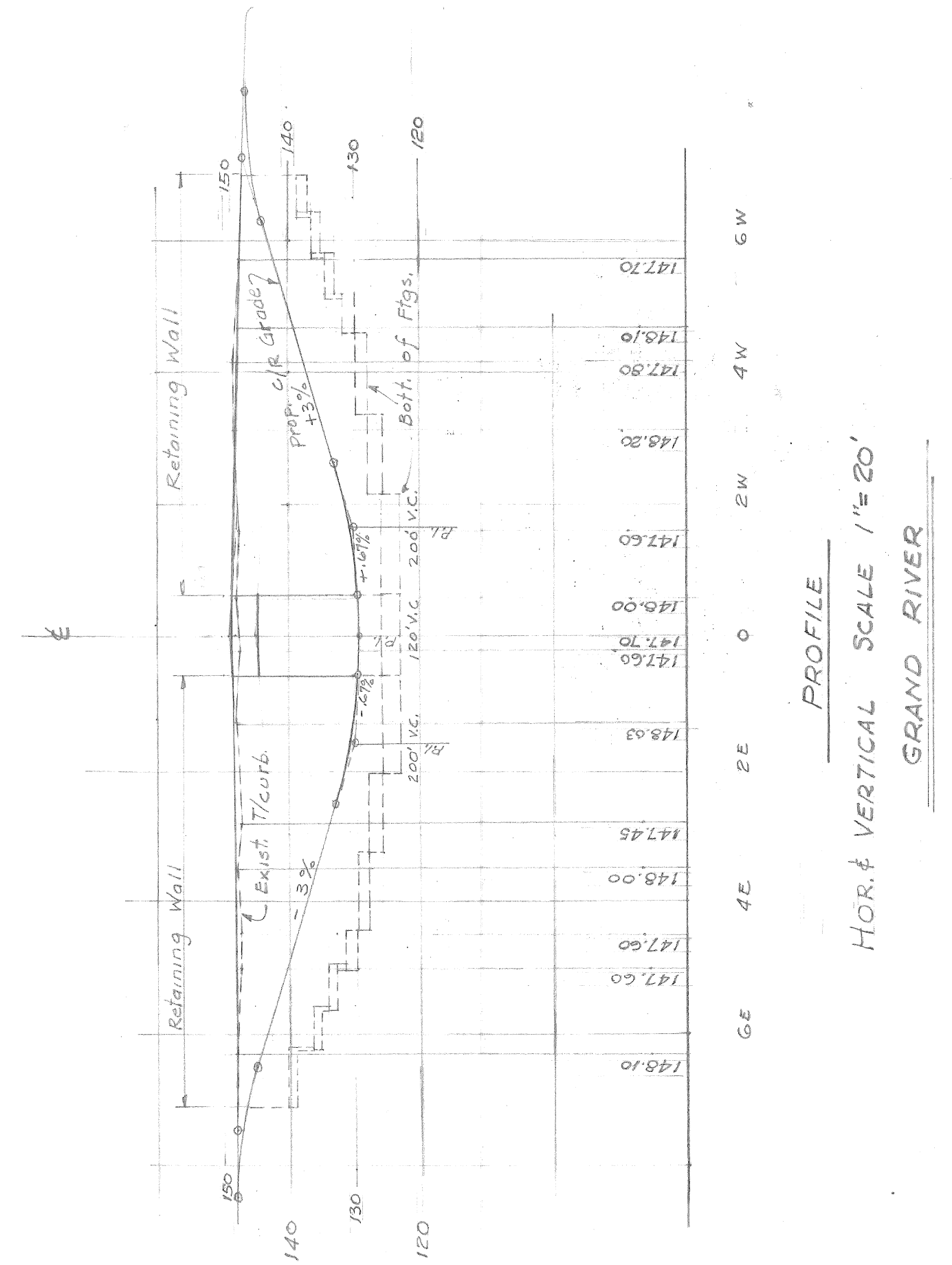
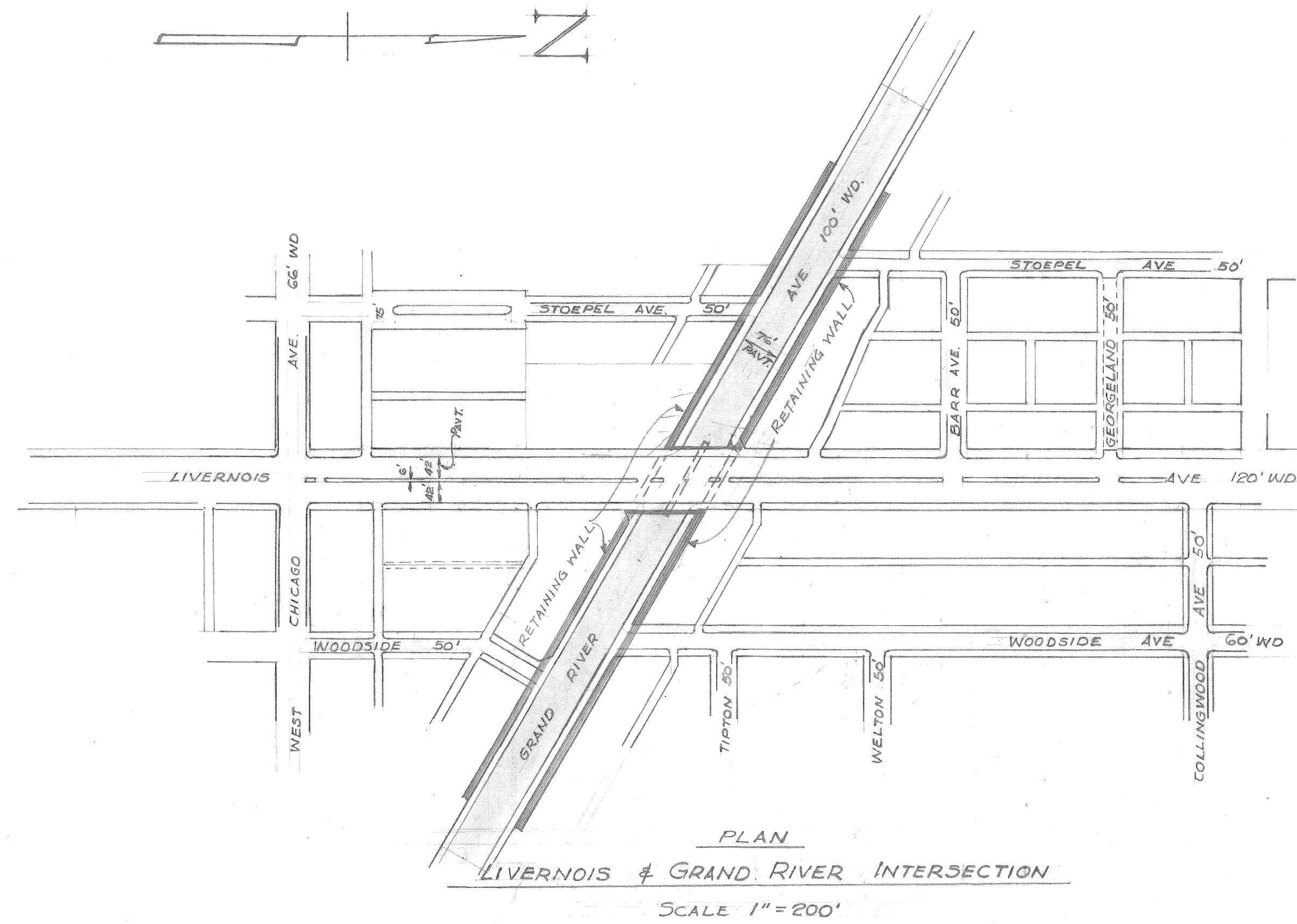
DESIGNED BY	A. BERARUCCI	APPROVED:	
DRAWN BY	J. HAMPSHIRE		
TRACED BY			
CHECKED BY		CITY ENGINEER	
NOTED BY			
DESCRIPTION	DRN	CKD	APVD
REVISIONS			

CITY OF DETROIT
 DEPARTMENT OF PUBLIC WORKS
 CITY ENGINEERS OFFICE

GRADE SEPARATION
 VERNOR HIGHWAY & GRAND RIVER AVE

SHEET	OF	SHEETS
JOB No.		
DRWG No.		
DATE	FEB 15, 1950	

8-10(7)



G									
F									
E									
D									
C									
B									
A									
NOTED BY	DESCRIPTION	DRN	CHK'D	APVD	DATE	REVISIONS			

DESIGNED BY	A. BERARDUCCI	APPROVED:	
DRAWN BY	J. HAMPSHIRE		
TRACED BY			
CHECKED BY		CITY ENGINEER	

CITY OF DETROIT
 DEPARTMENT OF PUBLIC WORKS
 CITY ENGINEERS OFFICE

GRADE SEPARATION
 LIVERNOIS AVE. & GRAND RIVER.

SHEET	___	OF	___	SHEETS
JOB NO.				
DRWG NO.				
DATE	FEB. 7, 1950			

8-11 (7)