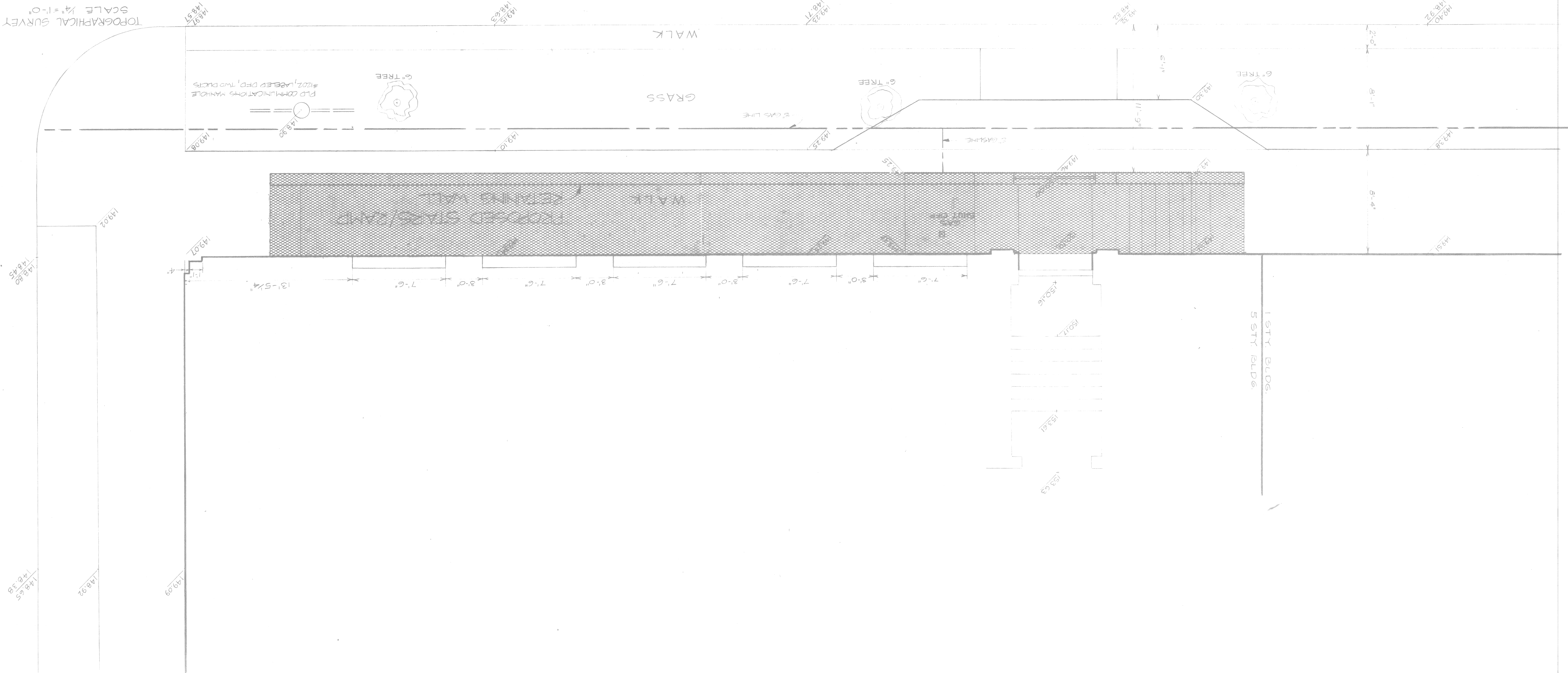




GRANDY AVE.
CBM & HYD. NE CORNER
GRANDY & THEODORE
51.90



NO.	DATE	DESCRIPTION

designed by: *[Signature]*
drawn by: M/DJP
checked by:
approved by: *[Signature]*

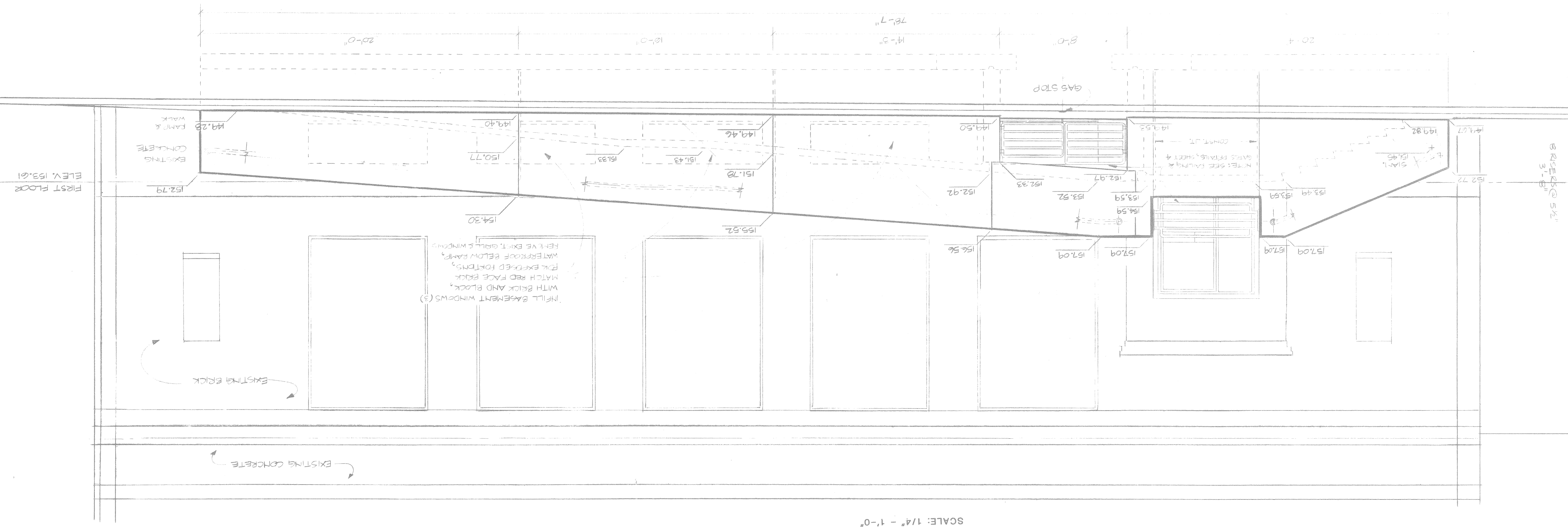
CITY OF DETROIT
City Engineering Department
for Neighborhood Services Department

HANDICAPPED ENTRANCE
NEIGHBORHOOD SERVICES DEPARTMENT
5031 GRANDY, DETROIT, MICHIGAN
PLOT PLAN
EXISTING SITE PLAN

a.o. 88-42-01
contract no. DBA-52
sheet 1 of 5
drawing no. AS-1
date 10-13-88

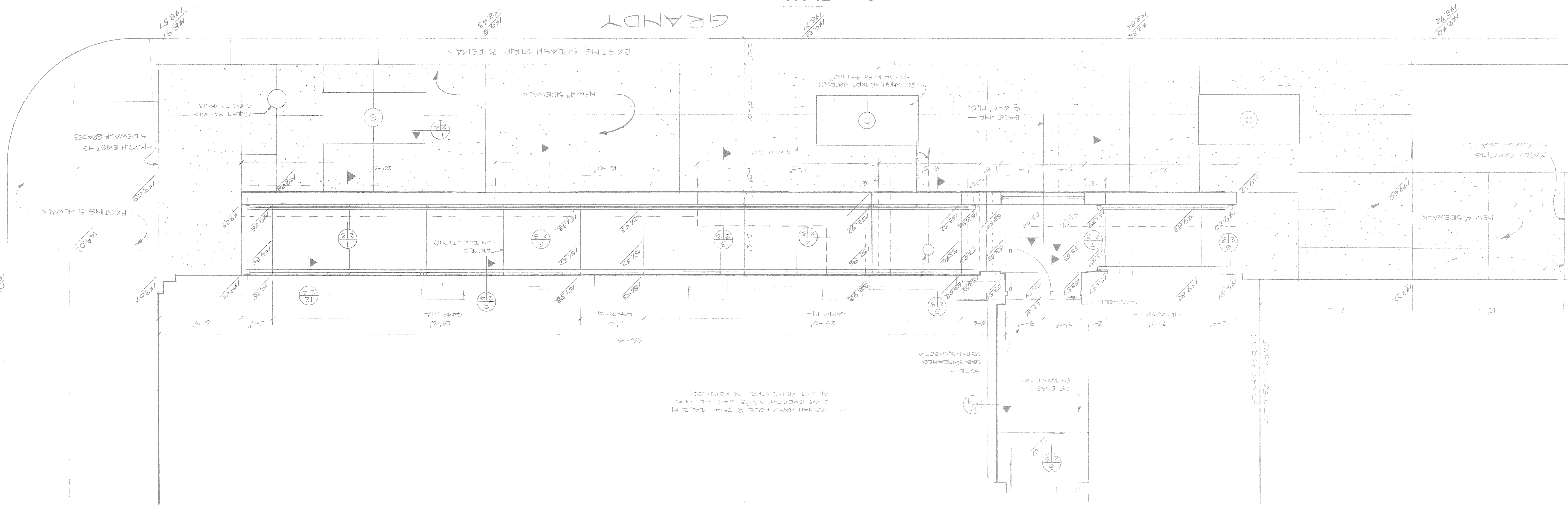
ELEVATION

SCALE: 1/4" = 1'-0"



PLAN

SCALE: 1/4" = 1'-0"



THEODORE

date 10-13-88
 AS-2
 drawing no.
 of 5
 sheet 2
 DBA-52
 contract no.
 a.o. 88-42-01

HANDICAPPED ENTRANCE
NEIGHBORHOOD SERVICES DEPARTMENT
 5031 GRANDY, DETROIT, MICHIGAN
PLAN & ELEVATION

CITY OF DETROIT
 city engineering department
 for neighborhood services department

designed by *[Signature]*
 drawn by *[Signature]*
 checked by *[Signature]*
 approved by *[Signature]*

no.	date	by	description
1			
2			
3			
4			
5			

date 10-13-88
AS-3
drawing no.
of 5
sheet 3
DBA-52
contract no.
a.o. 88-42-01

HANDICAPPED ENTRANCE
NEIGHBORHOOD SERVICES DEPARTMENT
5031 GRANDY, DETROIT, MICHIGAN
STRUCTURAL DETAILS

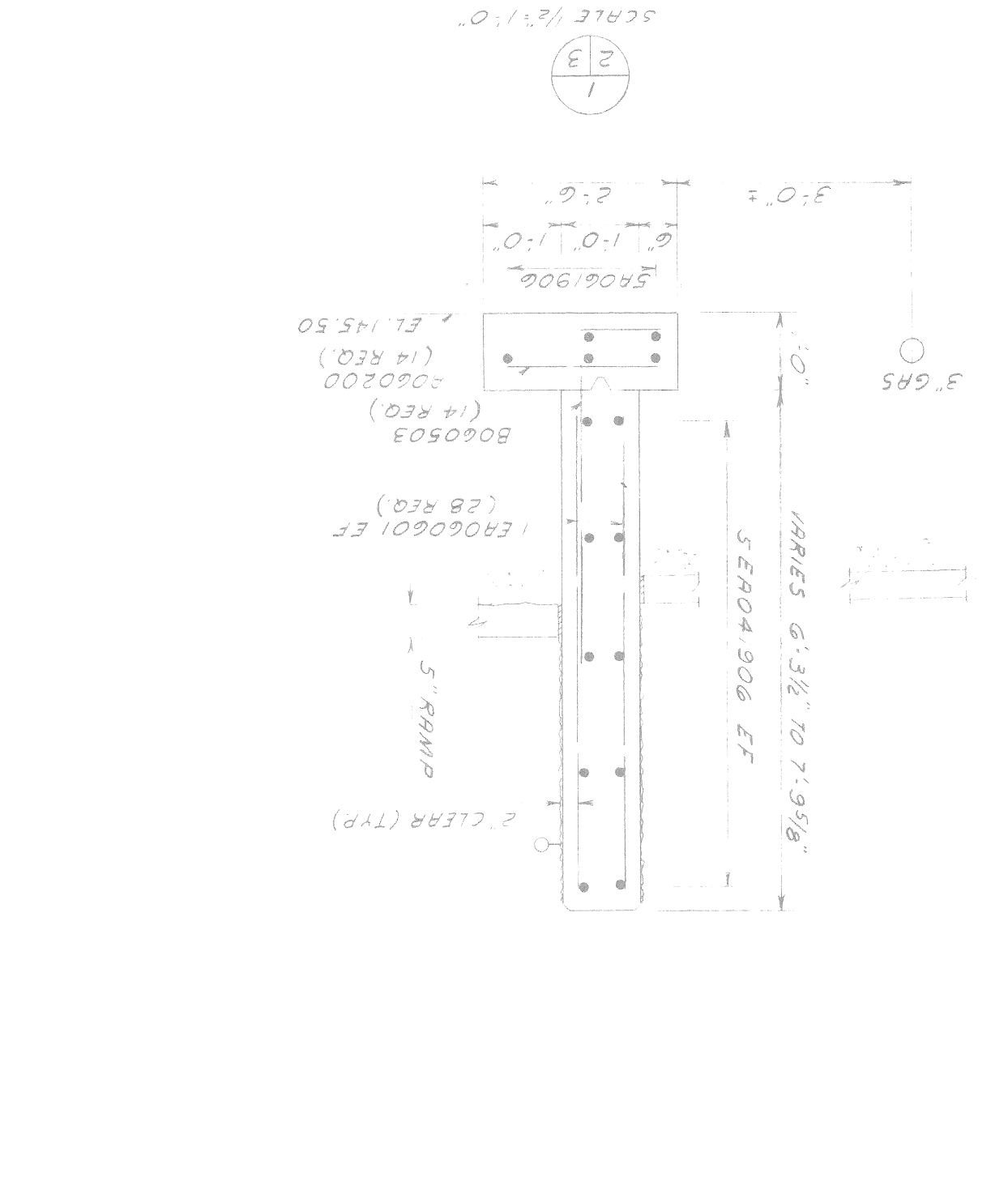
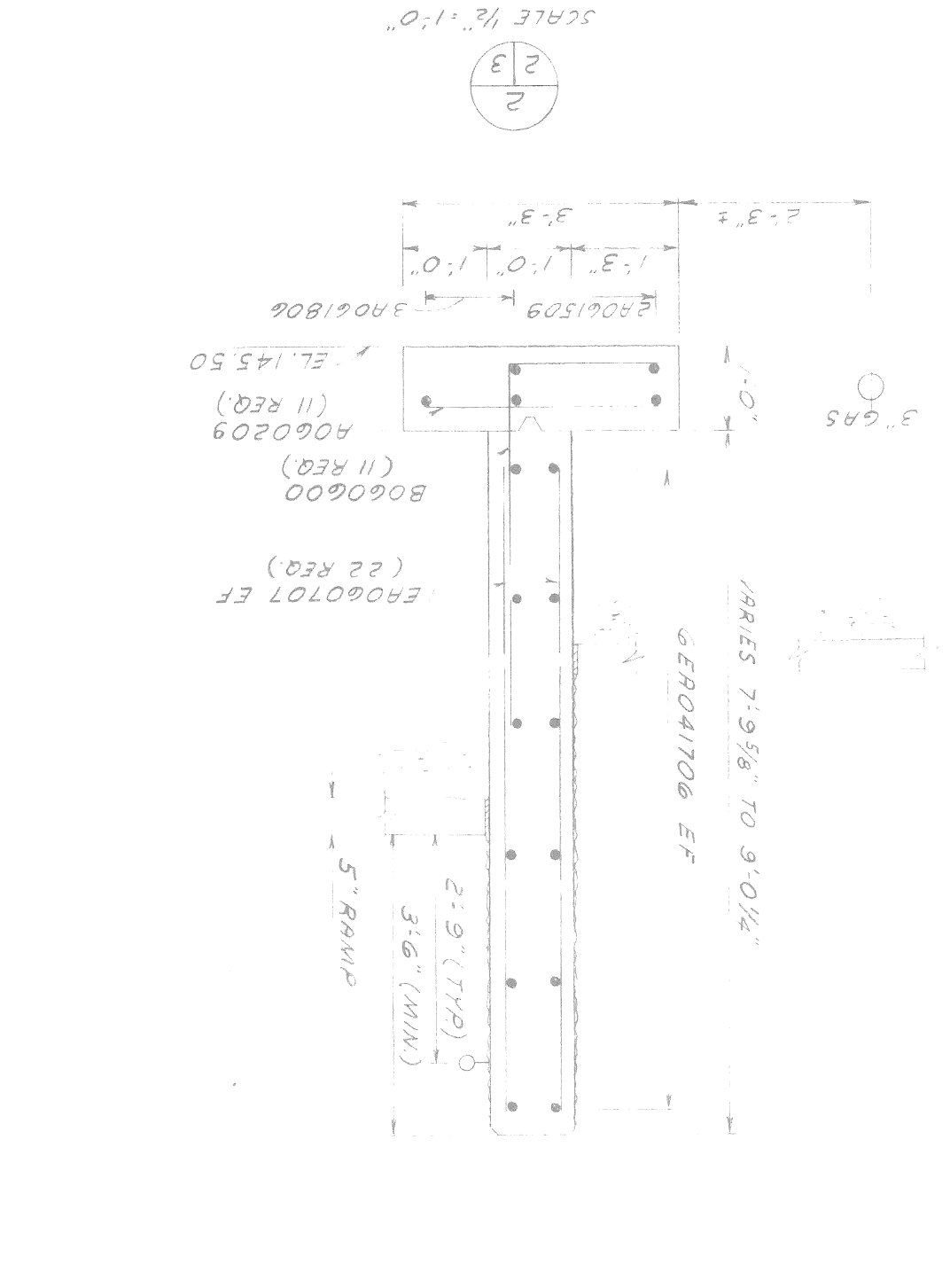
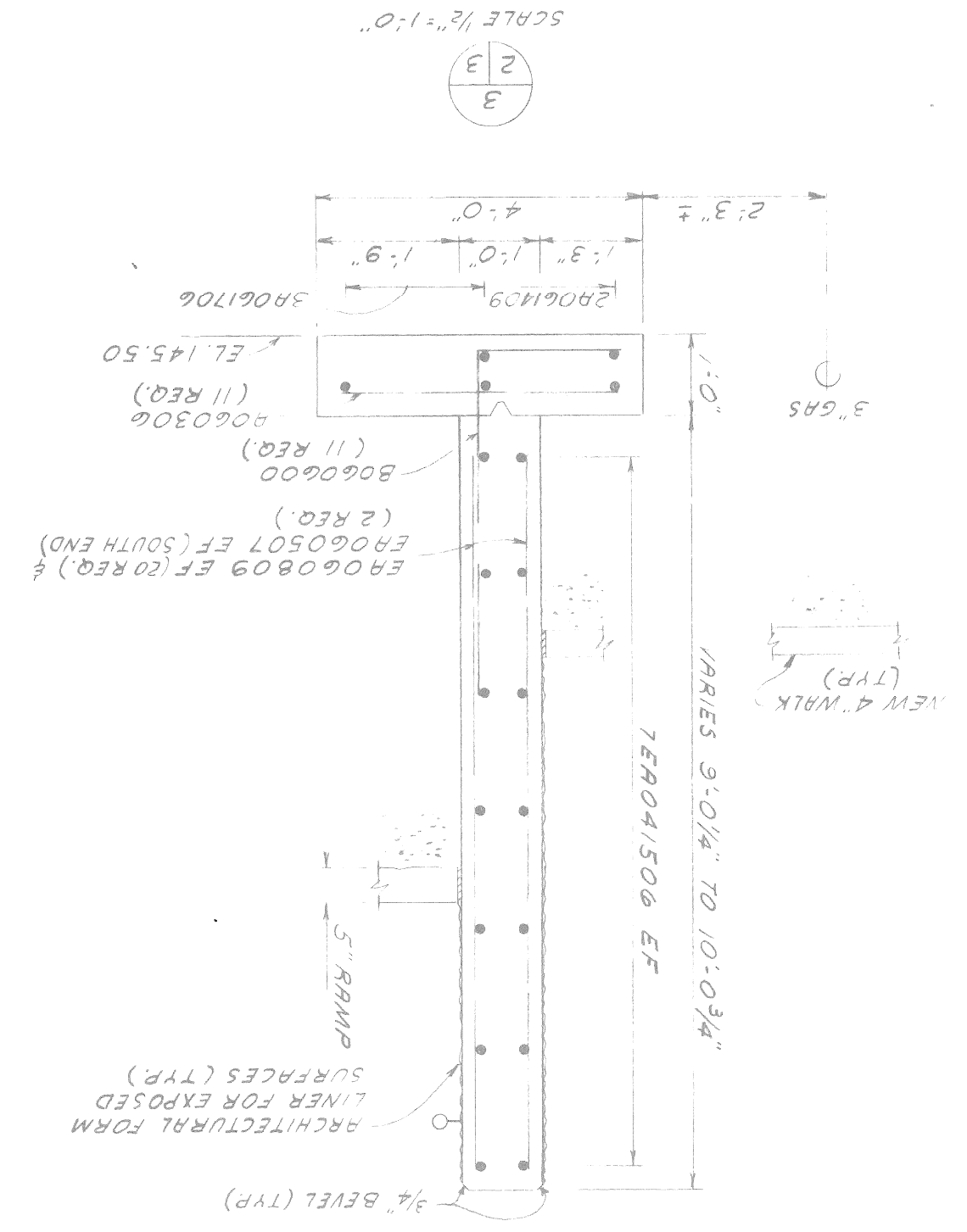
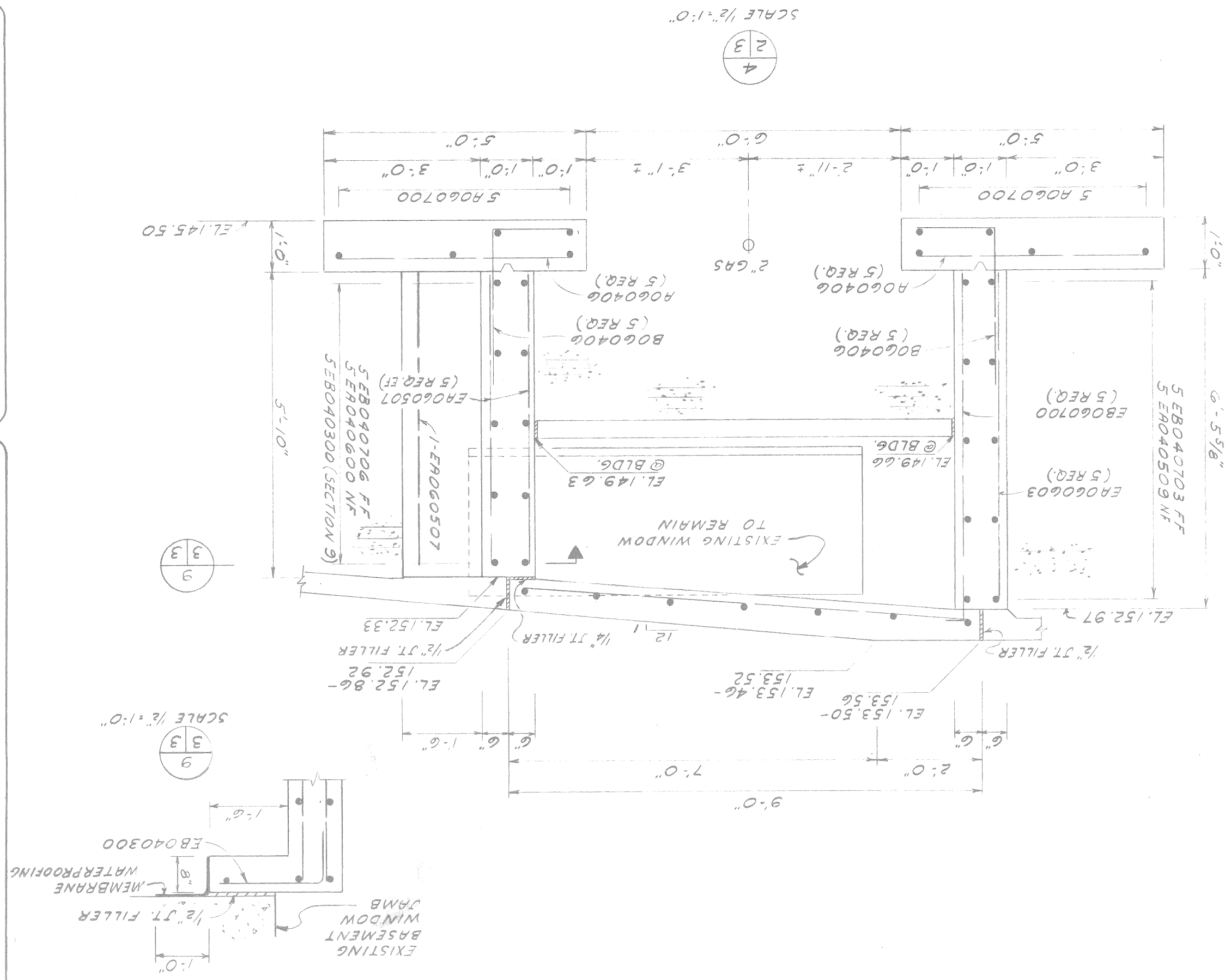
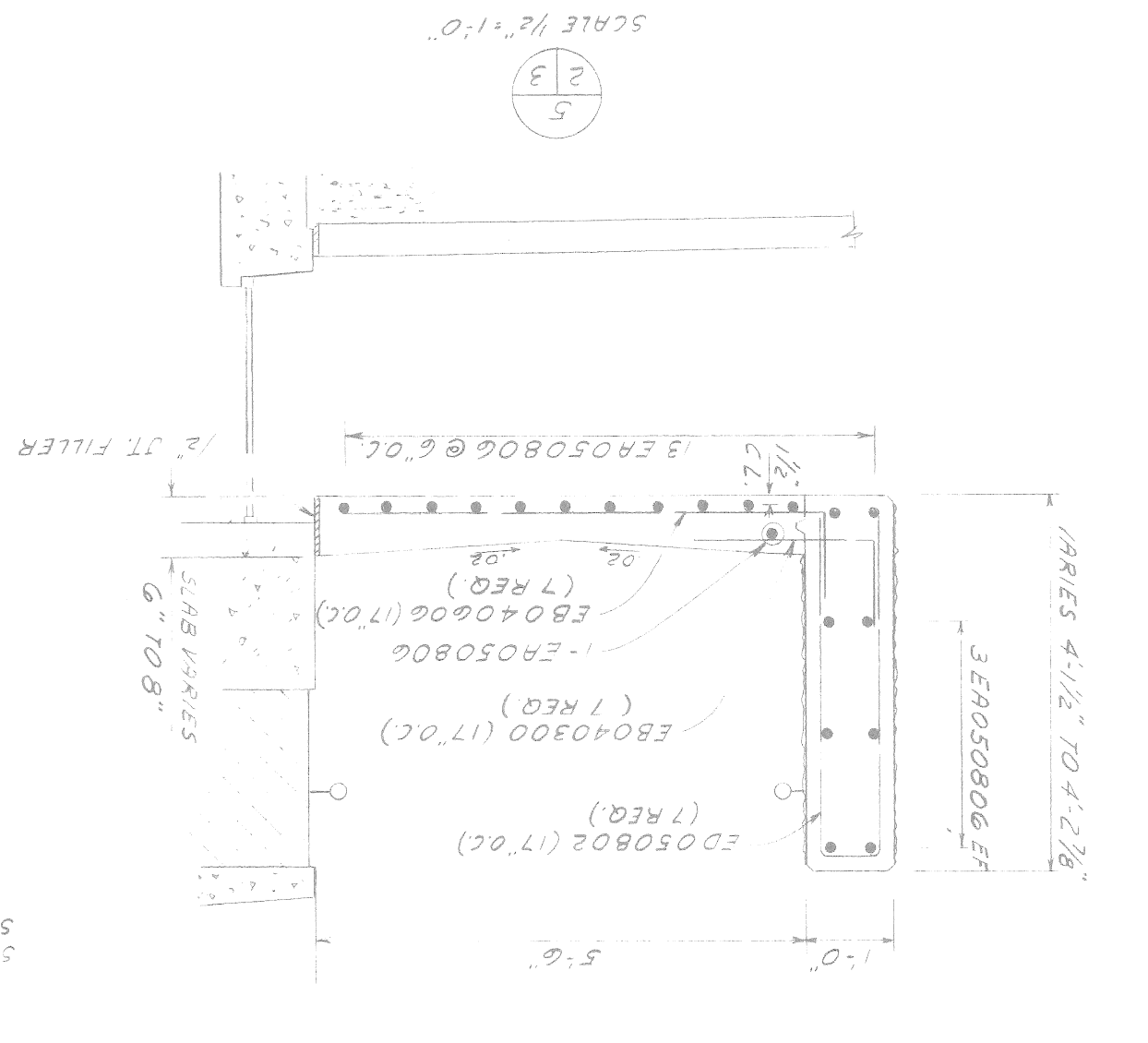
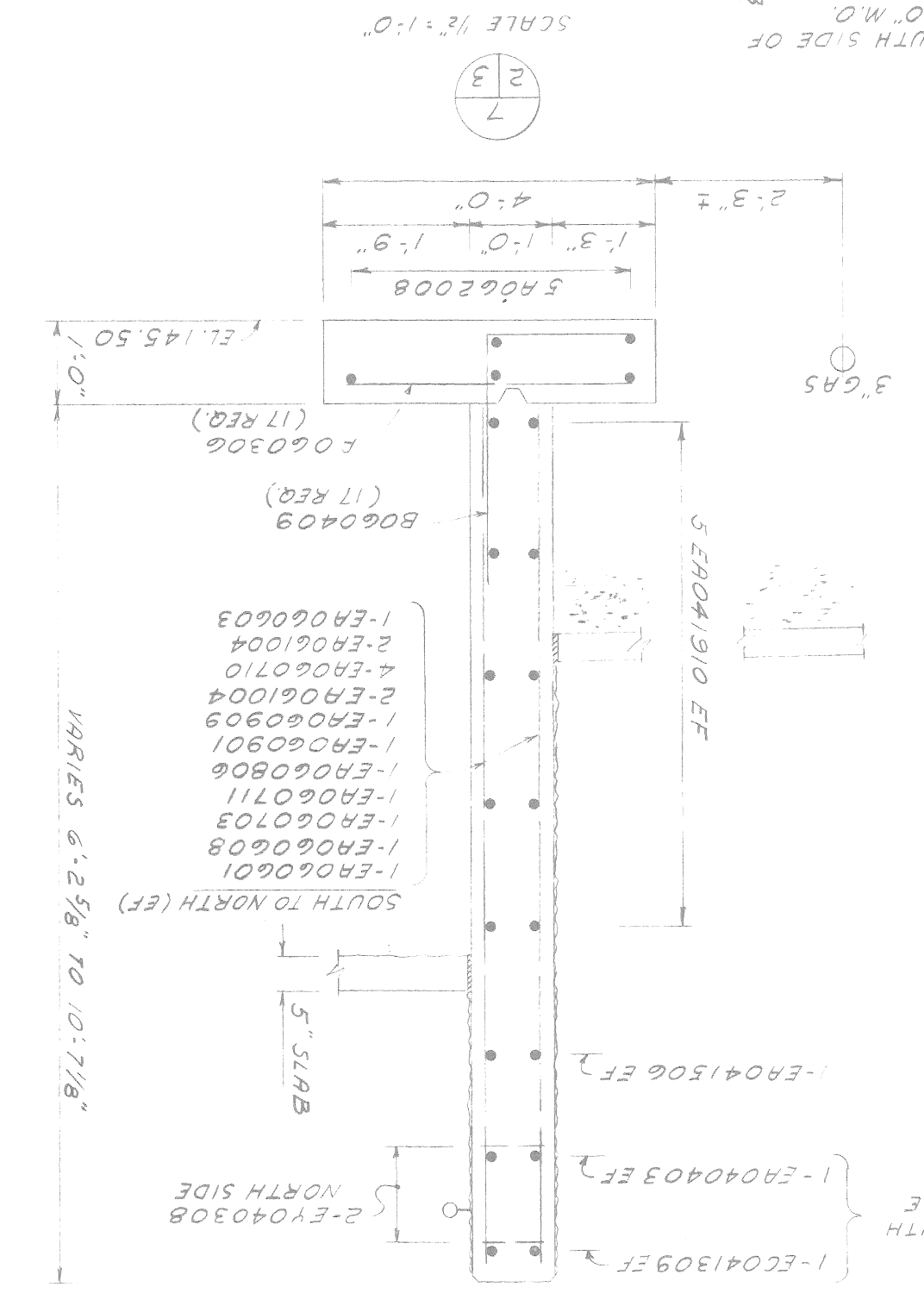
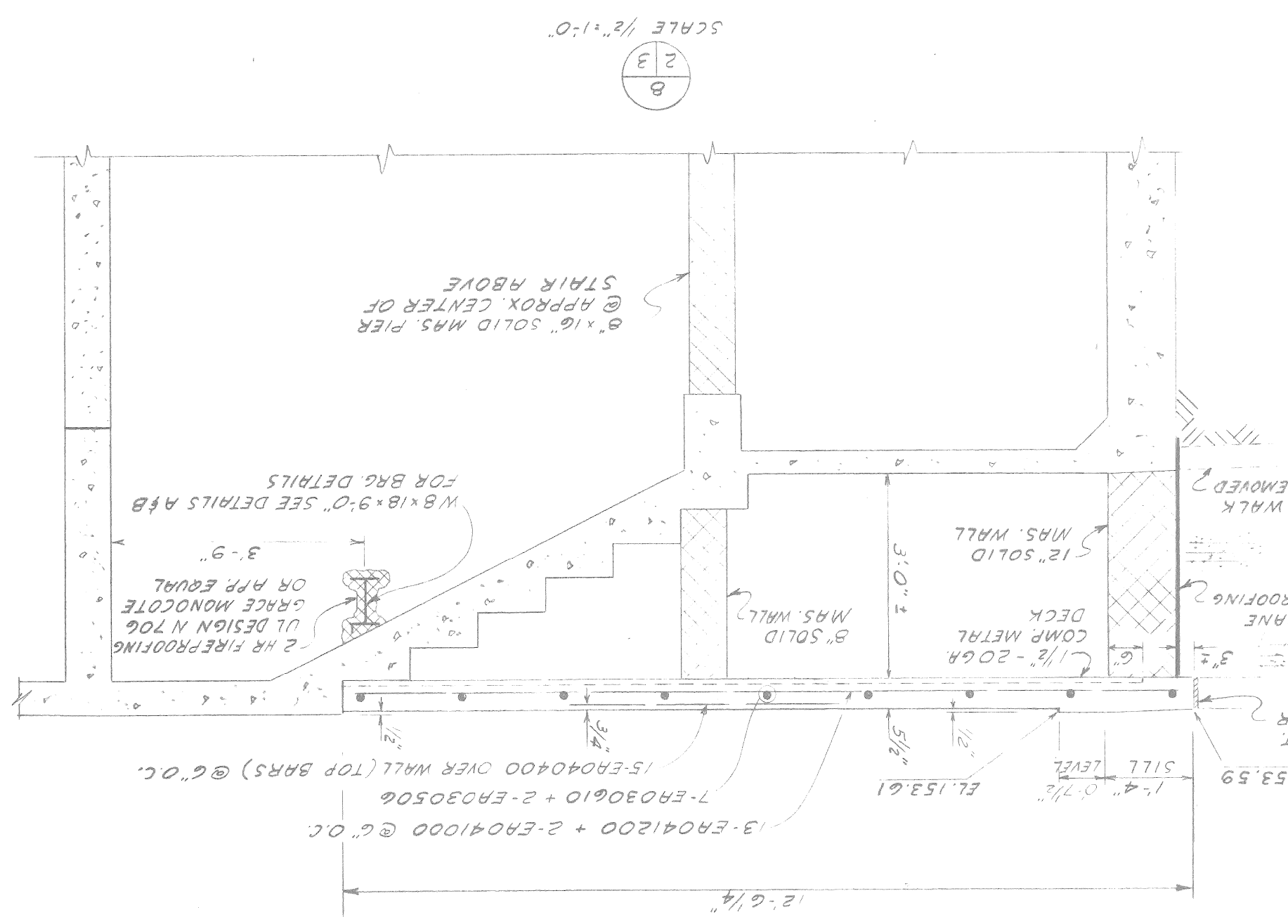
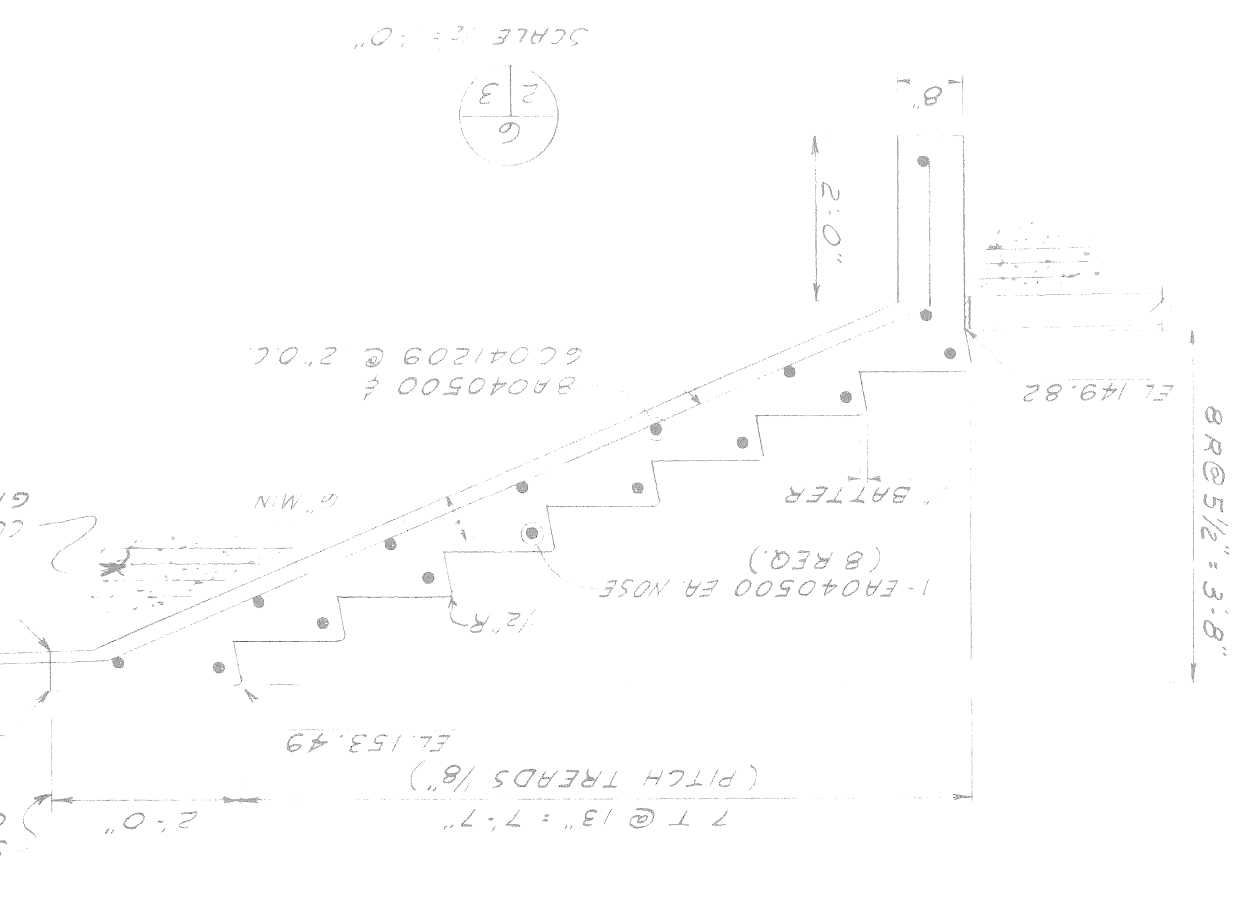
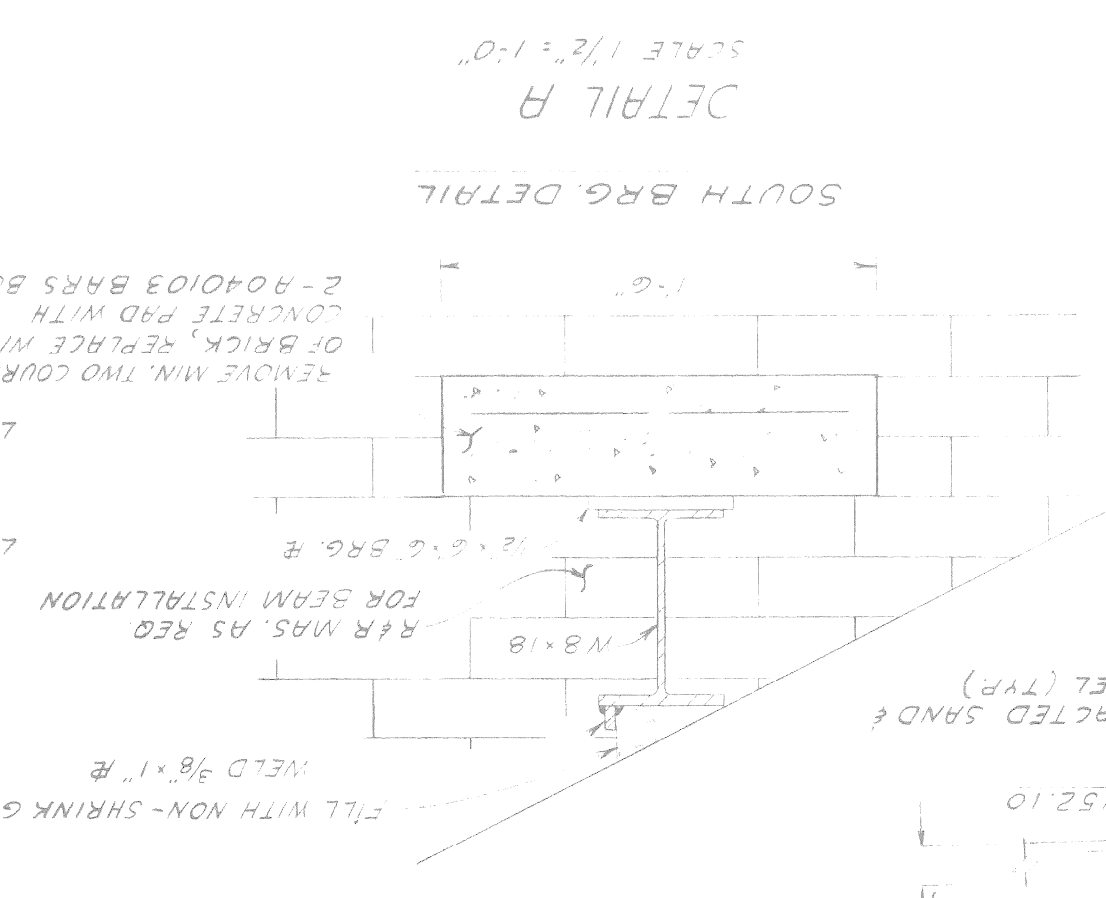
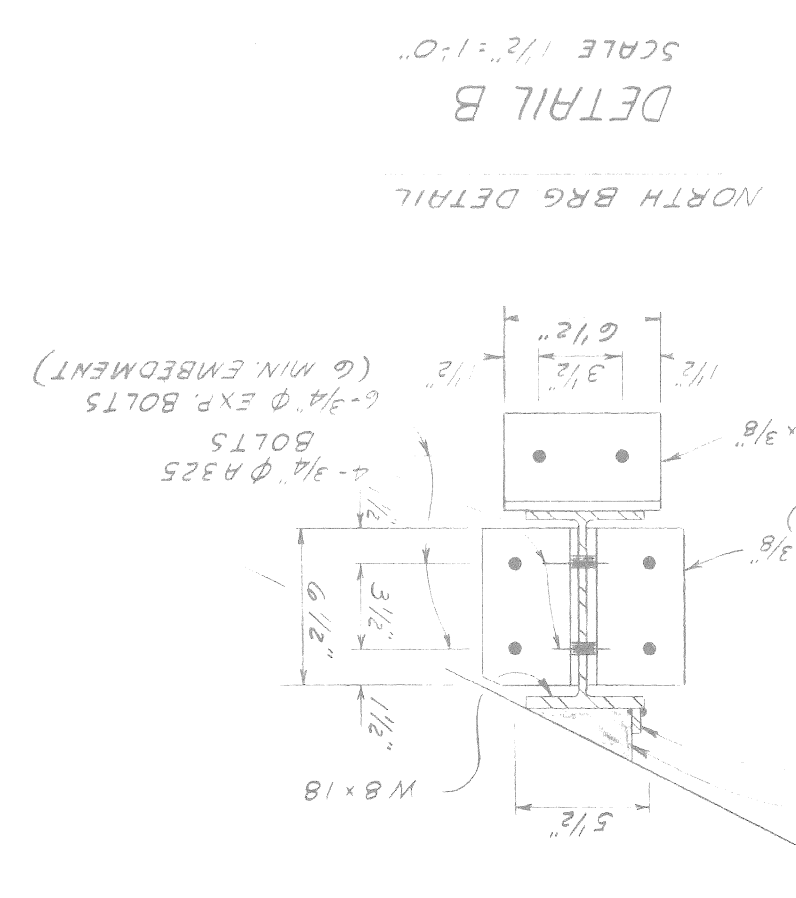
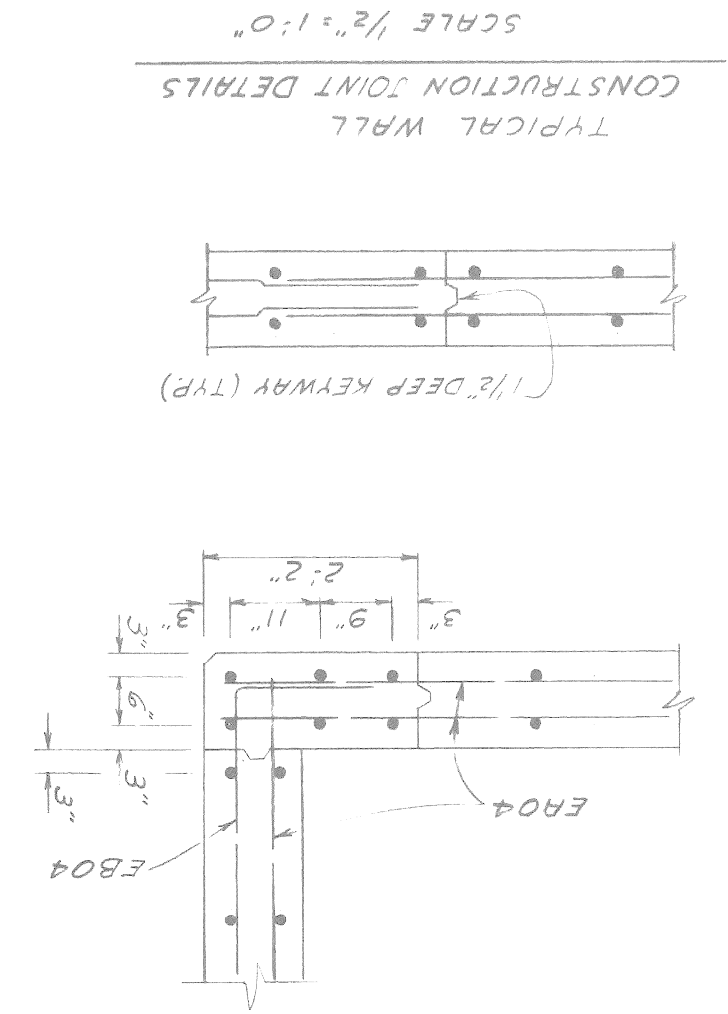
CITY OF DETROIT
city engineering department
for neighborhood services department

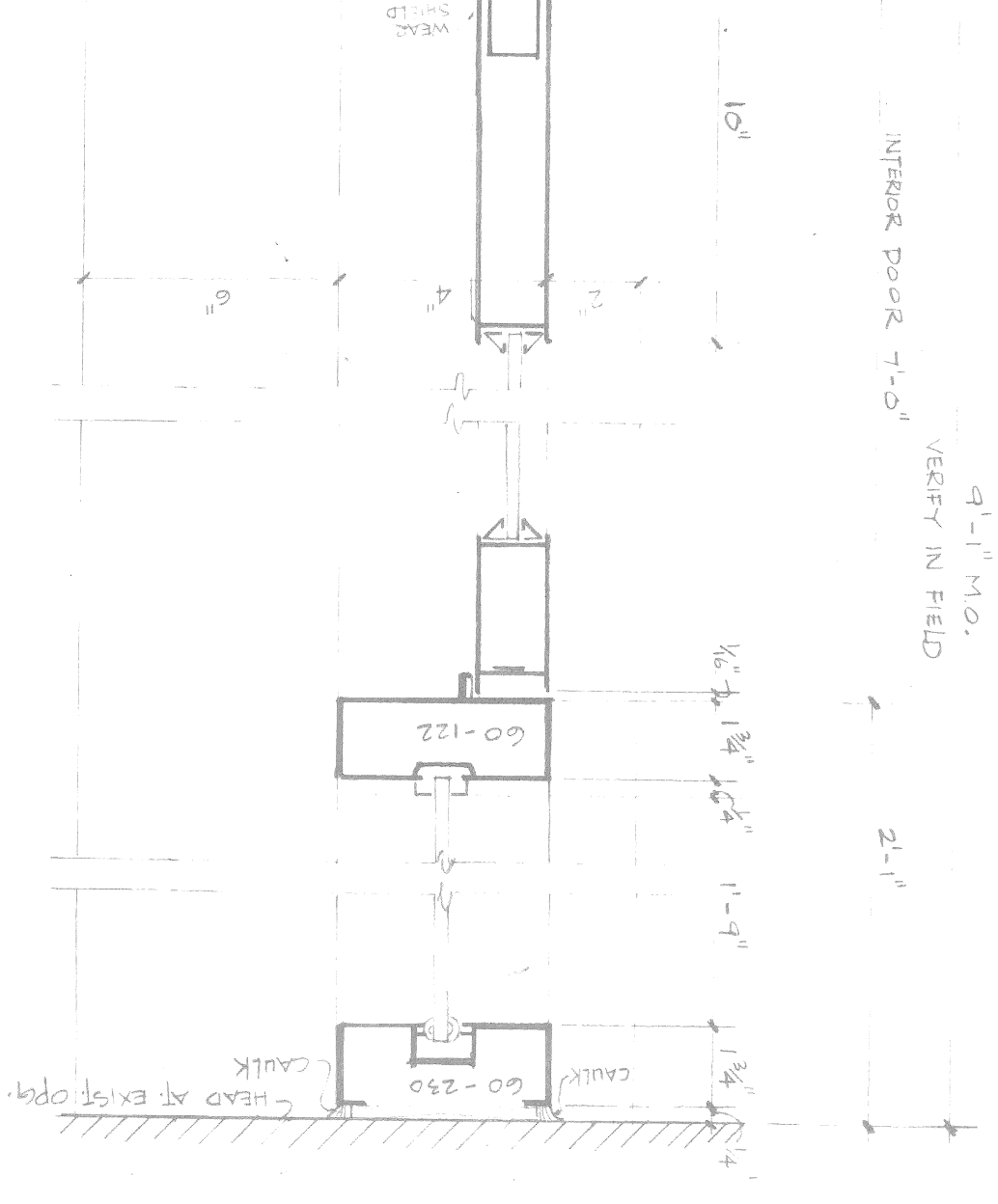
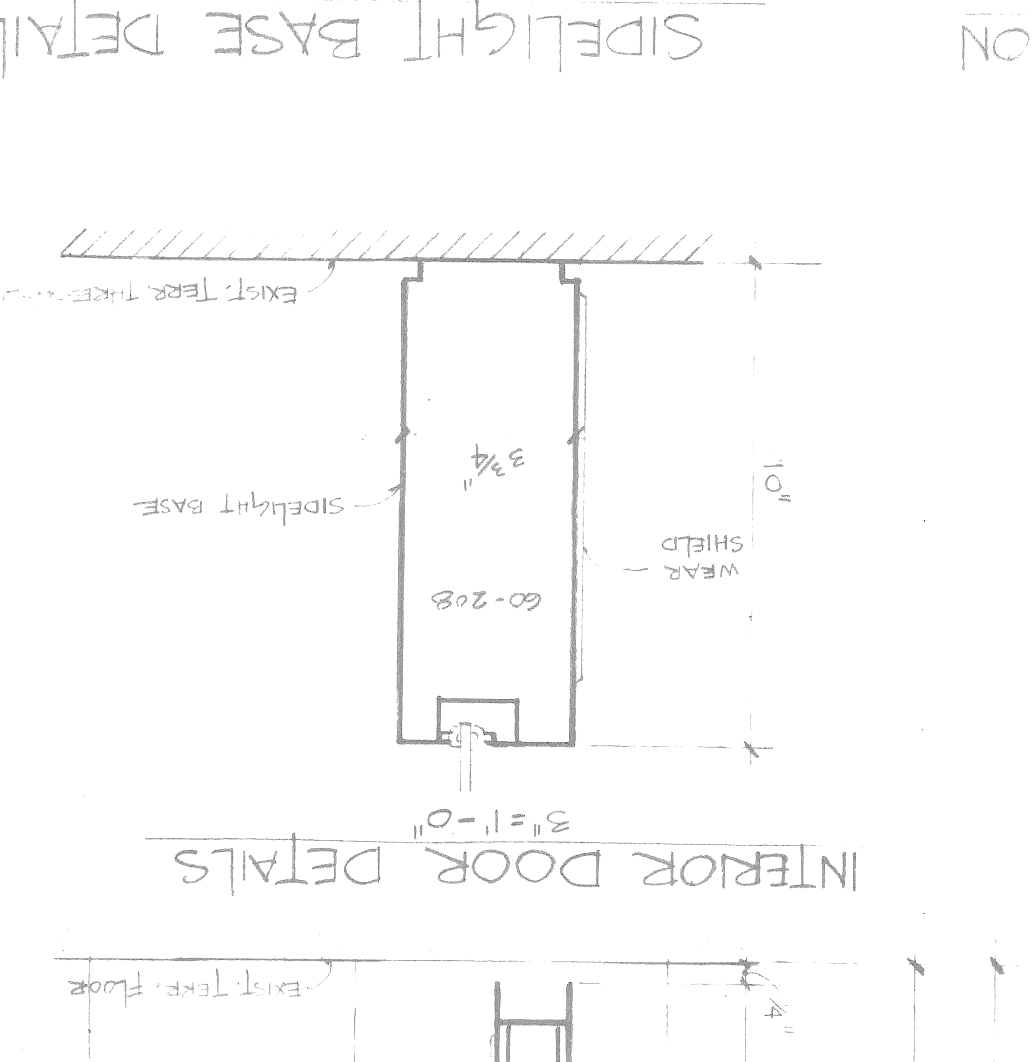
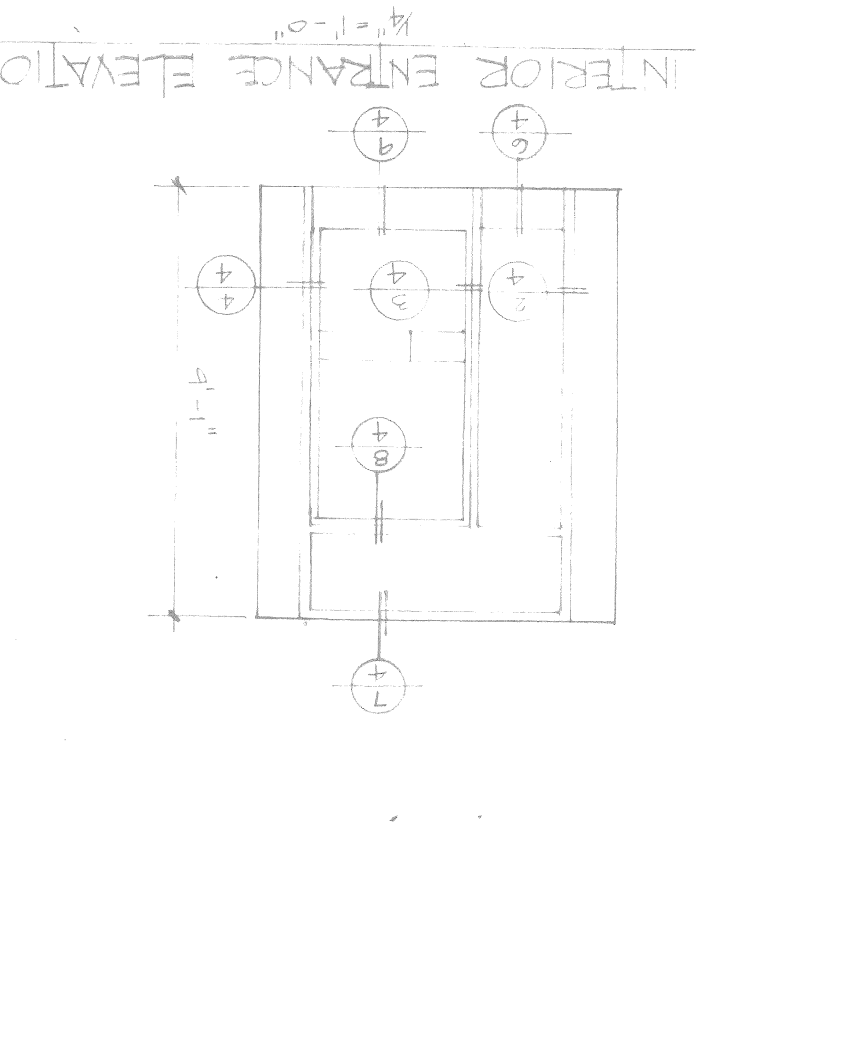
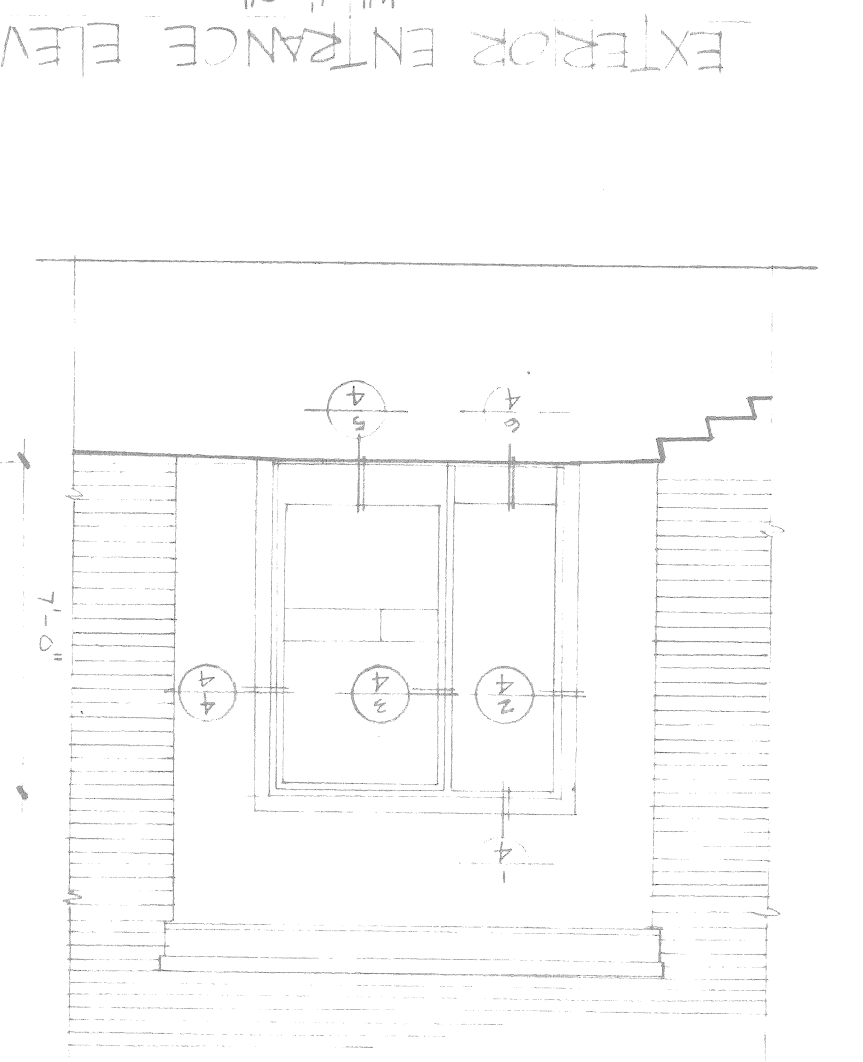
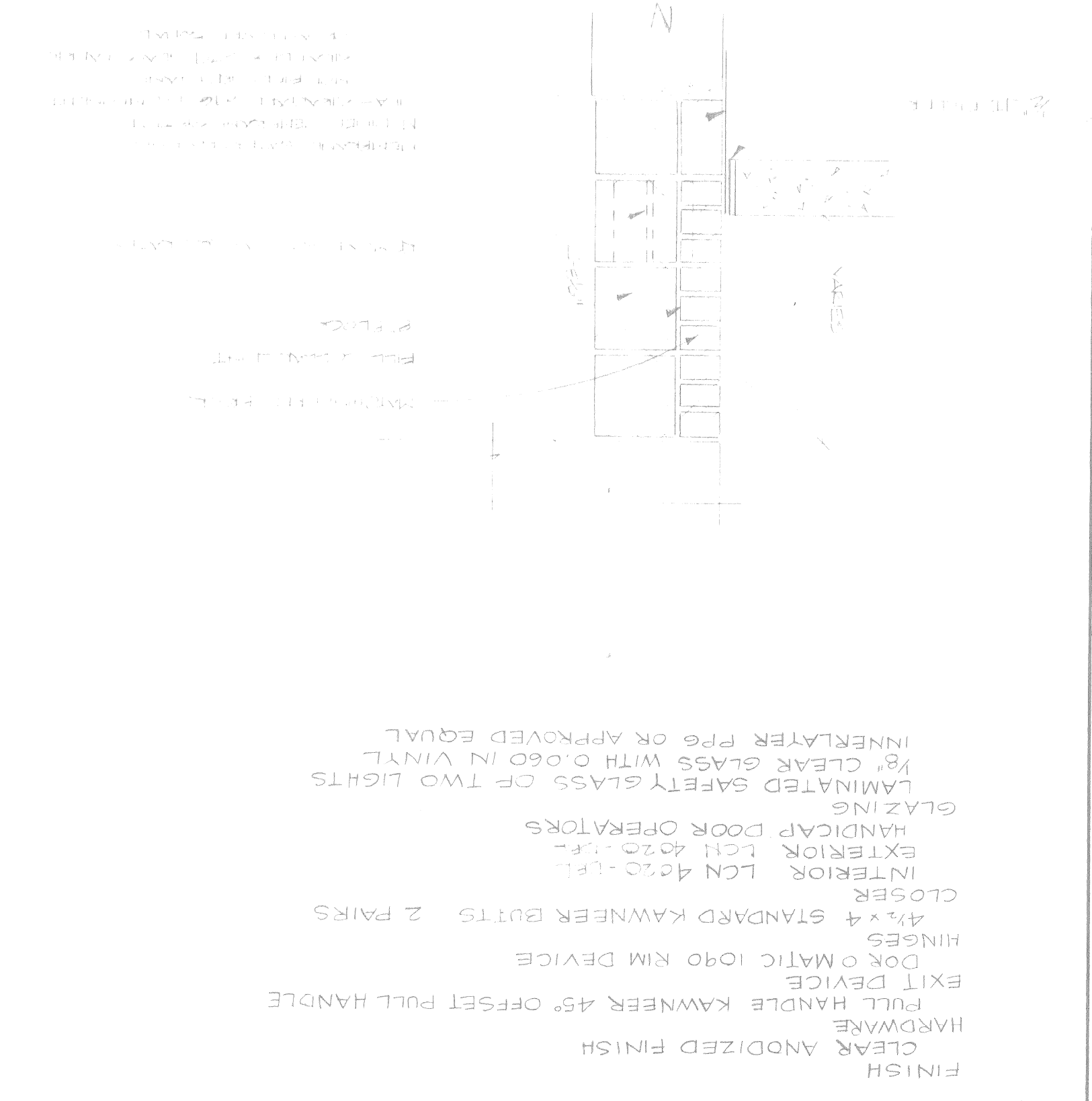
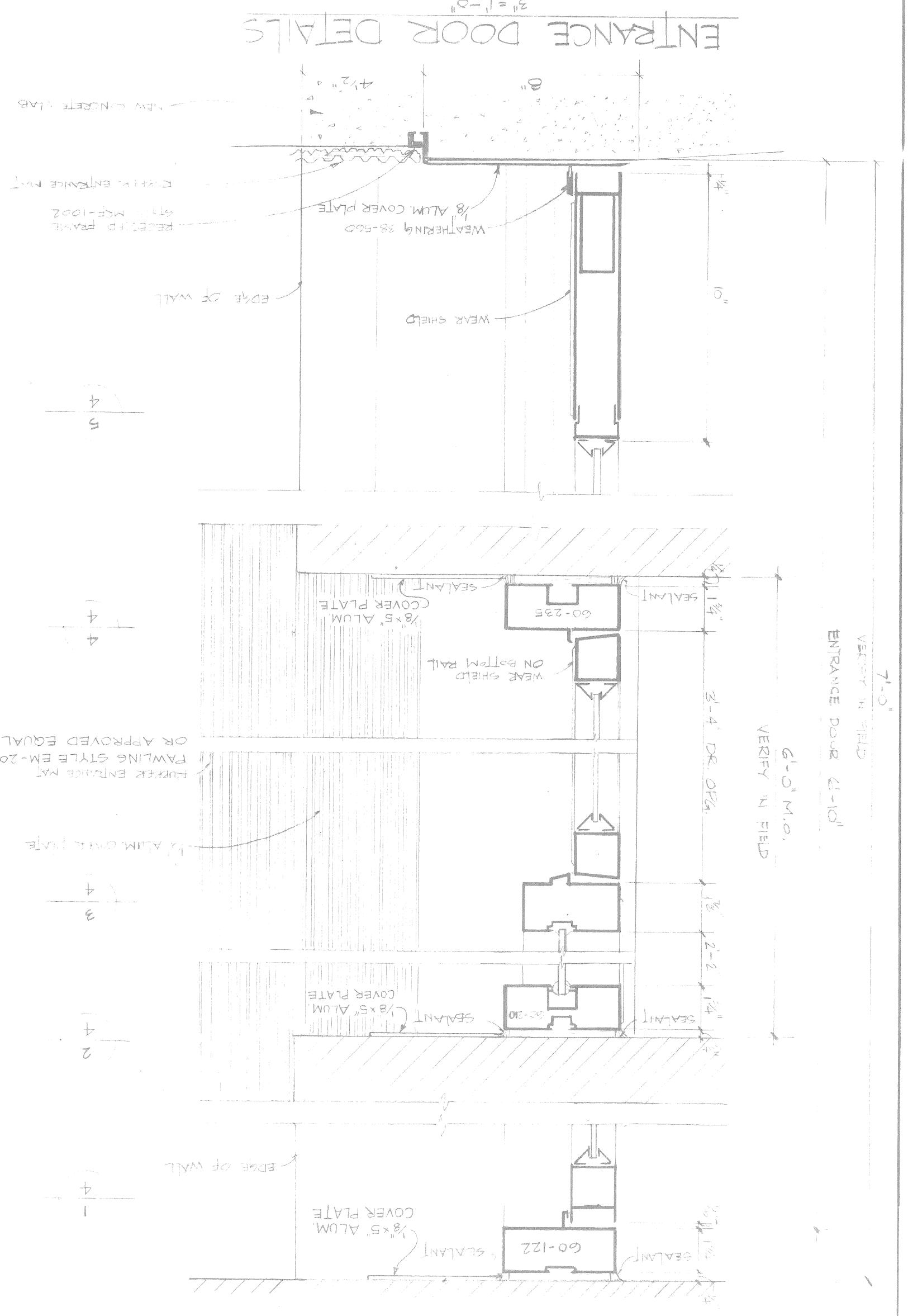
DESIGNED BY: [Signature]
DRAWN BY: [Signature]
CHECKED BY: [Signature]
APPROVED BY: [Signature]
STRUCTURAL ENGINEER

Revisions table with columns for date, description, and initials.

GENERAL NOTES

1. EPOXY COATING FOR REINFORCING STEEL SHALL BE IN ACCORDANCE WITH MDOT SPECIFICATIONS FOR CONSTRUCTION B.O.S.03 C&D. TOES OF THE FOOTINGS SHALL BE POURED NEAT.
2. ALL FIELD CONNECTIONS SHALL BE WITH 3/4" H.S. BOLTS.
3. STRUCTURAL STEEL SHALL BE ASTM A-36.
4. ALL WALK CONNECTIONS SHALL BE WITH 3/4" H.S. BOLTS.
5. THE METAL COMPOSITE FLOOR DECK SHALL BE 1/2" x 20 GA. HOT DIPPED GALVANIZED, FABRICATED FROM ASTM A-446 GRADE A STEEL HAVING A MINIMUM YIELD STRENGTH OF 33,000 PSI.
6. ALL WALK CONCRETE SHALL BE GRADE R; 3000 PSI. (F2)
7. CONCRETE FOR FOOTINGS AND WALLS SHALL BE MDOT GRADE 355.
8. CONCRETE FOR STRUCTURAL SLAB AND PARAPET SHALL BE MDOT GRADE 45 D.
9. ALL EXPANSION BOLTS SHALL BE 3/4" Ø RED HEAD ANCHORS WITH 6" MINIMUM EMBEDMENT, EITHER SELF-DRILLING, WEDGE, SLEEVE OR APPROVED EQUAL.
10. THE MAXIMUM SPACING FOR ALL REINFORCING STEEL IS 18" UNLESS OTHERWISE INDICATED.
11. ARCHITECTURAL FORM LINER SHALL BE SYMONS 1/4" DEEP RIB (FRS) P/L 30472.





REMOVE EXISTING ALUM./GLASS DOORS AND FRAMES AT ENTRANCE AND VESTIBULE. REMOVE WOOD FRAMING AT ENTRANCE. FURNISH AND INSTALL DOORS AND FRAMES AS MANUFACTURED BY KAWNEER OR APPROVED EQUAL.

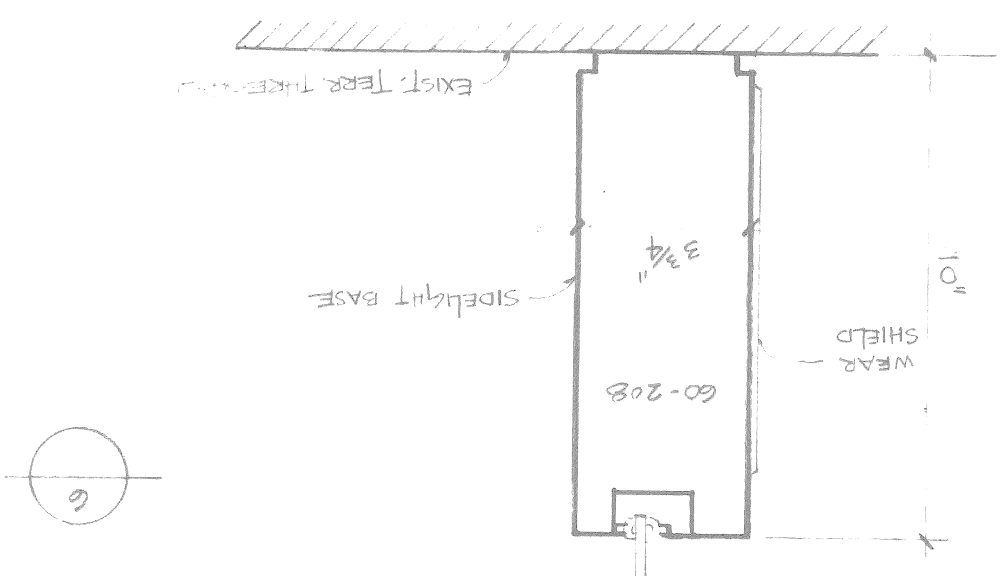
FINISH ANODIZED FINISH
HARDWARE
PULL HANDLE KAWNEER 45° OFFSET PULL HANDLE
EXIT DEVICE
DOK O MATIC 1090 RIM DEVICE
HINGES 4 STANDARD KAWNEER BUTTS - 2 PAIRS
CLOSER
INTERIOR LCN 4500-LFL
EXTERIOR LCN 4020-LFL
HANDICAP DOOR OPERATORS
EXTERIOR ECH 4020-LFL
LAMINATED SAFETY GLASS OF TWO LIGHTS
1/8" CLEAR GLASS WITH 0.060 IN VINYL INNERLAYER PPE OR APPROVED EQUAL

SECTION 10 SCALE 1/4" = 1'-0"

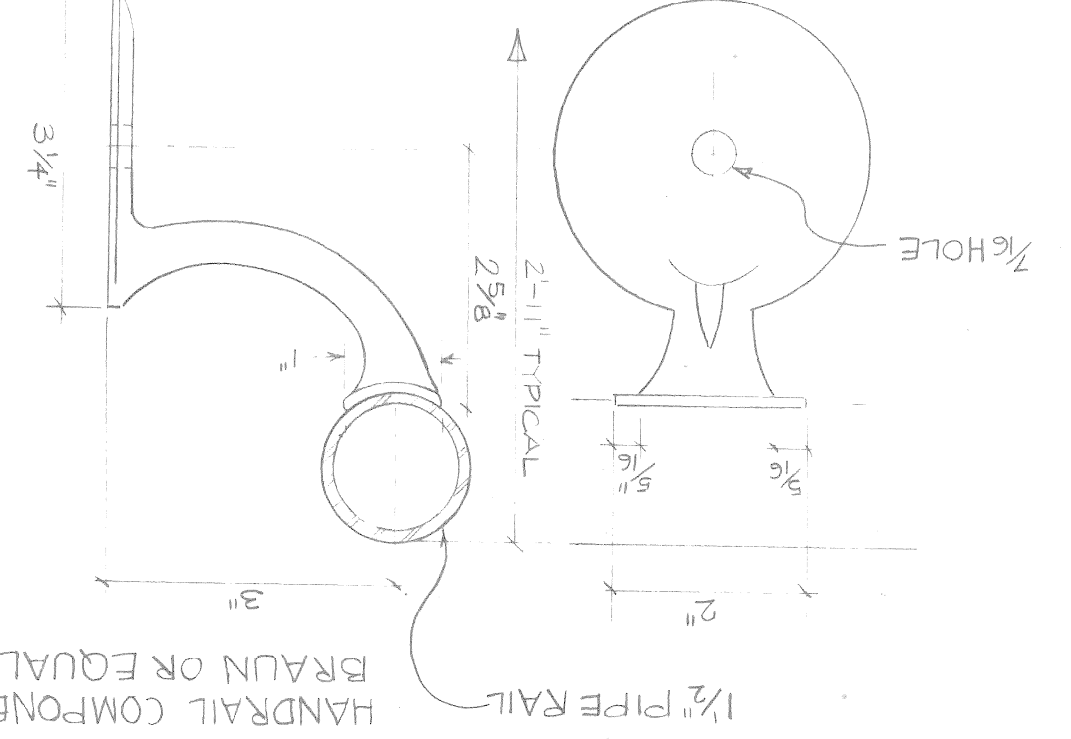


REMOVE EXISTING ALUM./GLASS DOORS AND FRAMES AT ENTRANCE AND VESTIBULE. REMOVE WOOD FRAMING AT ENTRANCE. FURNISH AND INSTALL DOORS AND FRAMES AS MANUFACTURED BY KAWNEER OR APPROVED EQUAL.

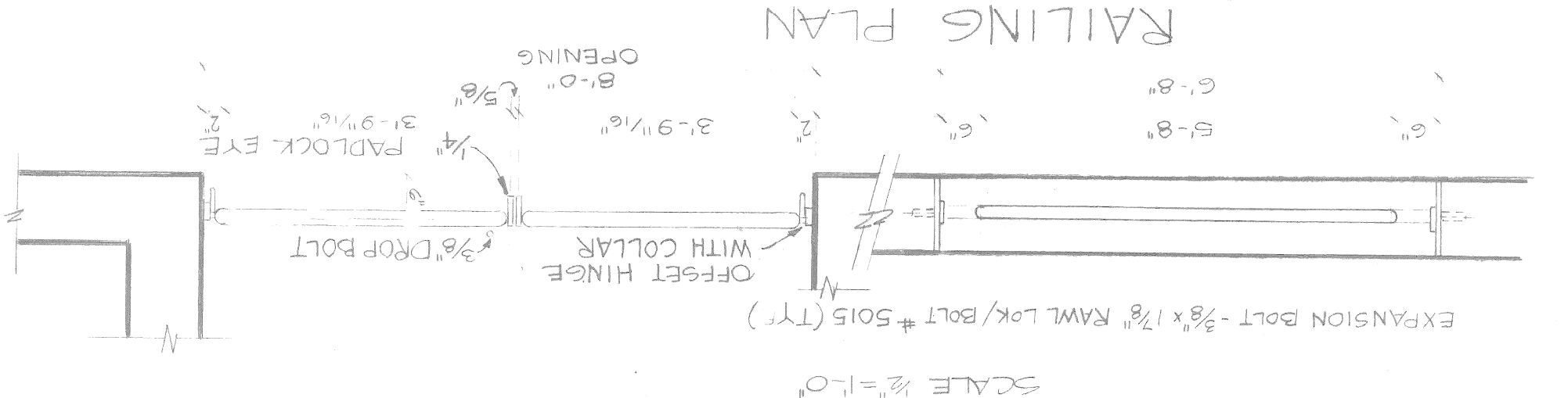
SIDELIGHT BASE DETAIL SCALE 1/2" = 1'-0"



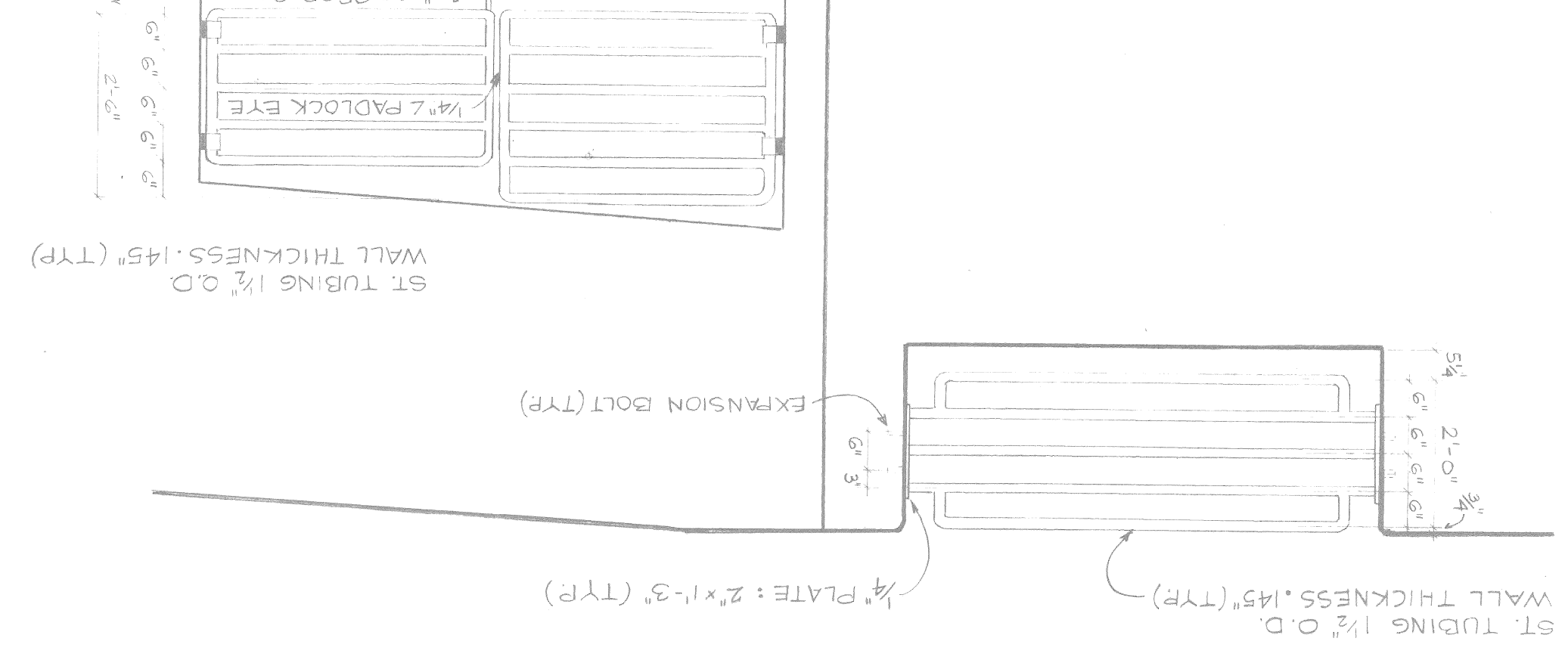
HANDRAIL DETAIL SCALE 1/2" = 1'-0"



RAILING PLAN SCALE 1/2" = 1'-0"



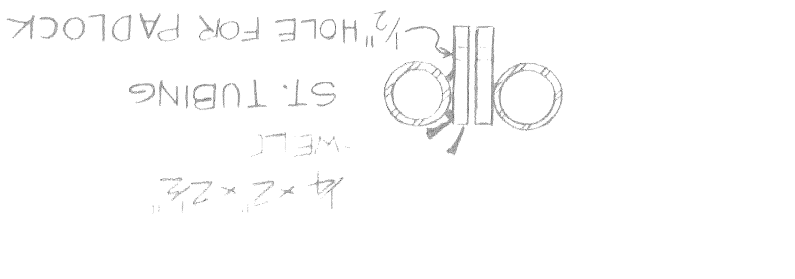
RAILING ELEVATION SCALE 1/2" = 1'-0"



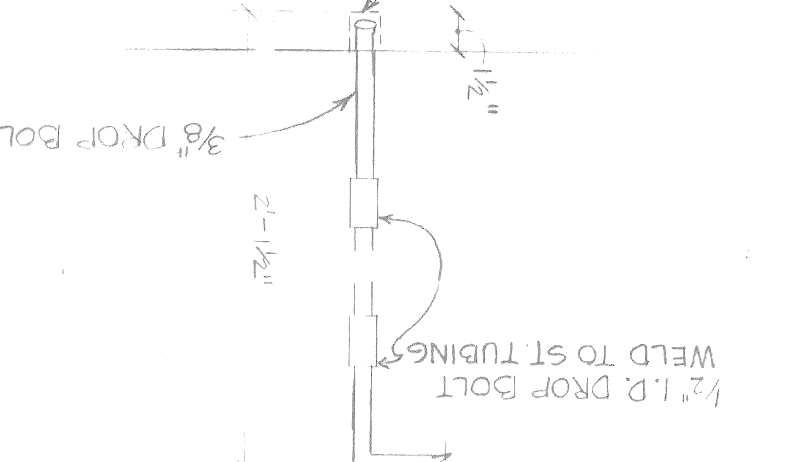
PAINTING FERROUS METALS: HANDRAILS, RAILING, GATES PRIMER-KEN KROMIC METAL PRIMER FINISH - 2 COATS QUALI-CRAFT ALKID EG-SHELL ENAMEL

WELD TO ST TUBING
1/2" L.D. DROP BOLT
3/8" DROP BOLT
2" DIA.

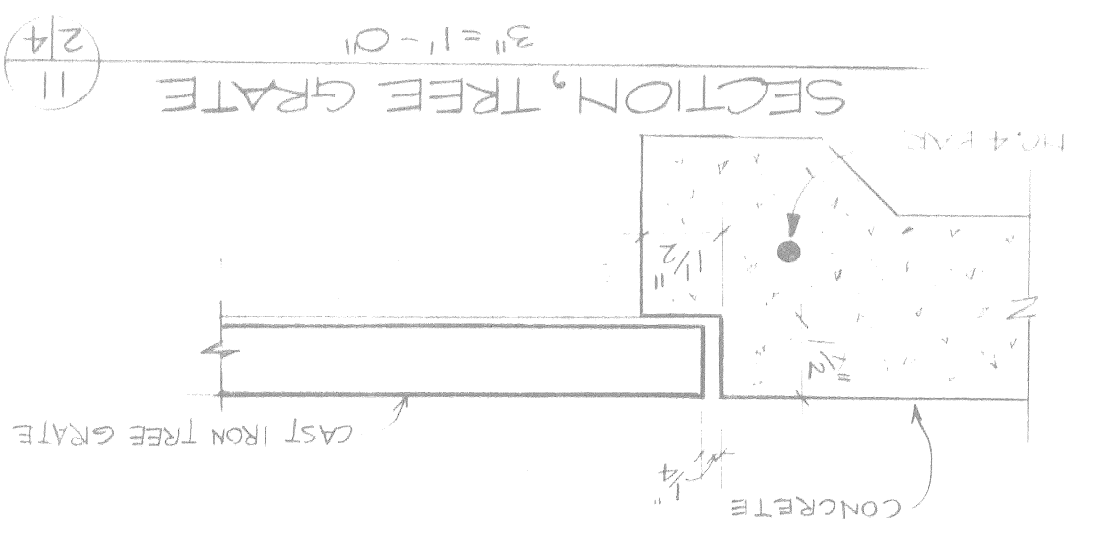
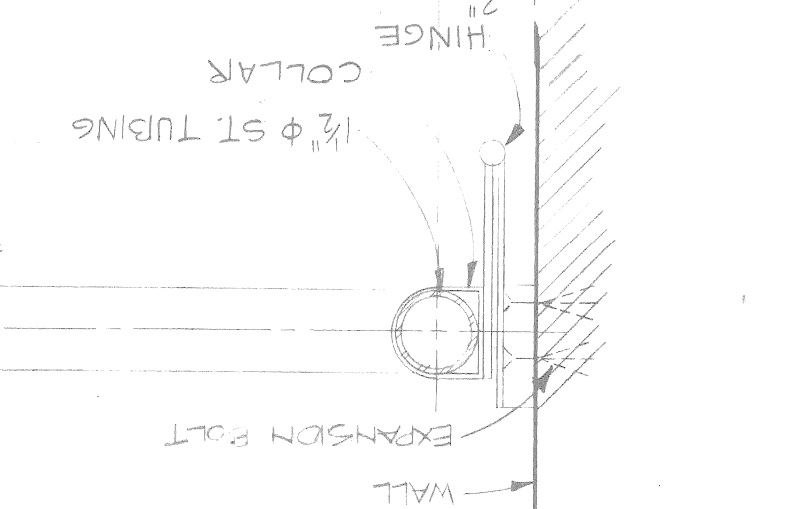
LOCK CATCH DETAIL SCALE 1/2" = 1'-0"



PROP ROD GUIDE SCALE 1/2" = 1'-0"



OFF-SET COLLAR HINGE SCALE 1/2" = 1'-0"



date 10-13-88
drawing no. AS-4
of 5
sheet 4
contract no. DBA-52
a.o. 88-42-01

HANDICAPPED ENTRANCE
NEIGHBORHOOD SERVICES DEPARTMENT
5031 GRANDY, DETROIT, MICHIGAN
DETAILS

CITY OF DETROIT
City Engineering Department
for Neighborhood Services Department

designed by [Signature]
drawn by [Signature]
checked by [Signature]
approved: [Signature]

no.	revisions	date
1		
2		
3		
4		
5		

**HANDICAPPED ENTRANCE
STEEL REINFORCEMENT DETAILS**
NEIGHBORHOOD SERVICES DEPARTMENT
5031 GRANDY, DETROIT, MICHIGAN
REVISIONS

NO.	DESCRIPTION	DATE	BY

CONTRACT # DBA-52
SHEET 5 OF 5
DRAWN BY
CHECKED BY
TAGGED BY
SQUAD BOSS

DWG.# AS-5-10-13-88

BAR NUMBERS:
EPOXY COATED
BAR SHAPE
BAR SIZE
BAR LENGTH (FT)
BAR LENGTH (IN)
EA062906

WORK THIS SHEET WITH SHEET NO. THRU

ALL BENDS IN REINFORCING STEEL TO BE MADE ABOUT A PIN OF THE MINIMUM DIAMETER ALLOWED BY THE STANDARD SPECIFICATION.

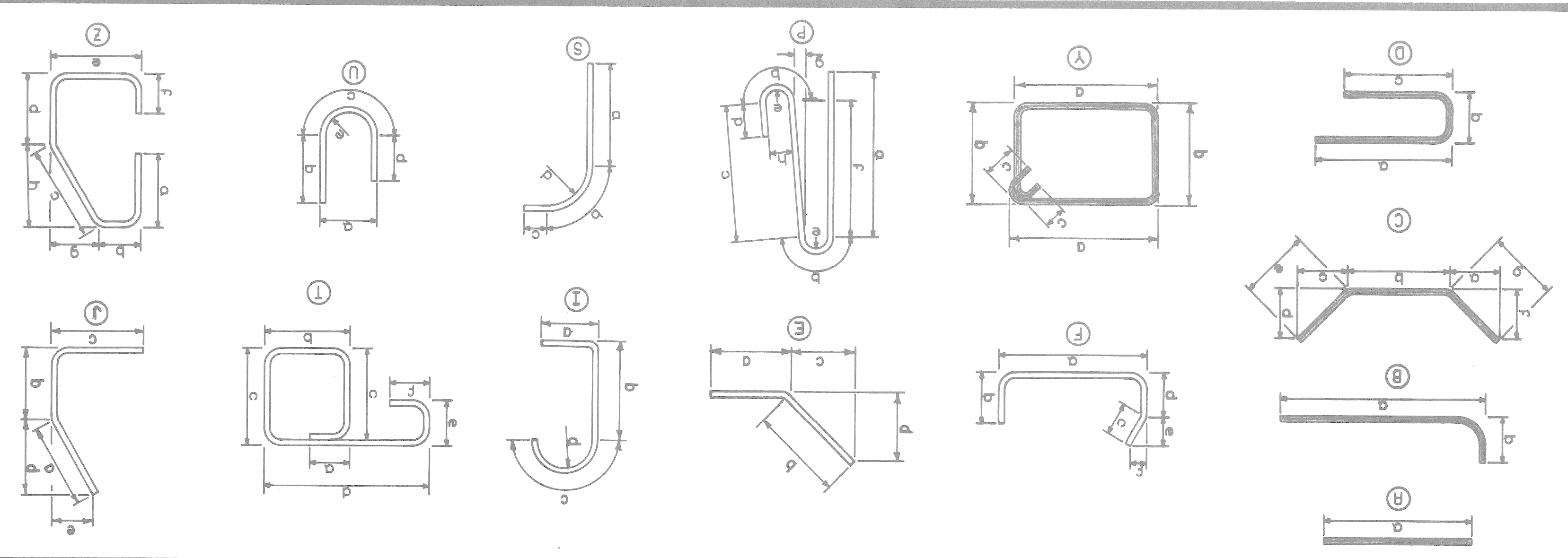
TOLERANCES IN CUTTING AND BENDING BARS ARE AS ESTABLISHED IN MANUAL OF STANDARD PRACTICE OF THE REINFORCING STEEL INSTITUTE AND DETAILING MANUAL OF THE AMERICAN CONCRETE INSTITUTE.

WHERE FIELD CUTTING OF EPOXY BARS IS REQUIRED, THE CONTRACTOR SHALL REPAIR THE EPOXY COATING AT THE CUT END AS PROVIDED FOR IN STANDARD SPECIFICATION 8.05.03 (INCIDENTAL TO STEEL REINFORCEMENT EPOXY COATED).

REINFORCEMENT SHALL BE BUNDLED AND TAGGED AS TO THE LOCATION AS SHOWN ON THIS SHEET.

WHERE A DIMENSION OF A BAR IS NOT SHOWN ON THE PLANS, OR CANNOT BE DETERMINED FROM THE DETAILED DIMENSIONS, THE DIMENSION SHALL BE THE STANDARD BEND LENGTH.

THE CONTRACTOR SHALL SUBMIT ORIGINAL SHOP DRAWINGS FOR FABRICATION, BENDING AND PLACEMENT OF CONCRETE REINFORCEMENT. THE SHOP DRAWINGS SHALL COMPLY WITH ACI 315-80 "DETAILS AND DETAILING OF CONCRETE REINFORCEMENT" AND ACI 318-80 "MANUAL OF ENGINEERING AND PLACING DRAWINGS FOR REINFORCED CONCRETE STRUCTURES". SHOP DRAWINGS SHALL INCLUDE STIRRUP SPACING, DIAGRAMS OF BENT BARS, ARRANGEMENT, SPACING AND BAR MARKS OF CONCRETE REINFORCEMENT.



NO.	BAR	DIMENSIONS											NO. TOTAL	
		a	b	c	d	e	f	g	h					
155	N062008	20.2"											5	155
147	N061906	19.6"											5	147
83	N061806	18.6"											3	83
79	N061706	17.6"											3	79
47	N061509	15.9"											2	47
44	N061409	14.9"											2	44
105	N060700	7.0"											10	105
68	N060406	4.6"											10	68
147	N060306	3.6"											28	147
45	N060209	2.9"											11	45
42	N060200	2.0"											14	42
27	N040500	5.0"											8	27
2	N040103	1.3"											2	2
198	B060600	1.9"	4.3"										22	198
110	B060503	1.0"	4.3"										14	110
121	B060409	1.9"	3.0"										17	121
68	B060406	1.6"	3.0"										10	68
51	C041209	0.7"	9.3"	1.10"	0.9"	2.0"	1.5"	1.6"					6	51

NO.	BAR	DIMENSIONS											NO. TOTAL	
		a	b	c	d	e	f	g	h					
18	E030610	6.10"											7	18
4	E030506	5.6"											2	4
53	E0607100	0.4"	6.8"										5	53
25	E0607106	1.6"	6.0"										5	25
24	E0607103	1.6"	5.9"										5	24
30	E040606	1.0"	5.6"										7	30
24	E0403000	1.0"	2.0"										12	24
18	E041309	0.7"	10.10"	1.4"	0.7"	1.5"	1.5"	1.6"					2	18
60	E050802	3.9"	0.8"	3.9"									7	60
5	E040308	0.8"	0.10"	0.4"									2	5

NO.	BAR	DIMENSIONS											NO. TOTAL	
		a	b	c	d	e	f	g	h					
124	E061004	10.4"											8	124
29	E060909	9.9"											2	29
27	E060901	9.1"											2	27
263	E060809	8.9"											20	263
26	E060806	8.6"											2	26
24	E060711	7.11"											2	24
94	E060710	7.10"											8	94
251	E060707	7.7"											22	251
22	E060703	7.3"											2	22
20	E060608	6.8"											2	20
66	E060603	6.3"											7	66
274	E060601	6.1"											30	274
109	E060507	5.7"											13	109
177	E050806	8.6"											20	177
133	E041910	19.10"											10	133
130	E041906	19.6"											10	130
140	E041706	17.6"											12	140
166	E041506	15.6"											16	166
104	E041200	12.0"											13	104
13	E041000	10.0"											2	13
20	E040600	6.0"											5	20
19	E040509	5.9"											5	19
27	E040500	5.0"											8	27
6	E040403	4.3"											2	6
40	E040400	4.0"											15	40

TOTAL EPOXY BARS = 2565 LB

TOTAL PLAIN BARS = 1539 LB