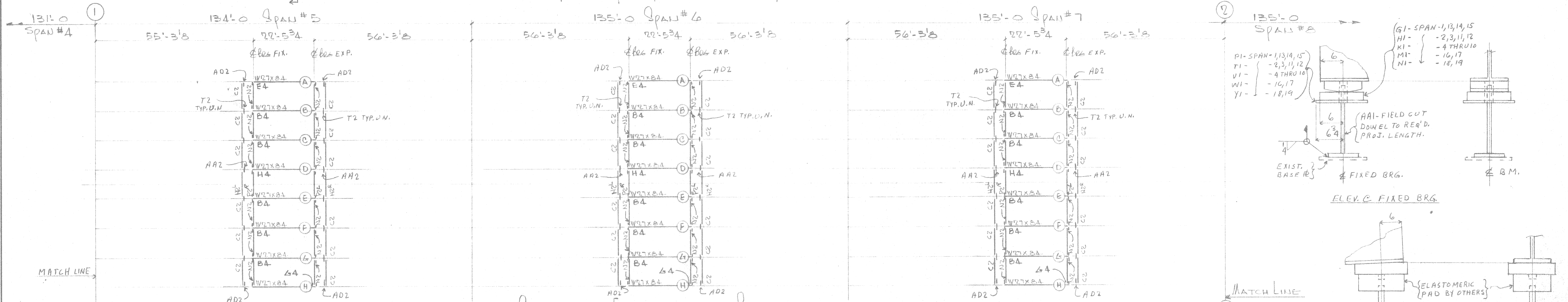
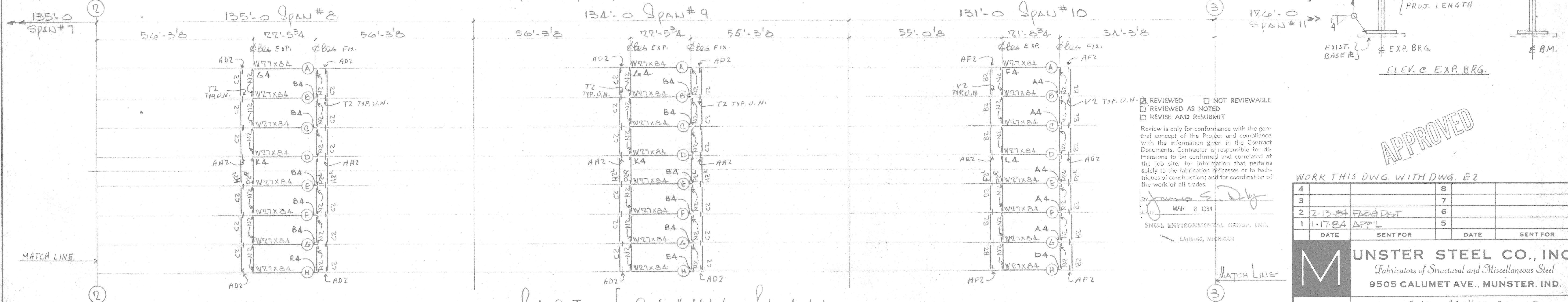


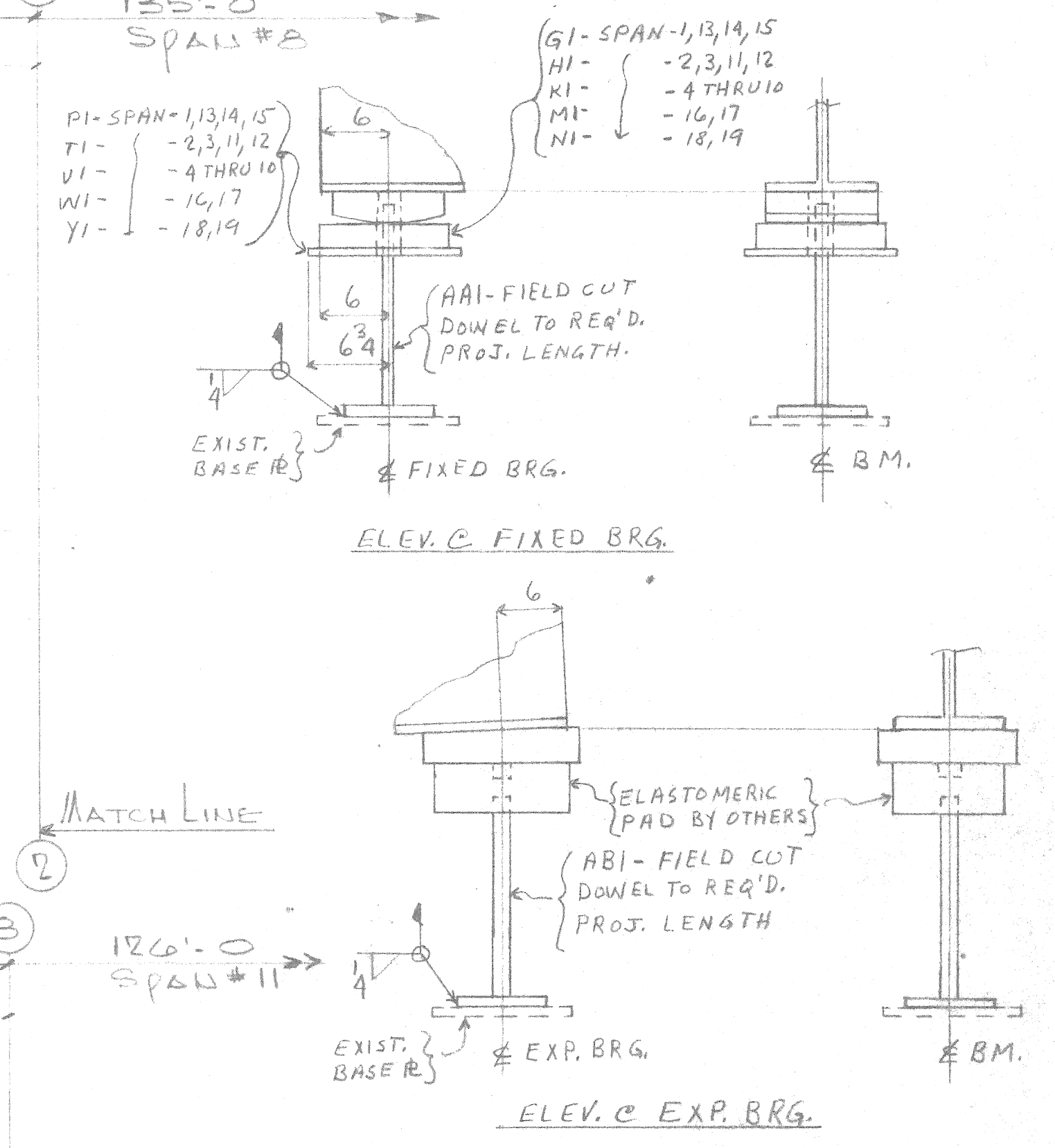
PART FRAMING PLAN



PART FRAMING PLAN



PART FRAMING PLAN



REVIEWED  NOT REVIEWABLE  
 REVIEWED AS NOTED   
 REVISE AND RESUBMIT   
 Review is only for conformance with the general concept of the Project and compliance with the information given in the Contract Documents. Contractor is responsible for dimensions to be confirmed and correlated at the job site; for information that pertains solely to the fabrication processes or to techniques of construction; and for coordination of the work of all trades.  
 BY: *James S. Dwy*  
 DATE: MAR 8 1984  
 SHELL ENVIRONMENTAL GROUP, INC.  
 LANSING, MICHIGAN

**APPROVED**

WORK THIS DWG. WITH DWS. E2

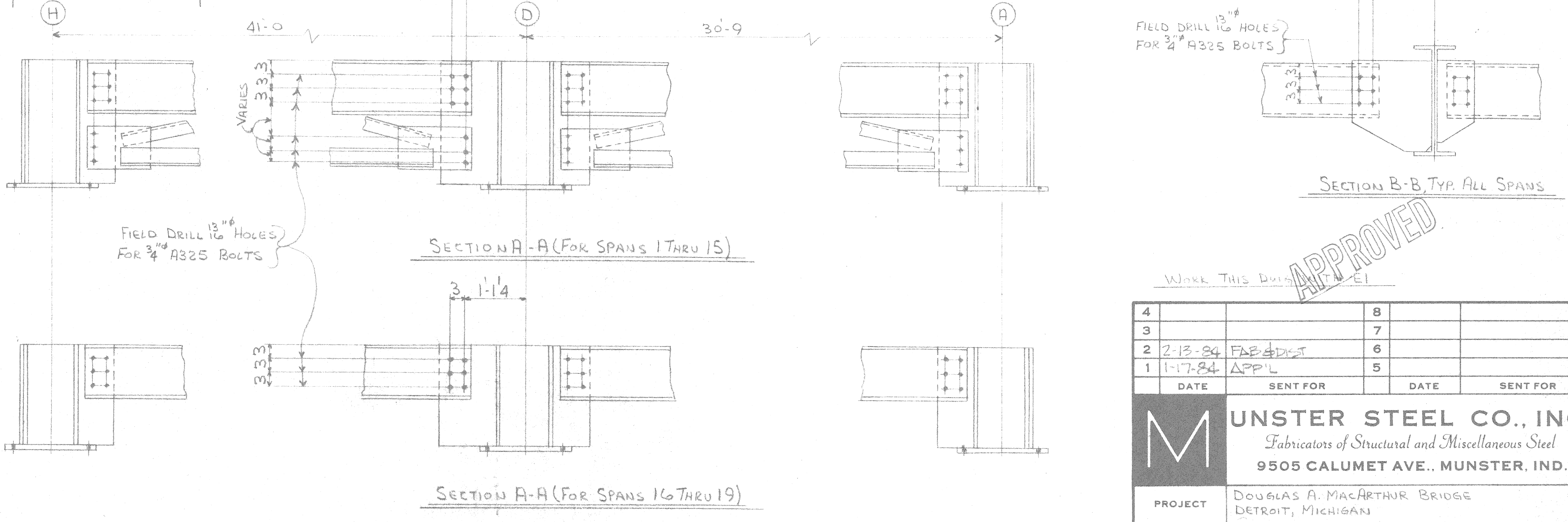
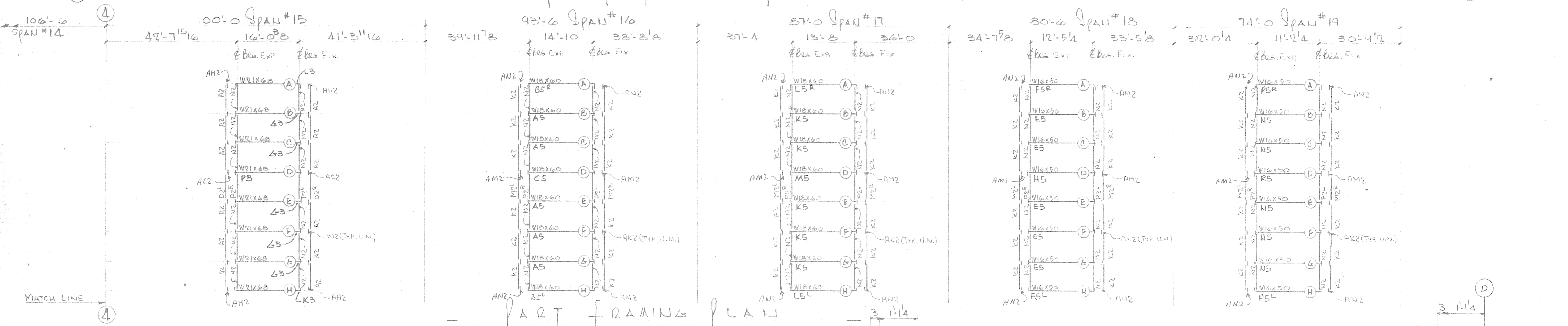
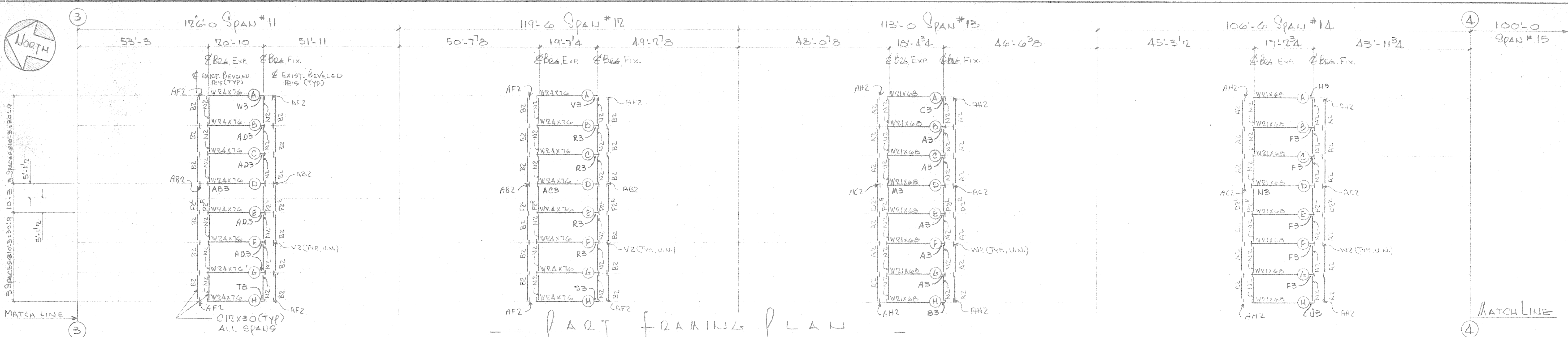
4	8
3	7
2	6
1	5

DATE	SENT FOR	DATE	SENT FOR

**MUNSTER STEEL CO., INC.**  
 Fabricators of Structural and Miscellaneous Steel  
 9505 CALUMET AVE., MUNSTER, IND.

PROJECT	DOUGLAS A. MACARTHUR BRIDGE DETROIT, MICHIGAN
CUSTOMER	JUTTON - KELLY
HOLES	
PAINT	
DRAWN	
CHECKED	
DATE	

ERECTION DIAGRAM  
 CONTRACT No. 1996  
 SHEET No. E1  
 MCD 9-84



**GENERAL NOTES**

- (1) ALL MATERIAL SHOWN SHALL BE FABRICATED IN ACCORDANCE WITH THE 1979 EDITION OF MICHIGAN DEPARTMENT OF TRANSPORTATION STANDARD SPECIFICATIONS AND SUPPLEMENTAL SPECIFICATION FOR WELDING STRUCTURAL STEEL.
- (2) ALL MATERIAL SHALL BE ASTM. A572, GRADE 50 UNLESS NOTED, AND SHALL MEET THE CHIPPY V-NOTCH IMPACT REQUIREMENTS AS SHOWN FOR A588 STEEL IN ART. 8.06.04 OF THE STD. SPECIFICATIONS. (15 FT./LBS. @ 40°F)
- (3) WELDING TO BE DONE IN ACCORDANCE WITH AWS SPECS.
- (4) ALL BOLTS ARE TO BE A325 TYPE 1.
- (5) ALL MATERIAL TO BE PAINTED OR GALVANIZED SHALL BE BLAST CLEANED PER SPECIFICATION SSPC-SP10-63.
- (6) FOR PAINTING, ALL BURLED OR SHARP EDGES ON ALL STEEL MEMBERS SHALL BE REMOVED BY GRINDING BEFORE CLEANING. ANY AREA AROUND AFTER BLASTING MUST BE REPROFILED BEFORE PAINTING.
- (7) ALL STEEL SHALL BE PAINTED ONE SHOP COAT OF INORGANIC ZINC., U.N.

APPROVED

4		8
3		7
2	2-13-84 F&E & DET	6
1	1-17-84 APP'L	5
DATE	SENT FOR	DATE SENT FOR
<b>MUNSTER STEEL CO., INC.</b>		
Fabricators of Structural and Miscellaneous Steel		
9505 CALUMET AVE., MUNSTER, IND.		
PROJECT	DOUGLAS A. MACARTHUR BRIDGE DETROIT, MICHIGAN	
CUSTOMER	JUTTON - KELLY	
HOLES PAINT DRAWN	CHECKED WPP 12-27-83	EJECTION DIAGRAM
		CONTRACT NO. 1996
		SHT. 192 E2

MCD 9-84