

NOTE - ELEV. OF TOP OF CATCH BASINS, DRAIN POOLS AND FLOOR DRAINS GIVEN ON PAVEMENT PLAN SHEET #1.

NOTE: REVISED DIMENSIONS AND ELEVATIONS SHOWN THUS

NOTE
SEWER LINES INDICATED THUS
WATER LINES INDICATED THUS

LEGEND

CONCRETE PIPE	C.P.	MAN HOLE	M.H.
FLOOR DRAIN	F.D.	FIRE HYDRANT	F.H.
CATCH BASIN	C.B.	DRINKING FOUNTAIN	D.F.
DRAIN POOL	D.P.	CAST IRON	C.I.

DRAINAGE AND FOOTING PLAN

SCALE 1" = 20'

NOTED BY	DESCRIPTION	DRN	CK'D	APVD	DATE
	REVISIONS				

DESIGNED BY	R.W. STEVENTON E.E. STAPULA
DRAWN BY	R.W. STEVENTON E.E. STAPULA
TRACED BY	
CHECKED BY	E.E. STAPULA

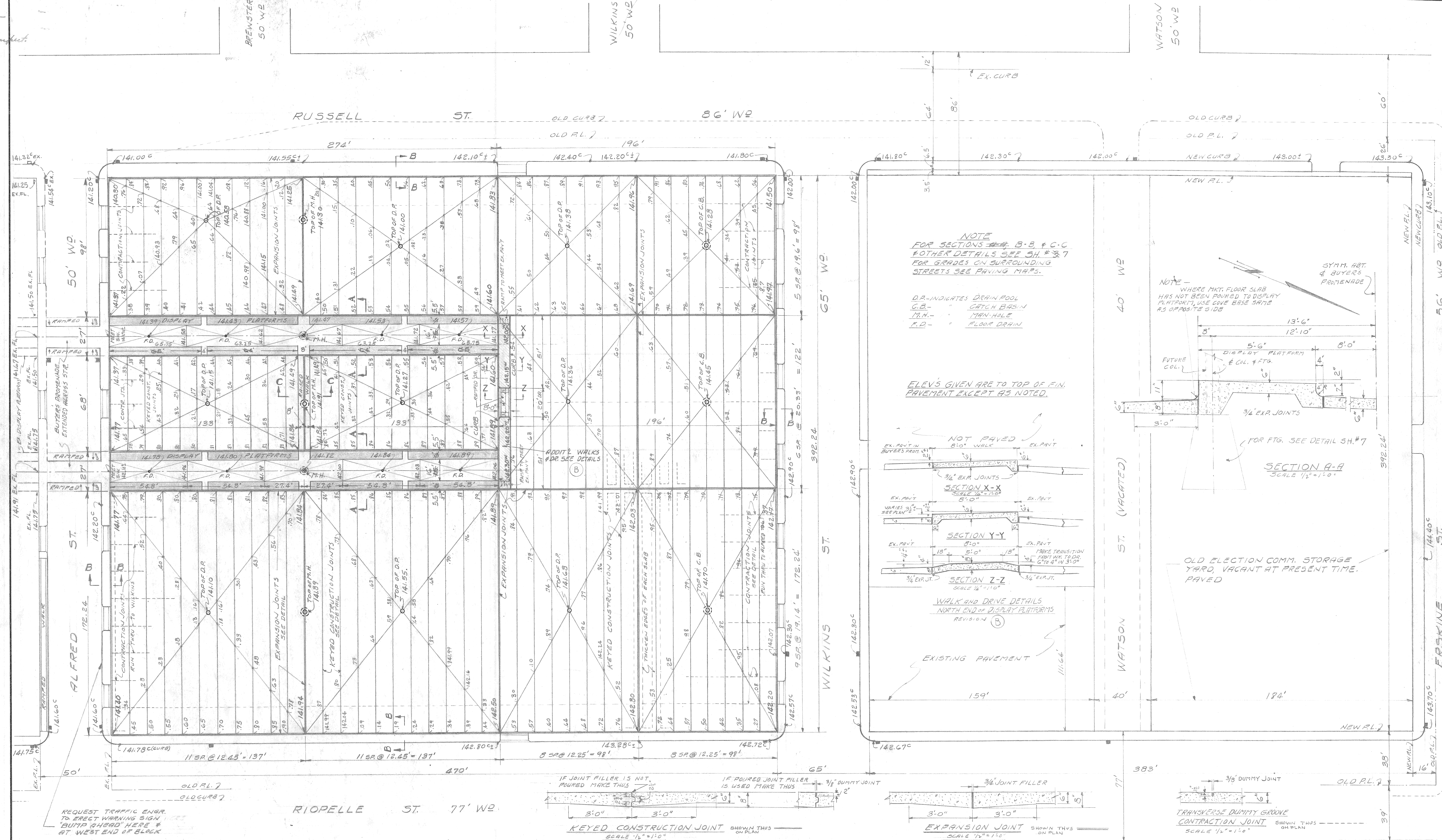
APPROVED:	
ENGINEER OF STREETS	<i>W. W. ...</i>
CITY ENGINEER	<i>W. R. ...</i>

PAVEMENT FOR EASTERN MARKET
BETWEEN RUSSELL & RIOPELLE NORTH OF ALFRED.
DRAINAGE AND FOOTING PLAN
MARCH 11, 1940

CITY OF DETROIT
DEPARTMENT OF PUBLIC WORKS
CITY ENGINEERS OFFICE
BUREAU OF PUBLIC STRUCTURES
STREETS

12 BP
 4-3-42
 6 BP-6-25-42
 3 BP-9-9-42
 6 BR-10-5-42
 3 BP-10-6-42 - *Amplified*

300 4-17-41 POST



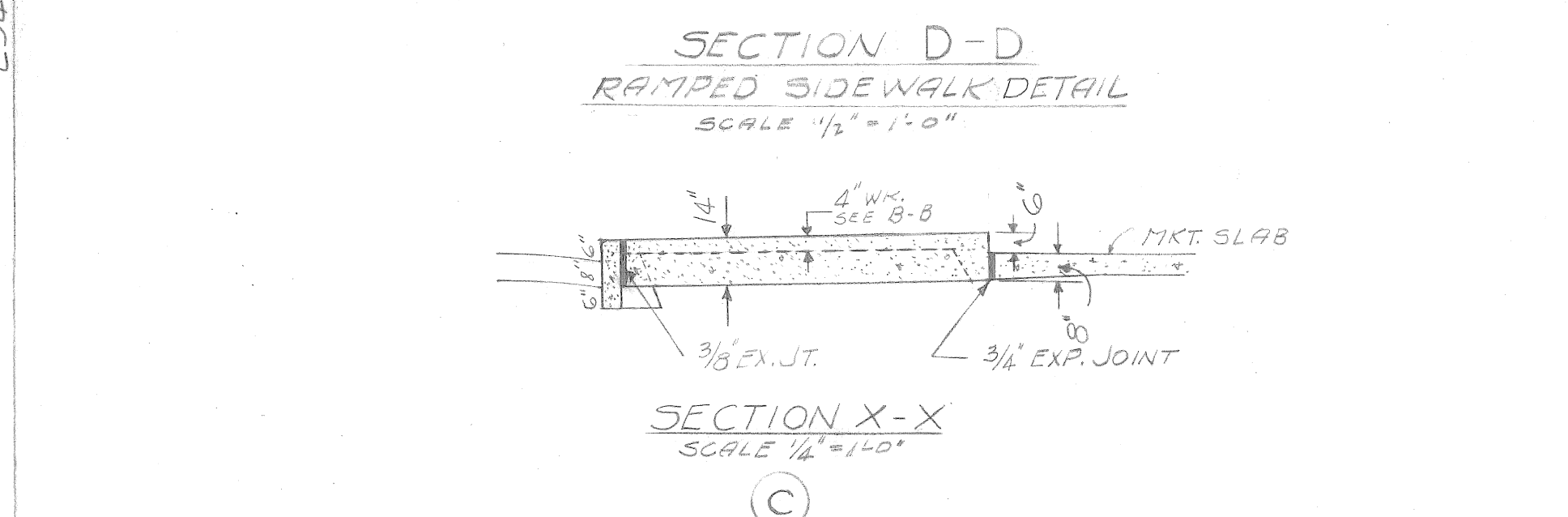
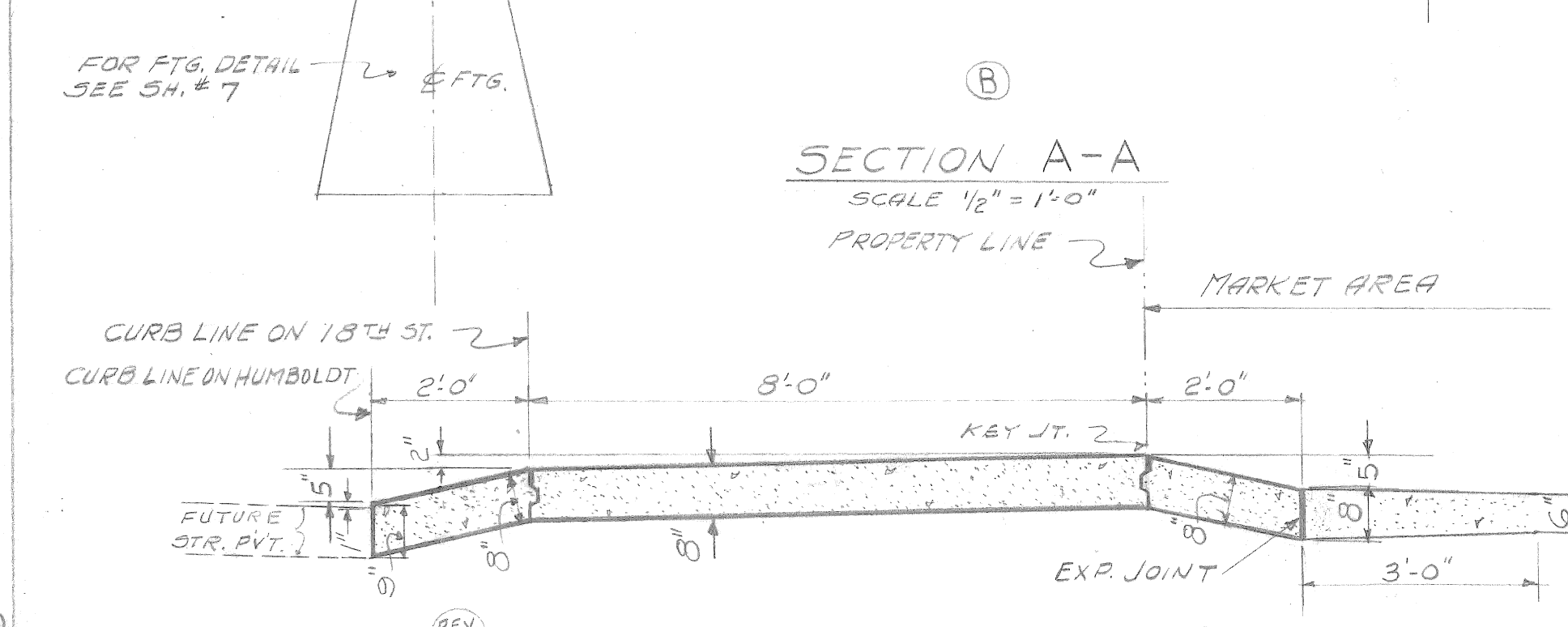
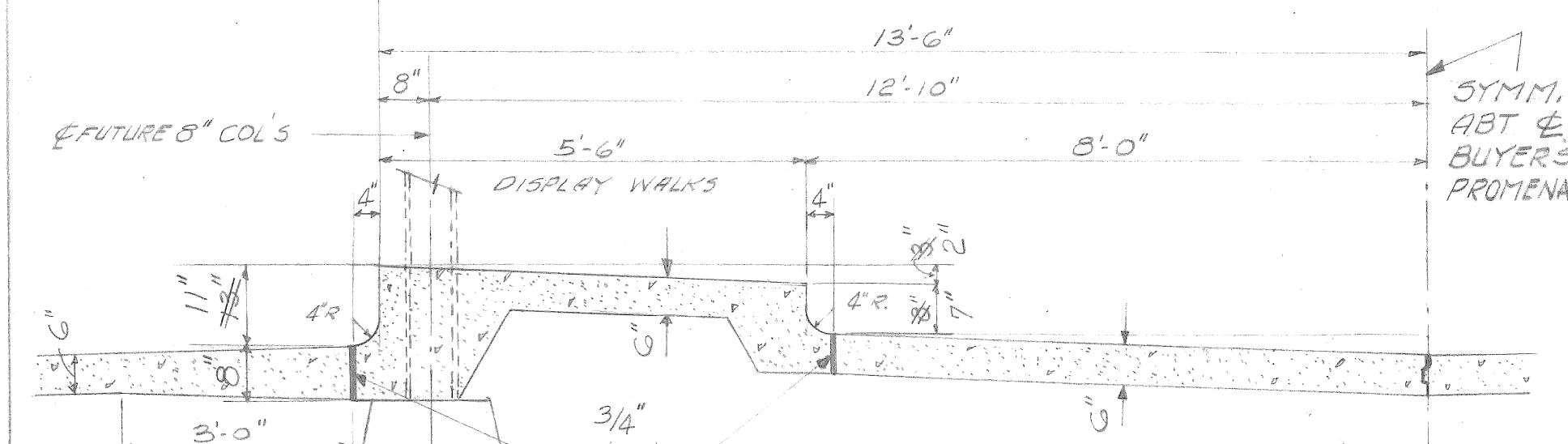
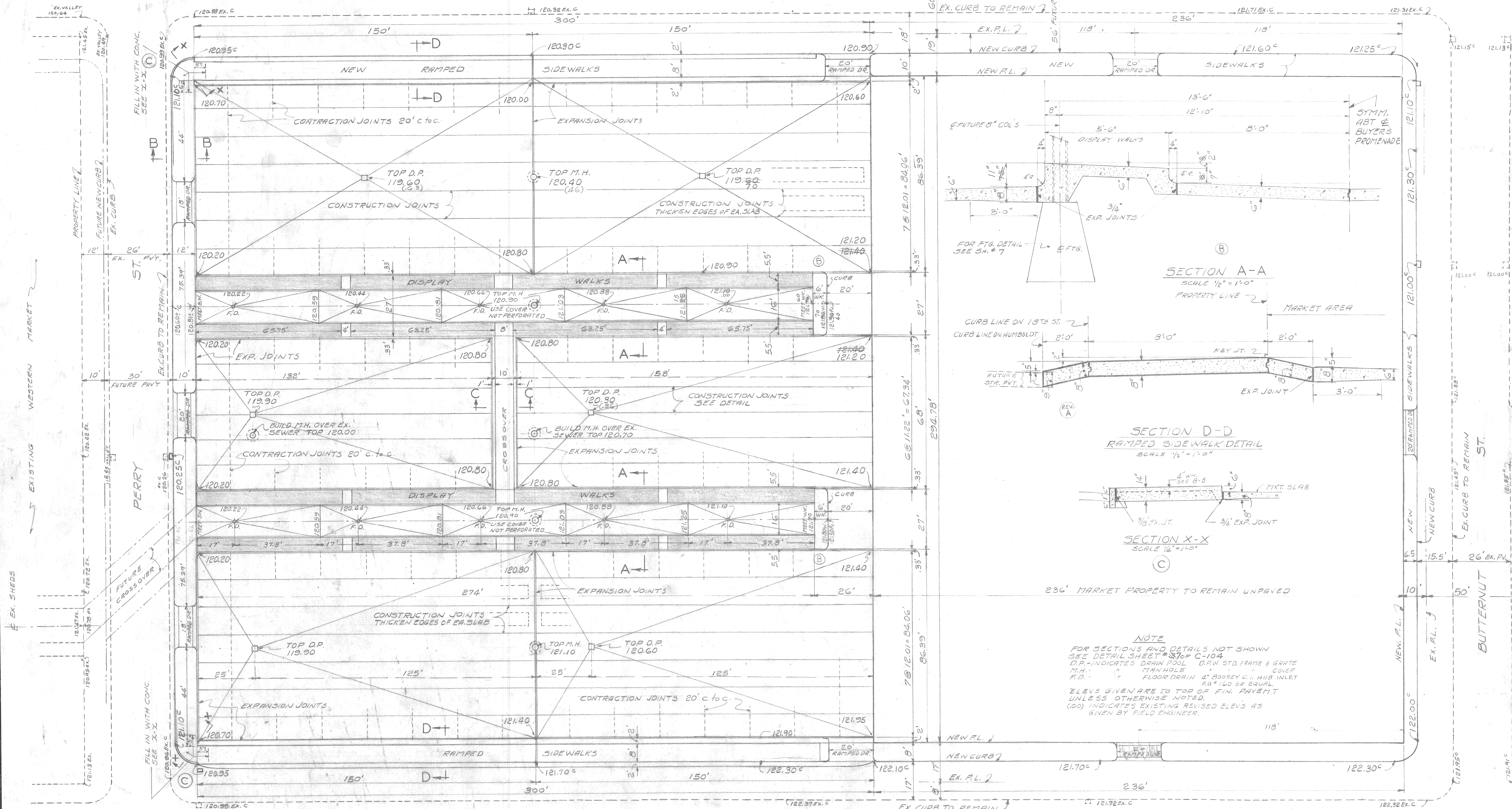
REQUEST TRAFFIC ENGR.
 TO ERECT WARNING SIGN
 "BUMP AHEAD" HERE &
 AT WEST END OF BLOCK

DESIGNED BY	<i>E. E. Stefania</i>	APPROVED:	<i>W. Wallace</i> ENGINEER OF STREETS
DRAWN BY	<i>E. E. Stefania</i>	CITY ENGINEER	<i>J. B. Thompson</i>
TRACED BY			
CHECKED BY	<i>E. E. Stefania</i>		

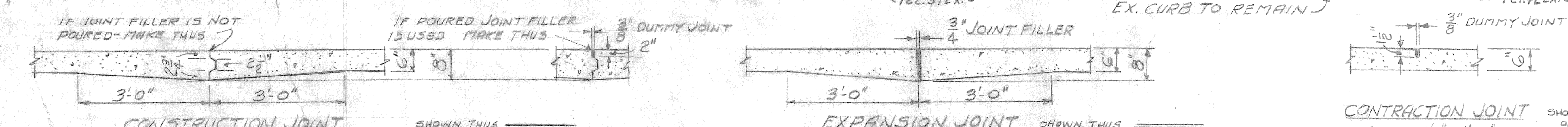
PAVEMENT FOR EASTERN MARKET
BETWEEN RUSSELL & RIOPELLE NORTH OF ALFRED
 NOV. 26, 1941
 SCALE 1" = 30'

CITY OF DETROIT
 DEPARTMENT OF PUBLIC WORKS
 CITY ENGINEERS OFFICE
 BUREAU OF STREETS
 SHEET 3 OF 7 SHEETS
 CONTRACT WPA
 DRWG No. C-104
 424330
 Draw. 8

HUMBOLDT AVE.



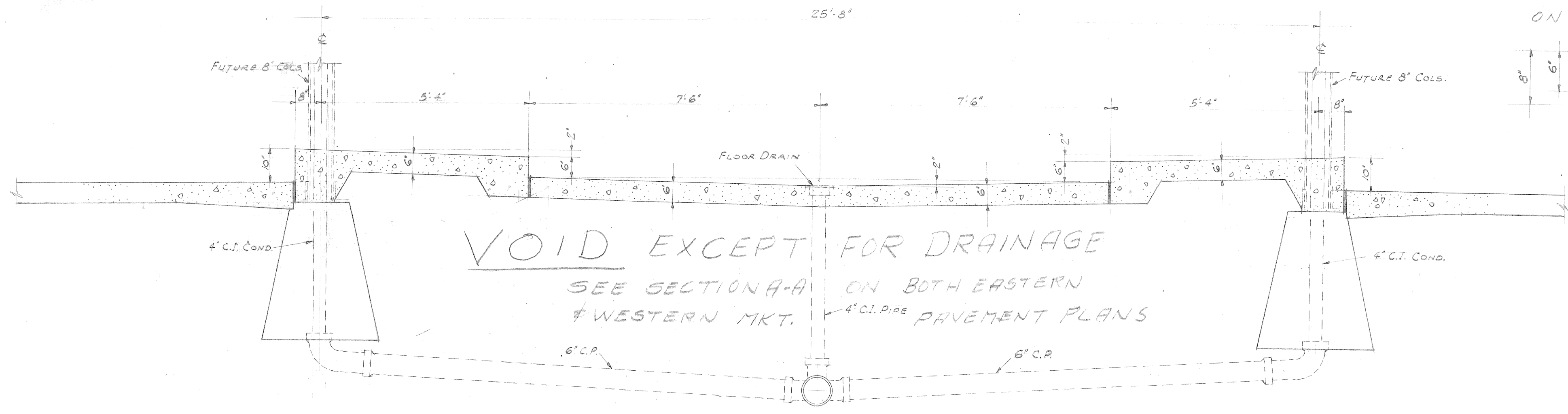
NOTE
 FOR SECTIONS AND DETAILS NOT SHOWN
 SEE DETAIL SHEET # 7 OF C-104
 D.P. - INDICATES DRAIN POOL D.W. STD. FRAME & GRATE
 M.H. - " MANHOLE " COVER
 F.D. - " FLOOR DRAIN 4" BOOSEY C.I. HUB INLET
 EA* 160 OR EQUAL
 *Elevs GIVEN ARE TO TOP OF FIN. PAVEMENT
 UNLESS OTHERWISE NOTED.
 (00) INDICATES EXISTING REVISED ELEV'S AS
 GIVEN BY FIELD ENGINEER.



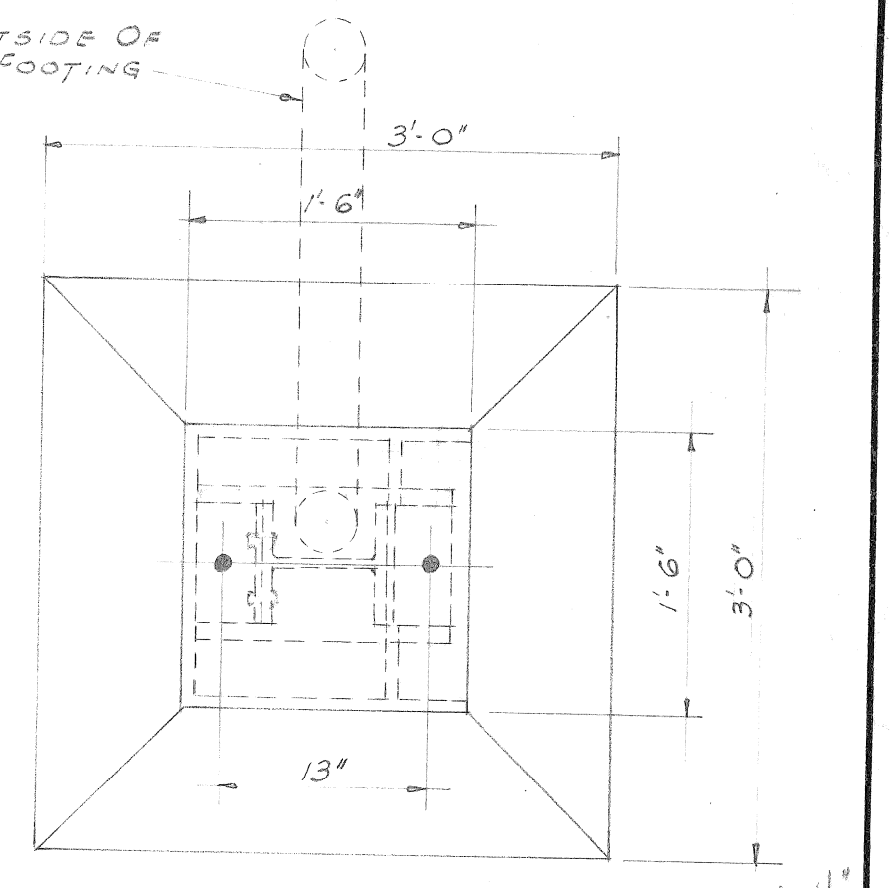
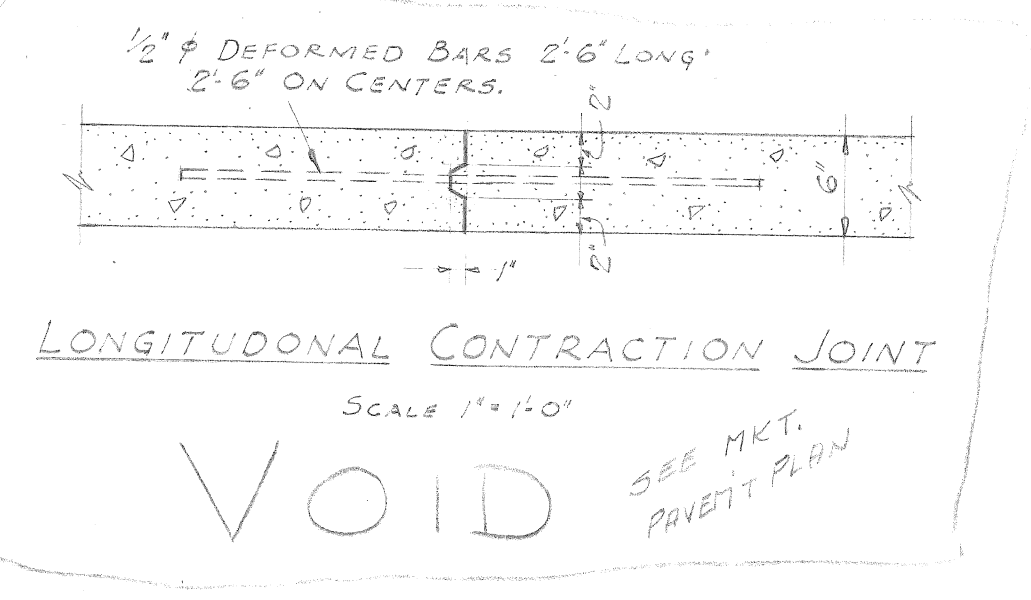
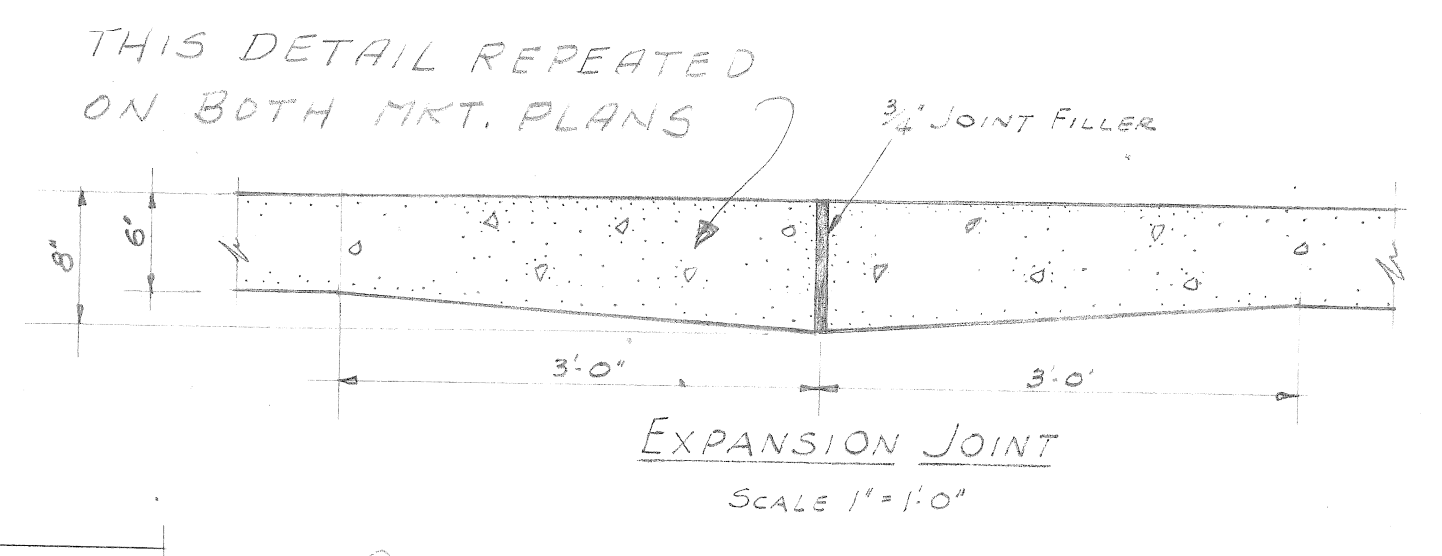
NOTE: MARKET CONSTRUCTION INCLUDING SURROUNDING SIDEWALKS AND CURBS IS BASED ON THE FUTURE WIDENING AND REBUILDING OF PAVEMENTS ON EIGHTEENTH ST, PERRY ST, HUMBOLDT AVE, AND BUTTERNUT ST, SURROUNDING THE MARKET AREA.

THIS DRAWING SUPERSEDES DRAWINGS OF SAME TITLES DATED MAR. 25, 1940 AND OF JAN. 7, 1942.

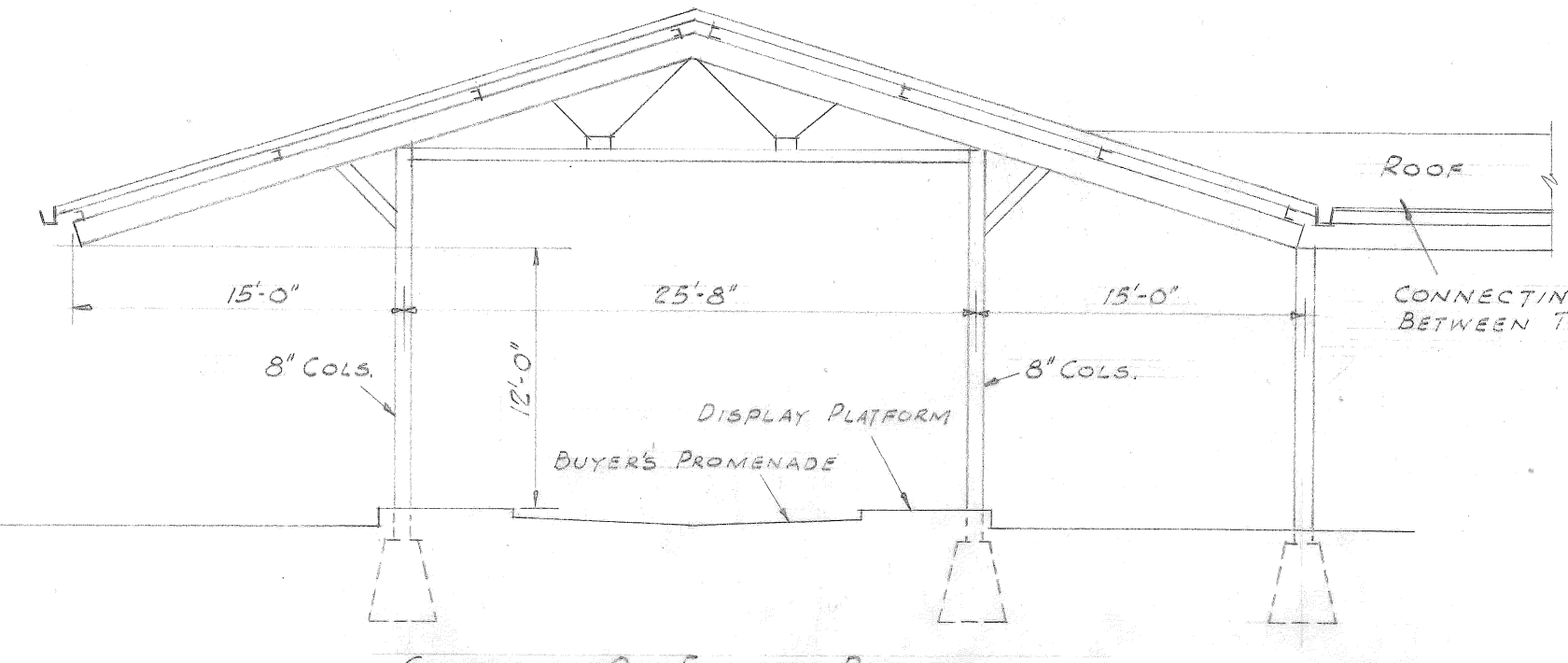
<table border="1"> <tr><td>DESIGNED BY</td><td>E. E. Stephen</td></tr> <tr><td>DRAWN BY</td><td>E. E. Stephen</td></tr> <tr><td>TRACED BY</td><td></td></tr> <tr><td>CHECKED BY</td><td>E. E. Stephen</td></tr> </table>	DESIGNED BY	E. E. Stephen	DRAWN BY	E. E. Stephen	TRACED BY		CHECKED BY	E. E. Stephen	<table border="1"> <tr><td>APPROVED:</td><td>J. L. Boston</td></tr> <tr><td></td><td>W. J. Wallace</td></tr> <tr><td>ENGINEER OF STREETS</td><td></td></tr> <tr><td></td><td>Martin R. Fisher</td></tr> <tr><td>CITY ENGINEER</td><td></td></tr> </table>	APPROVED:	J. L. Boston		W. J. Wallace	ENGINEER OF STREETS			Martin R. Fisher	CITY ENGINEER		<p>PAVEMENT FOR WESTERN MARKET BETWEEN HUMBOLDT AND EIGHTEENTH NORTH OF PERRY.</p>	<p>CITY OF DETROIT DEPARTMENT OF PUBLIC WORKS CITY ENGINEERS OFFICE BUREAU OF STREETS</p>	<p>SHEET 6 OF 7 SHEETS CONTRACT W.P.A. DRWG No. C-104</p>
DESIGNED BY	E. E. Stephen																					
DRAWN BY	E. E. Stephen																					
TRACED BY																						
CHECKED BY	E. E. Stephen																					
APPROVED:	J. L. Boston																					
	W. J. Wallace																					
ENGINEER OF STREETS																						
	Martin R. Fisher																					
CITY ENGINEER																						
<table border="1"> <tr><th>NOTED BY</th><th>DESCRIPTION</th><th>DRN</th><th>CK'D</th><th>AP'D</th><th>DATE</th></tr> <tr><td></td><td>REVISIONS</td><td></td><td></td><td></td><td></td></tr> </table>	NOTED BY	DESCRIPTION	DRN	CK'D	AP'D	DATE		REVISIONS					<p>FEB. 3 1942 FIELD BOOK 1433 PAGE 11 SCALE 1"=20' EXCEPT AS NOTED</p>				<p>121.453 B.M. 19.310 - CROSS ON E. SIDE OF DOORSILL AT 2726 MICH. ON N.S. OF MICH. OPP. 20TH - 120.459</p>					
NOTED BY	DESCRIPTION	DRN	CK'D	AP'D	DATE																	
	REVISIONS																					



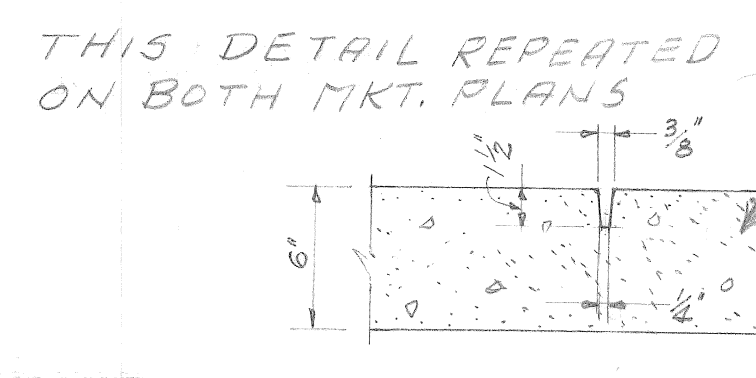
SECTION A-A
SCALE 1/2\"/>



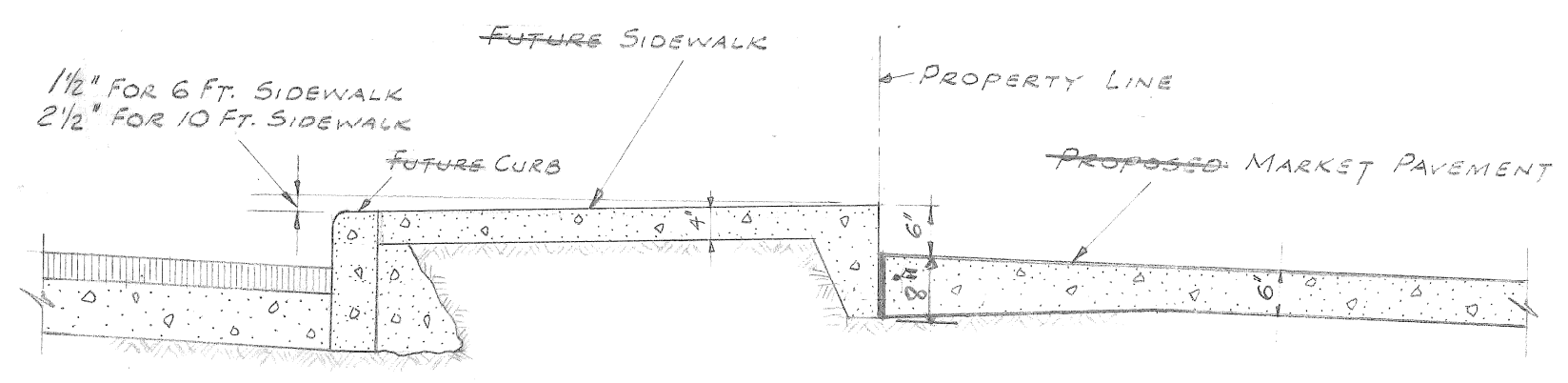
PLAN OF COLUMN FOOTINGS
SCALE 1\"/>



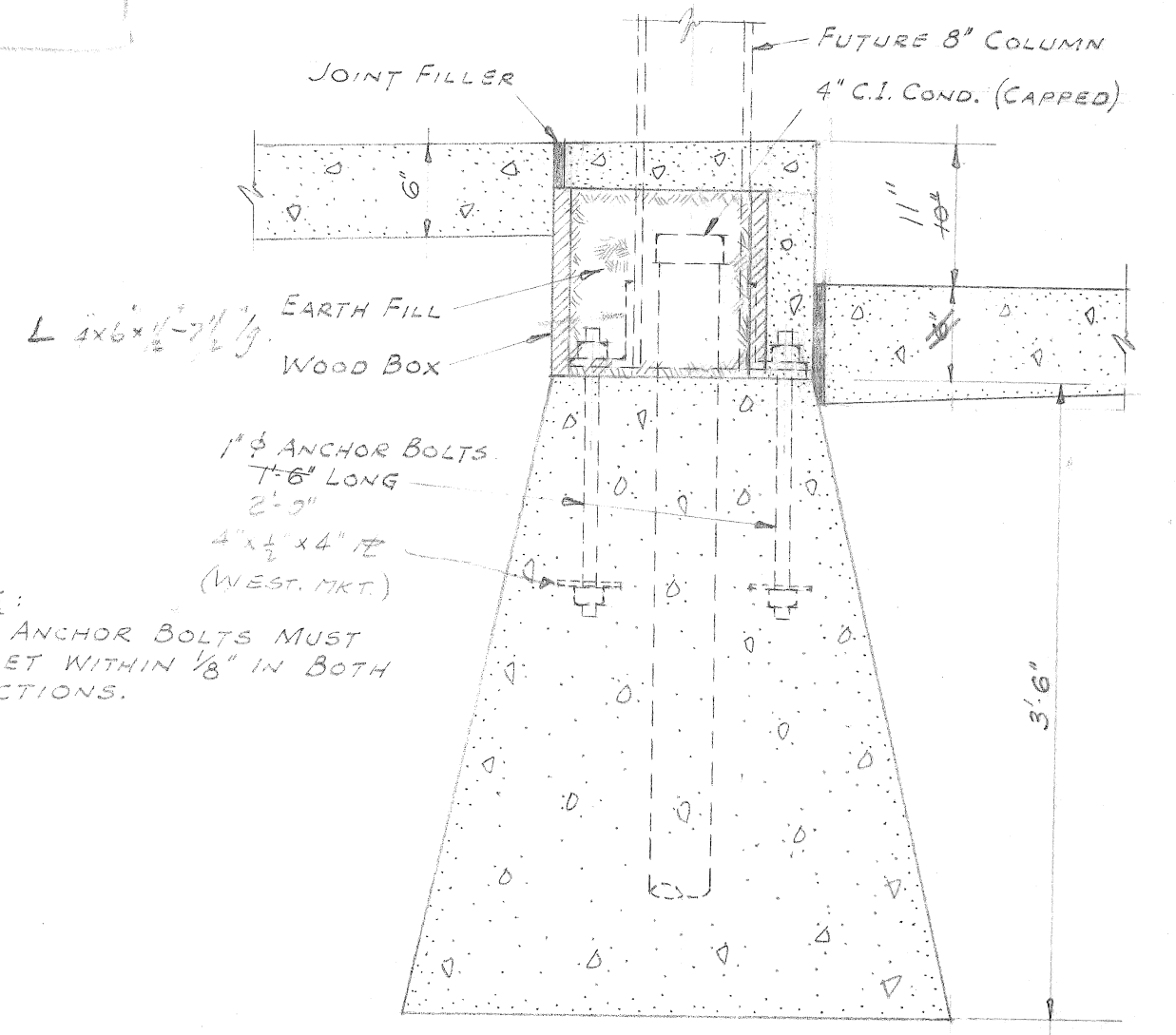
SECTION OF FUTURE BUILDING
SCALE 1/8\"/>



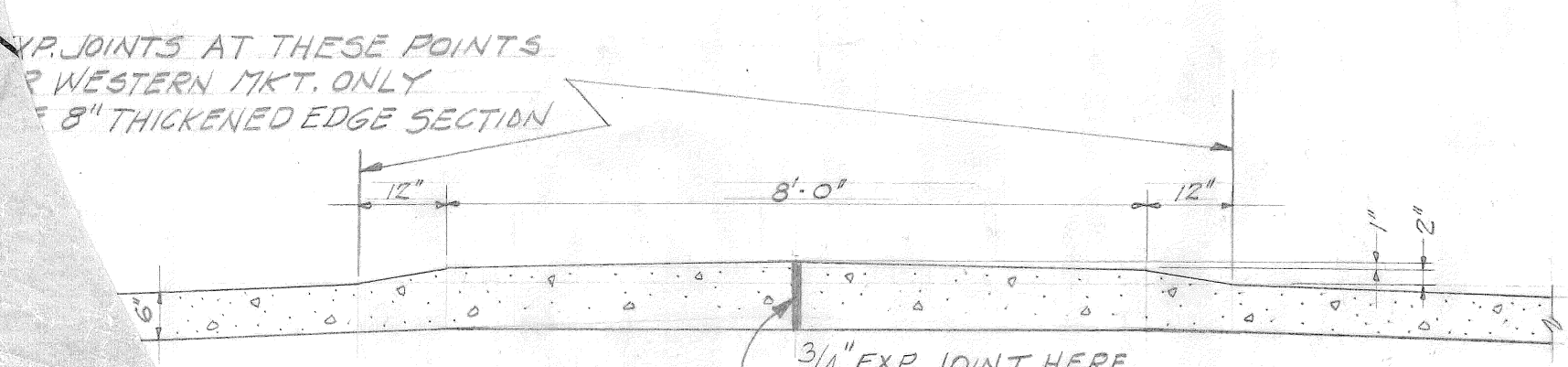
TRANSVERSE CONTRACTION JOINT
SCALE 1/2\"/>



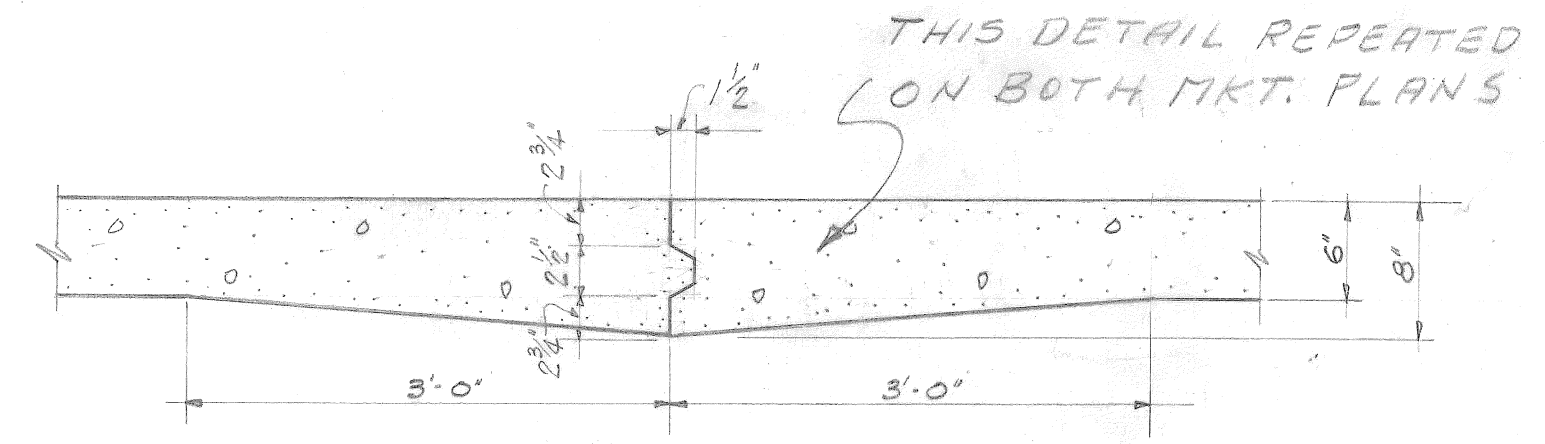
SECTION B-B
SCALE 1/2\"/>



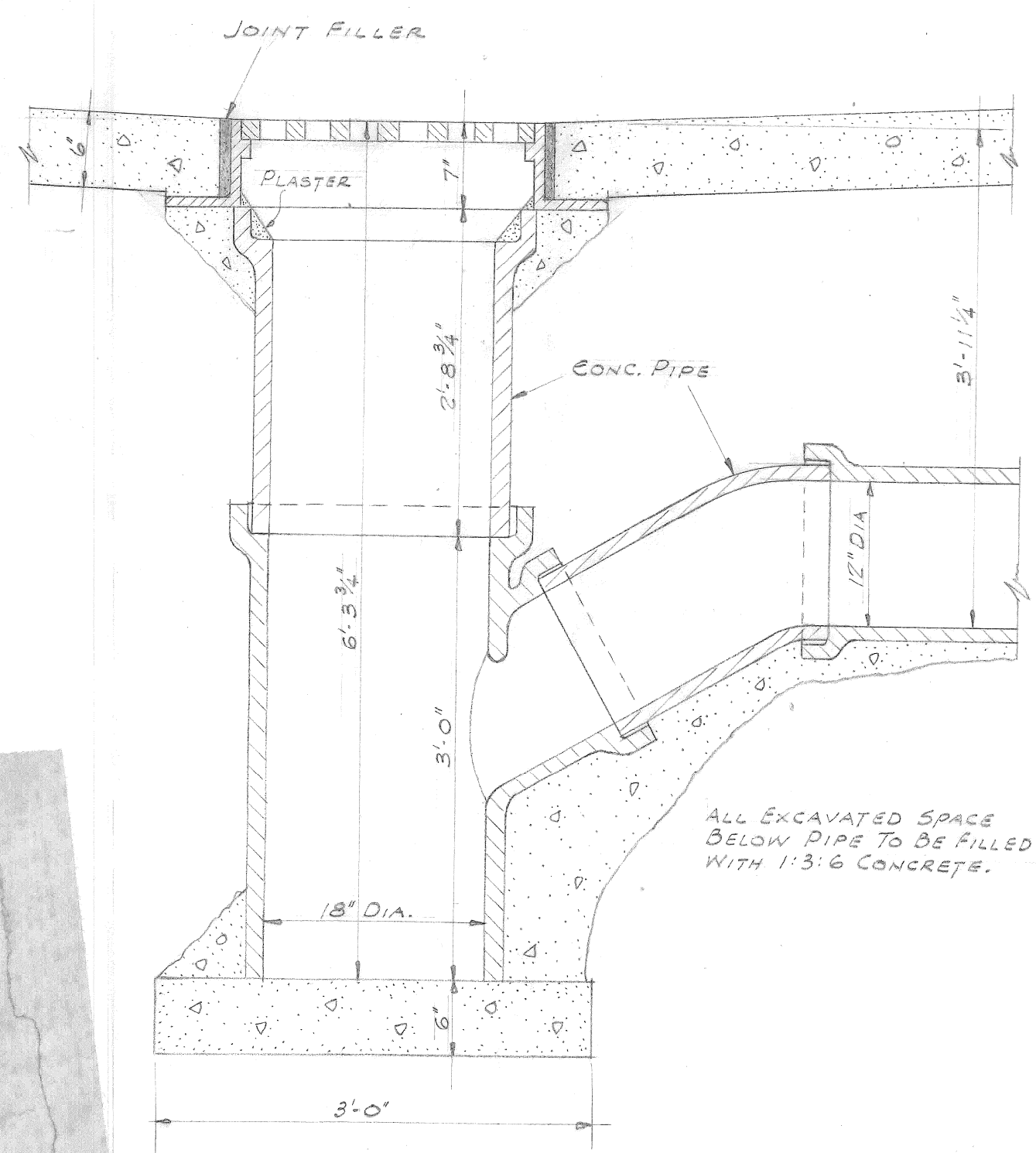
SECTION THRU FOOTINGS
SCALE 1\"/>



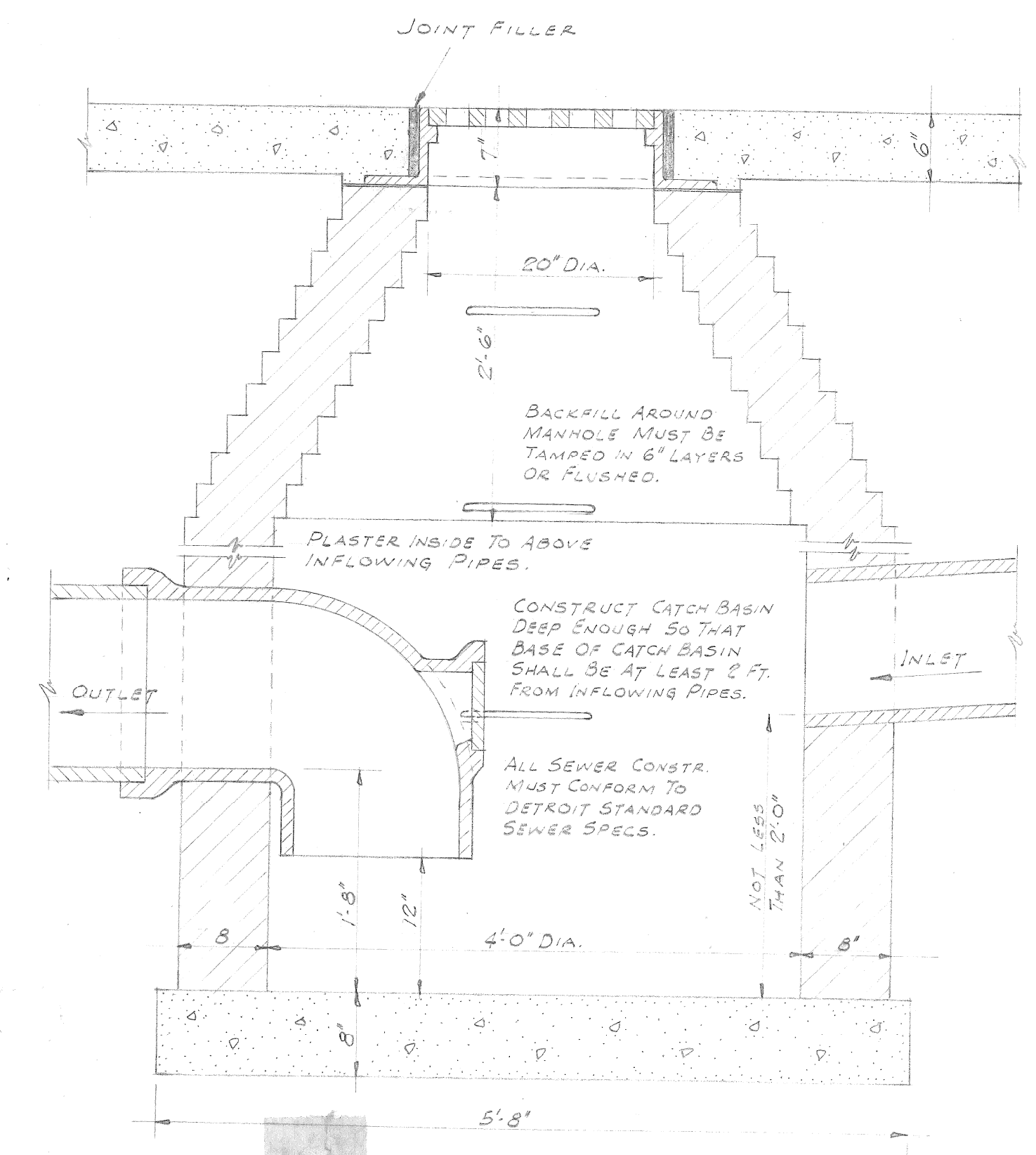
SECTION C-C
SCALE 1/2\"/>



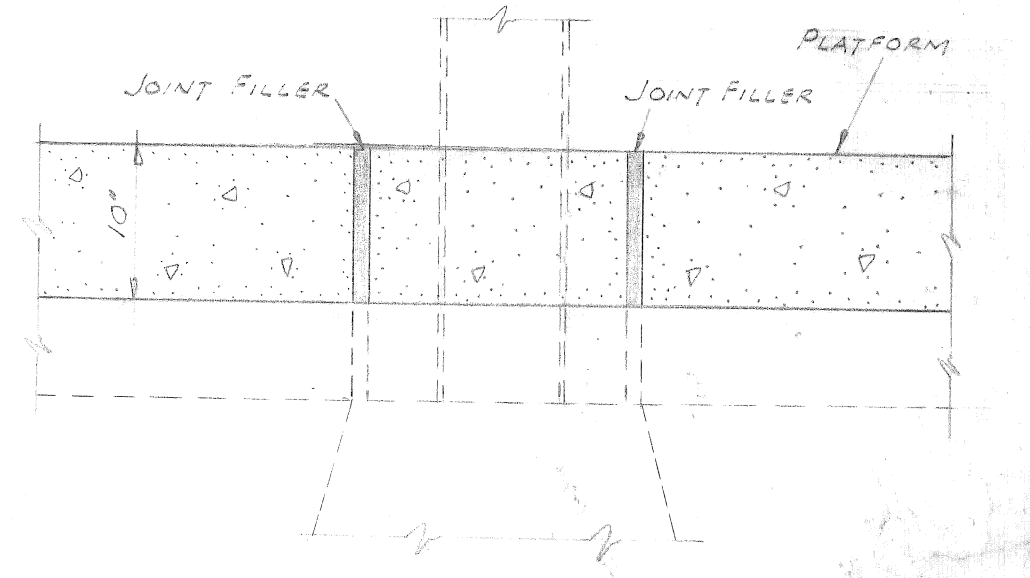
CONSTRUCTION JOINT
SCALE 1\"/>



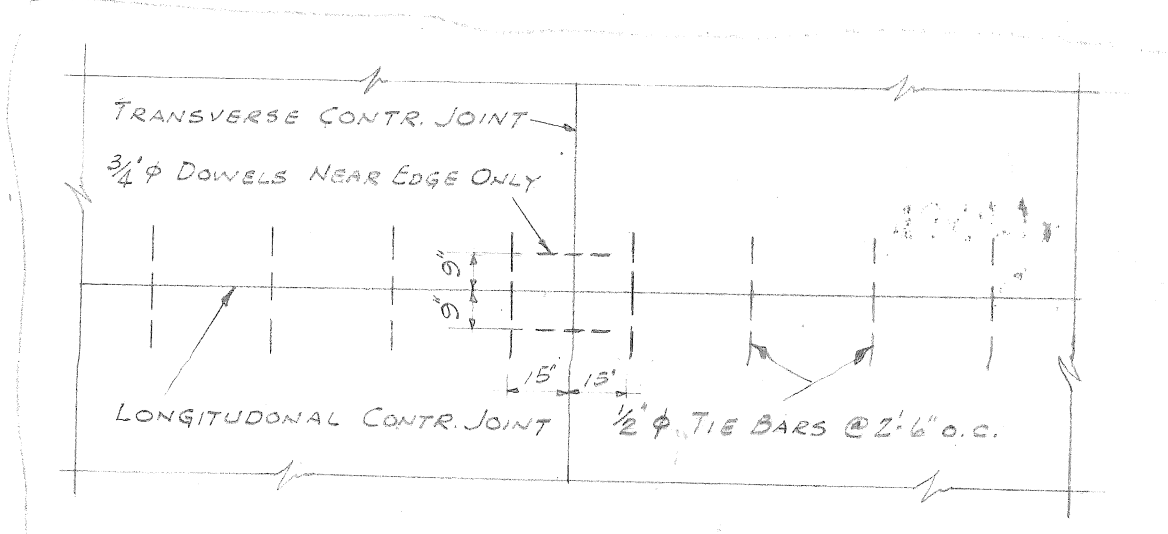
DETAIL OF DRAIN POOL
SCALE 1\"/>



DETAIL OF CATCH BASIN
SCALE 1\"/>



ELEVATION AT COLUMNS
SCALE 1\"/>



DETAIL AT CORNERS
VOID
SCALE 1\"/>

424927

DESIGNED BY	R. W. STEVENTON	APPROVED:	W. Wallace
DRAWN BY		ENGINEER OF STREETS	
TRACED BY		CITY ENGINEER	
CHECKED BY			
REFERENCE DRAWINGS			
DESCRIPTION	DRN CK'D APVD DATE		
REVISIONS			

PAVEMENT FOR EASTERN & WESTERN MARKETS
DRAINAGE - FOOTINGS AND PAVEMENT DETAILS

CITY OF DETROIT
DEPARTMENT OF PUBLIC W' RKS
CITY ENGINEERS OFFICE
BUREAU OF PUBLIC-STRUCTURES
STREETS

SHEET 7 OF 7 SHEETS
CONTRACT WPA
DRWG NO. C-104