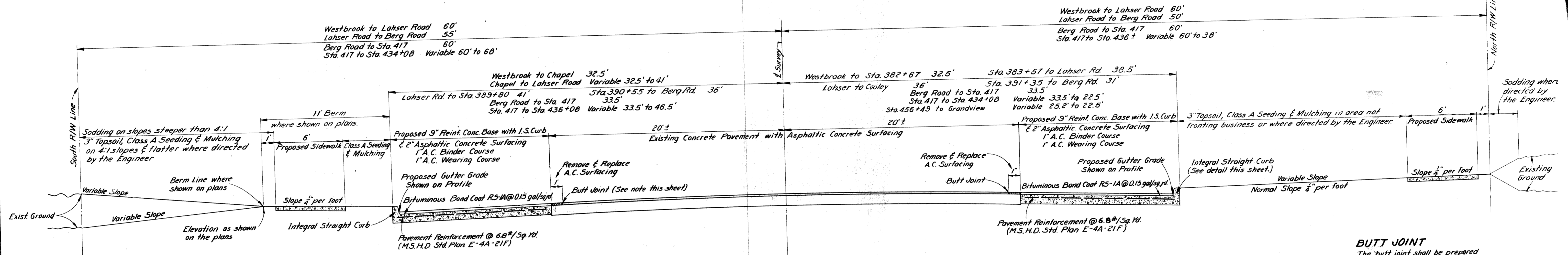
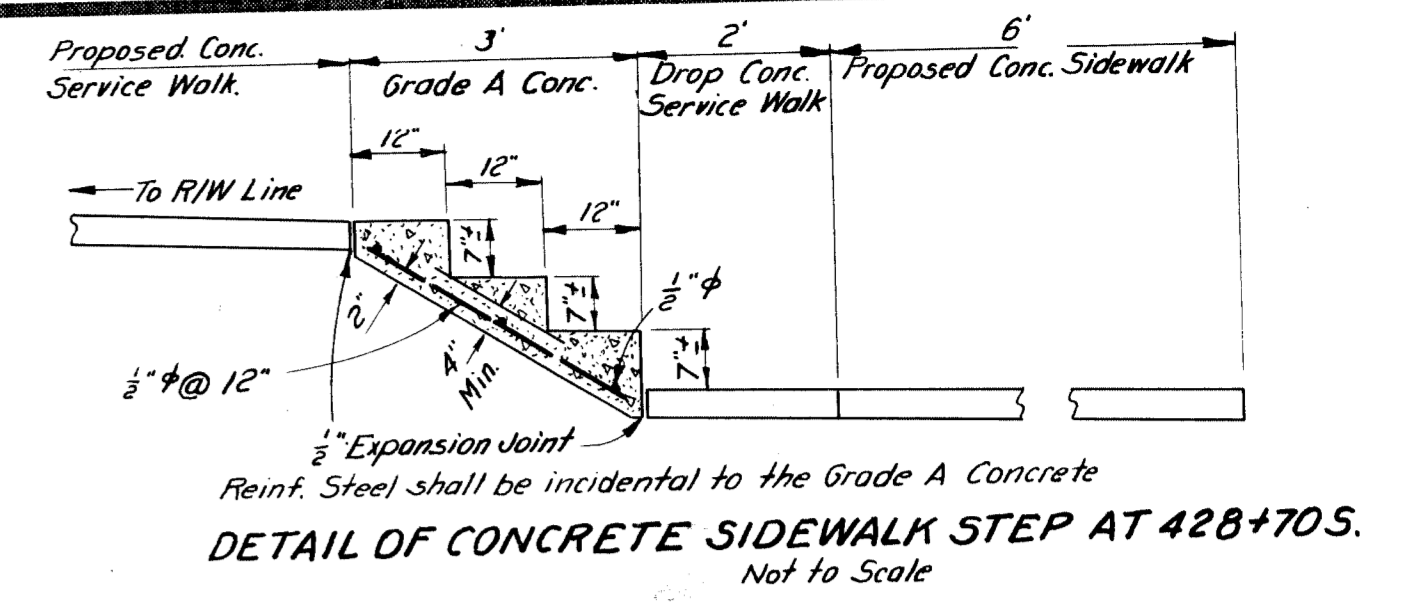
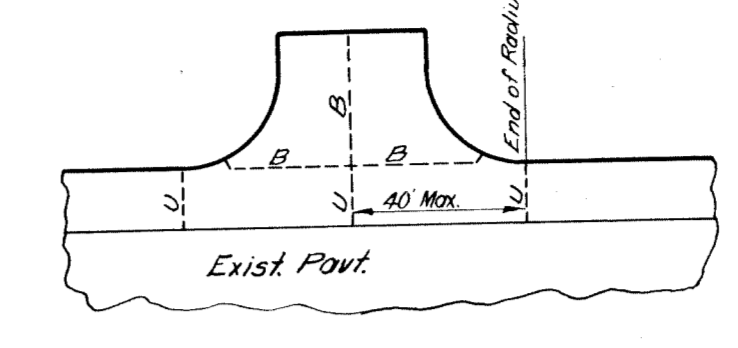
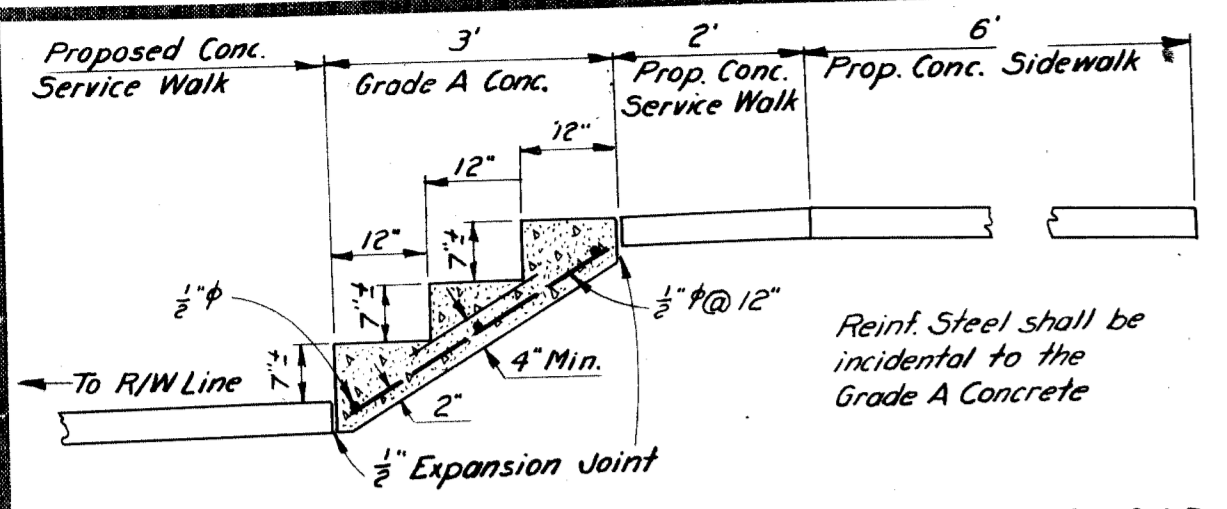


# SEVEN MILE ROAD WESTBROOK TO GRAND RIVER TYPICAL CROSS-SECTION

Scale: 1" = 4'



Where the base course width exceeds 16 feet, the Contractor may construct a lane at a time by providing a longitudinal bulkhead construction joint 12 feet from the existing pavement edge.

**BUTT JOINT**  
The butt joint shall be prepared by sawing through the total thickness of asphaltic concrete surfacing. This work shall be considered as incidental to "Removing Asphalt Surface".

**GENERAL NOTES**

The location of all Public Utilities shown on these plans is taken from the best available data. The Board of Wayne County Road Commissioners will not be responsible for any omissions or variations from the locations shown. Before starting construction, the Contractor shall check with the "Utilities" the location of existing structures whether or not indicated on the plans.

Any castings damaged by the Contractor in the course of work shall be replaced by the Contractor at his own expense.

Sewer taps to existing manholes and catch basins shall be considered as incidental to the work of sewer construction.

The edge of existing pavement shall be cleaned of earth or other foreign material with a wire broom.

All street return radii shall be 20 feet unless otherwise noted on plan.

All fences and posts inside proposed R/W are to be moved by owner before construction begins. Fences and posts remaining at the time of construction shall be removed by the Contractor and shall be considered as incidental to the work of earth excavation.

The removal of guard posts shall be considered as incidental to the work of earth excavation.

The removal of vertical tile catch basins and inlets where called for on the plans shall be considered as incidental to the drainage work.

Moving hydrants and adjusting to grade all Public Utility Structures except Water will be done by others.

All utility patches in existing pavement shall be removed and replaced with 9" plain concrete base course (base repair) and A.C. Surfacing.

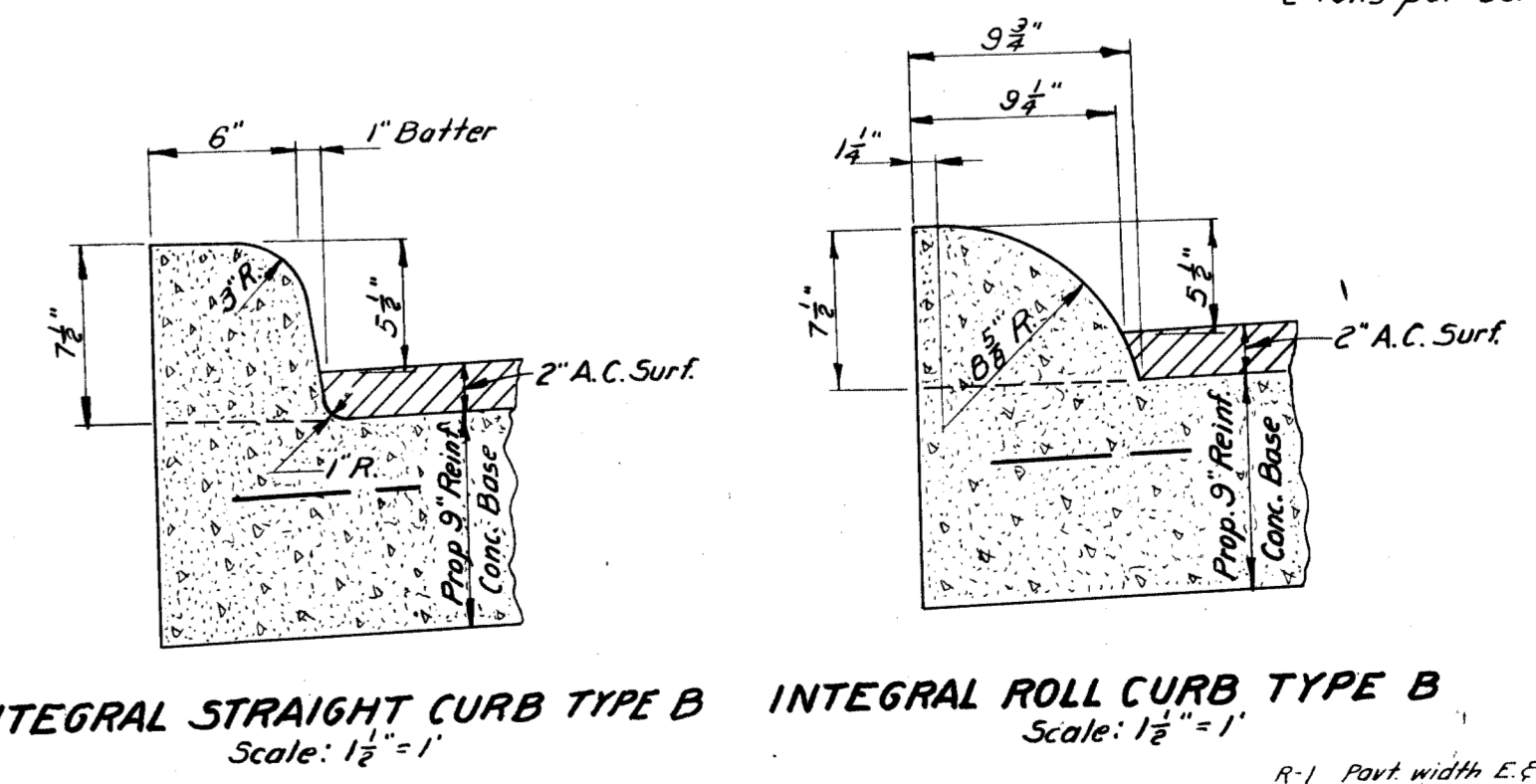
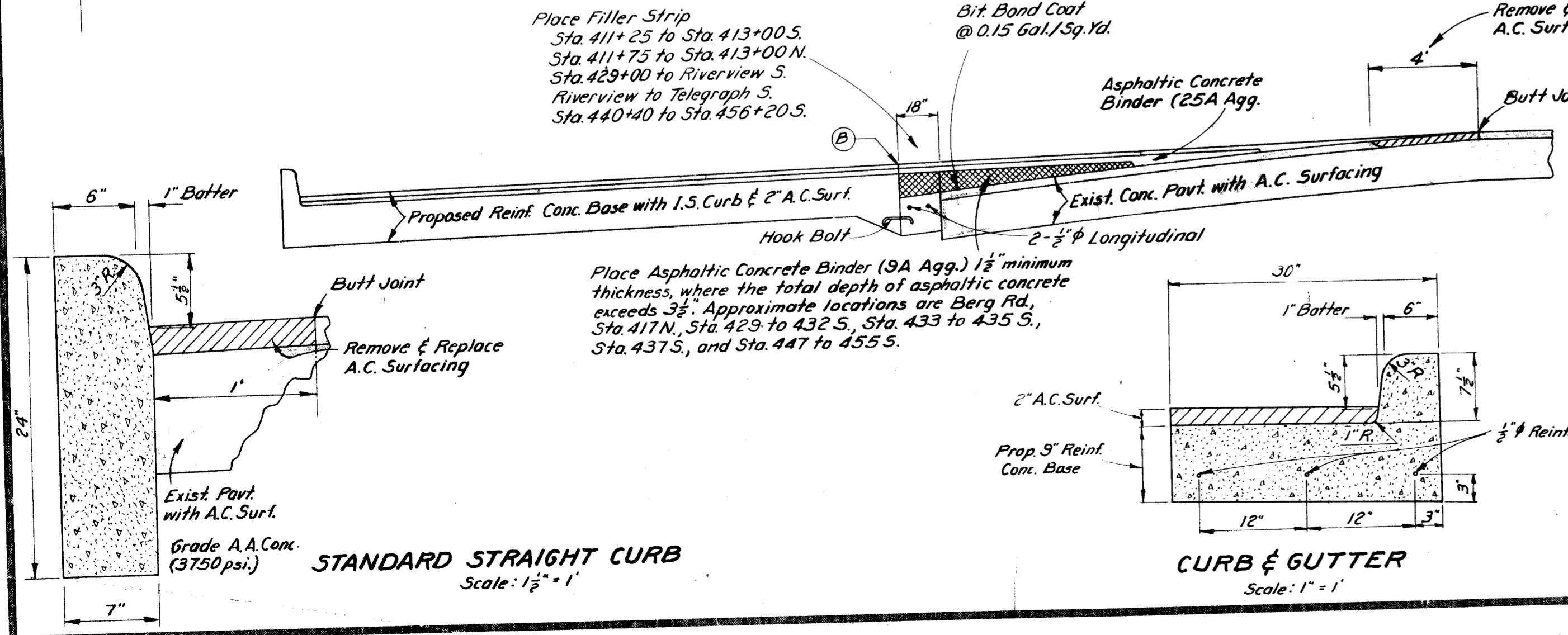
The Board of Wayne County Road Commissioners will furnish drainage structure castings F.O.B. the contractor's truck at the Board's Wyoming Yard located at 14380 Wyoming Ave.

All drop curbs at drives shall be 20' unless otherwise noted on plan.

Mulching on seeded area shall be applied at the rate of 2 tons per acre.

- JOINT LEGEND**
- B - M.S.H.D. Std. Plan E-4A-33F Det #2
  - L - M.S.H.D. Std. Plan E-4A-33F Det #3
  - U - Transverse Weakened Plane Joint for Concrete Base Course-WC.R.C. Std. Plan C-17-2A
  - E - M.S.H.D. Std. Plan E-4A-33F Det #7, without Load Transfer Device.
- Note: Unless otherwise shown on the Plans, transverse weakened plane joints shall be placed at 33' intervals.

**NOTE:**  
For widening 6 feet and less in width, 1/2" # Longitudinal Reinforcing Bars may be substituted for Standard Mesh Reinforcement provided the Longitudinal Bars are spaced not more than 12" center to center with the first bar not more than 3" from the widened slab. Bars shall be lapped a minimum of 18".



WC 60-C2

CORRECT *[Signature]* Reg. Prof. Eng.  
APPROVED *[Signature]* Reg. Prof. Eng.  
APPROVED *[Signature]* Reg. Prof. Eng.