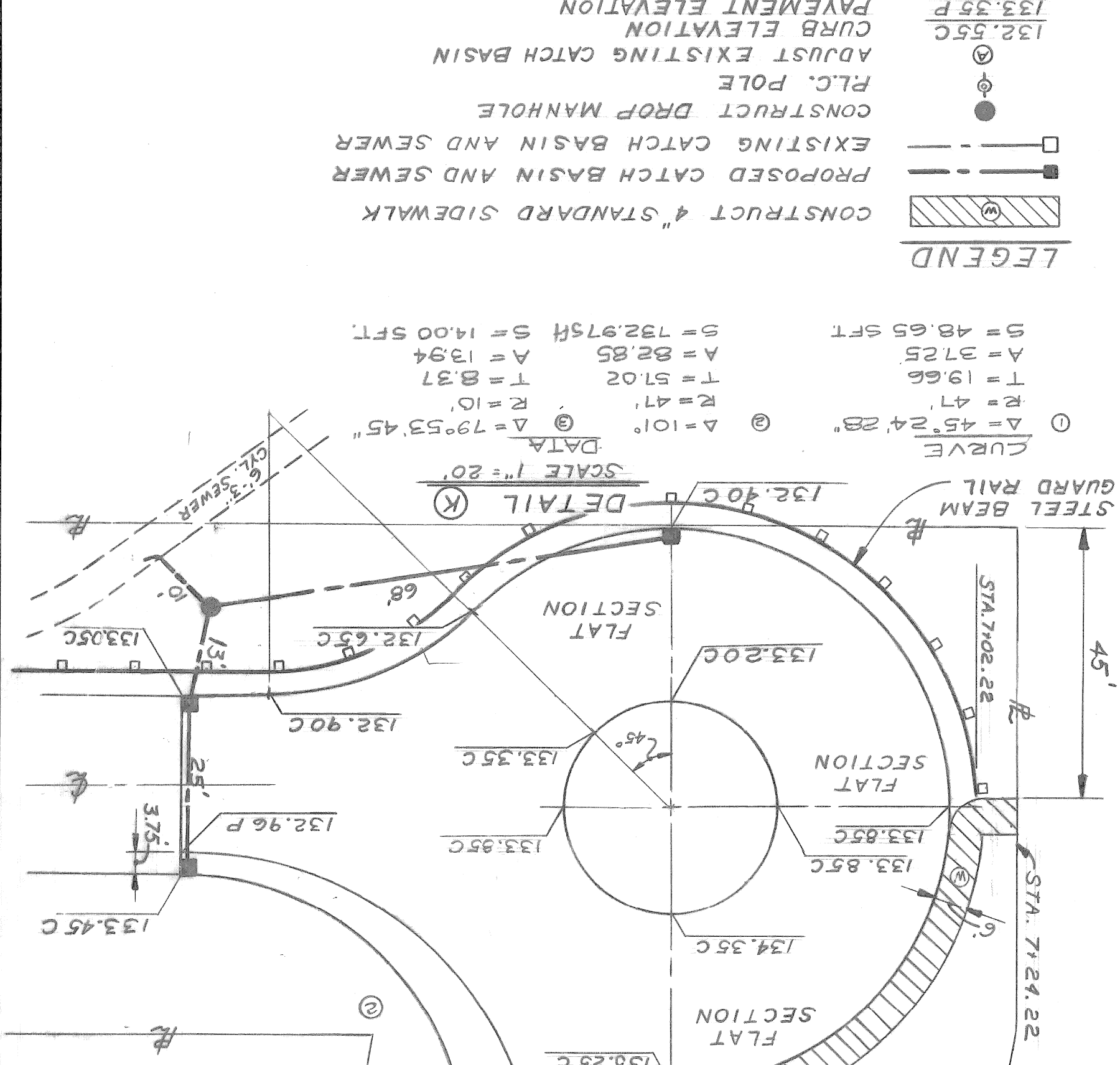
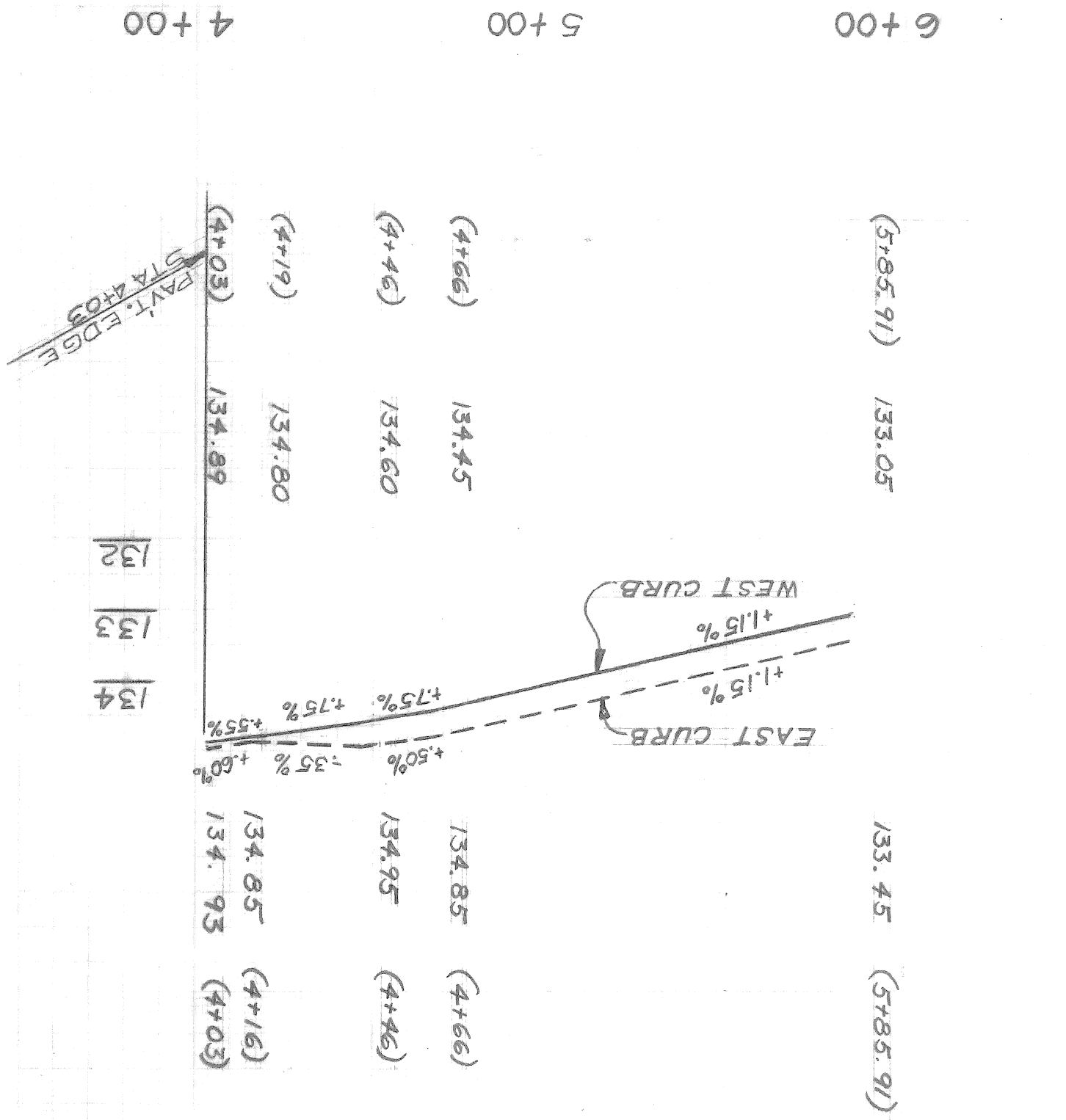
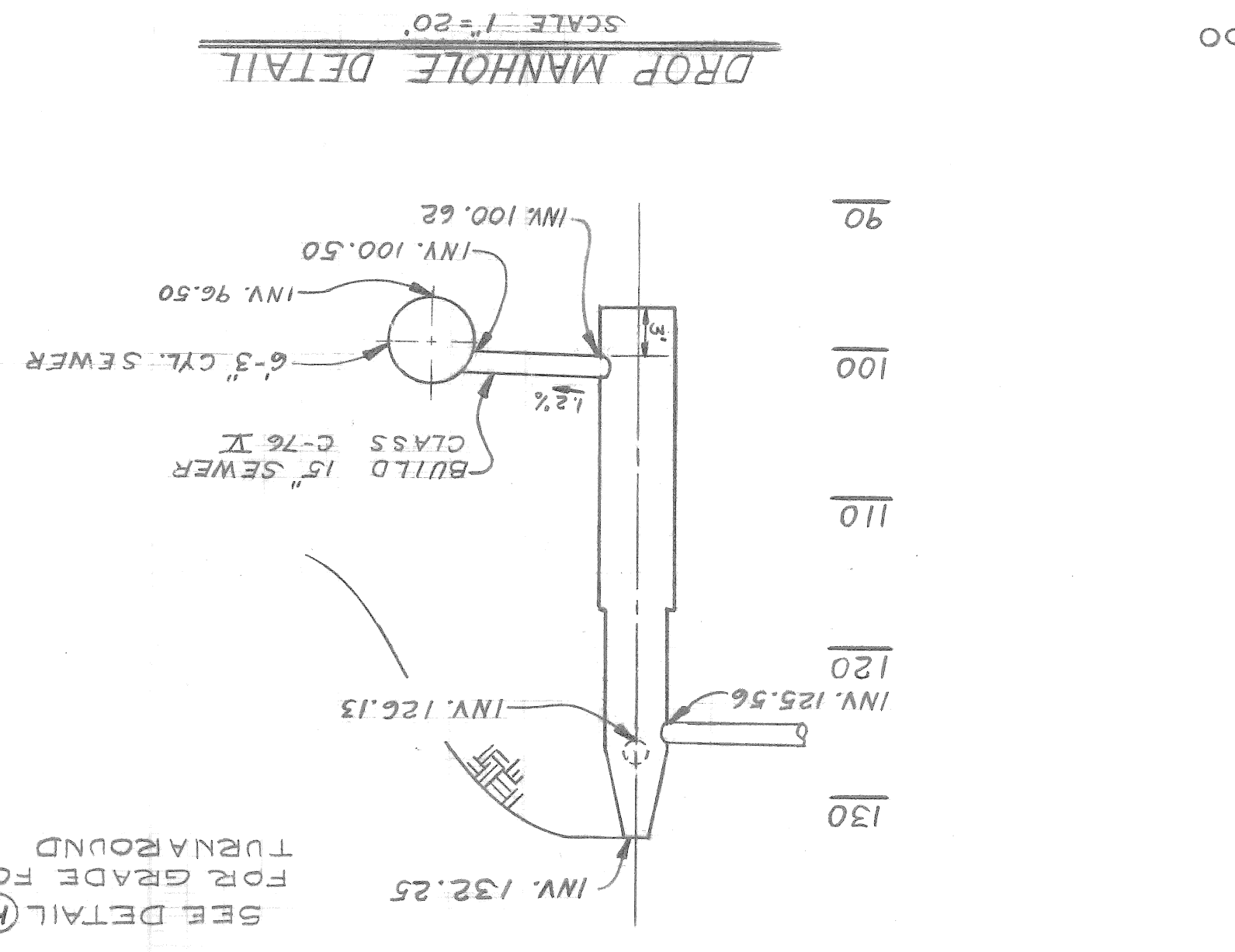
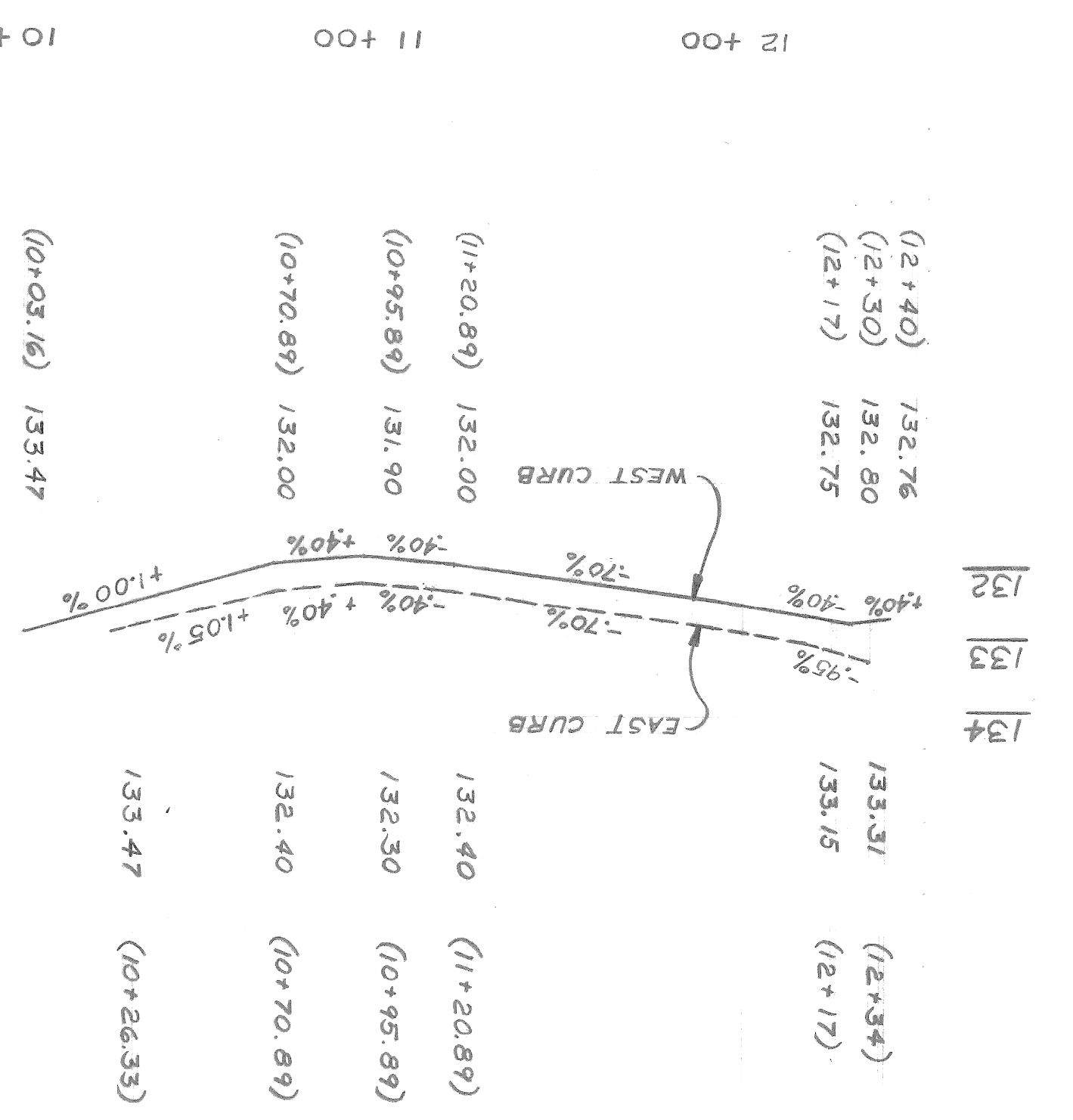


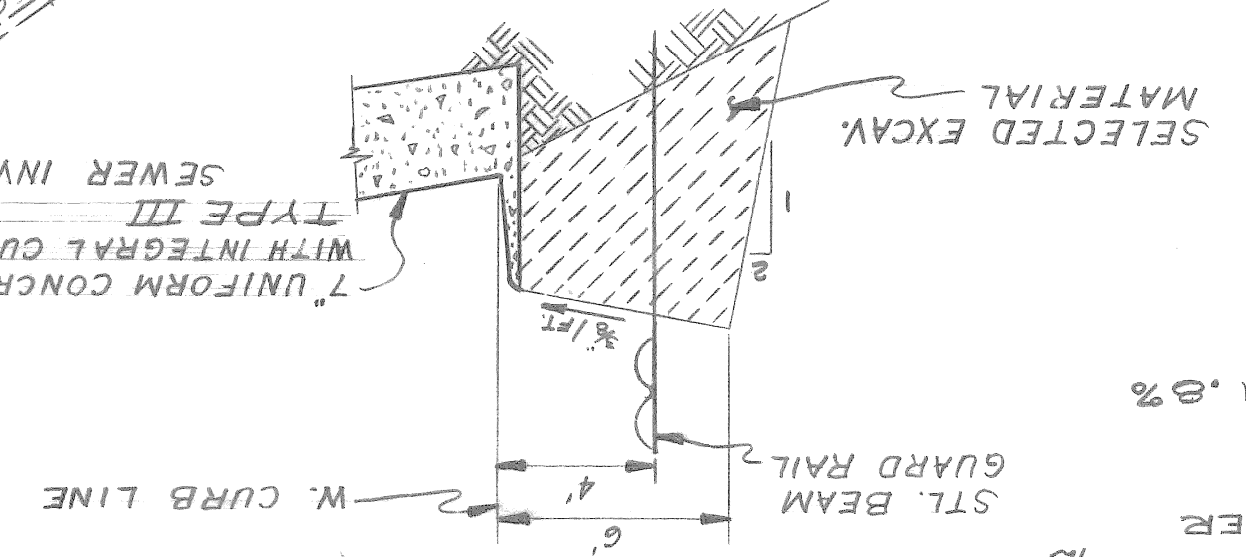
Sever Approved
[Signature]
 3/12/74

REVISIONS		DATE	BY	DESCRIPTION
RR	10/7/73			TURN-AROUND PAY, WIDTH, CHANGED TO 28'
RR	10/17/73			GRADES CHANGED @ STA. 10+03.16 & 10+26.33
RR	9/17/73			ADDED EXIST. WATER LINE, 4" GAS LINE
RR	9/7/73			PROP. 8" WATER AND D.E. CONDUIT
ESTIMATE				
PLAN				
BY	R. Roasik			
CHECKED BY				
APPROVED:	<i>[Signature]</i>			
ENGINEER OF STREETS				
ASSISTANT CITY ENGINEER				
CITY ENGINEER				

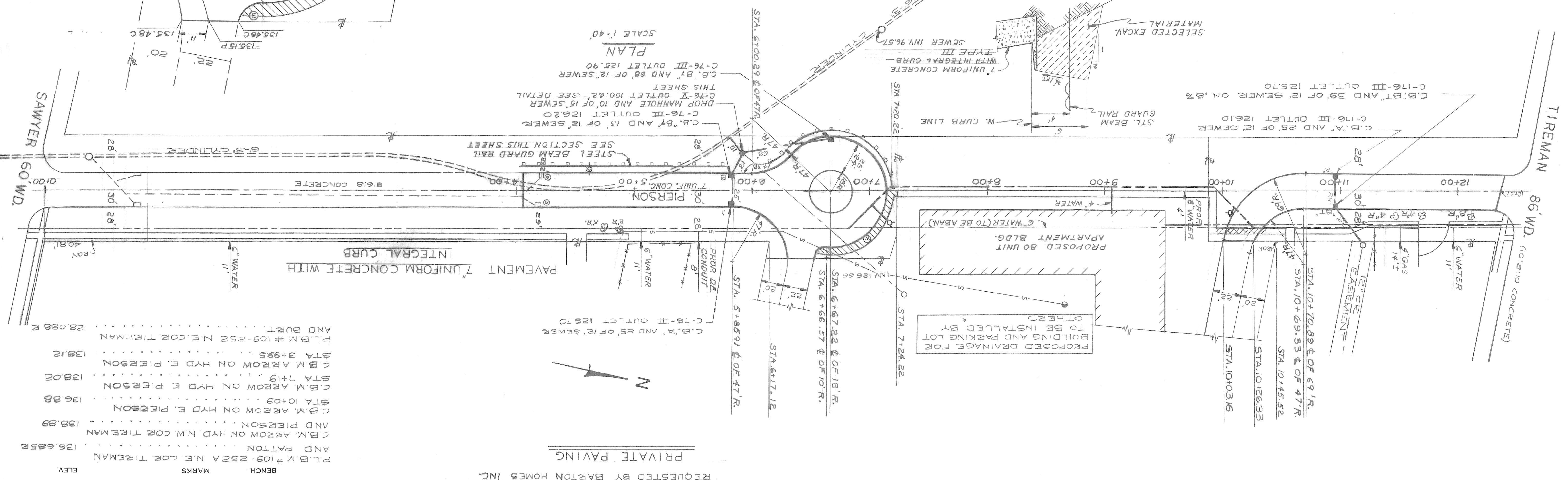
CITY OF DETROIT DEPARTMENT OF PUBLIC WORKS FOR CITY ENGINEER'S OFFICE		PIERSON	
PAVING OF PIERSON FROM 403' NORTH OF SAWYER AND TO 714' NORTH OF SAWYER		FROM 237' SOUTH OF TIREMAN TO TIREMAN	
SHEET NO. 78	CONTRACT NO. 109	DATE MARCH 7, 1974	INDEXED
OF 1 SHEETS	ASSIGNMENT NO. A.O. 2204		



TYPICAL SECTION OF STEEL BEAM GUARD RAIL @ STA. 4+03 TO STA. 7+20.22
 NO SCALE



PLAN SCALE 1"=40'



SCALE	HORIZONTAL 1"=40'	VERTICAL 1"=2'
BOOK	NO.	DATE
LEVEL	CONTRACT	CONSTRUCTION

NOTE - FOR SYMBOLS (A) ETC. SEE STANDARD DETAIL DRAWING NO. C-173
 MOST CHECK WITH UTILITIES FOR LOCATIONS OF EXISTING STRUCTURES WHETHER OR NOT INDICATED ON PLANS
 REQUESTED BY BARTON HOMES INC.
 PRIVATE PAVING
 BENCH MARKS
 ELEV. P.L.B.M. # 109-252A N.E. COR. TIREMAN AND PATTON 136.685R
 C.B.M. ARROW ON HYD. N.W. COR. TIREMAN AND PIERSON 138.89
 C.B.M. ARROW ON HYD. E. PIERSON STA. 10+09 136.88
 STA. 7+19 138.02
 C.B.M. ARROW ON HYD. E. PIERSON STA. 3+95.5 138.12
 P.L.B.M. # 109-252 N.E. COR. TIREMAN AND BURT 128.088R