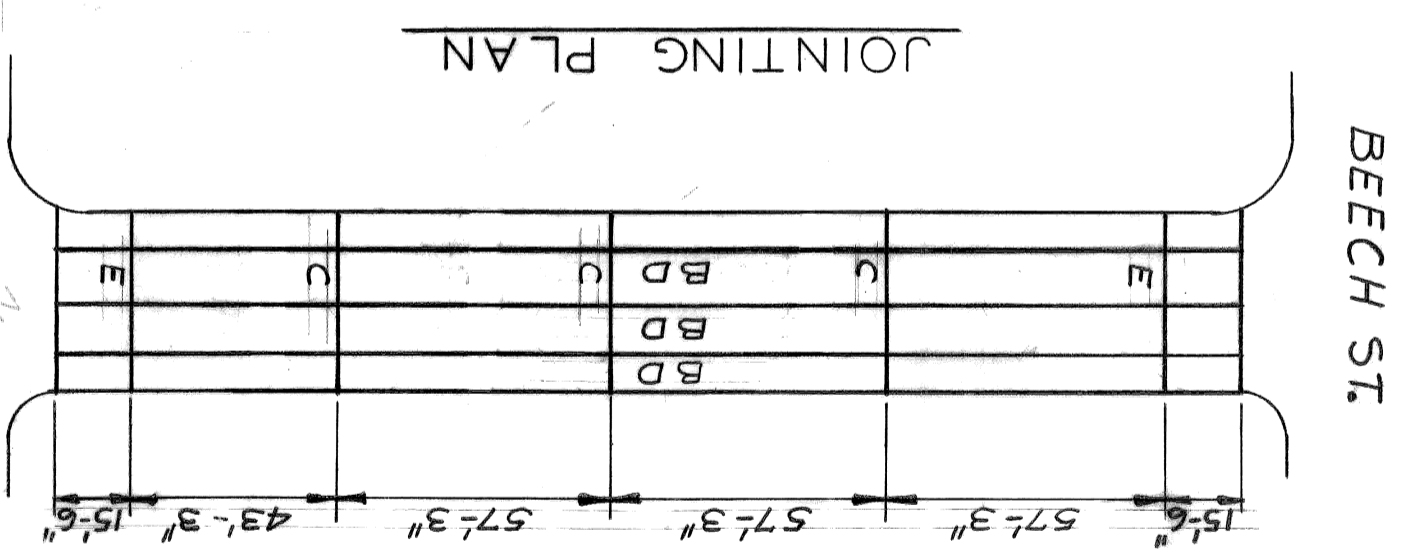


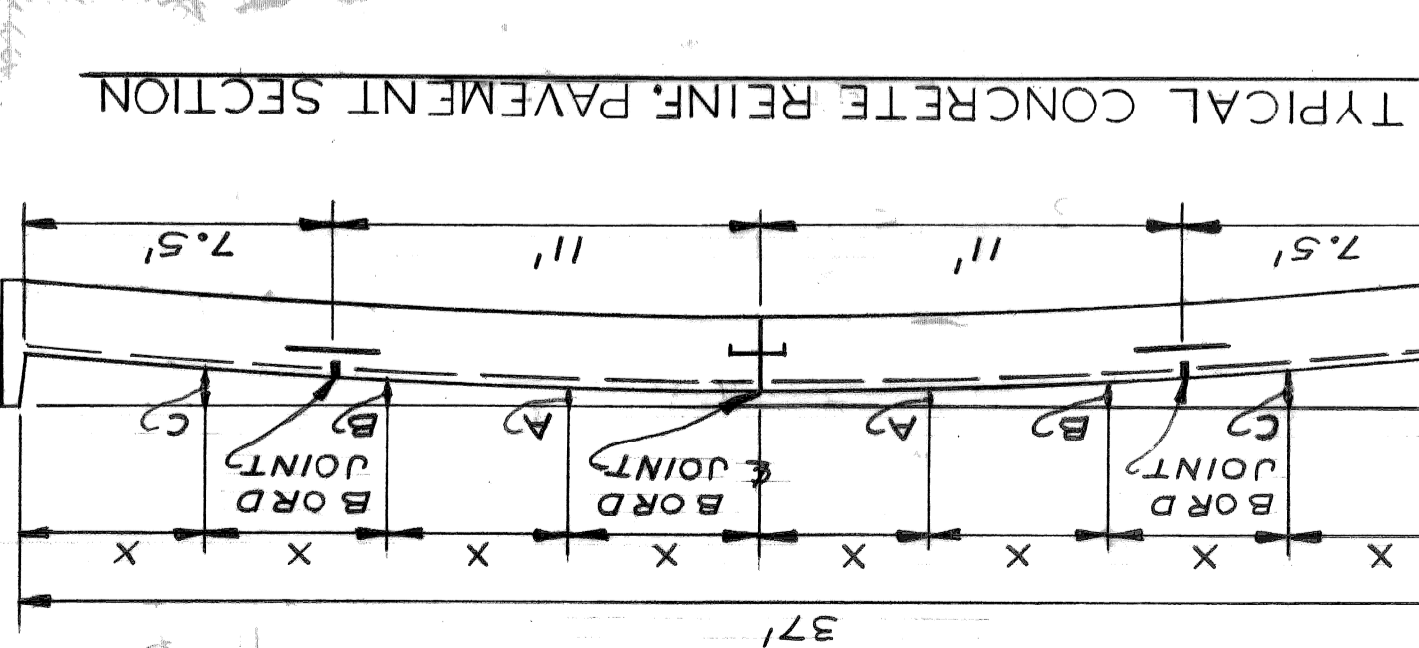
NOTE:  
CURB ON EAST SIDE OF SECOND AVE.  
IS SET TO MEET EXISTING SIDEWALK  
CROSS SLOPES.

- JOINING LEGEND
- E 1" TRANSVERSE EXPANSION JOINT WITH LOAD TRANSFER DEVICE.
  - C TRANSVERSE CONTRACTION JOINT.
  - D LONGITUDINAL LANE TIE JOINT.
  - B LONGITUDINAL BULKHEAD CONSTRUCTION JOINT.
  - BD OPTIONAL B OR D JOINT.
- FOR DETAILS OF JOINT CONSTRUCTION SEE STD. DETAIL DW'G. C-4943.



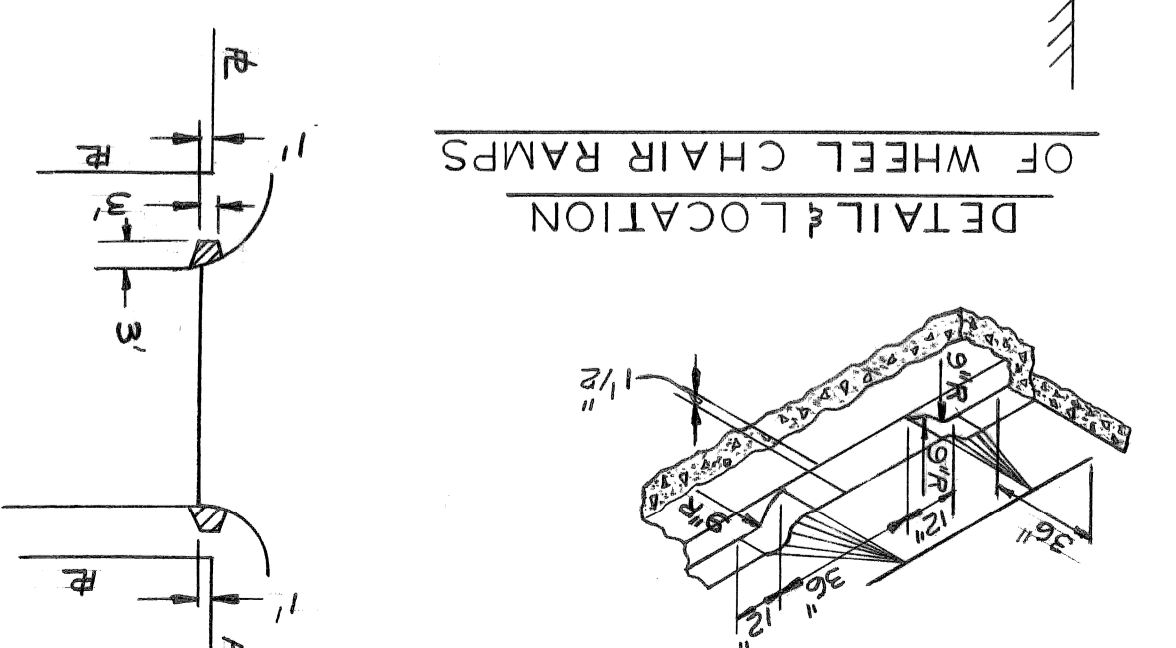
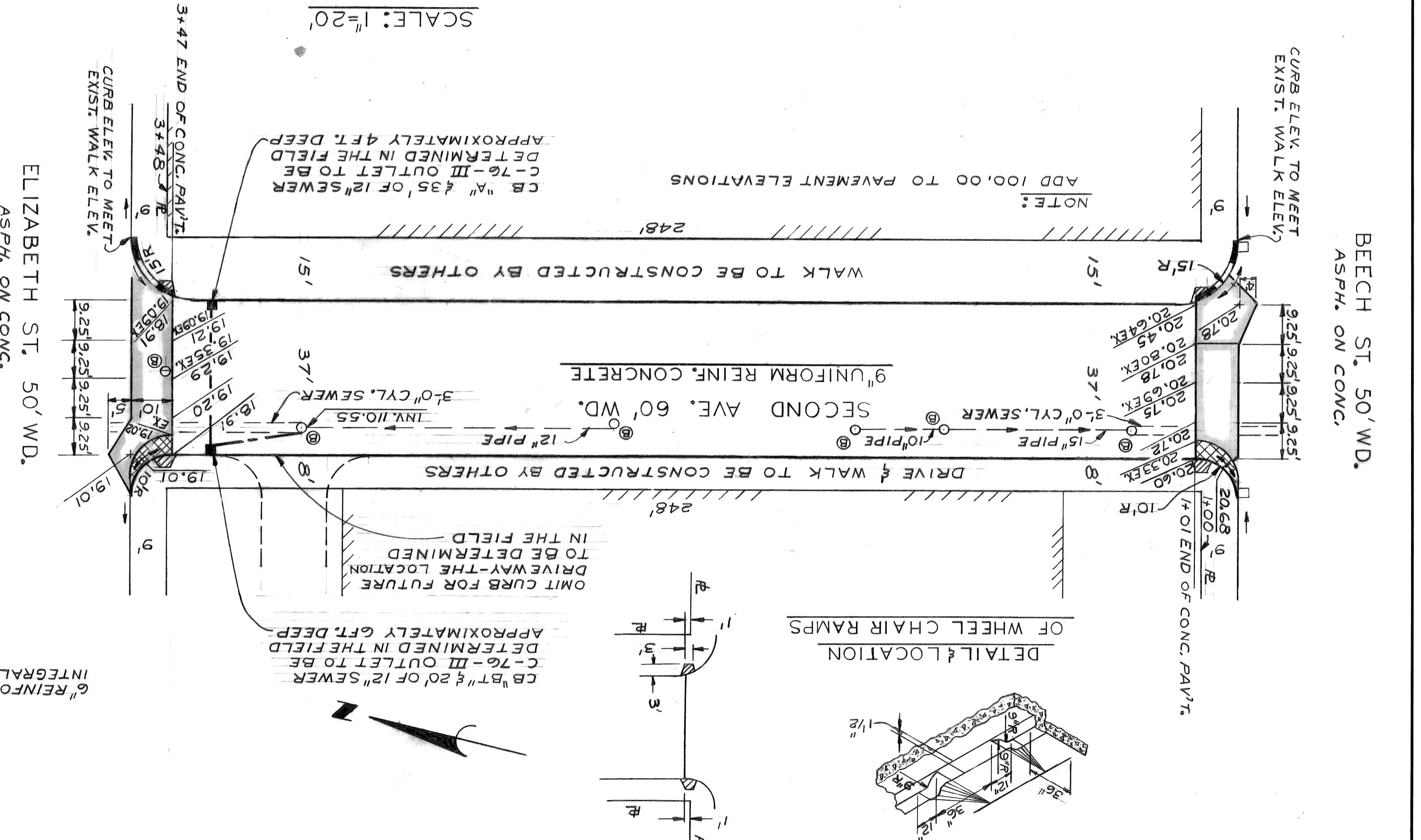
ELEMENTS OF ROADWAY SECTION

X	CURB	C	B	A	λ	LANE WIDTH
4'-7 1/2"	6"	57'-3"	57'-3"	57'-3"	57'-3"	11' 7 1/2"
		4"	2 1/2"	15/8"	13/8"	11' 11" 7/2"
						11' 2"
						11' 3"
						11' 7 1/2"



- CONSTRUCTION LEGEND
- 2" BITUMINOUS CONCRETE SURFACE (31A) ON 9" CONCRETE BASE
  - STRIP AND/OR ADJUST EXISTING ASPHALT SURFACE
  - CONSTRUCT SEPARATE CURB TYPE II MODIFIED
  - WHEEL CHAIR RAMP - SEE DETAIL THIS SHEET
  - ADJUST EXISTING MANHOLE

- HORIZONTAL CONTROL
- CROSSES CUT IN WALK & FT. W/E PROPERTY LINE AT N.E. CORNER OF BEECH AND S.E. CORNER OF ELIZABETH.
- MARKS  
ELEV.
- P.B.M. \* 29-253 22' NORTH & ELIZABETH & 3' WEST & FIFTH 120.782R
  - C.B.M. ARROW ON HYDRANT S.W. CORNER 122.40
  - SECOND & ELIZABETH 122.40
  - C.B.M. SOUTH CORNER TOP OF BOTTOM STEP 120.93
  - ENTRANCE TO EDISON OFFICE 120.93
  - C.B.M. ARROW ON HYDRANT N.W. CORNER 124.34
  - BEECH & SECOND 124.34
  - P.B.M. \* 29-253A N.E. CORNER ELIZABETH & THIRD 118.248R



BEECH ST. 50' WD.  
ASPH. ON CONC.