

NOTES:

- DEFINES DEMOLITION WORK
- DEFINES NEW CONSTRUCTION
- SEE SHT. PG. 1 FOR LISTING OF RENOVATION WORK
- DEFINES EXIST. CONSTRUCTION

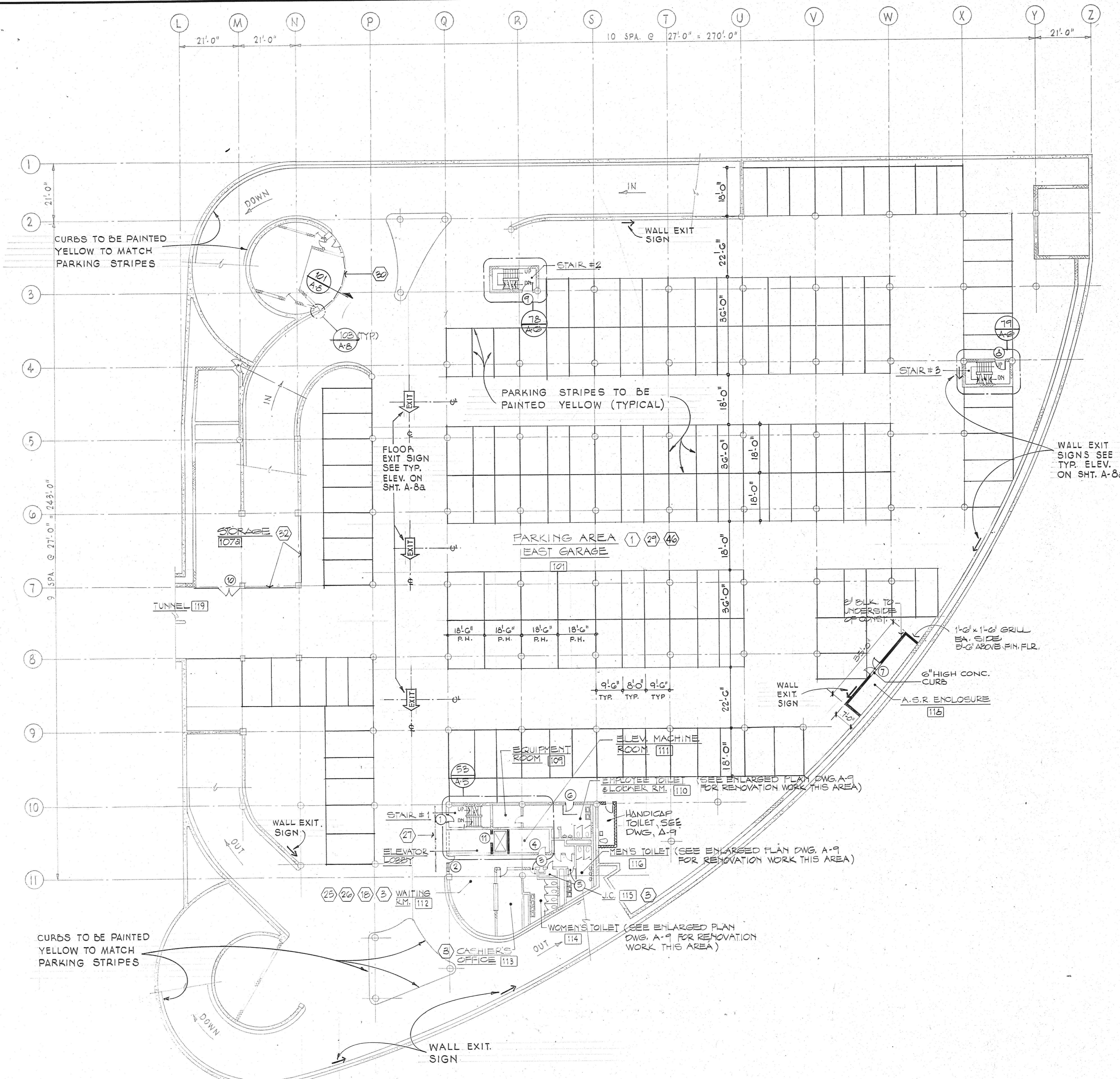
ALL WORK ON THIS DRAWING IS IN PHASE II EXCEPT ITEM NO. 29

| | | | | |
|----------------------------------|--------------|------|---------|----------|
| 8-26-81 GEN. CONTR. BULL. 2 | | Date | By | Bulletin |
| 7-80 REBID ISSUE | | | | |
| 1-2-80 BID ISSUE | | | | |
| 4-20-79 GEN. CONTR. BIDS. SPECS. | | | | |
| 3-23-79 OWNERS APPROVAL | | | | |
| Issue for | Issue for | Date | By | Revision |
| | | | | |
| Project Director: FF WIDRIS | | Seal | | |
| Project Architect: S.G. FARKAS | | | | |
| Designed by: S.G. FARKAS | | | | |
| Drawn by: MJ/REC | | | | |
| Checked by: J. PESAVENDO | | | | |
| Approved by: <i>[Signature]</i> | | | | |
| Scale | 1/2" = 1'-0" | Date | 4-30-79 | |

Giffels Associates, Inc.
 Architects Engineers Planners
 25200 Telegraph Road
 P. O. Box 5025
 Southfield, Michigan 48037

Project Title
**CITY OF DETROIT
 GRAND CIRCUS PARK
 GARAGE RENOVATION**

| | | | |
|----------------------------------|---------------|-------------|--|
| Sheet Title | | Project No. | |
| FIRST SUB-FLOOR (EAST GARAGE) | | 78213 | |
| North Symbol | Detail Symbol | Sheet No. | |
| | | A-2 | |



NOTES:
 --- DEFINES DEMOLITION WORK
 ——— DEFINES NEW CONSTRUCTION
 ○ SEE SHT. PG. 1 FOR LISTING OF RENOVATION WORK
 ——— DEFINES EXIST. CONSTRUCTION

TOTAL PARKING SPACES
 FIRST SUB FLOOR = 152 SPACES
 INCLUDES 8 HANDICAPPED

TOTAL PARKING SPACES
 EAST GARAGE
 FIRST SUB FLOOR = 149
 SECOND SUB FLOOR = 207
 THIRD SUB FLOOR = 204
 TOTAL = 560 (INCL. 8 HANDICAPPED)

ALL WORK ON THIS DRAWING IS IN PHASE II EXCEPT ITEM N° 29

| Date | Issue for | Revision |
|---------|-------------------------|----------|
| 4-21-82 | GEN. CONTR. BULL. 12 | |
| 8-26-81 | GEN. CONTR. BULL. 2 | |
| 7-80 | REBID ISSUE | |
| 1-2-80 | BID ISSUE | |
| 4-20-79 | GEN. CONTR. BIDS-SPECS. | |
| 3-25-79 | OWNERS APPROVAL | |

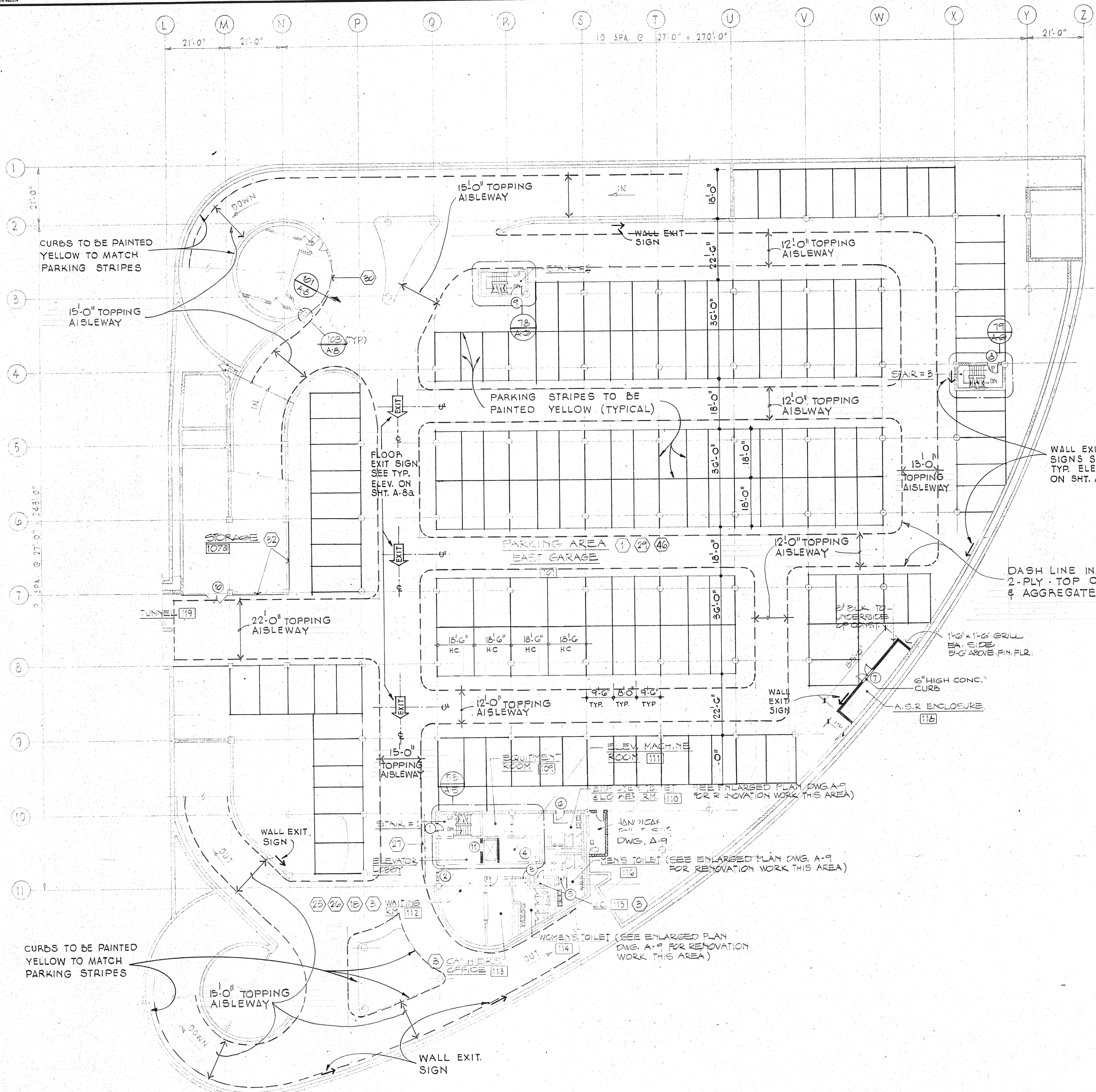
| | | |
|-------------------|--------------------|--------------|
| Project Director | FF WIDRIS | Seal |
| Project Architect | SB FARRAS | |
| Designed by | SB FARRAS | |
| Drawn by | MJ/REC | |
| Checked by | J.F. SALVENDY | |
| Approved by | <i>[Signature]</i> | |
| Scale | 1/2" = 1'-0" | Date 4-30-79 |

Giffels Associates, Inc.
 Architects Engineers Planners
 25200 Telegraph Road
 P. O. Box 5025
 Southfield, Michigan 48037

Project Title
 CITY OF DETROIT
 GRAND CIRCUS PARK
 GARAGE RENOVATION

Sheet Title
 FIRST SUB-FLOOR
 (EAST GARAGE)

North Symbol
 Detail Symbol
 Project No. 78218
 Sheet No. A-2a



CURBS TO BE PAINTED YELLOW TO MATCH PARKING STRIPES

15'-0" TOPPING AISLEWAY

15'-0" TOPPING AISLEWAY

12'-0" TOPPING AISLEWAY

PARKING STRIPES TO BE PAINTED YELLOW (TYPICAL)

12'-0" TOPPING AISLEWAY

WALL EXIT SIGNS SEE TYP. ELEV. ON SHT. A-8a

DASH LINE INDICATES 2-PLY TOP COAT & AGGREGATE (TYP)

STORAGE 107a

PARKING AREA EAST GARAGE

1'-0" x 1'-0" GRILL EA. SIDE 3'-0" ABOVE FIN. FLR.

6" HIGH CONC. CURB

A.S.R. ENCLOSURE 112

TUNNEL 119

22'-0" TOPPING AISLEWAY

12'-0" TOPPING AISLEWAY

12'-0" TOPPING AISLEWAY

FLOOR EXIT SIGN SEE TYP. ELEV. ON SHT. A-8a

WALL EXIT SIGN

WALL EXIT SIGN

WALL EXIT SIGN

CURBS TO BE PAINTED YELLOW TO MATCH PARKING STRIPES

15'-0" TOPPING AISLEWAY

WALL EXIT SIGN

NOTES:

- DEFINES DEMOLITION WORK
- DEFINES NEW CONSTRUCTION
- SEE SHT. A-9 FOR LISTING OF RENOVATION WORK
- DEFINES EXIST. CONSTRUCTION

TOTAL PARKING SPACES
 FIRST SUB FLOOR = 149 SPACES
 INCLUDES 8 HANDICAPPED

ALL WORK ON THIS DRAWING IS IN PHASE II EXCEPT ITEM NO. 29

4-21-82 GEN. CONTR. BULL. #12
 8-26-81 GEN. CONTR. BULL. #2
 7-80 REBID ISSUE
 1-2-80 BID ISSUE
 4-26-79 GEN. CONTR. BIDS-SPECS.
 5-23-79 OWNERS APPROVAL

| Issue Date | Issue For | Revision |
|------------|---------------------------------|---------------|
| | Project Director: E.F. WIDRIG | Seal |
| | Project Architect: S.G. FARKAS | |
| | Designed by: S.G. FARKAS | |
| | Drawn by: M.J. REC | |
| | Checked by: J. PESAVEND | |
| | Approved by: <i>[Signature]</i> | |
| | Scale: 1/2" = 1'-0" | Date: 4-30-79 |

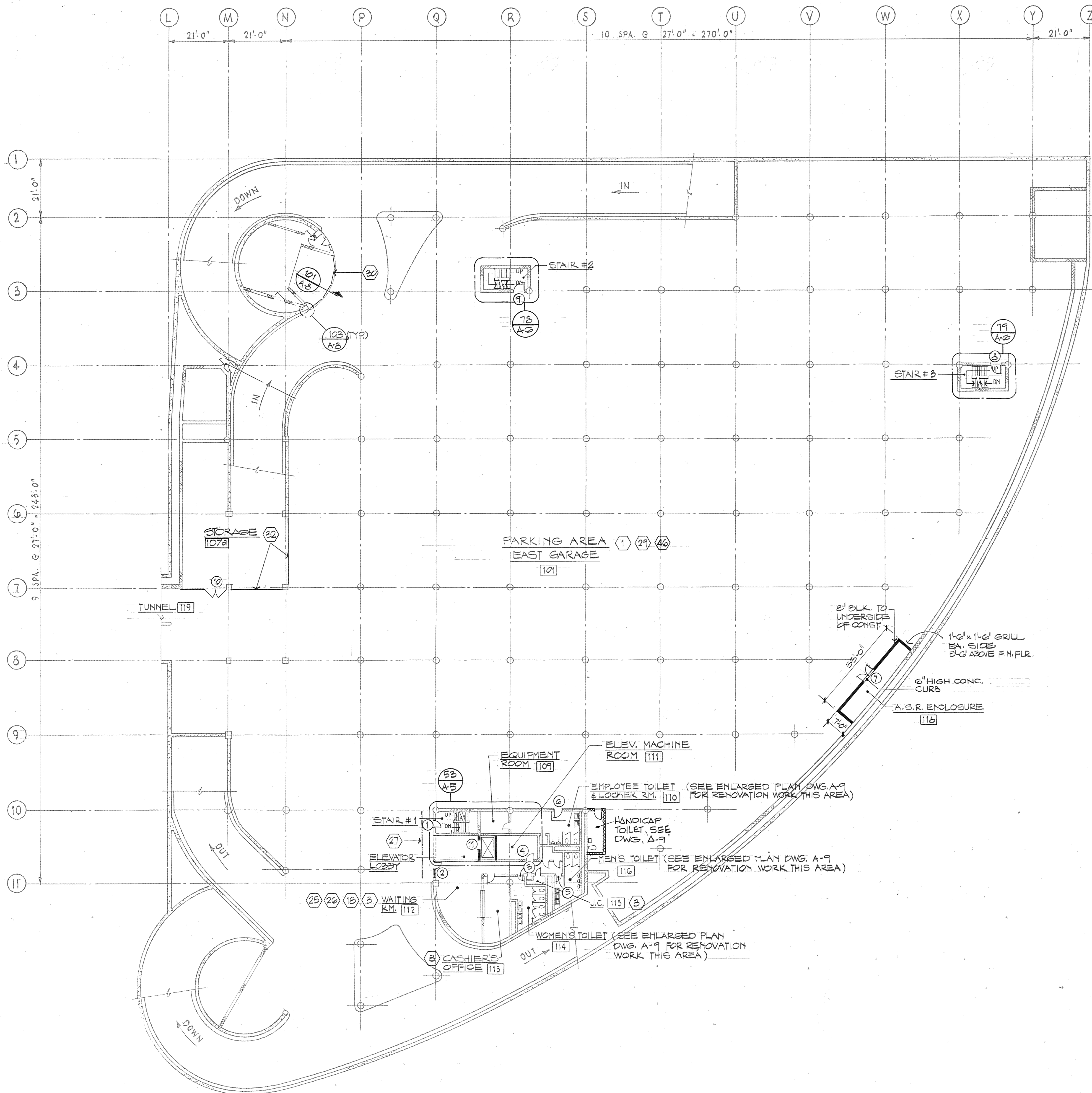
Giffels Associates, Inc.
 Architects Engineers Planners
 25200 Telegraph Road
 P. O. Box 5025
 Southfield, Michigan 48037

Project Title
 CITY OF DETROIT
 GRAND CIRCUS PARK
 GARAGE RENOVATION

Sheet Title
 FIRST SUB-FLOOR
 (EAST GARAGE)

| North Symbol | Detail Symbol | Project No. |
|--------------|---------------|----------------|
| | | 7821B |
| | | Sheet No. A-26 |

MAR 30 1982 2 02



NOTES:

- DEFINES DEMOLITION WORK
- DEFINES NEW CONSTRUCTION
- SEE SHT. DS-1 FOR LISTING OF RENOVATION WORK
- DEFINES EXIST. CONSTRUCTION

| | | | | |
|------------|--------------------------|--|------|----------|
| 8-26-81 | GEN. CONTR. BULL. 2 | | | |
| 7- | 80 REBID ISSUE | | | |
| 1-2-80 | BID ISSUE | | | |
| 4-30-79 | GEN. CONTR. BIDS - SPEC. | | | |
| 3-23-79 | OWNER'S APPROVAL | | | |
| Issue Date | Issue for | | Date | By |
| | | | | Revision |

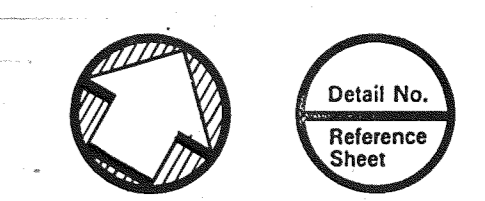
| | | |
|-------------------|--------------------|------|
| Project Director | FF WIDRIS | Seal |
| Project Architect | S.G. FARKAS | |
| Designed by | S.G. FARKAS | |
| Drawn by | MJ/REG | |
| Checked by | J. PESAVENTO | |
| Approved by | <i>[Signature]</i> | |
| Scale | 1/2" = 1'-0" | |
| Date | 4-30-79 | |

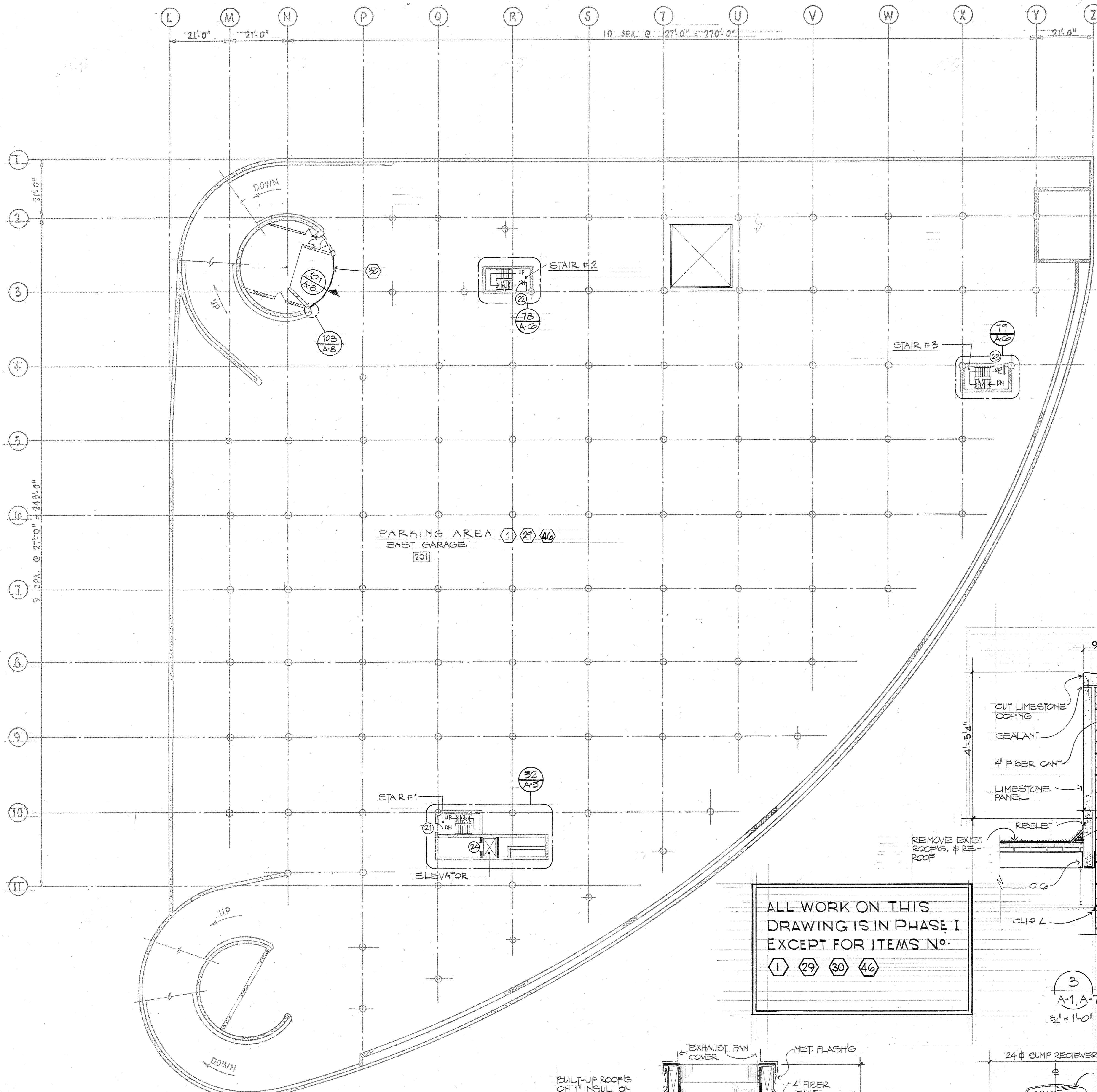
Giffels Associates, Inc.
 Architects Engineers Planners
 25200 Telegraph Road
 P. O. Box 5025
 Southfield, Michigan 48037

Project Title
 CITY OF DETROIT
 GRAND CIRCUS PARK
 GARAGE RENOVATION

ALL WORK ON THIS DRAWING IS IN PHASE II EXCEPT ITEM N° 29

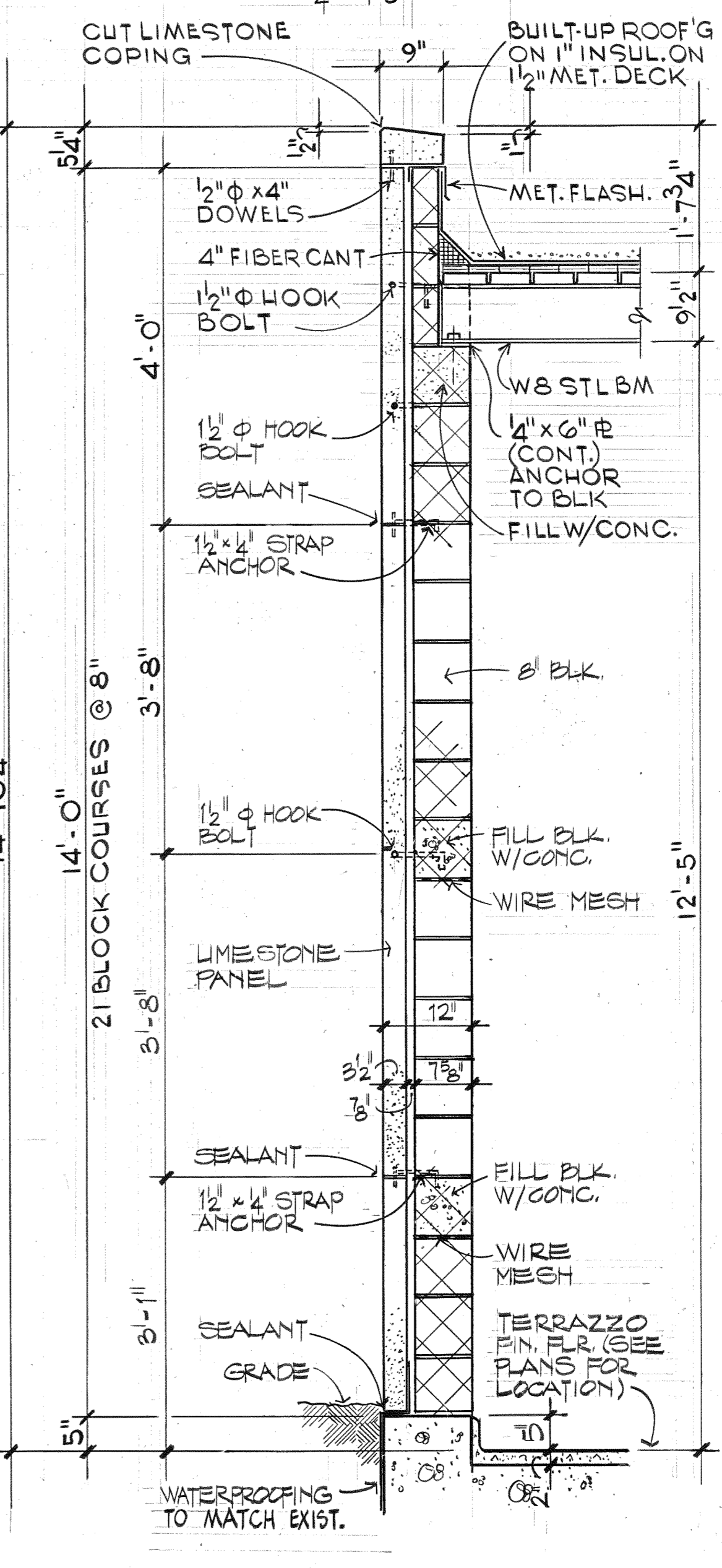
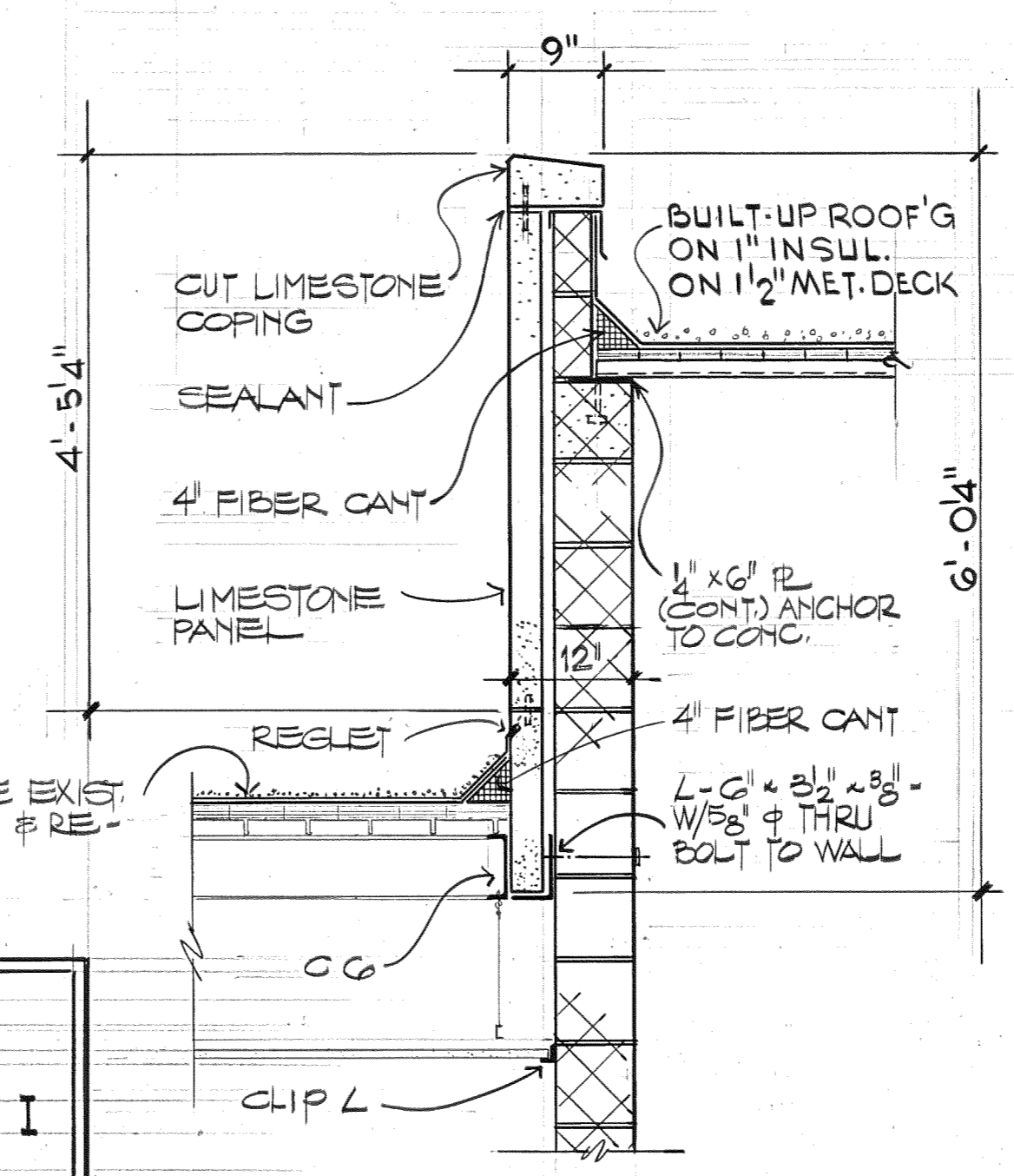
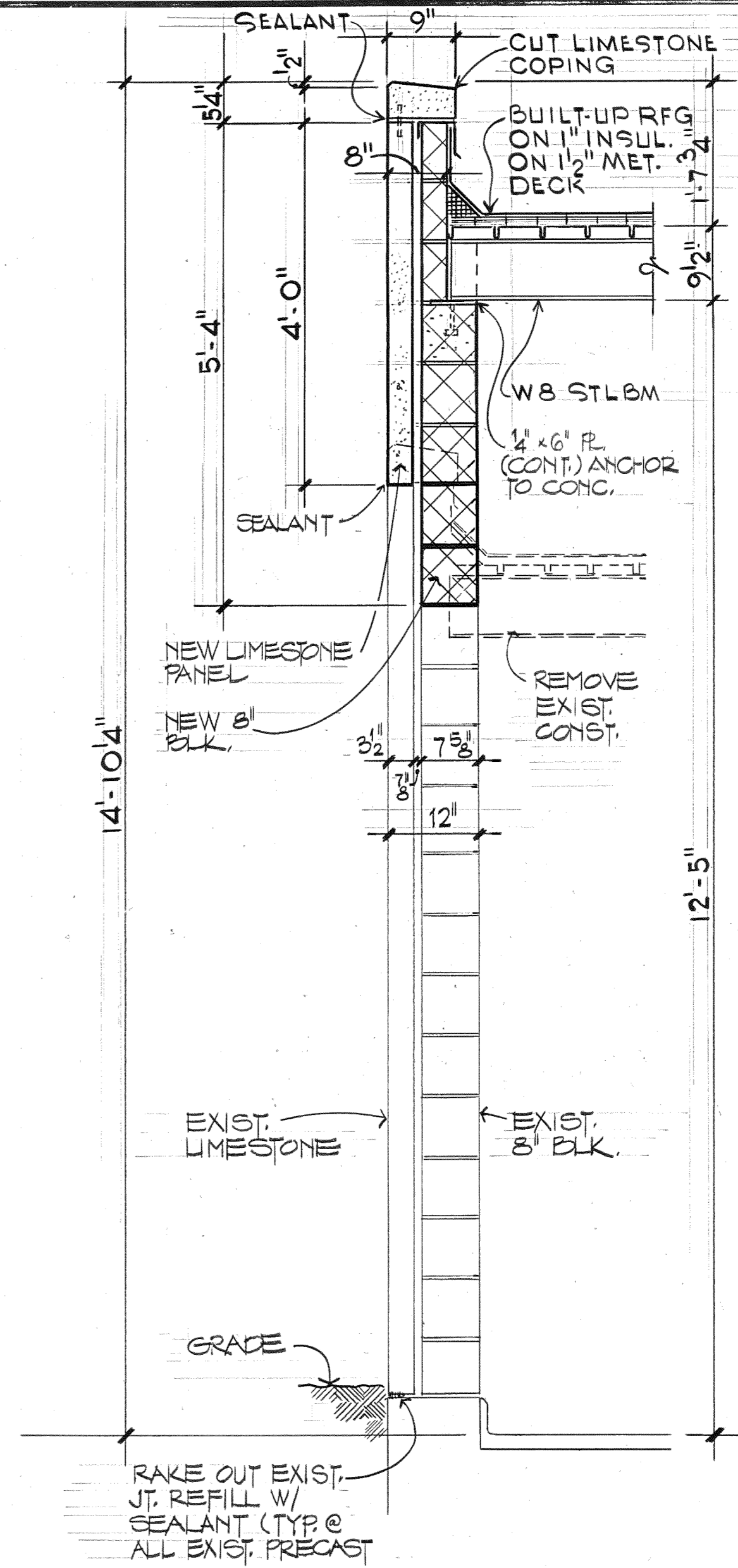
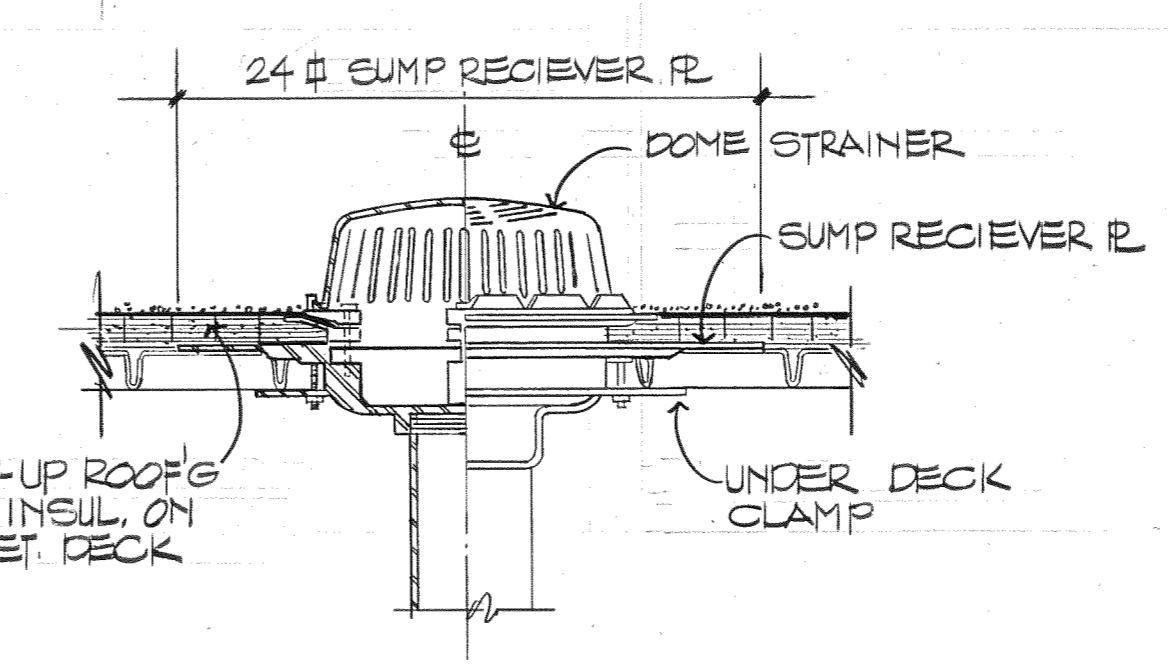
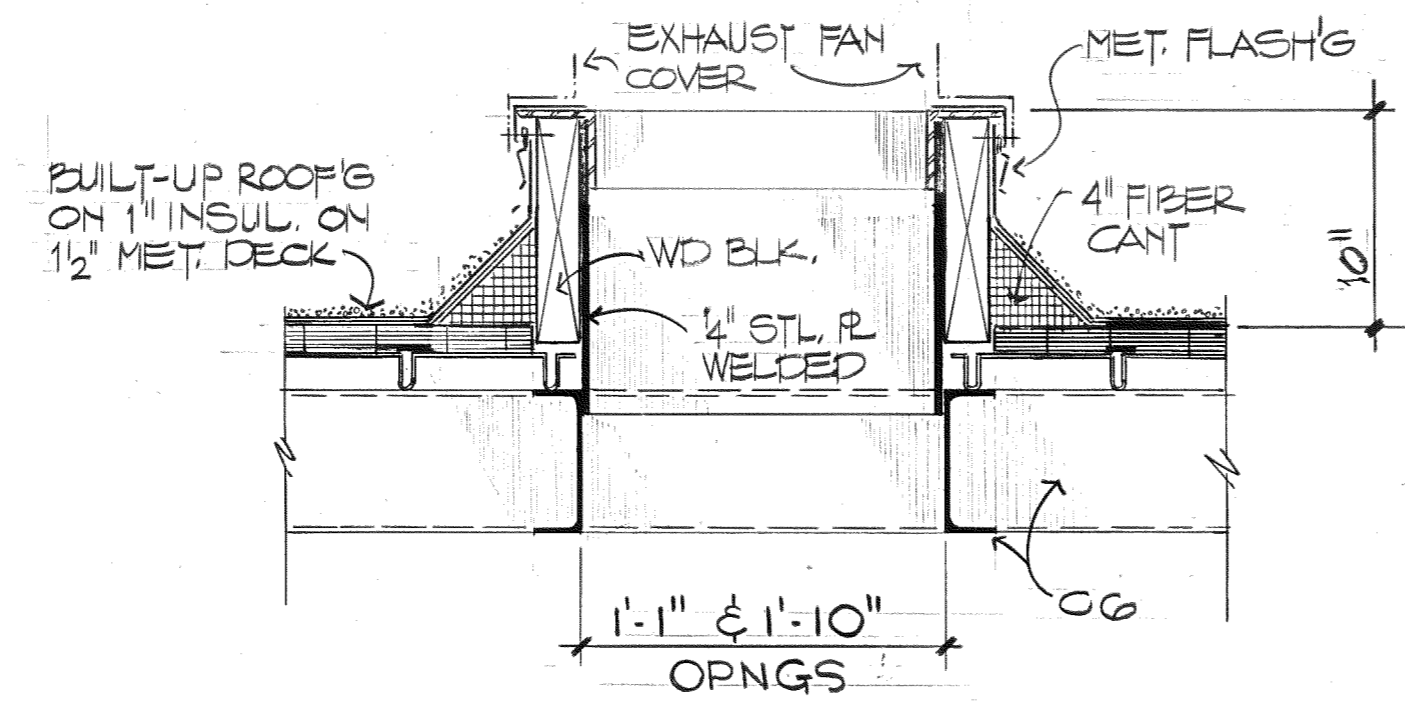
| | |
|--------------|-------------------------------|
| Sheet Title | FIRST SUB-FLOOR (EAST GARAGE) |
| North Symbol | Detail Symbol |
| Project No. | 78213 |
| Sheet No. | A-2 |





NOTES:
 --- DEFINES DEMOLITION WORK
 --- DEFINES NEW CONSTRUCTION
 ○ SEE SHT. 05-1 FOR LISTING OF RENOVATION WORK
 --- DEFINES EXIST. CONSTRUCTION

ALL WORK ON THIS DRAWING IS IN PHASE I EXCEPT FOR ITEMS NO. 1 29 30 46



| | | | |
|-------------------|--------------------------|----------|---------|
| 5-29-81 | GEN. CONTR. BULL. #1 | | |
| 7-80 | REBID ISSUE | | |
| 1-2-80 | BID ISSUE | | |
| 4-30-79 | GEN. CONTR. BIDS. SPECS. | | |
| 3-23-79 | OWNERS APPROVAL | Date | By |
| Issue Date | Issue for | Revision | |
| Project Director | P.F. WIDRS | Seal | |
| Project Architect | S.E. FARKAS | | |
| Designed by | S.E. FARKAS | | |
| Drawn by | MJ/REC | | |
| Checked by | J. BEAVENTO | | |
| Approved by | <i>[Signature]</i> | | |
| Scale | 1/2" = 1'-0" | Date | 4-30-79 |

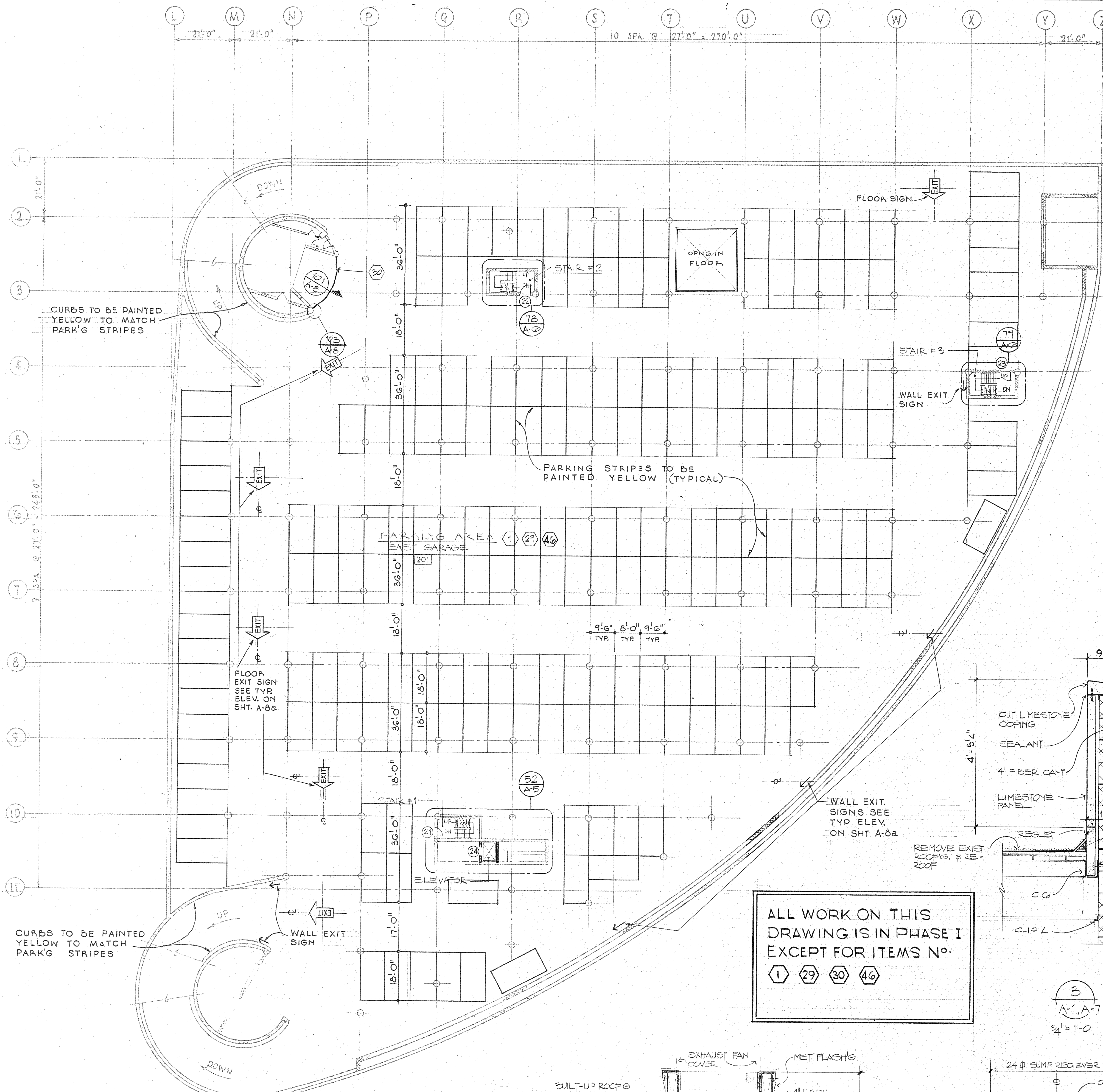
Giffels Associates, Inc.
 Architects Engineers Planners

25200 Telegraph Road
 P. O. Box 5025
 Southfield, Michigan 48037

CITY OF DETROIT
 GRAND CIRCUS PARK
 GARAGE RENOVATION

SECOND SUB-FLOOR PLAN
 EAST GARAGE
 SECTIONS, DETAILS

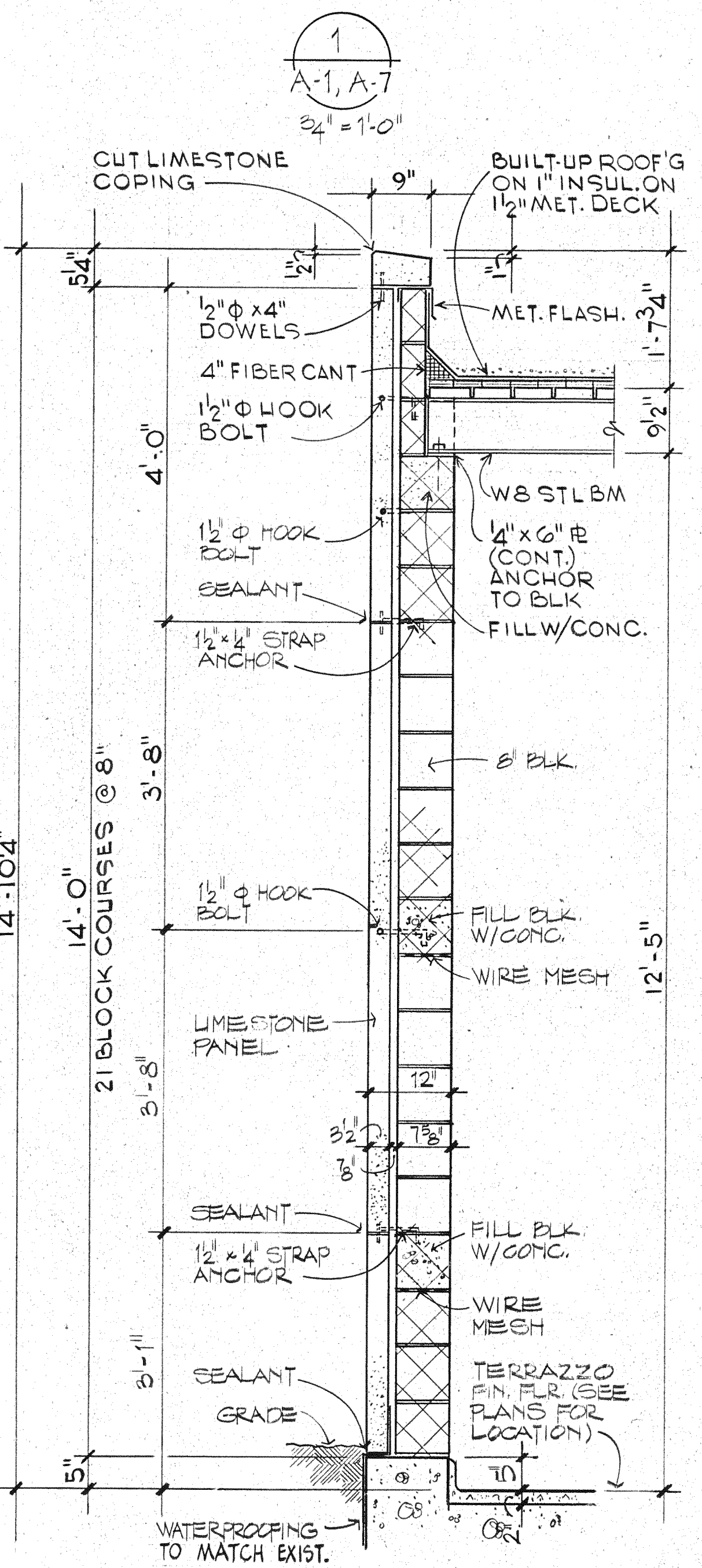
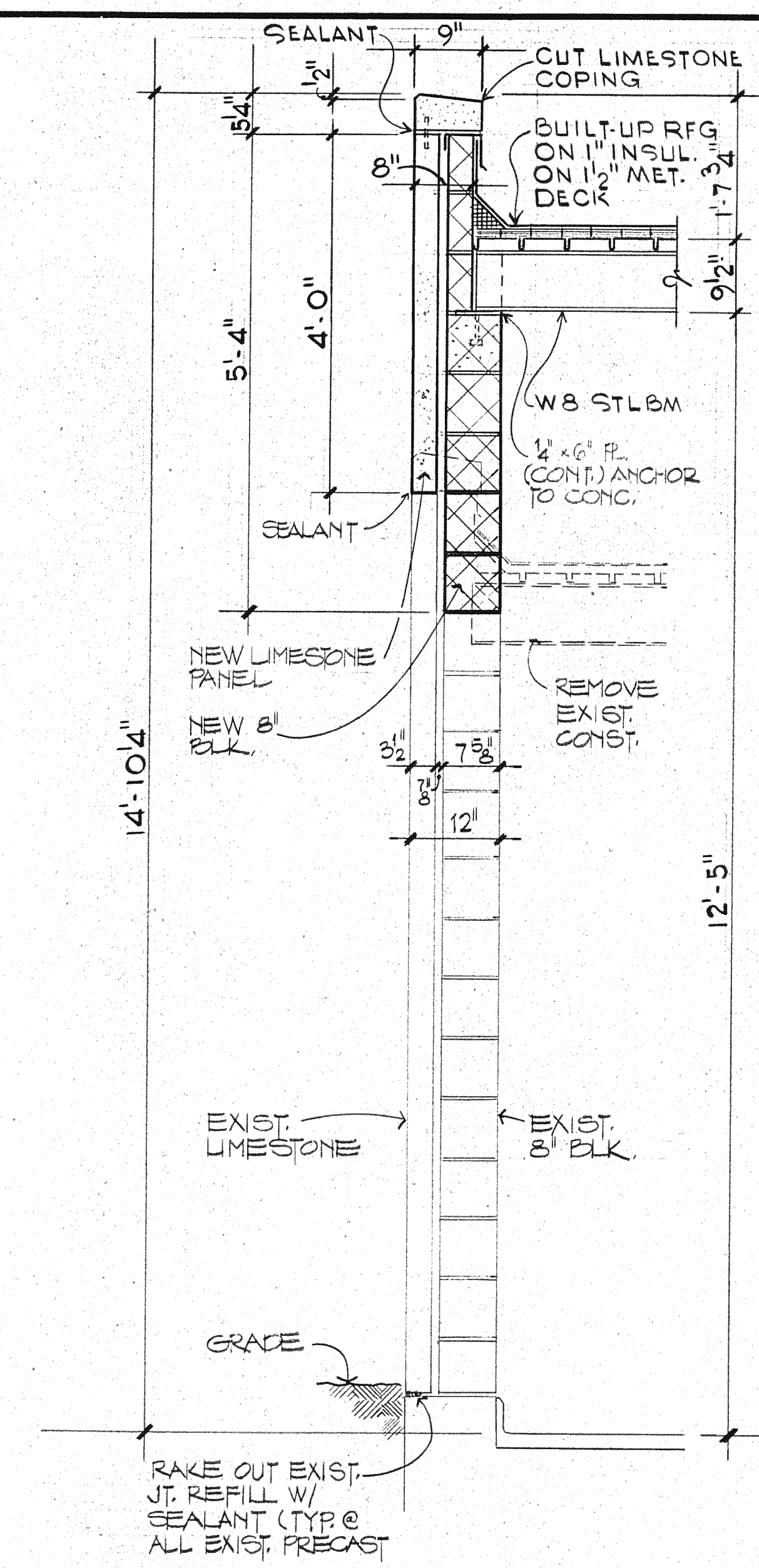
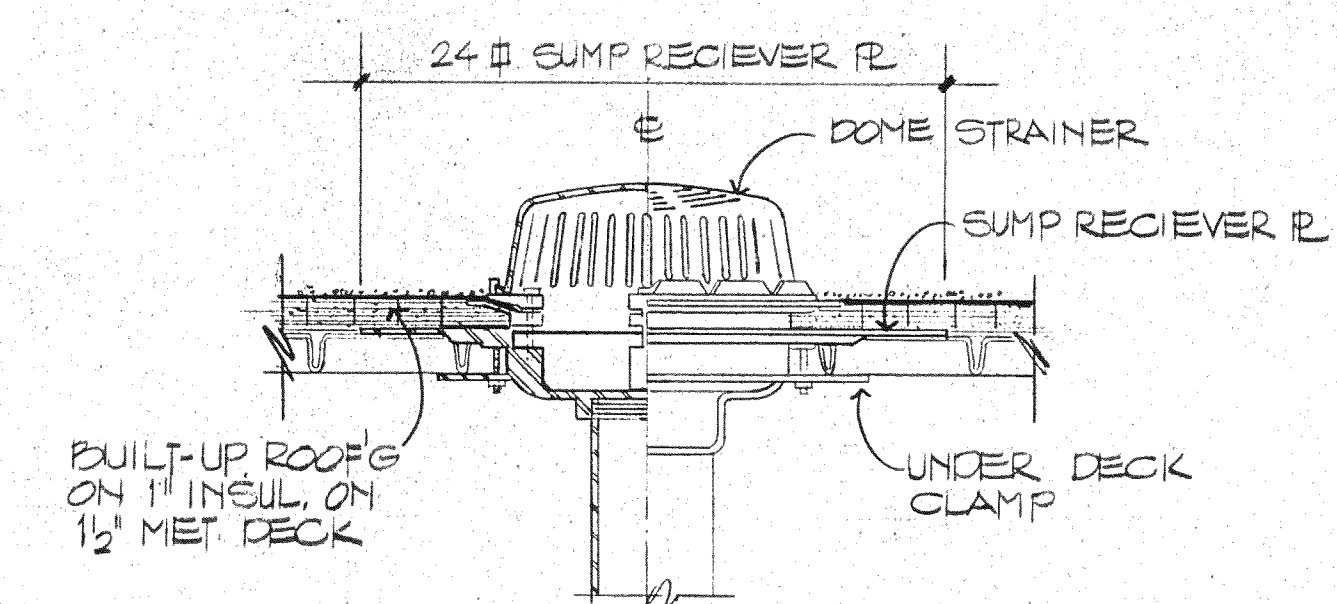
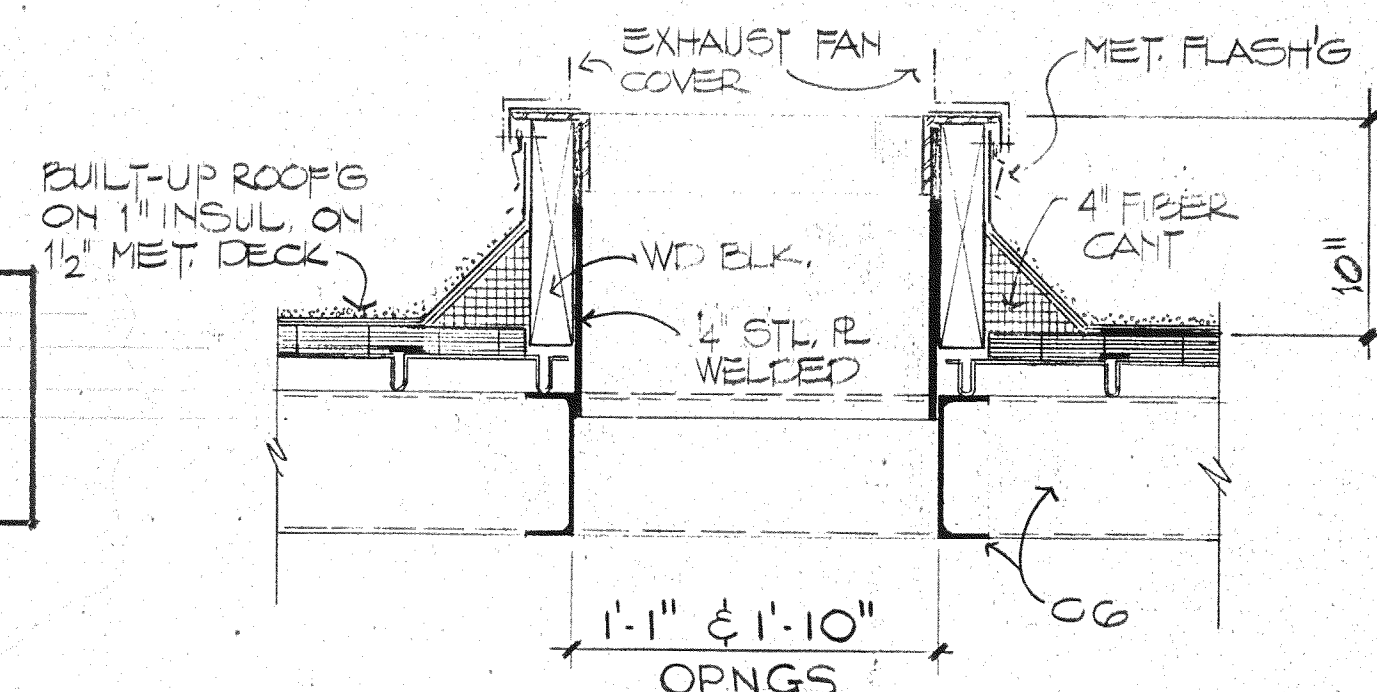
| | | |
|--------------|----------------------------|-------------|
| North Symbol | Detail Symbol | Project No. |
| | | 73218 |
| Sheet No. | Detail No. Reference Sheet | Sheet No. |
| | A-3 | |



ALL WORK ON THIS DRAWING IS IN PHASE I EXCEPT FOR ITEMS NO. 1 29 30 46

TOTAL PARKING SPACES EAST GARAGE = 207

- NOTES:**
- DEFINES DEMOLITION WORK
 - DEFINES NEW CONSTRUCTION
 - SEE SHT. 05-1 FOR LISTING OF RENOVATION WORK
 - DEFINES EXIST. CONSTRUCTION



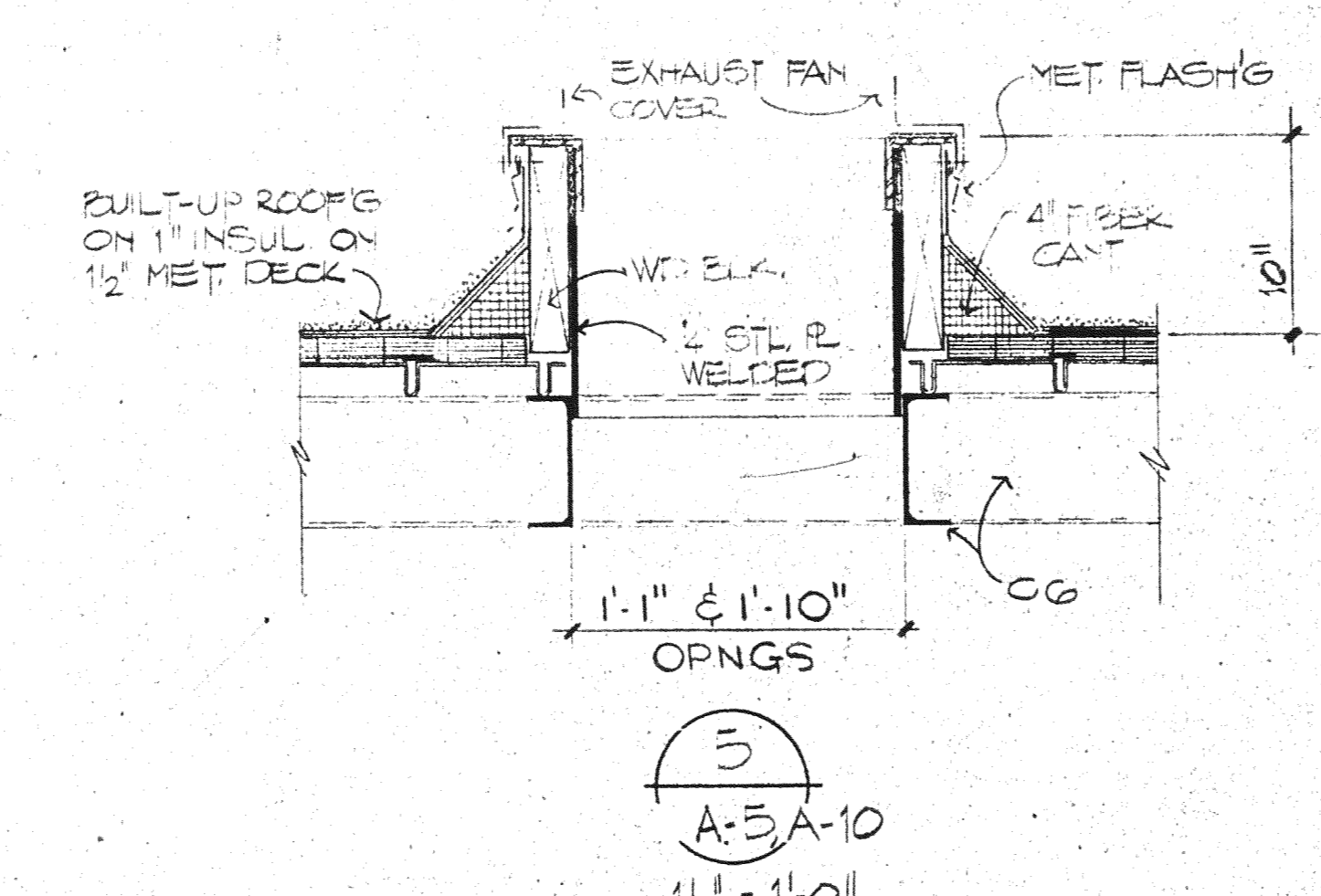
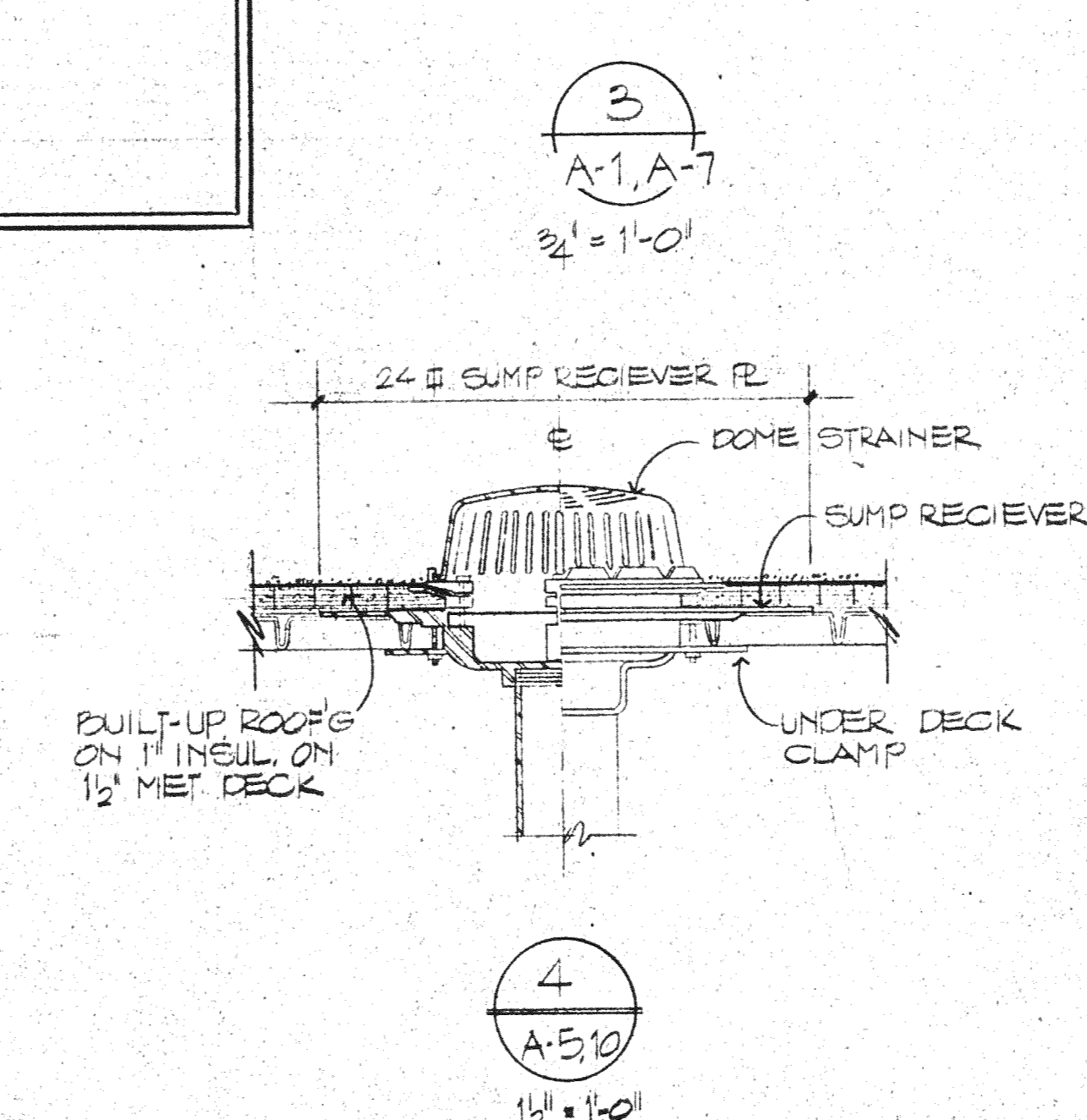
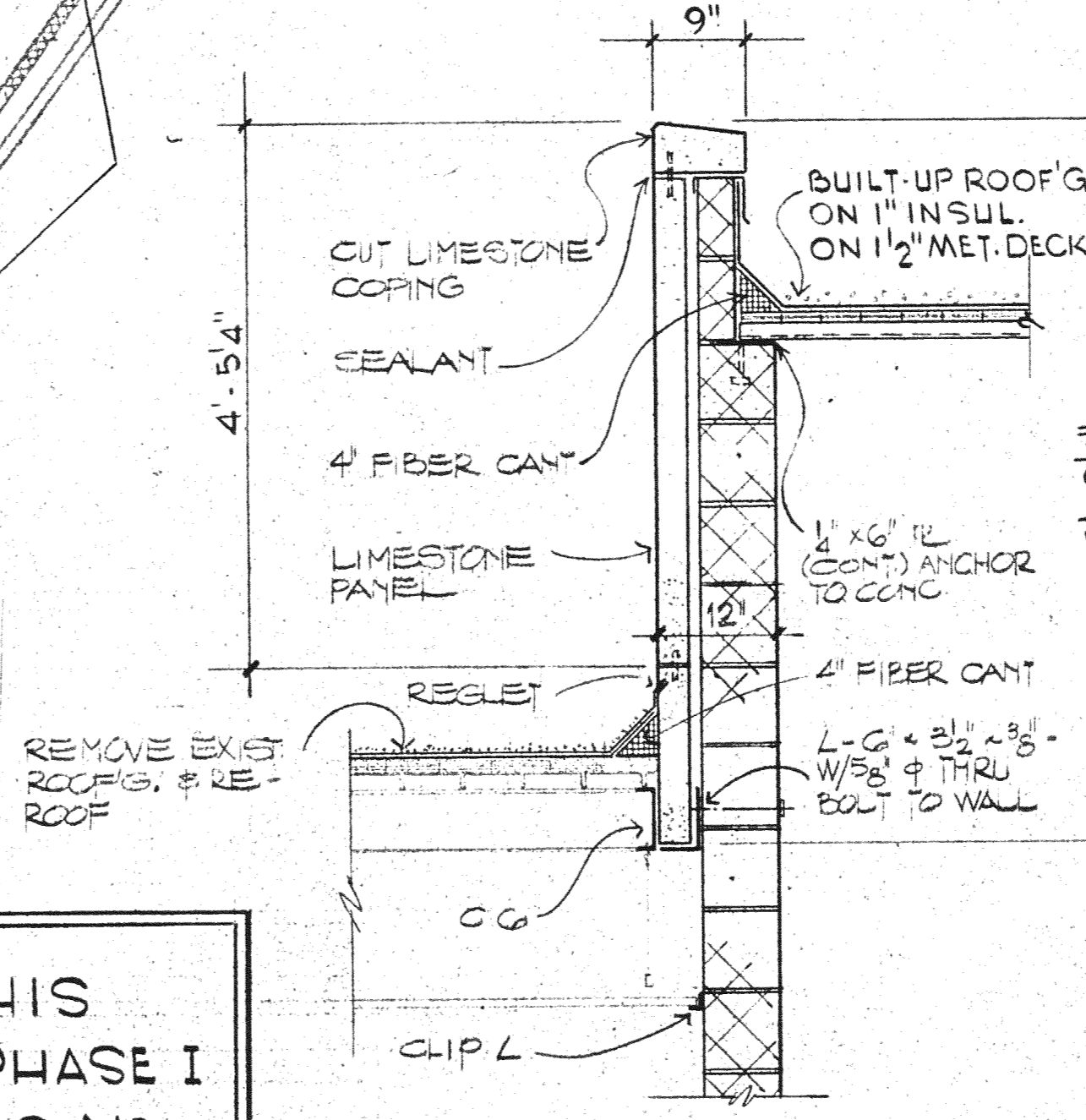
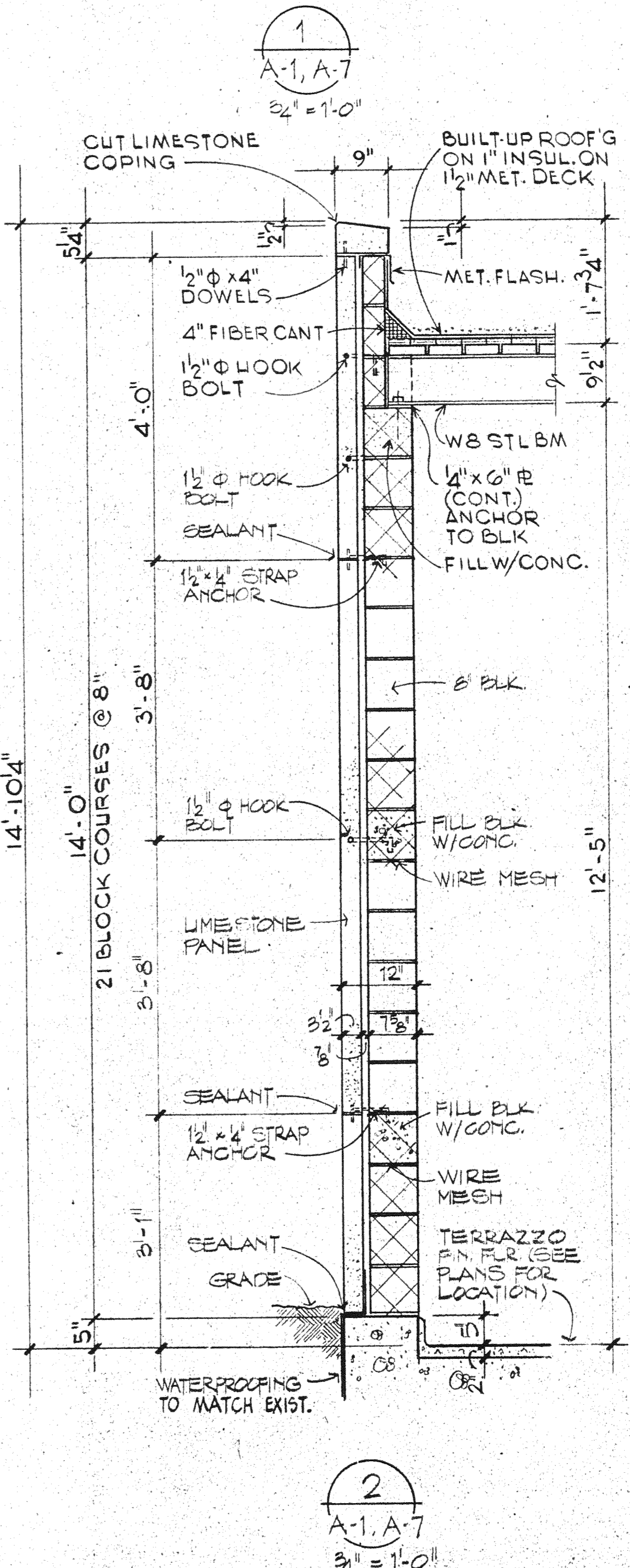
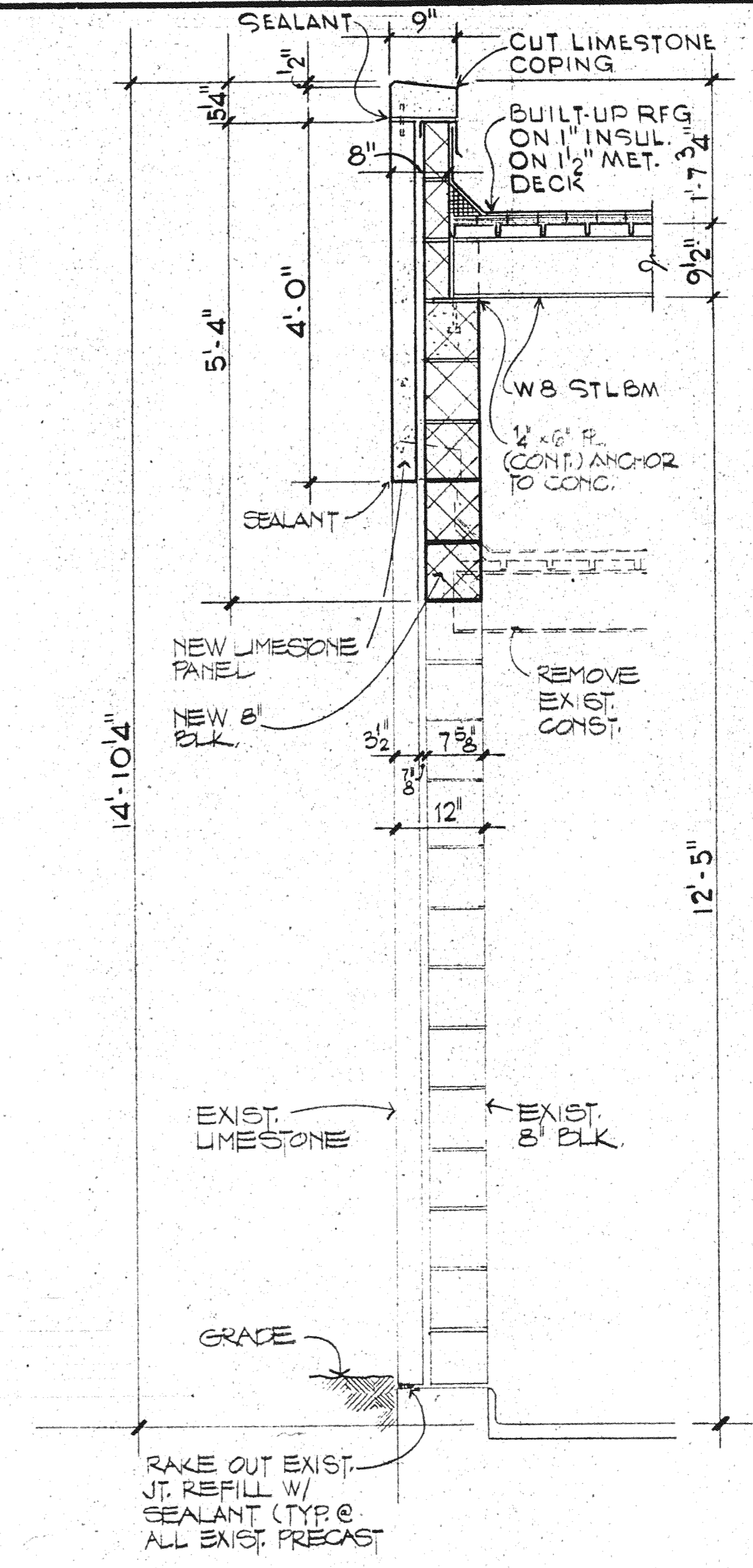
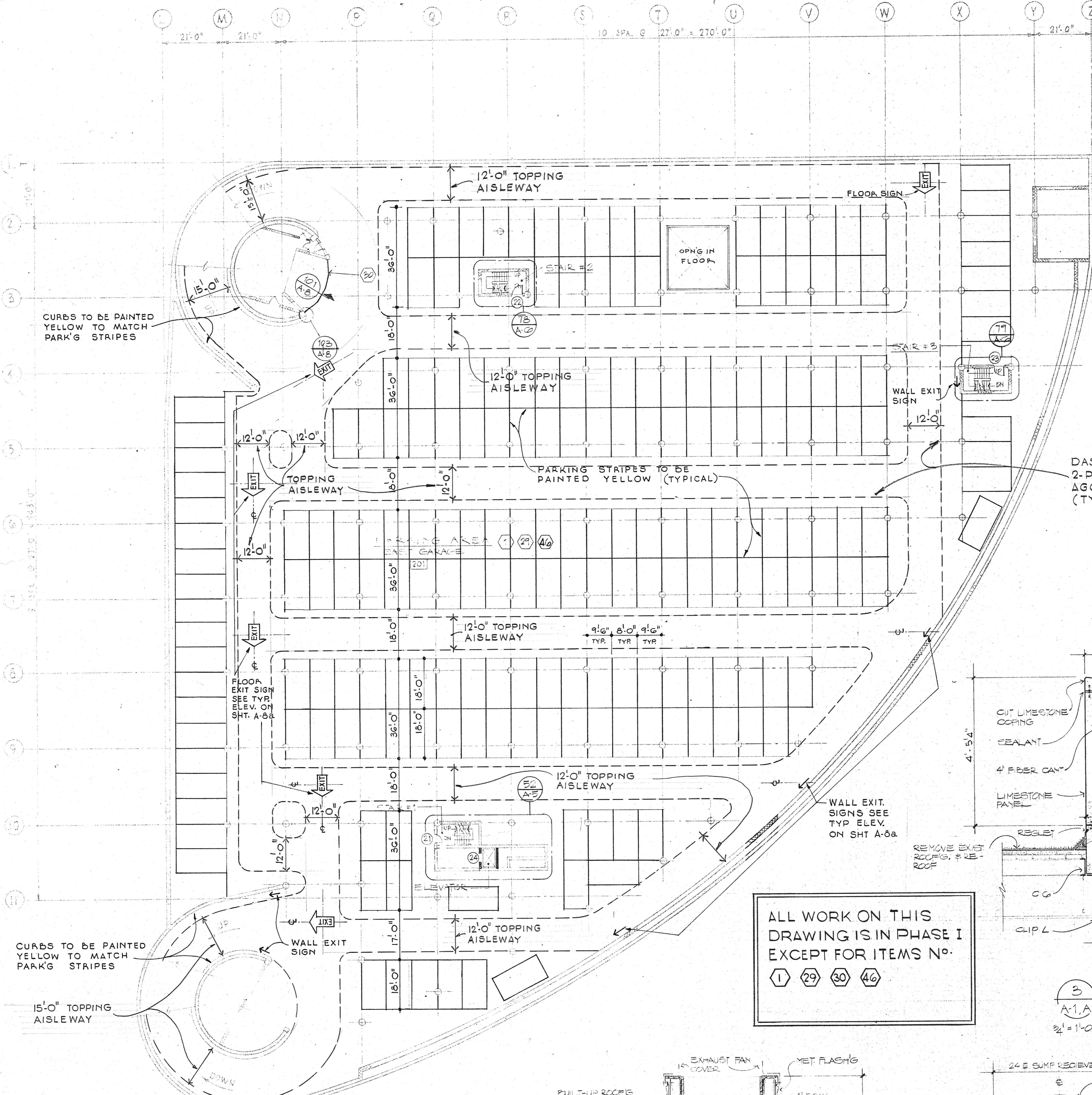
| | | | |
|------------|---------------------------------------|---------------|----------|
| 3-5-82 | GEN. CONTR. BULL # 5A | | |
| 10-9-81 | GEN. CONTR. BULL # 5 | | |
| 5-29-81 | GEN. CONTR. BULL # 1 | | |
| 7-80 | REBID ISSUE | | |
| 1-2-80 | B/D ISSUE | | |
| 4-20-79 | GEN. CONTR. BIDS-SPECS | | |
| 3-23-79 | OWNER'S APPROVAL | | |
| Issue Date | Issue for | Date | Revision |
| | Project Director: FF WORG | | Seal |
| | Project Architect: S.B. FARKAS | | |
| | Designed by: S.B. FARKAS | | |
| | Drawn by: MJ/REG | | |
| | Checked by: J. FERRANTE | | |
| | Approved by: <i>[Signature]</i> | | |
| | Scale: 1/2" = 1'-0" | Date: 4-20-79 | |

Giffels Associates, Inc.
 Architects Engineers Planners
 25200 Telegraph Road
 P. O. Box 5025
 Southfield, Michigan 48037

Project Title
CITY OF DETROIT
GRAND CIRCUS PARK GARAGE RENOVATION

Sheet Title
SECOND SUB-FLOOR PLAN EAST GARAGE SECTIONS & DETAILS

North Symbol Detail Symbol Project No. 78213
 Sheet No. A-3a



ALL WORK ON THIS DRAWING IS IN PHASE I EXCEPT FOR ITEMS NO. 1, 29, 30, 46

NOTES:
 - - - - - DEFINES DEMOLITION WORK
 ———— DEFINES NEW CONSTRUCTION
 ○ SEE SHT. 001 FOR LISTING OF RENOVATION WORK
 - - - - - DEFINES EX. ST. CONSTRUCTION

| | | | |
|-------------------|------------------------|------|----------|
| 3-5-82 | GEN. CONTR. BULL. #8A | | |
| 10-28-81 | GEN. CONTR. BULL. #8 | | |
| 10-9-81 | GEN. CONTR. BULL. #8 | | |
| 5-29-81 | GEN. CONTR. BULL. #1 | | |
| 7- | 80 REBID ISSUE | | |
| 1-2-80 | BID ISSUE | | |
| 4-20-79 | GEN. CONTR. BIDS-SPECS | | |
| 2-23-77 | OWNERS APPROVAL | | |
| Issue Date | Issue for | Date | Revision |
| | | | |
| Project Director | FF VORIS | | Seal |
| Project Architect | S.B. FARKAS | | |
| Designed by | S.B. FARKAS | | |
| Drawn by | M.J. REBO | | |
| Checked by | J. P. CALVENTO | | |
| Approved by | <i>[Signature]</i> | | |
| Scale | 1/2" = 1'-0" | Date | 4-30-79 |

Giffels Associates, Inc.
 Architects Engineers Planners

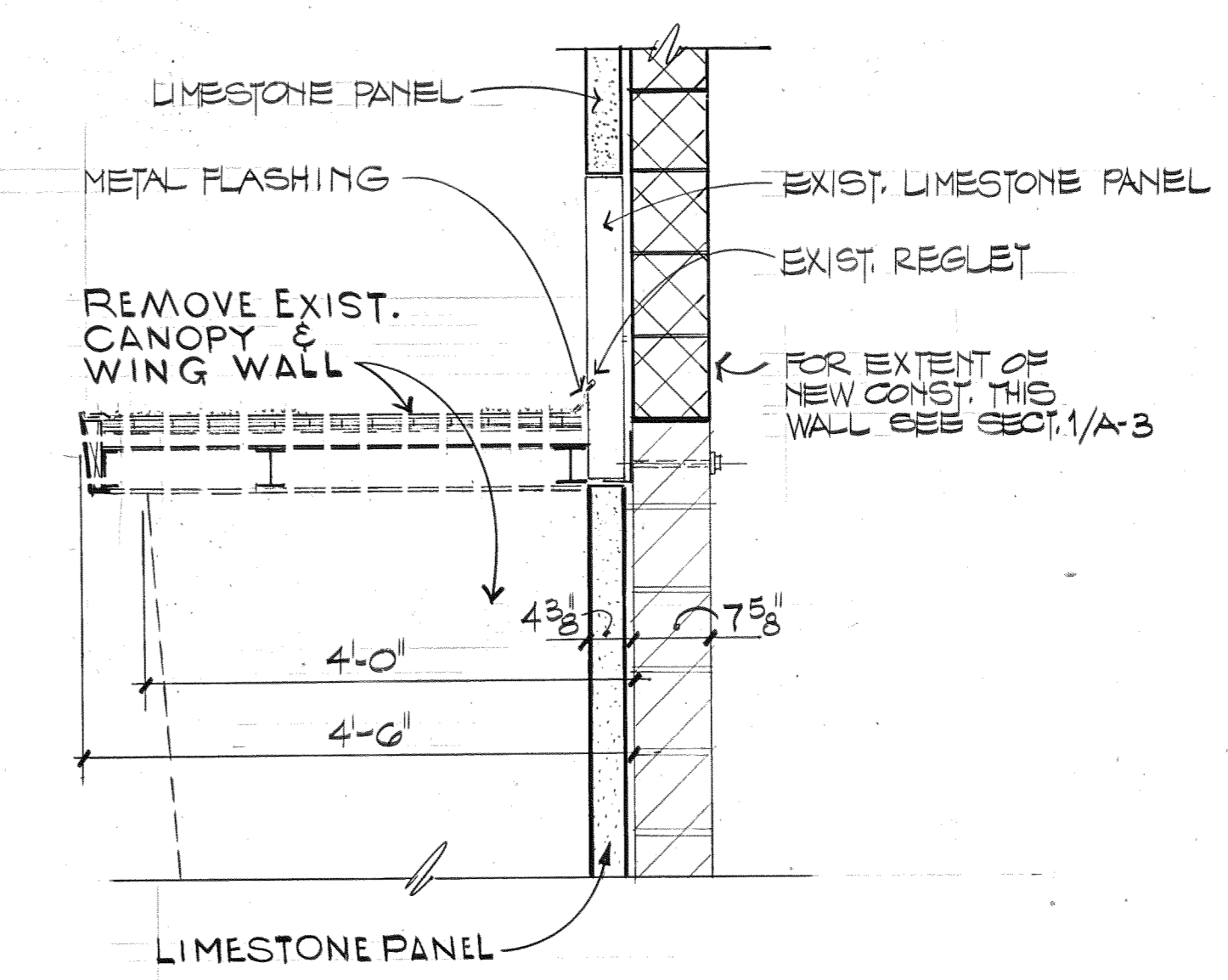
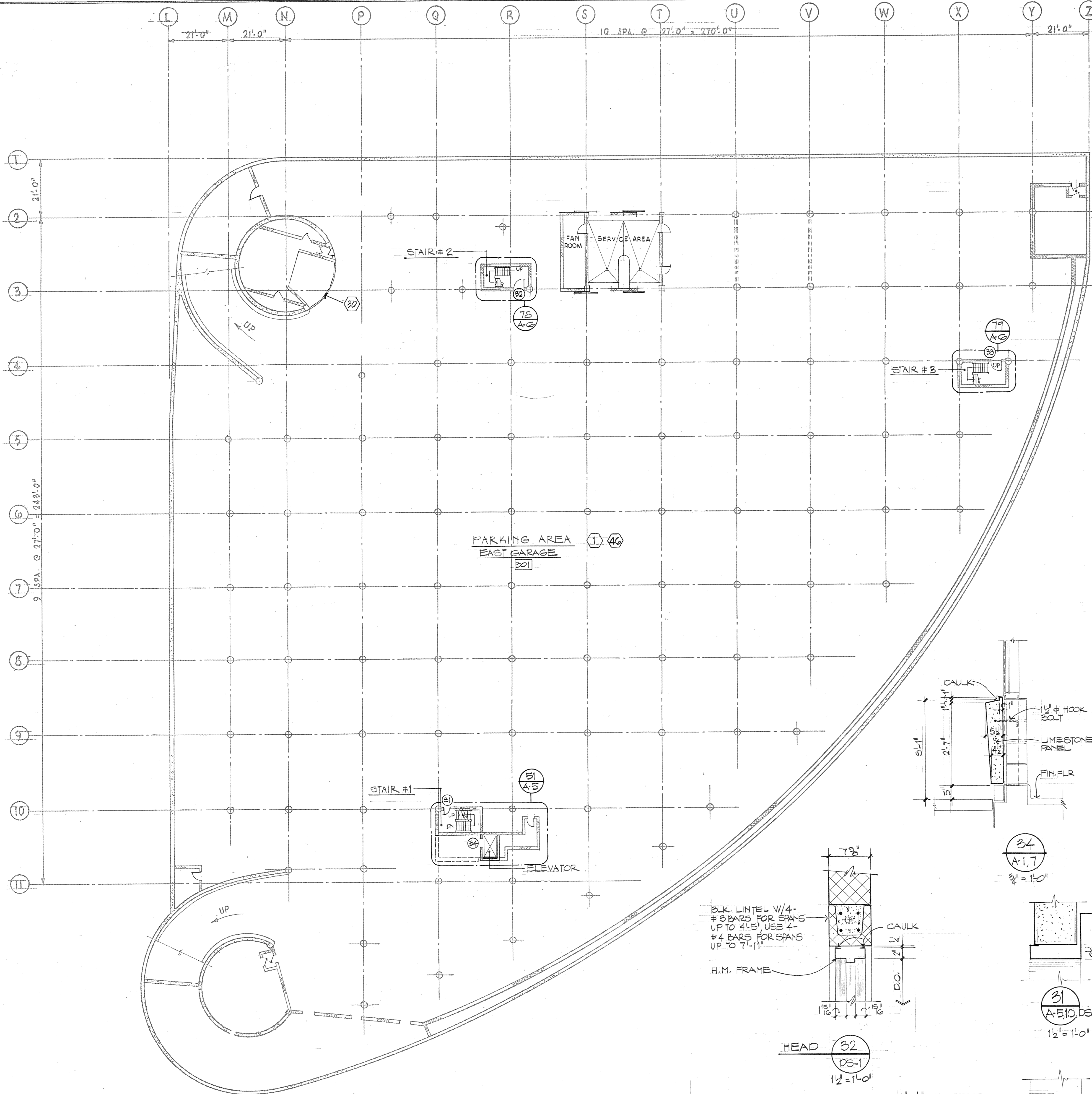
25200 Telegraph Road
 P. O. Box 5025
 Southfield, Michigan 48037

Project Title
CITY OF DETROIT
GRAND CIRCUUS PARK
GARAGE RENOVATION

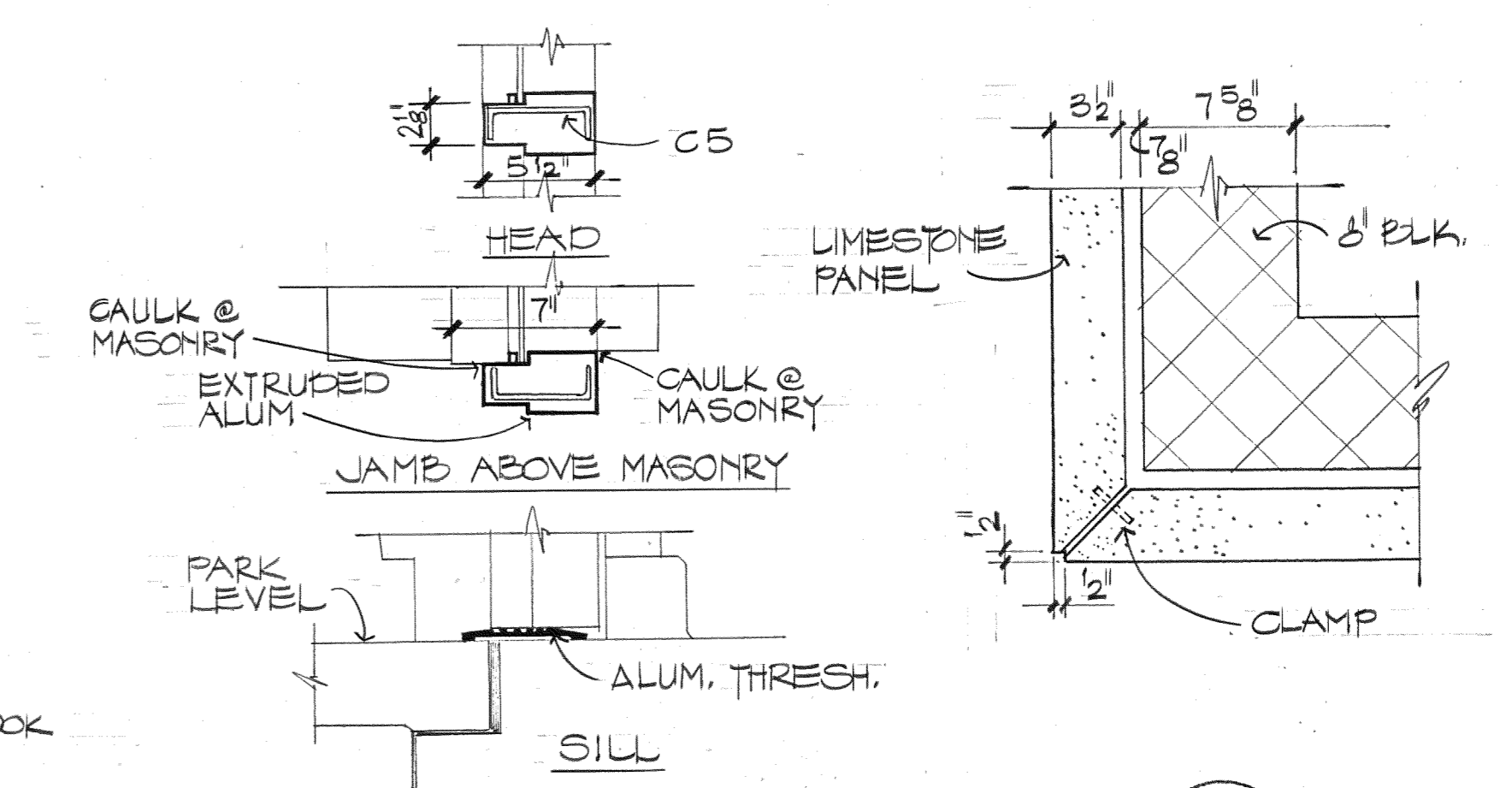
Sheet Title
SECOND SUB-FLOOR PLAN
EAST GARAGE
SECTIONS, DETAILS

North Symbol Detail Symbol Project No. 78218
 Sheet No. A-3b

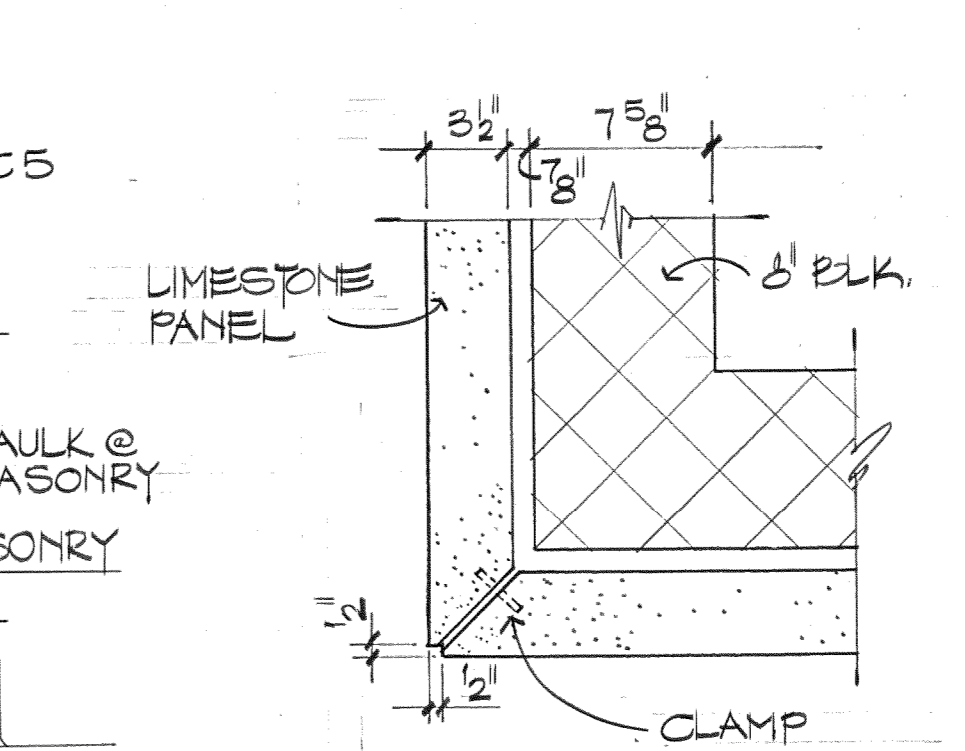
MAR 02 1982
 MAR 03 1982



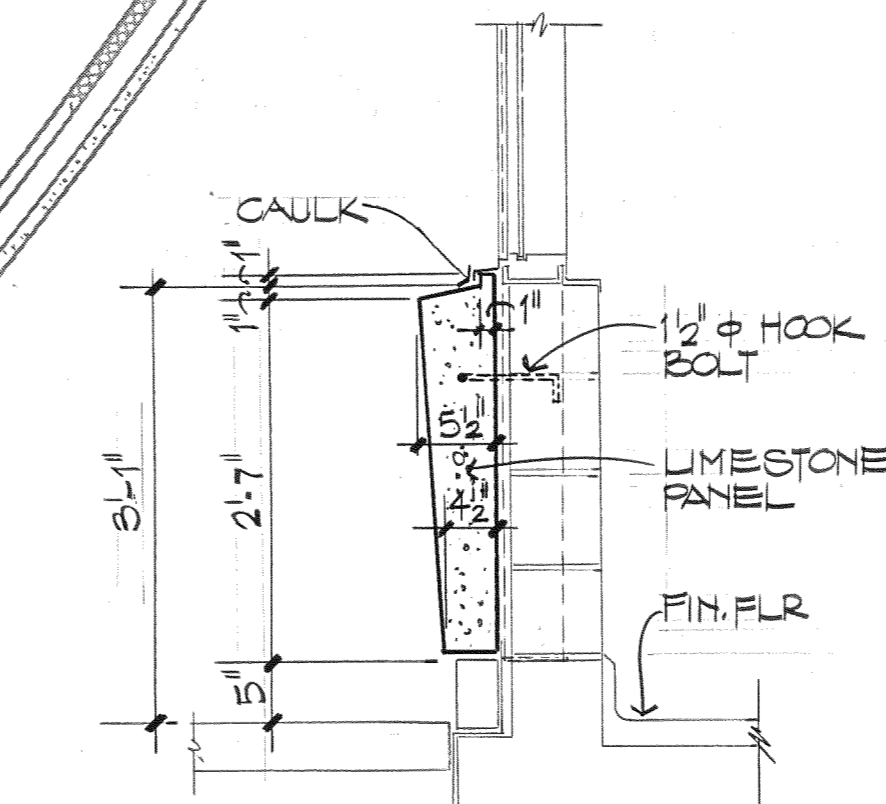
26
A-1,7, A-5
1/2" = 1'-0"



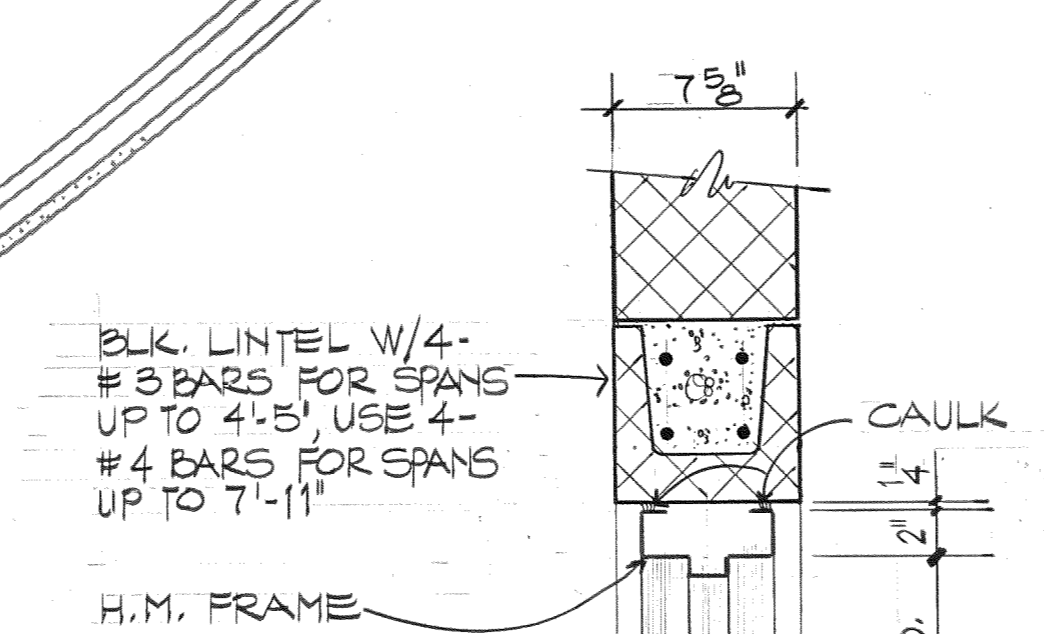
27
A-1,7, DS-1
1/2" = 1'-0"



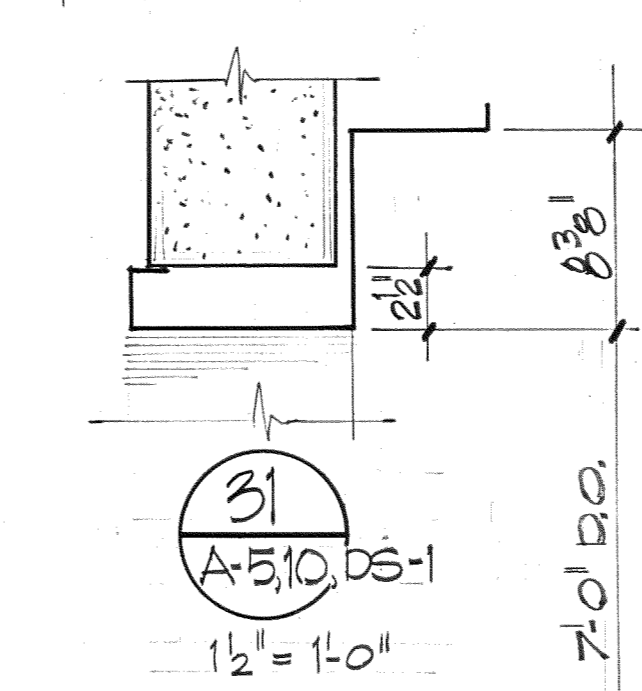
28
A-1,5,7,10, DS-1
1/2" = 1'-0"



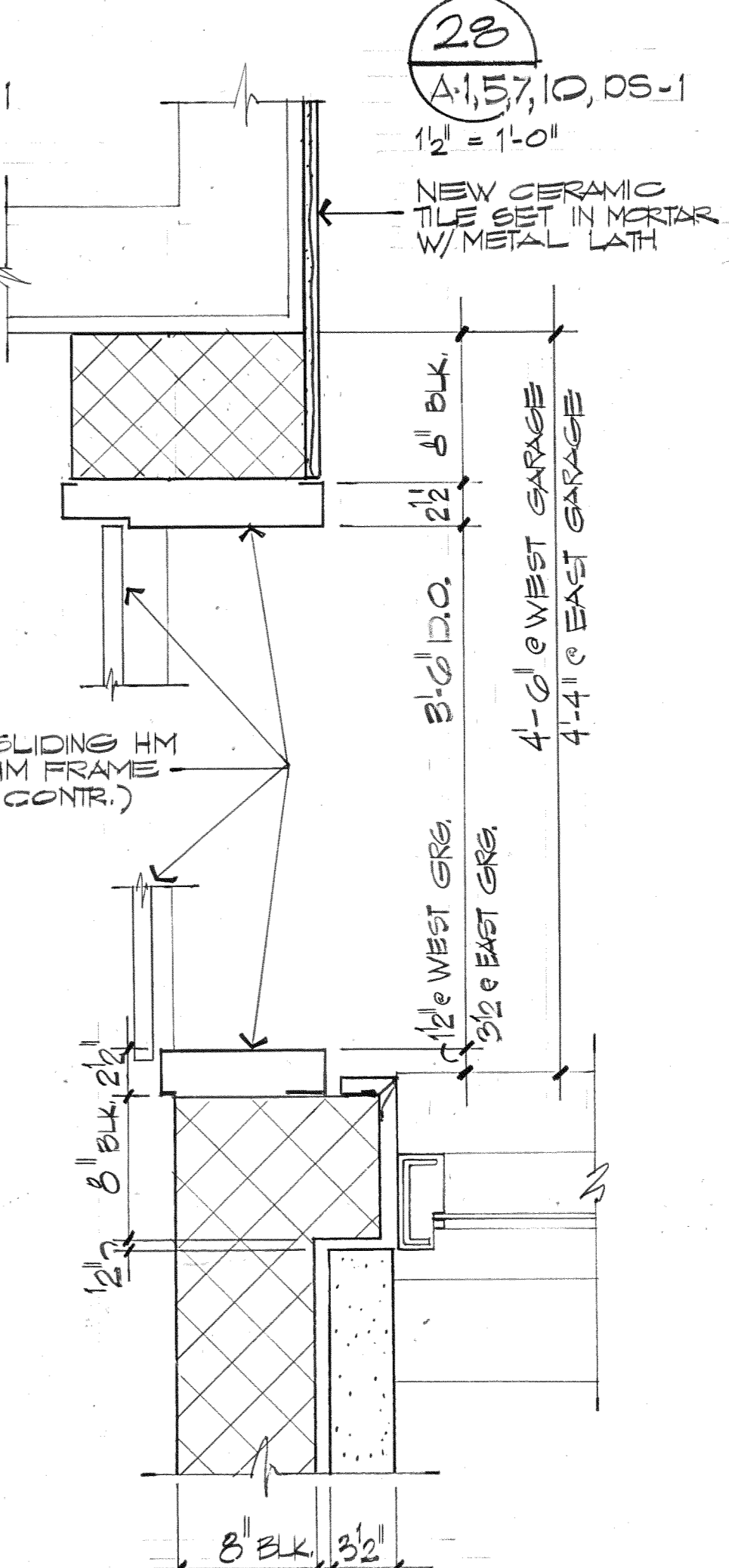
34
A-1,7
3/4" = 1'-0"



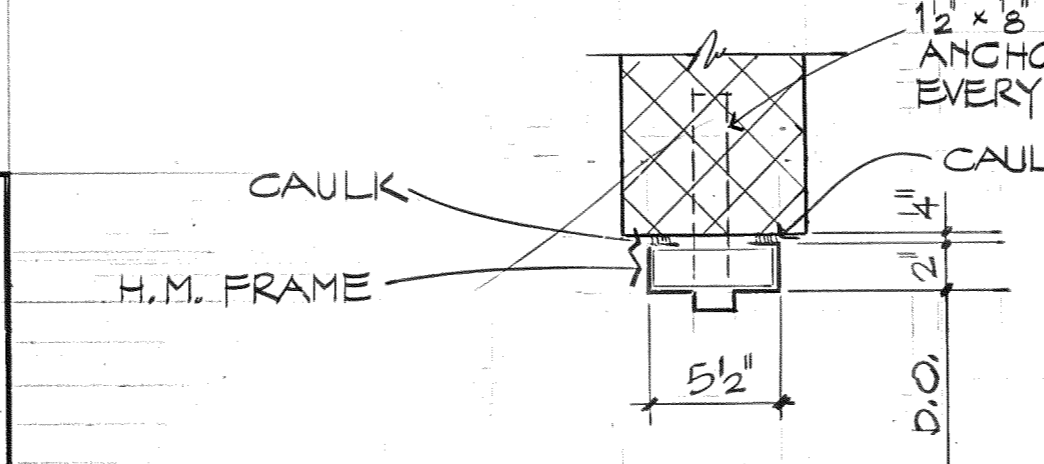
32
DS-1
1/2" = 1'-0"



31
A-5,10, DS-1
1/2" = 1'-0"



29
A-1,5,7,10, DS-1
1/2" = 1'-0"



33
DS-1
1/2" = 1'-0"

NOTES:
 --- DEFINES DEMOLITION WORK
 --- DEFINES NEW CONSTRUCTION
 ○ SEE SHT. DS-1 FOR LISTING OF RENOVATION WORK
 --- DEFINES EXIST. CONSTRUCTION

ALL WORK ON THIS DRAWING IS IN PHASE I EXCEPT FOR ITEMS NO. 1, 30, 46

7-80 REBID ISSUE
 1-280 BID ISSUE
 4-20-79 GEN. CONTR. BID-SPECS.
 3-23-79 OWNERS APPROVAL

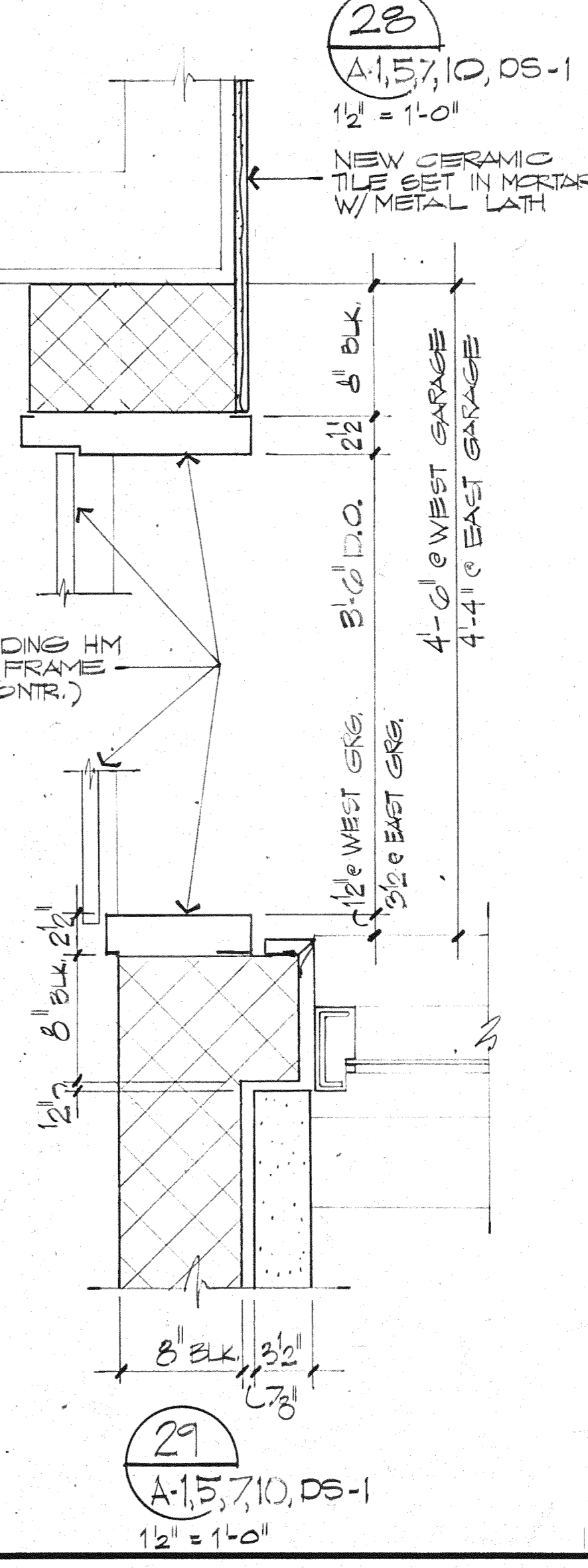
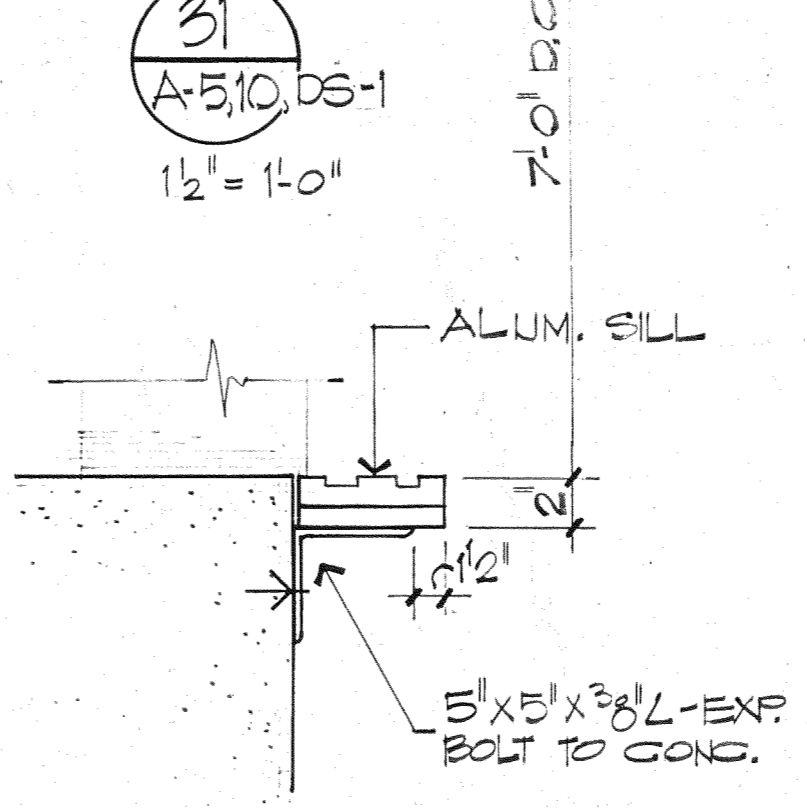
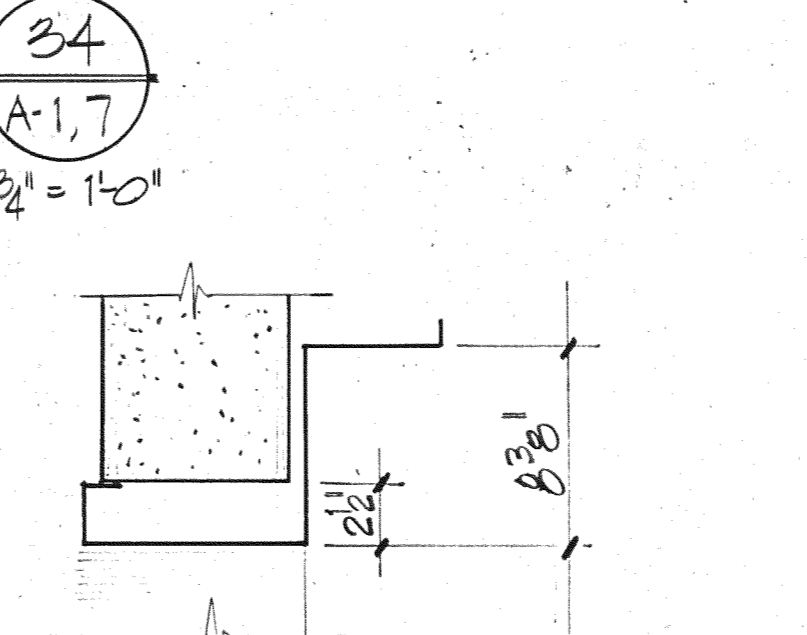
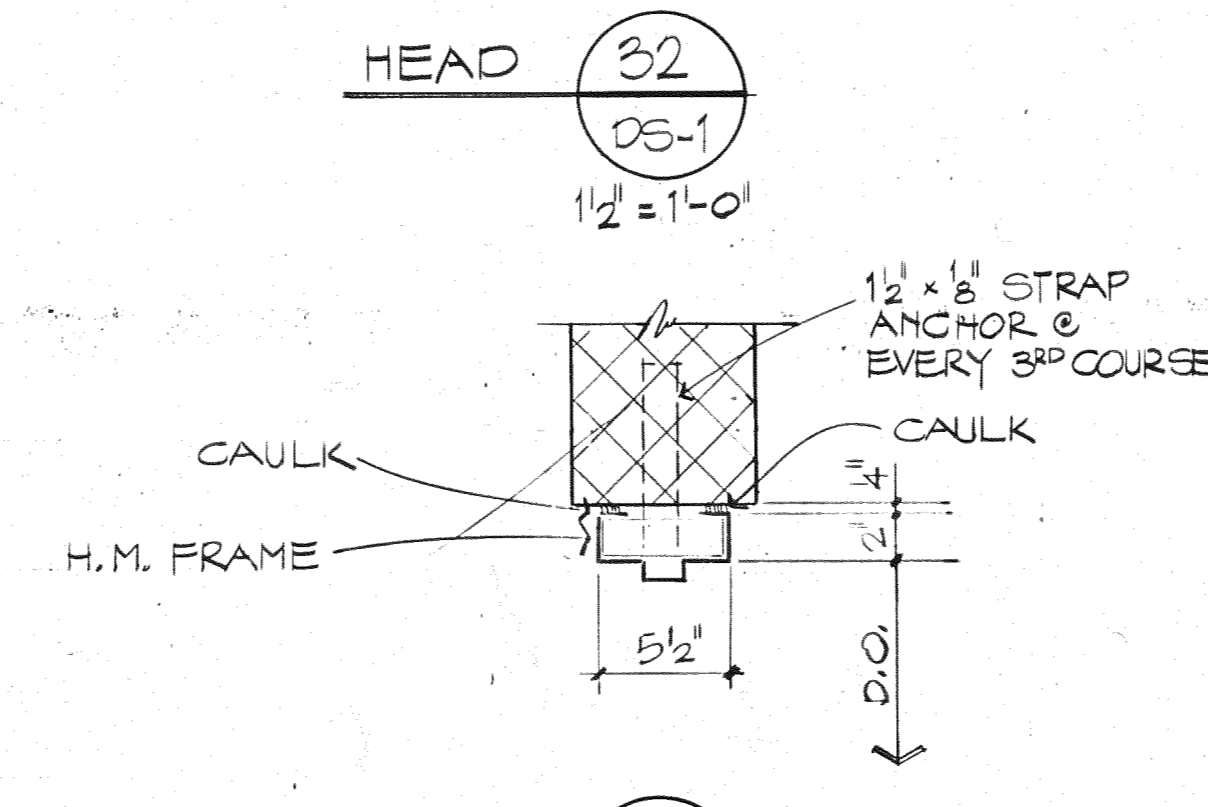
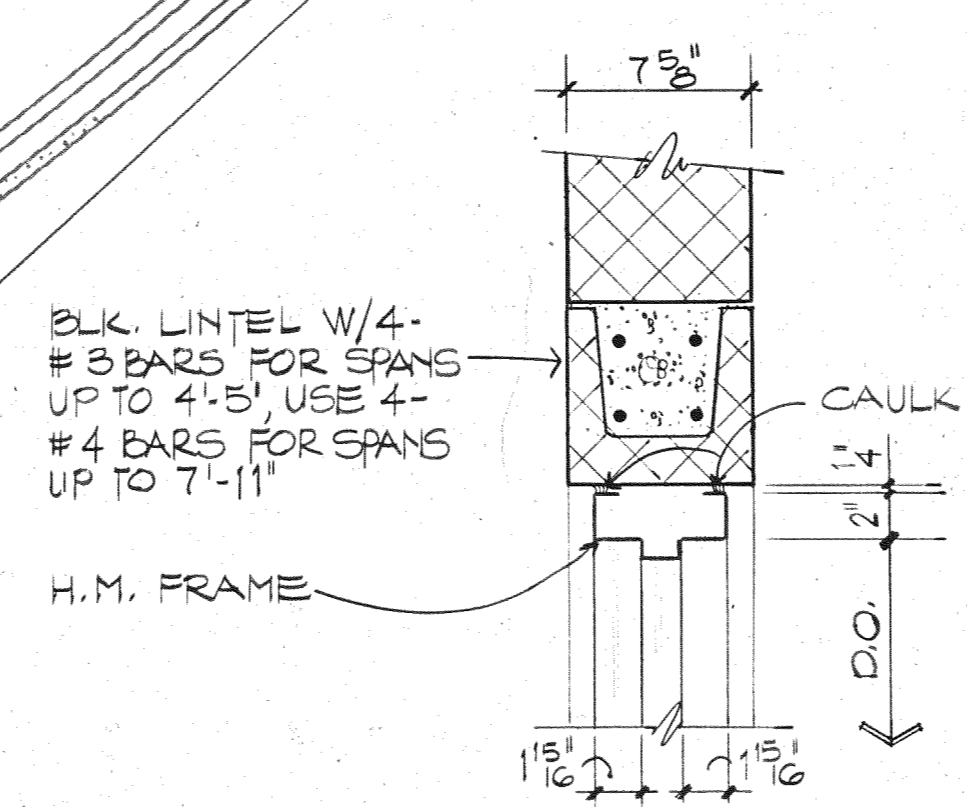
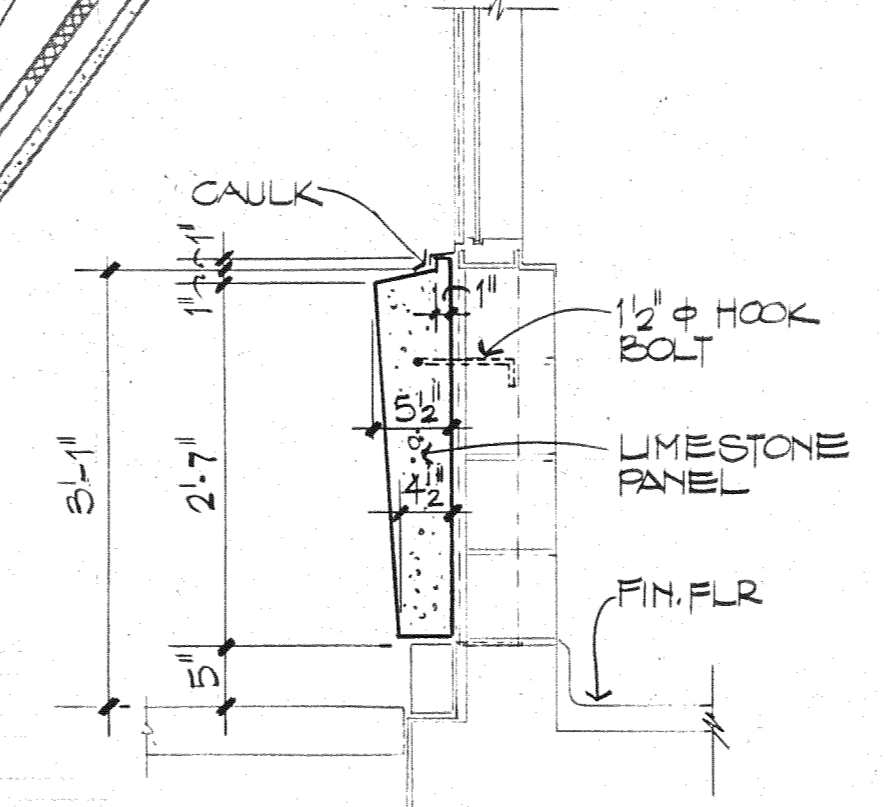
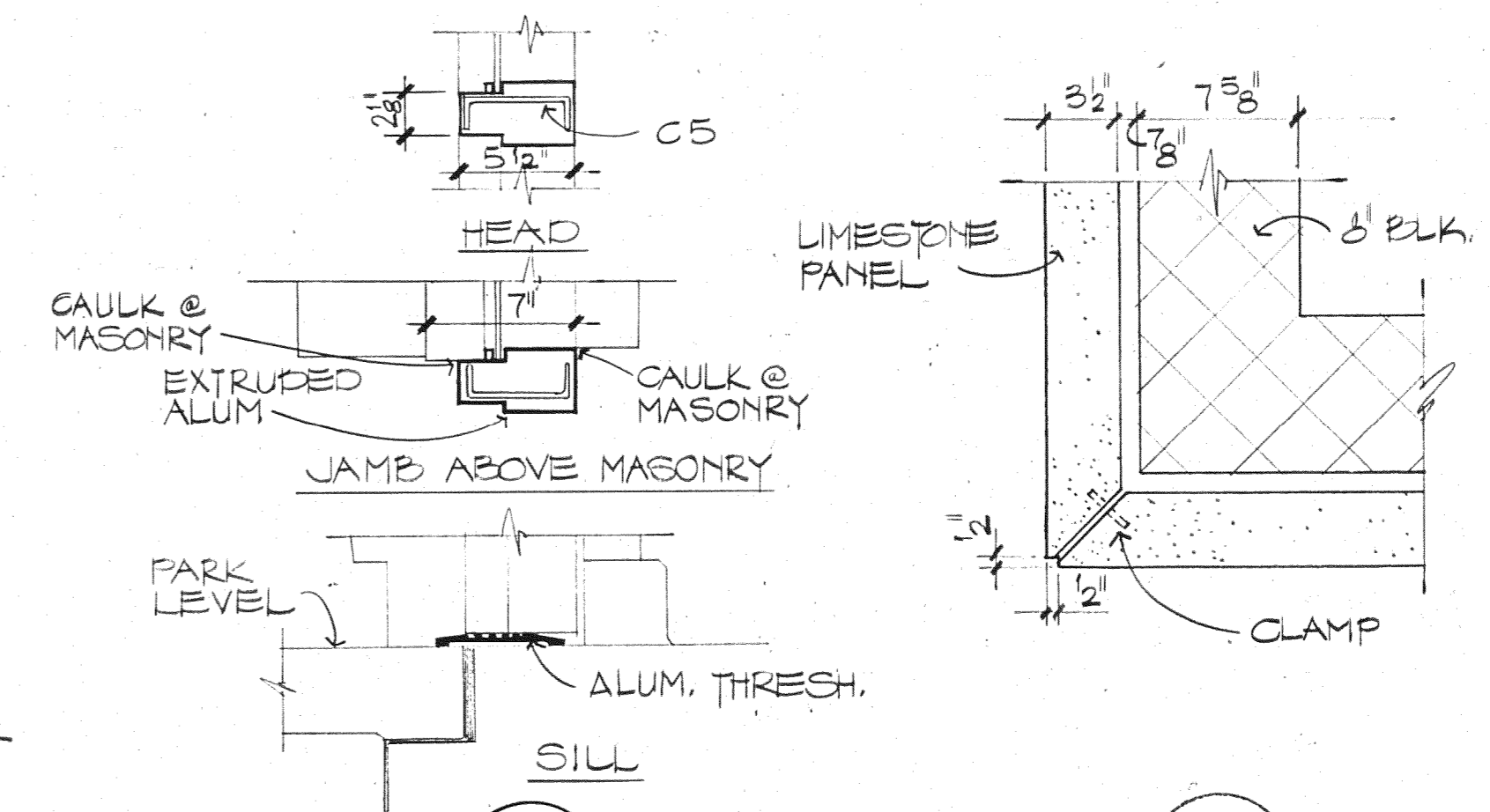
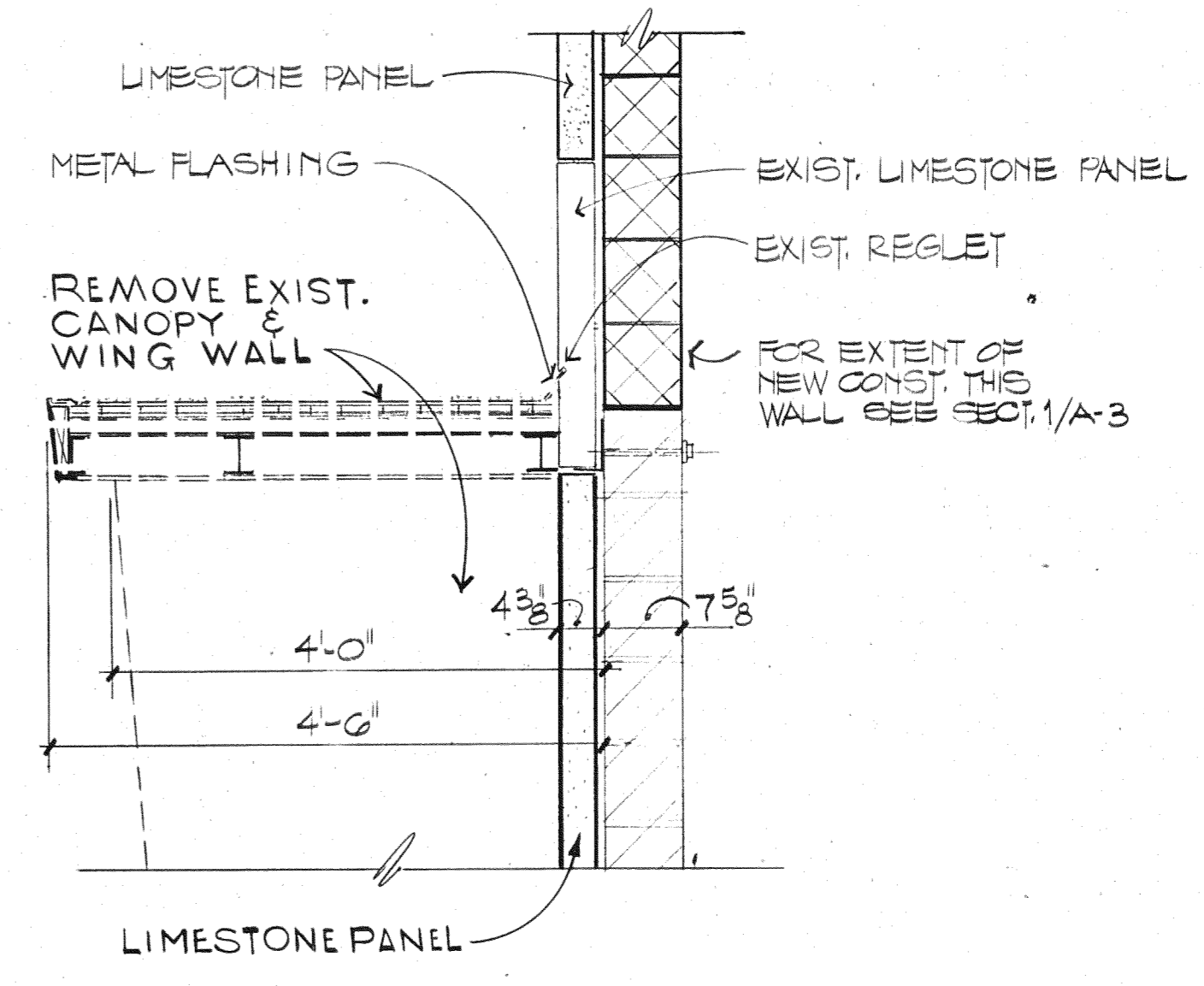
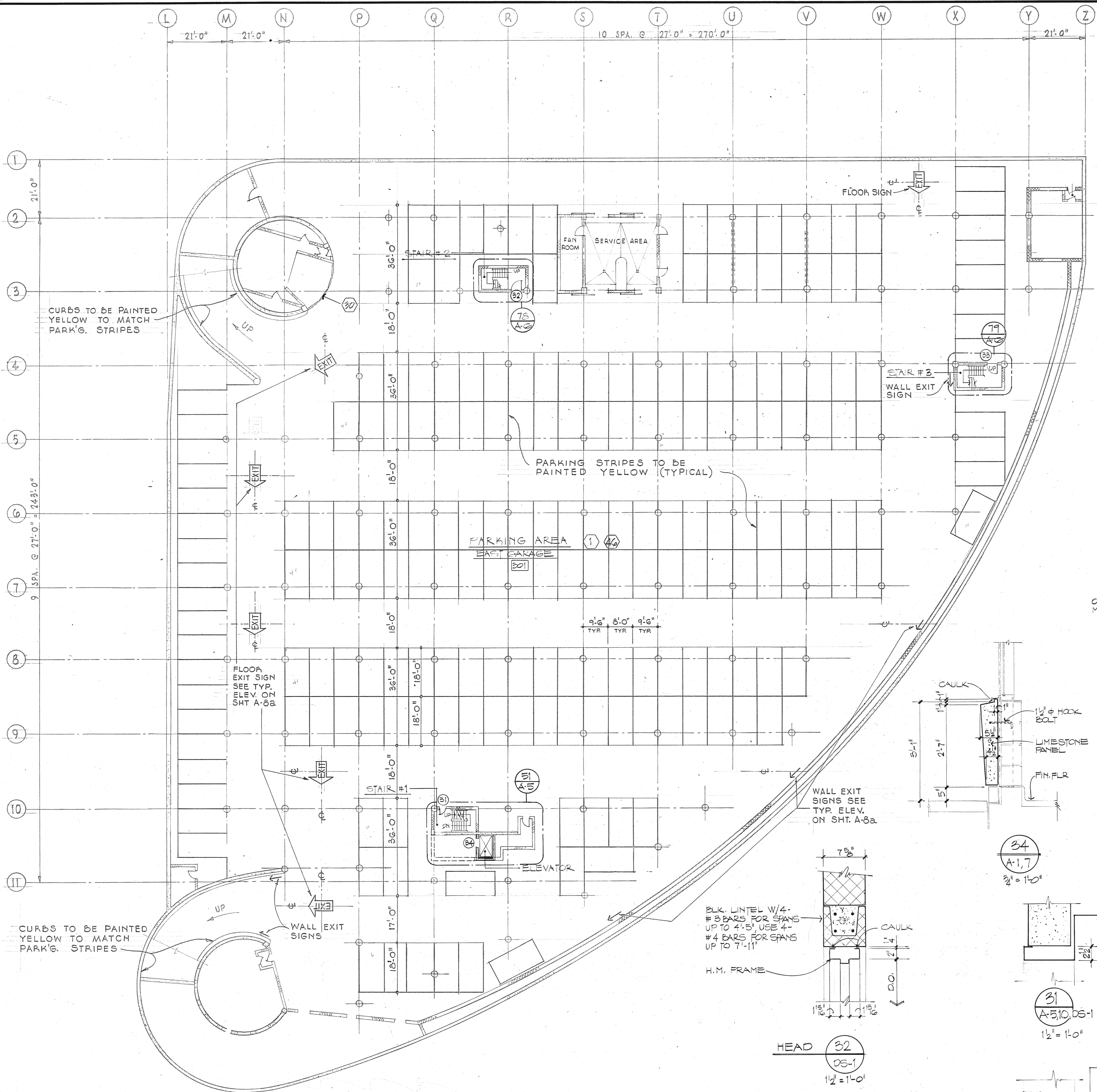
| Issue | Date | Issue for | Date | By | Bulletin |
|-------|------|-----------|------|----|----------|
| | | | | | |

Giffels Associates, Inc.
 Architects Engineers Planners
 25200 Telegraph Road
 P. O. Box 5025
 Southfield, Michigan 48037

Project Title
CITY OF DETROIT
GRAND CIRCUS PARK GARAGE RENOVATION

Sheet Title
THIRD SUB-FLOOR - EAST GARAGE - MISC. DETAILS

| North Symbol | Detail Symbol | Project No. | Sheet No. |
|--------------|---------------|-------------|-----------|
| | | 78218 | A-4 |



NOTES:
 - - - - - DEFINES DEMOLITION WORK
 ———— DEFINES NEW CONSTRUCTION
 ○ SEE SHT. DS-1 FOR LISTING OF RENOVATION WORK
 ———— DEFINES EXIST. CONSTRUCTION

TOTAL PARKING SPACES
 EAST GARAGE = 204

ALL WORK ON THIS
 DRAWING IS IN PHASE I
 EXCEPT FOR ITEMS NO.
 1 30 46

| Issue No. | Issue For | Date | Revision |
|-----------|-------------------------|------|----------|
| 3-B-82 | GEN. CONTR. BULL # 5F | | |
| 10-9-81 | GEN. CONTR. BULL # 5 | | |
| 7-80 | REBID ISSUE | | |
| 1-2-80 | BID ISSUE | | |
| 4-20-77 | GEN. CONTR. BIDS-SPECS. | | |
| 3-23-79 | OWNER APPROVAL | | |

| Project Director | Seal |
|-------------------|--------------|
| F.F. WIDRIG | |
| Project Architect | |
| J.E. PARKS | |
| Designed by | |
| E.B. PARKS | |
| Drawn by | |
| M.J. RBC | |
| Checked by | |
| J. PESAVEND | |
| Approved by | |
| <i>Alison</i> | |
| Scale | 1/2" = 1'-0" |
| Date | 4-20-79 |

Giffels Associates, Inc.
 Architects Engineers Planners

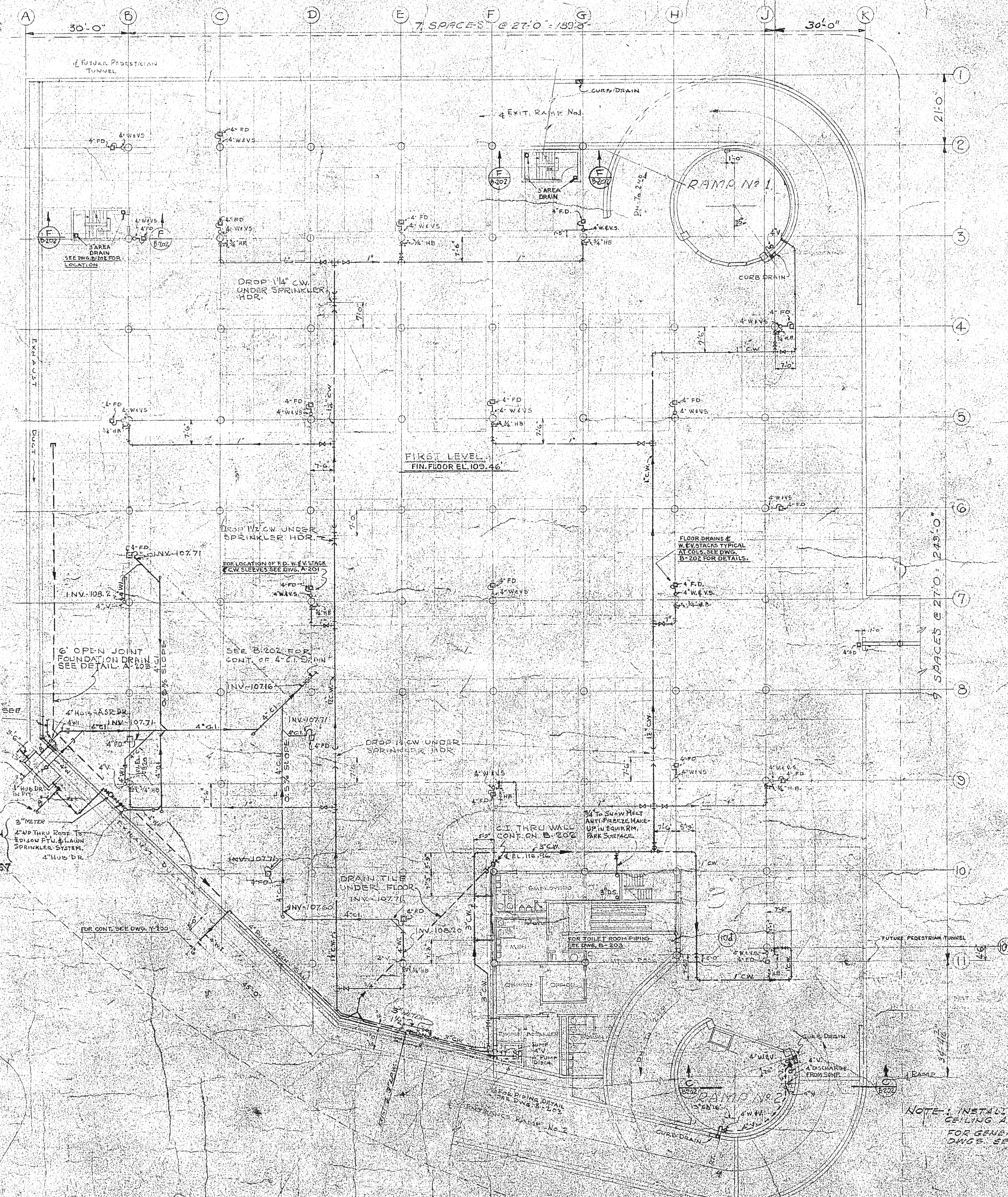
25200 Telegraph Road
 P. O. Box 5025
 Southfield, Michigan 48037

| Project Title | | |
|---|---------------|-----------------|
| CITY OF DETROIT | | |
| GRAND CIRCUS PARK GARAGE RENOVATION | | |
| Sheet Title | | |
| THIRD SUB-FLOOR - EAST GARAGE - MISC. DETAILS | | |
| North Symbol | Detail Symbol | Project No. |
| | | 78218 |
| Sheet No. | Detail No. | Reference Sheet |
| | | A-4a |

ADAMS AVE. WEST

REVISIONS

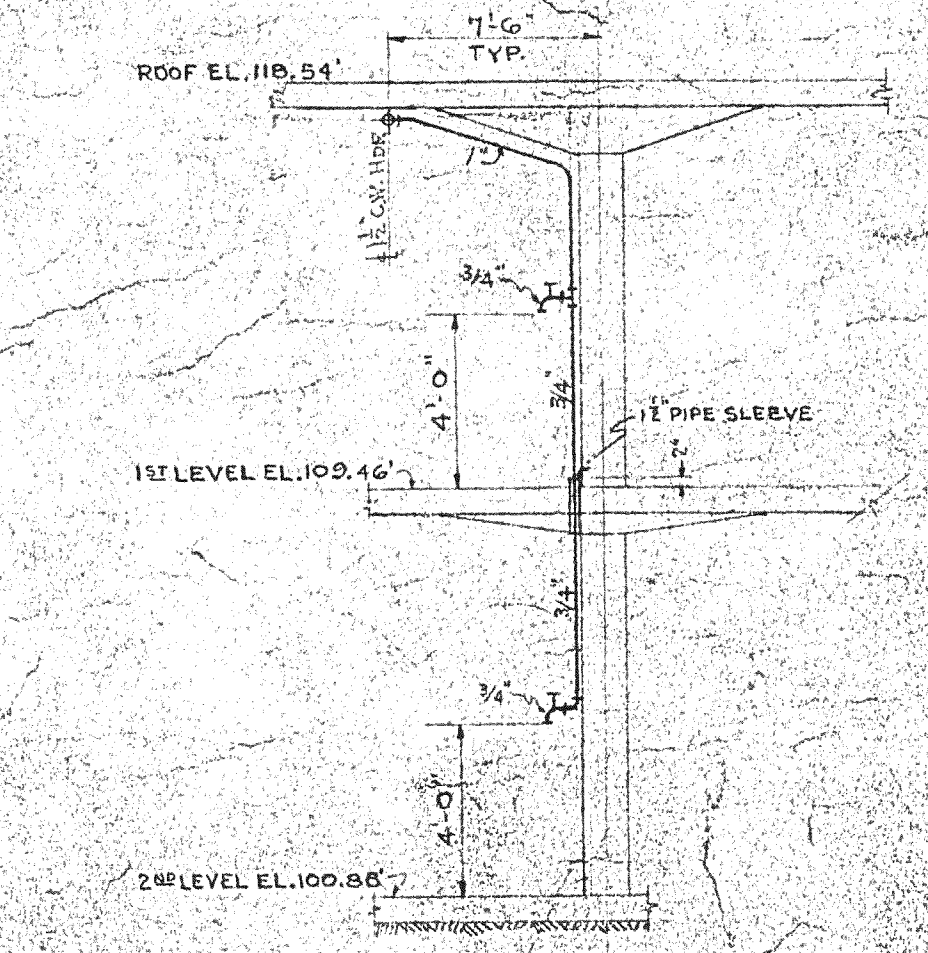
| | |
|---|--|
| 1 | ISSUED FOR CONSTRUCTION |
| 2 | ISSUES 7, 11, 13 & 15 CHANGED LOCATION OF CURTAIN WALL |
| 3 | NO. 20 ELICATED CITY WATER CONNECTION |
| 4 | 10-9-56 1027 |



BAGLEY

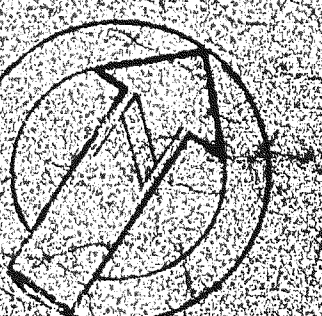
PARK

WOODWARD AVE.

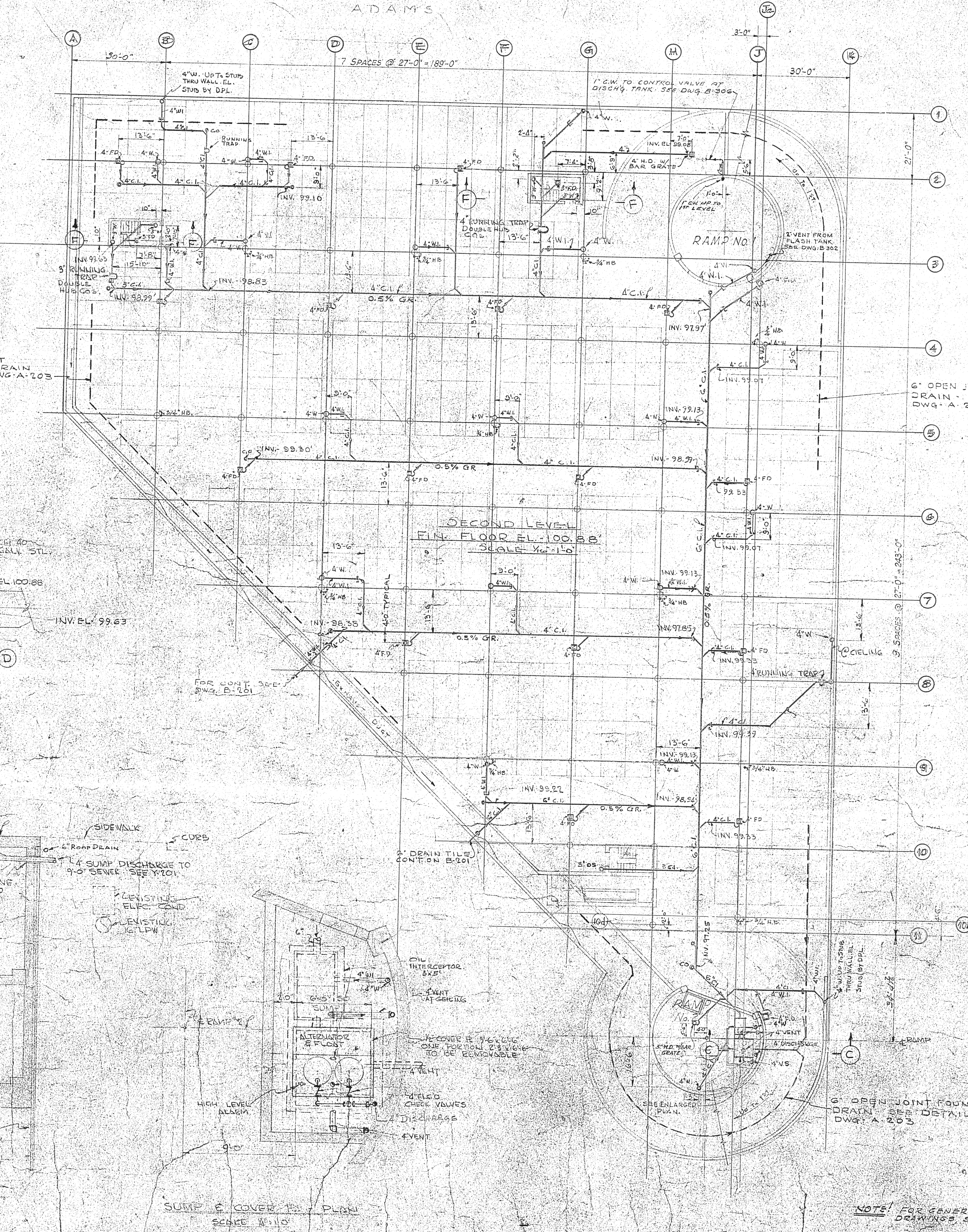
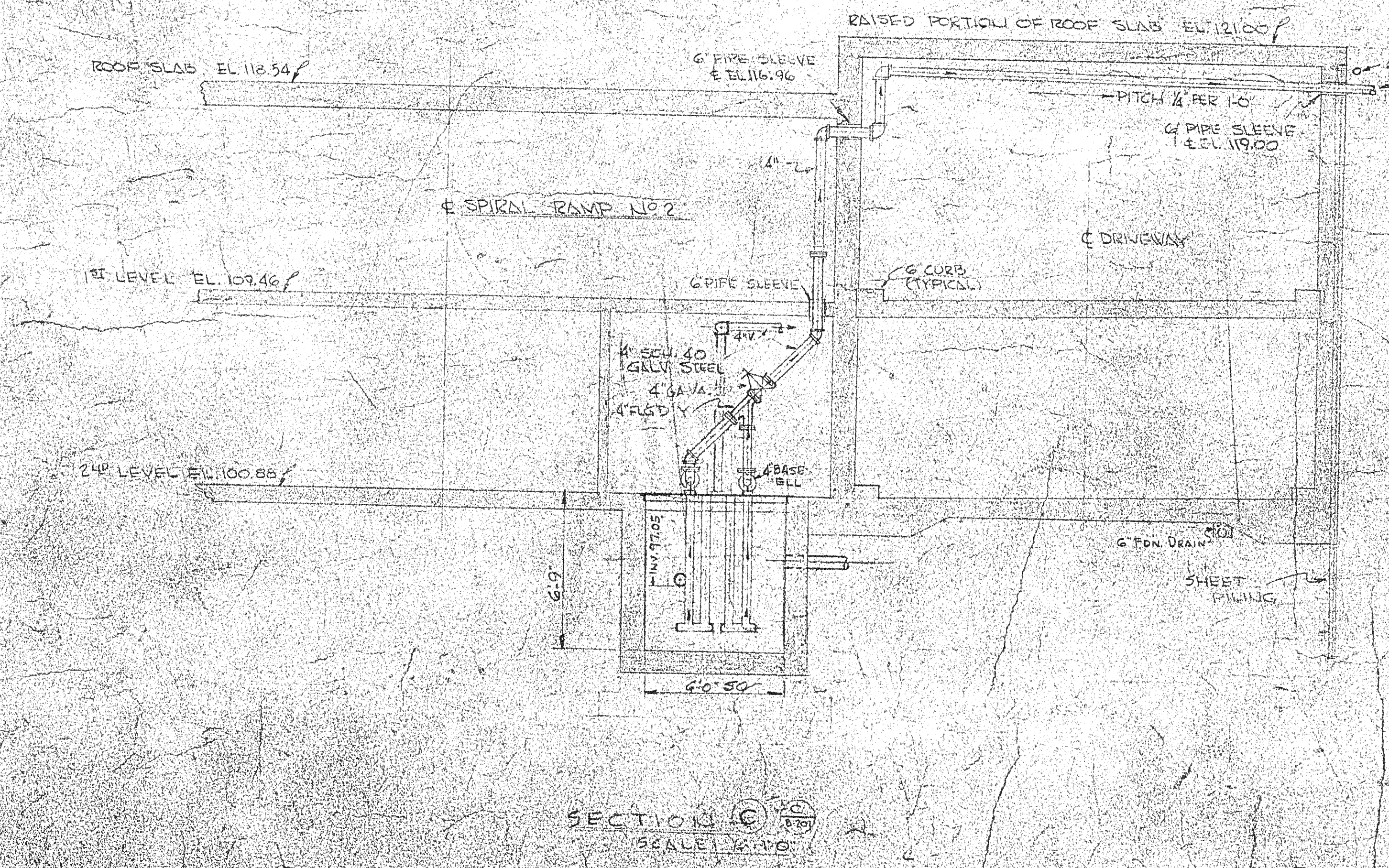
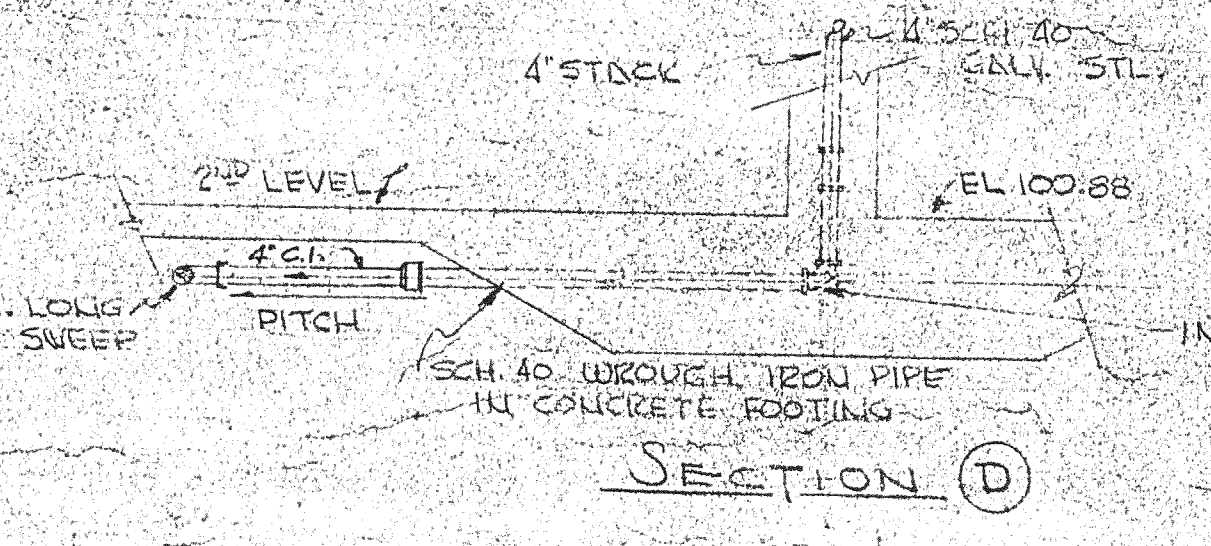
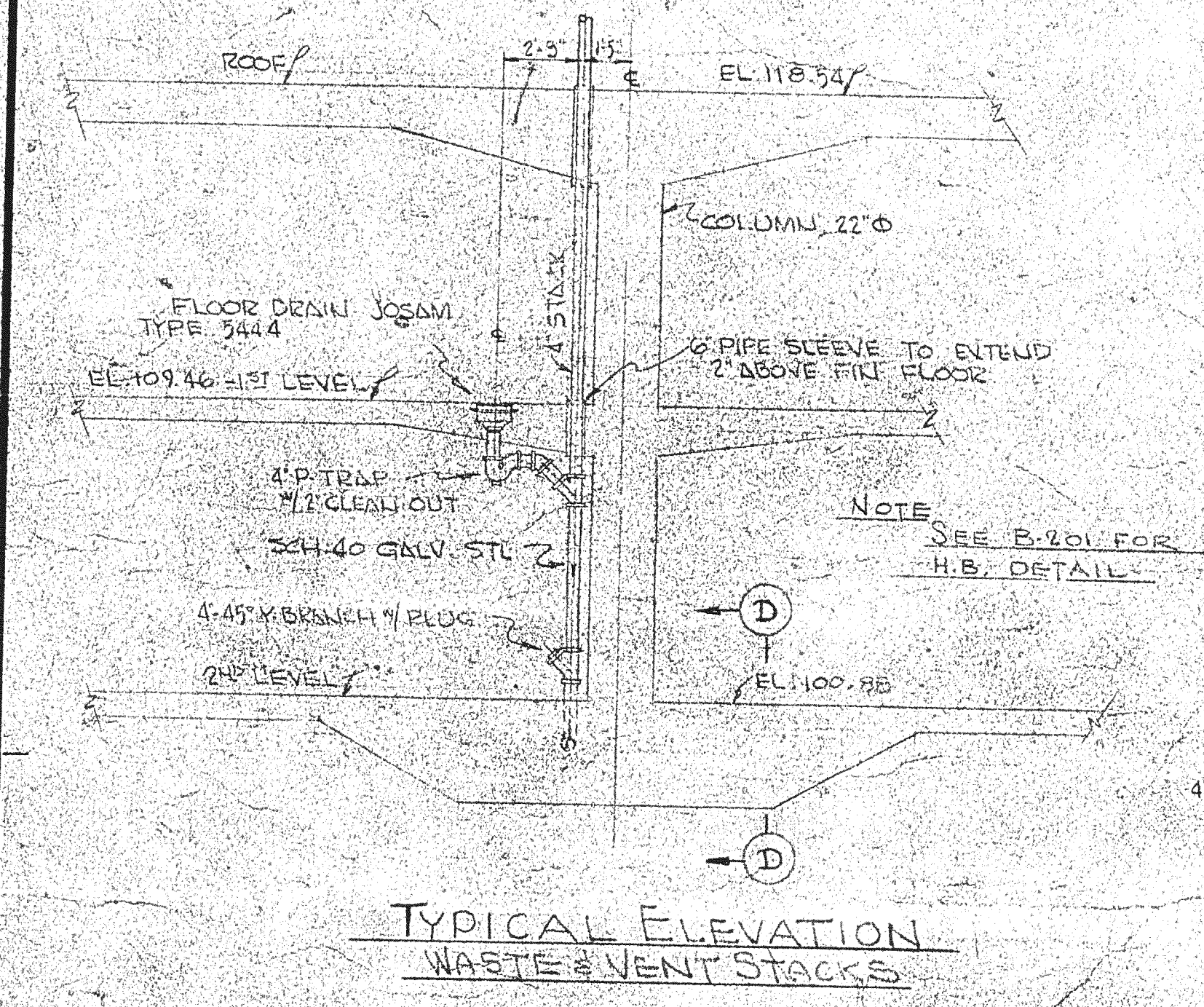
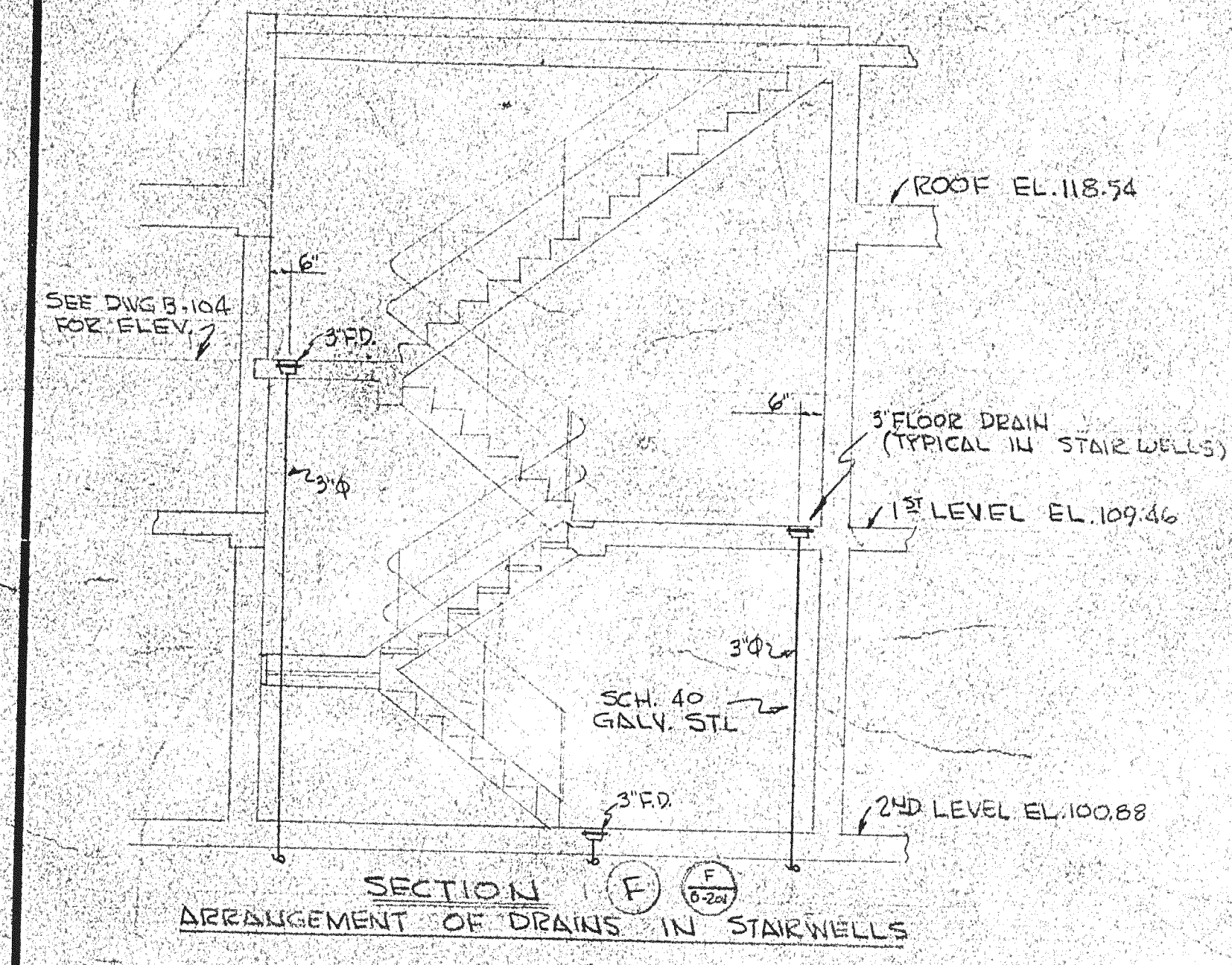


TYPICAL HOSE BIB RISER ELEVATION NOT TO SCALE

NOTE: INSTALL WATER PIPING AS CLOSE TO CEILING AS POSSIBLE FOR GENERAL NOTES & REFERENCE DWGS. SEE DWG. 5-200



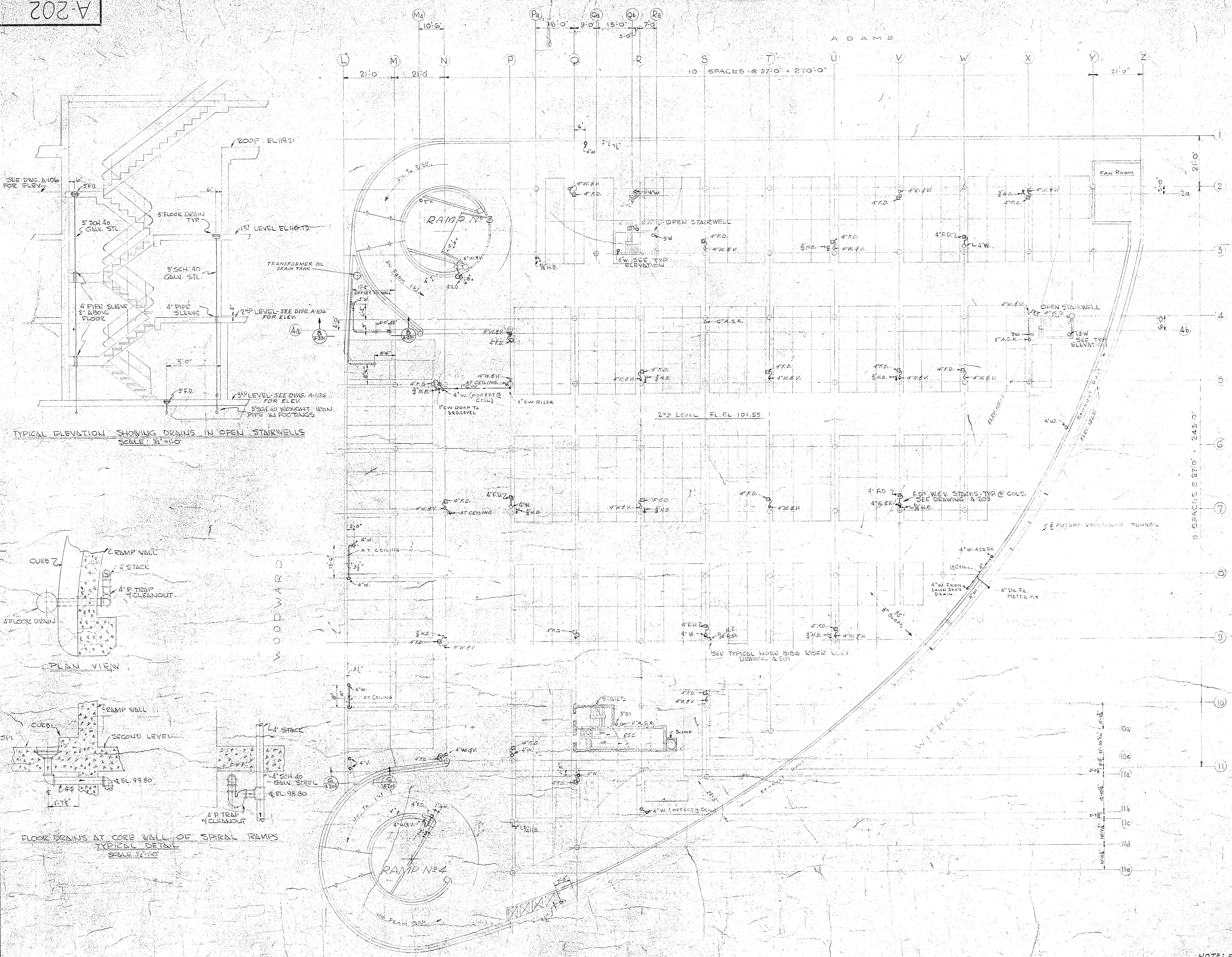
| | |
|-------------------------------------|------------------------------------|
| DRAWN BY | THE H. K. FERGUSON ENGINEERING CO. |
| CHECKED BY | ENGINEERS |
| TRACED BY | DETROIT, MICHIGAN |
| GRAND GRAND PARK UNDERGROUND GARAGE | |
| DETROIT, MICHIGAN | |



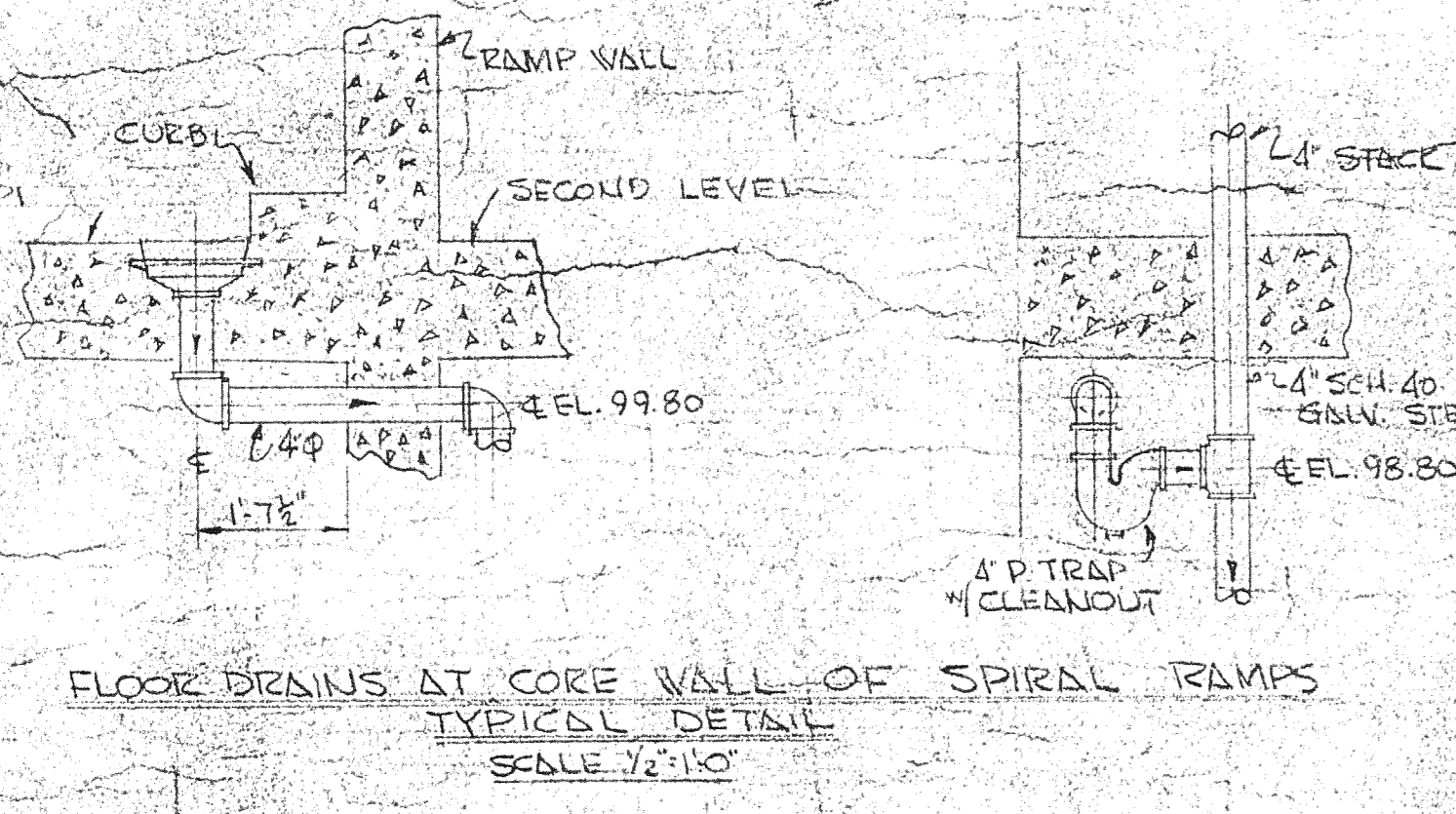
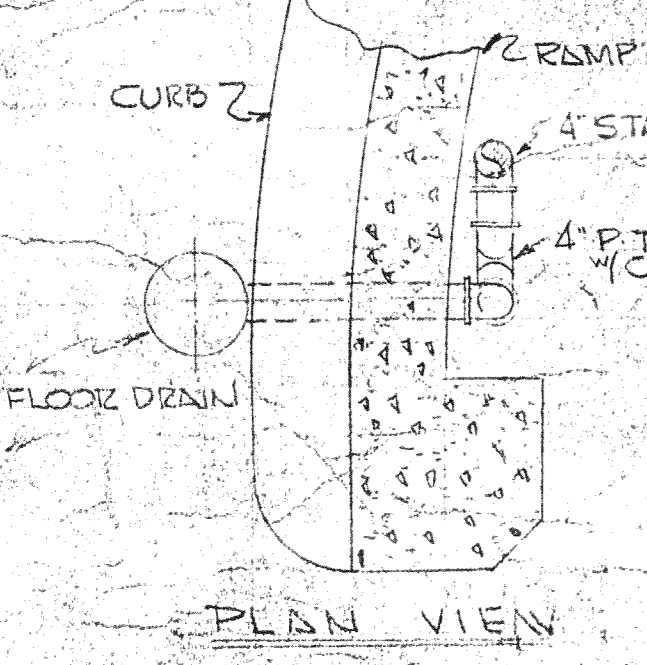
SUMP & COVER PLAN SCALE 1/4" = 1'-0"

NOTE: FOR GENERAL NOTES & REFERENCE DRAWINGS, SEE DWG. B-200

| | | |
|---|--|---|
| DRAWN BY W.L.F. | The H. K. Ferguson Engineering Co. ENGINEERS DETROIT, MICHIGAN | CONTRACT NUMBER 1746 |
| CHECKED BY W.L.F. | | PROJECT NUMBER B-202 |
| GRAND CIRCUS PARK UNDERGROUND GARAGE | | SCALE PLUMBING SECOND FLOOR PLAN - WEST GARAGE |

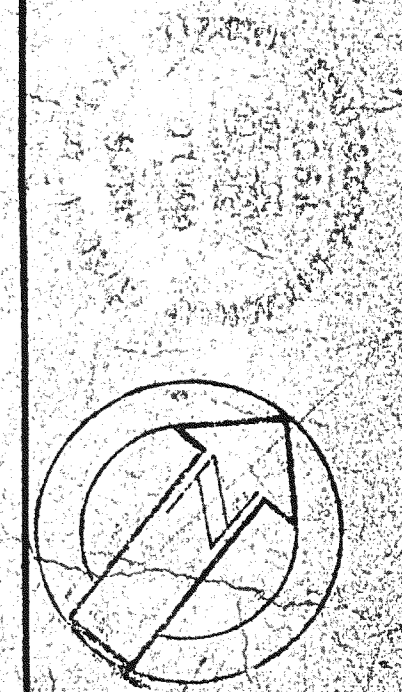


TYPICAL ELEVATION SHOWING DRAINS IN OPEN STAIRWELLS
SCALE: 1/4" = 1'-0"

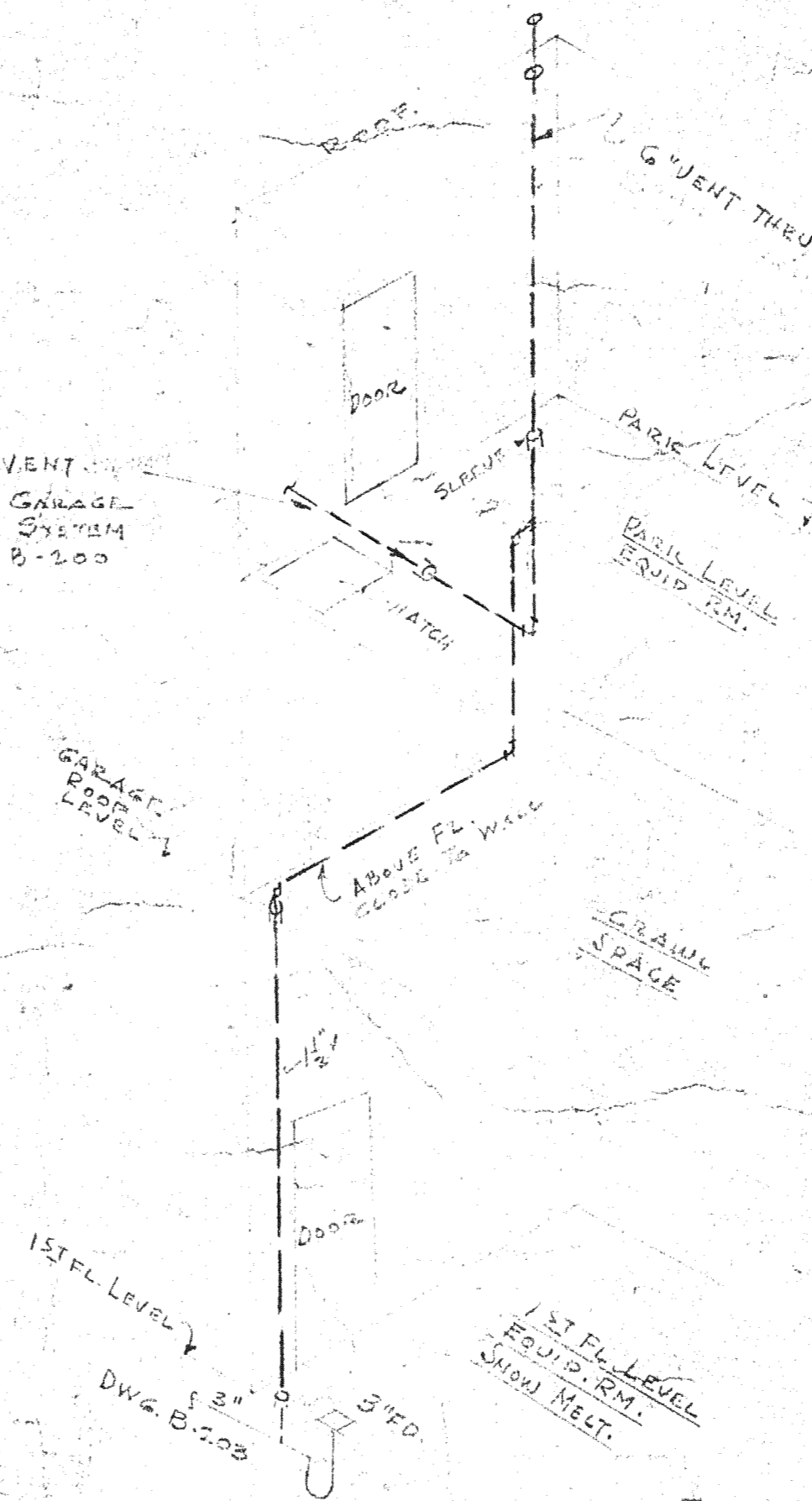
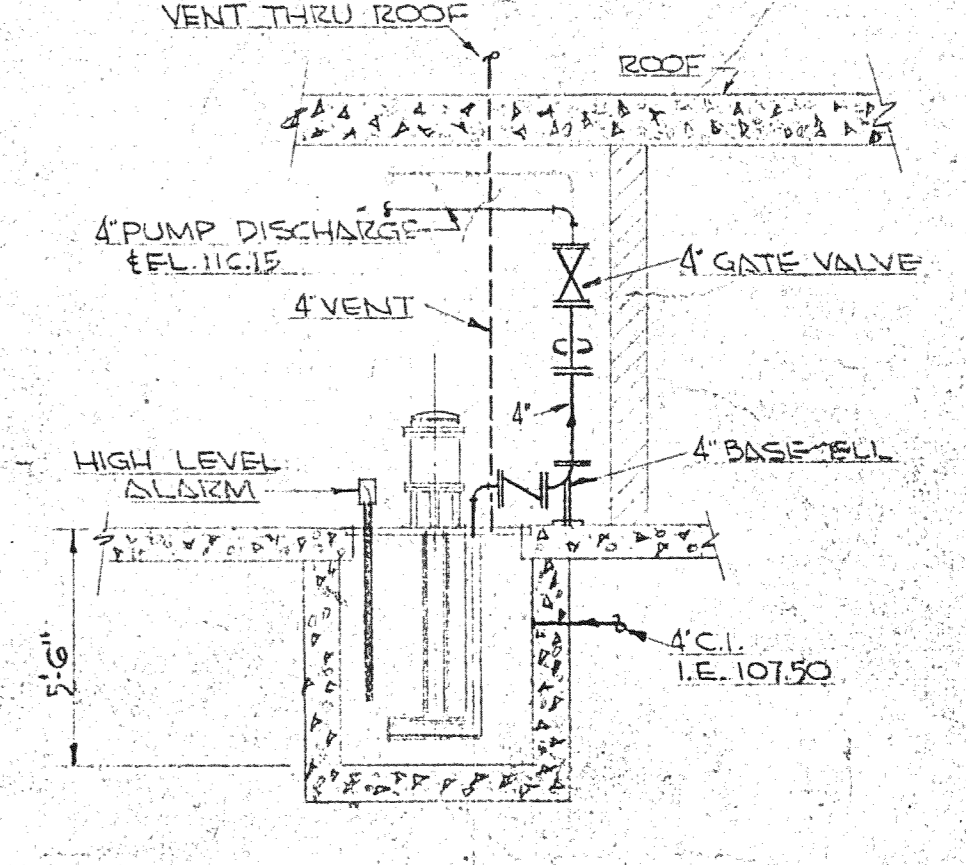
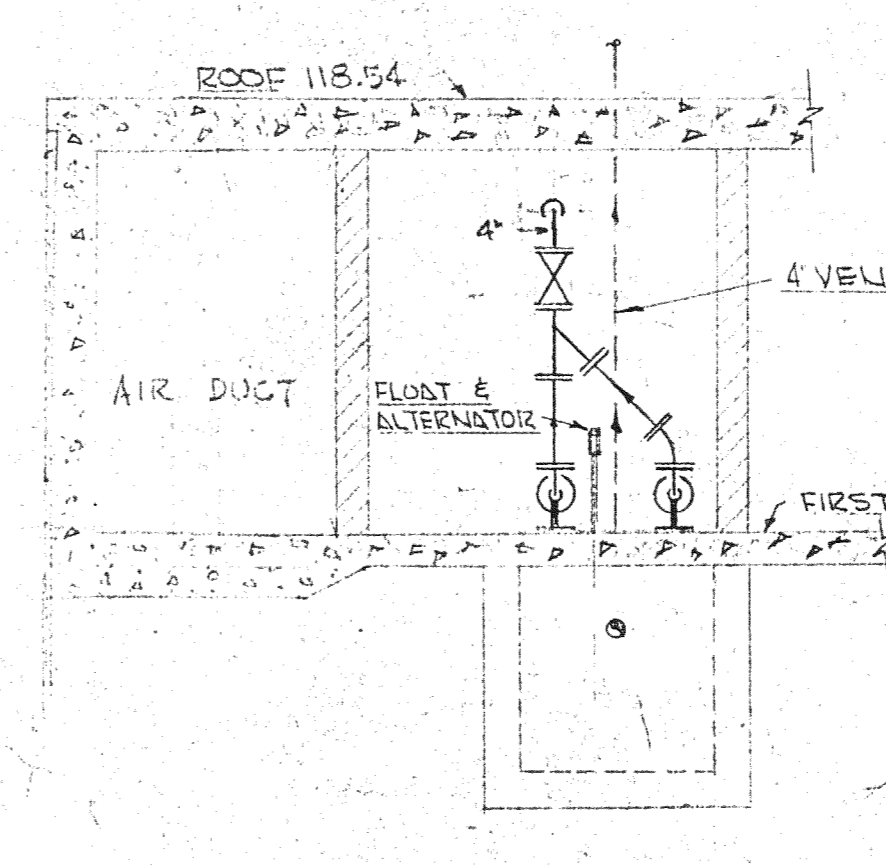
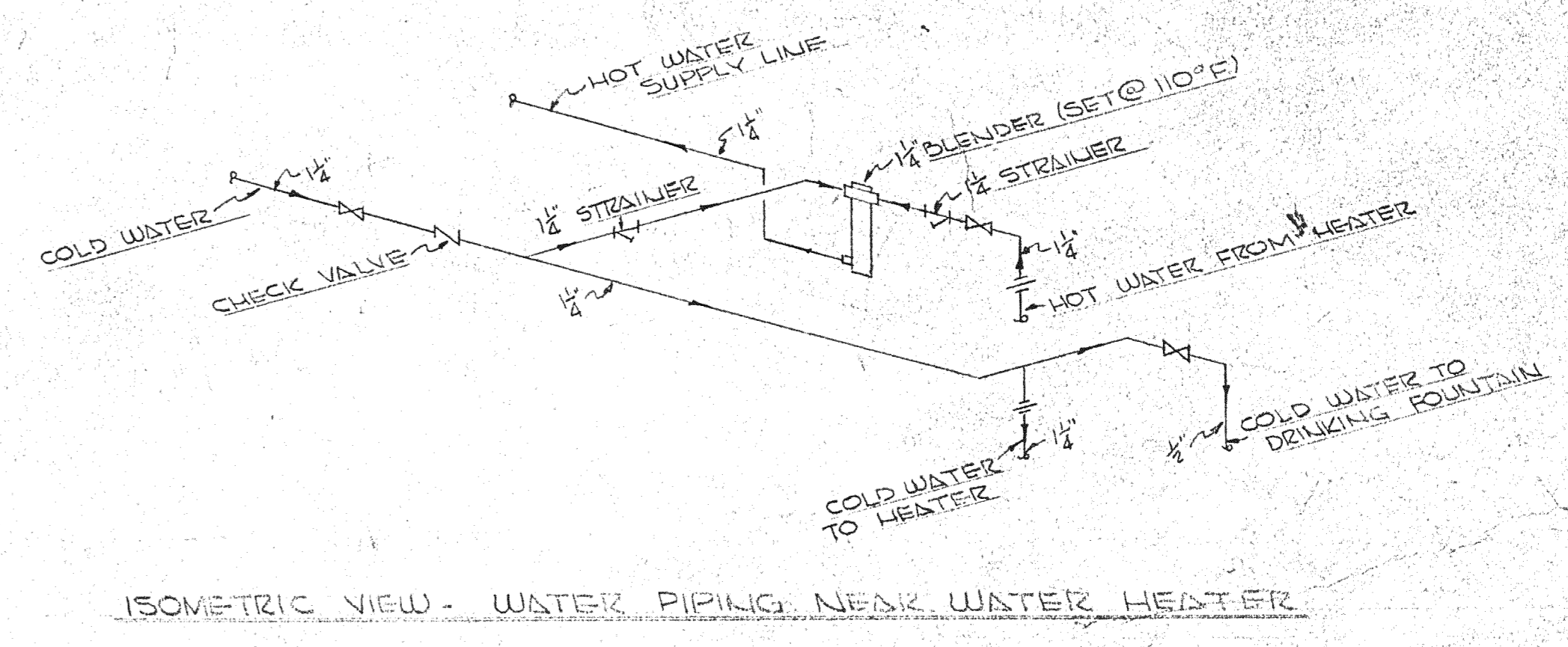
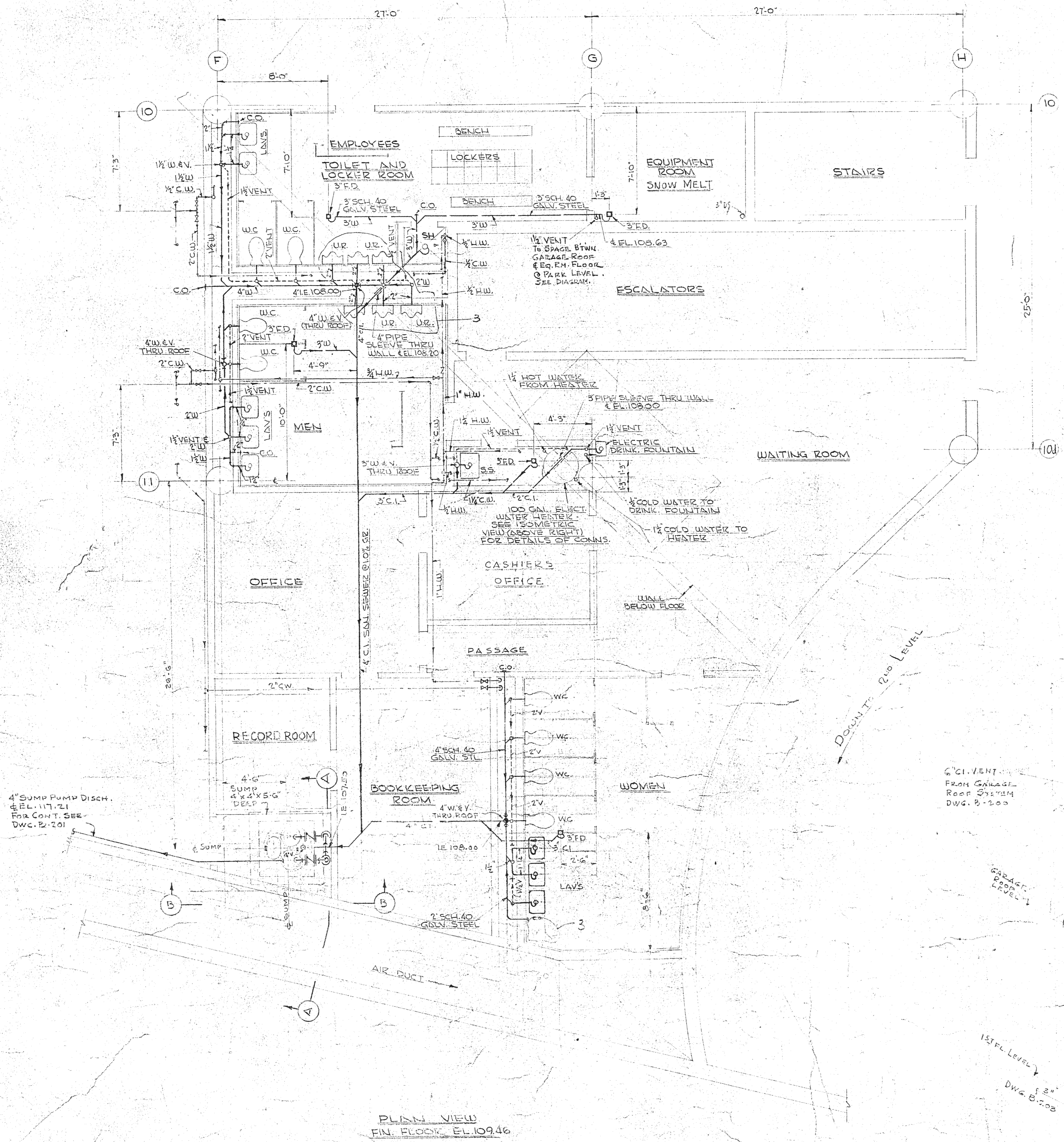


NOTE: FOR GENERAL NOTES & REFERENCE DWGS. SEE DWG. A-200

| | | |
|--|---|---|
| DRAWN BY CHECKED BY TRACED BY SCALE 1/4" = 1'-0" | The H. K. Ferguson Engineering Co. ENGINEERS DETROIT, MICHIGAN GRAND CIRCUS PARK UNDERGROUND GARAGE DETROIT, MICHIGAN PLUMBING SECOND FLOOR PLAN EAST GARAGE | CONTRACT NUMBER 746 SHEET NUMBER A-202 |
|--|---|---|



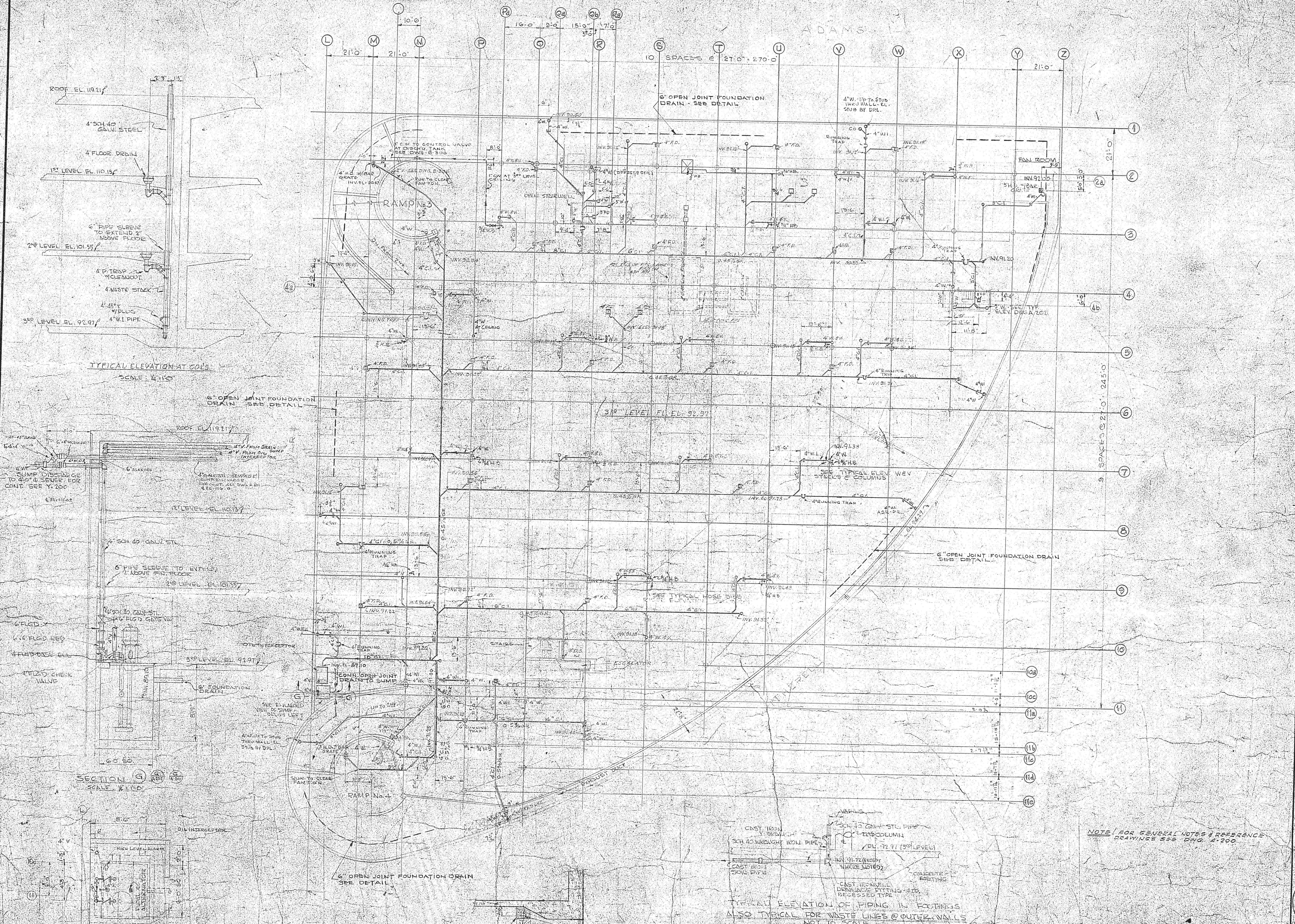
ISSUE No. 1 APR 11, 1955
 TO CITY OF DETROIT
 FOR CONSTRUCTION
 ISSUE No. 2 1-23-56
 CHANGED NOTE ON
 1/2" VENT LINE FOR
 EQ. RM. SNOW MELT
 ADDED 1/2" VENT
 PIPING DIAGRAM.
 ISSUE No. 3 3-11-56
 ADDED UNITS TO SAN
 TOILETS AND REVISED
 PIPING. REVISED 1
 1/2" VENT PIPING TO
 TOILET



NOTE FOR GENERAL NOTES & REFERENCE
 DWGS. SEE DWG. B-200

| | | |
|--------------------------------------|--|---------------------------------------|
| DRAWN BY G. VALLIS 3-23-55 | The H. K. Ferguson Engineering Co. ENGINEERS DETROIT, MICHIGAN | CONTRACT NUMBER 1746 |
| CHECKED BY W. C. H. J. 3-23-55 | | SHEET NUMBER B-203 |
| SCALE 1/4" = 1'-0" | GRAND CIRCUS PARK UNDERGROUND GARAGE DETROIT, MICHIGAN | PLUMBING TOILET DETAILS - WEST GARAGE |

| REVISIONS | |
|-----------|------------------------|
| 1 | ISSUE FOR CONSTRUCTION |
| 2 | FOR CONSTRUCTION |
| 3 | FOR CONSTRUCTION |
| 4 | FOR CONSTRUCTION |
| 5 | FOR CONSTRUCTION |
| 6 | FOR CONSTRUCTION |
| 7 | FOR CONSTRUCTION |
| 8 | FOR CONSTRUCTION |
| 9 | FOR CONSTRUCTION |
| 10 | FOR CONSTRUCTION |
| 11 | FOR CONSTRUCTION |
| 12 | FOR CONSTRUCTION |
| 13 | FOR CONSTRUCTION |
| 14 | FOR CONSTRUCTION |
| 15 | FOR CONSTRUCTION |
| 16 | FOR CONSTRUCTION |
| 17 | FOR CONSTRUCTION |
| 18 | FOR CONSTRUCTION |
| 19 | FOR CONSTRUCTION |
| 20 | FOR CONSTRUCTION |
| 21 | FOR CONSTRUCTION |
| 22 | FOR CONSTRUCTION |
| 23 | FOR CONSTRUCTION |
| 24 | FOR CONSTRUCTION |
| 25 | FOR CONSTRUCTION |
| 26 | FOR CONSTRUCTION |
| 27 | FOR CONSTRUCTION |
| 28 | FOR CONSTRUCTION |
| 29 | FOR CONSTRUCTION |
| 30 | FOR CONSTRUCTION |
| 31 | FOR CONSTRUCTION |
| 32 | FOR CONSTRUCTION |
| 33 | FOR CONSTRUCTION |
| 34 | FOR CONSTRUCTION |
| 35 | FOR CONSTRUCTION |
| 36 | FOR CONSTRUCTION |
| 37 | FOR CONSTRUCTION |
| 38 | FOR CONSTRUCTION |
| 39 | FOR CONSTRUCTION |
| 40 | FOR CONSTRUCTION |
| 41 | FOR CONSTRUCTION |
| 42 | FOR CONSTRUCTION |
| 43 | FOR CONSTRUCTION |
| 44 | FOR CONSTRUCTION |
| 45 | FOR CONSTRUCTION |
| 46 | FOR CONSTRUCTION |
| 47 | FOR CONSTRUCTION |
| 48 | FOR CONSTRUCTION |
| 49 | FOR CONSTRUCTION |
| 50 | FOR CONSTRUCTION |
| 51 | FOR CONSTRUCTION |
| 52 | FOR CONSTRUCTION |
| 53 | FOR CONSTRUCTION |
| 54 | FOR CONSTRUCTION |
| 55 | FOR CONSTRUCTION |
| 56 | FOR CONSTRUCTION |
| 57 | FOR CONSTRUCTION |
| 58 | FOR CONSTRUCTION |
| 59 | FOR CONSTRUCTION |
| 60 | FOR CONSTRUCTION |
| 61 | FOR CONSTRUCTION |
| 62 | FOR CONSTRUCTION |
| 63 | FOR CONSTRUCTION |
| 64 | FOR CONSTRUCTION |
| 65 | FOR CONSTRUCTION |
| 66 | FOR CONSTRUCTION |
| 67 | FOR CONSTRUCTION |
| 68 | FOR CONSTRUCTION |
| 69 | FOR CONSTRUCTION |
| 70 | FOR CONSTRUCTION |
| 71 | FOR CONSTRUCTION |
| 72 | FOR CONSTRUCTION |
| 73 | FOR CONSTRUCTION |
| 74 | FOR CONSTRUCTION |
| 75 | FOR CONSTRUCTION |
| 76 | FOR CONSTRUCTION |
| 77 | FOR CONSTRUCTION |
| 78 | FOR CONSTRUCTION |
| 79 | FOR CONSTRUCTION |
| 80 | FOR CONSTRUCTION |
| 81 | FOR CONSTRUCTION |
| 82 | FOR CONSTRUCTION |
| 83 | FOR CONSTRUCTION |
| 84 | FOR CONSTRUCTION |
| 85 | FOR CONSTRUCTION |
| 86 | FOR CONSTRUCTION |
| 87 | FOR CONSTRUCTION |
| 88 | FOR CONSTRUCTION |
| 89 | FOR CONSTRUCTION |
| 90 | FOR CONSTRUCTION |
| 91 | FOR CONSTRUCTION |
| 92 | FOR CONSTRUCTION |
| 93 | FOR CONSTRUCTION |
| 94 | FOR CONSTRUCTION |
| 95 | FOR CONSTRUCTION |
| 96 | FOR CONSTRUCTION |
| 97 | FOR CONSTRUCTION |
| 98 | FOR CONSTRUCTION |
| 99 | FOR CONSTRUCTION |
| 100 | FOR CONSTRUCTION |



TYPICAL ELEVATION AT COL'S
SCALE: 1/4"=1'-0"

SECTION G
SCALE: 1/4"=1'-0"

PLAN VIEW AT SUMP
SCALE: 1/4"=1'-0"

TYPICAL SECTION FOUNDATION DRAIN

TYPICAL ELEVATION OF PIPING IN FOOTINGS
ALSO TYPICAL FOR WASTE LINES @ OUTER WALLS
NOT TO SCALE

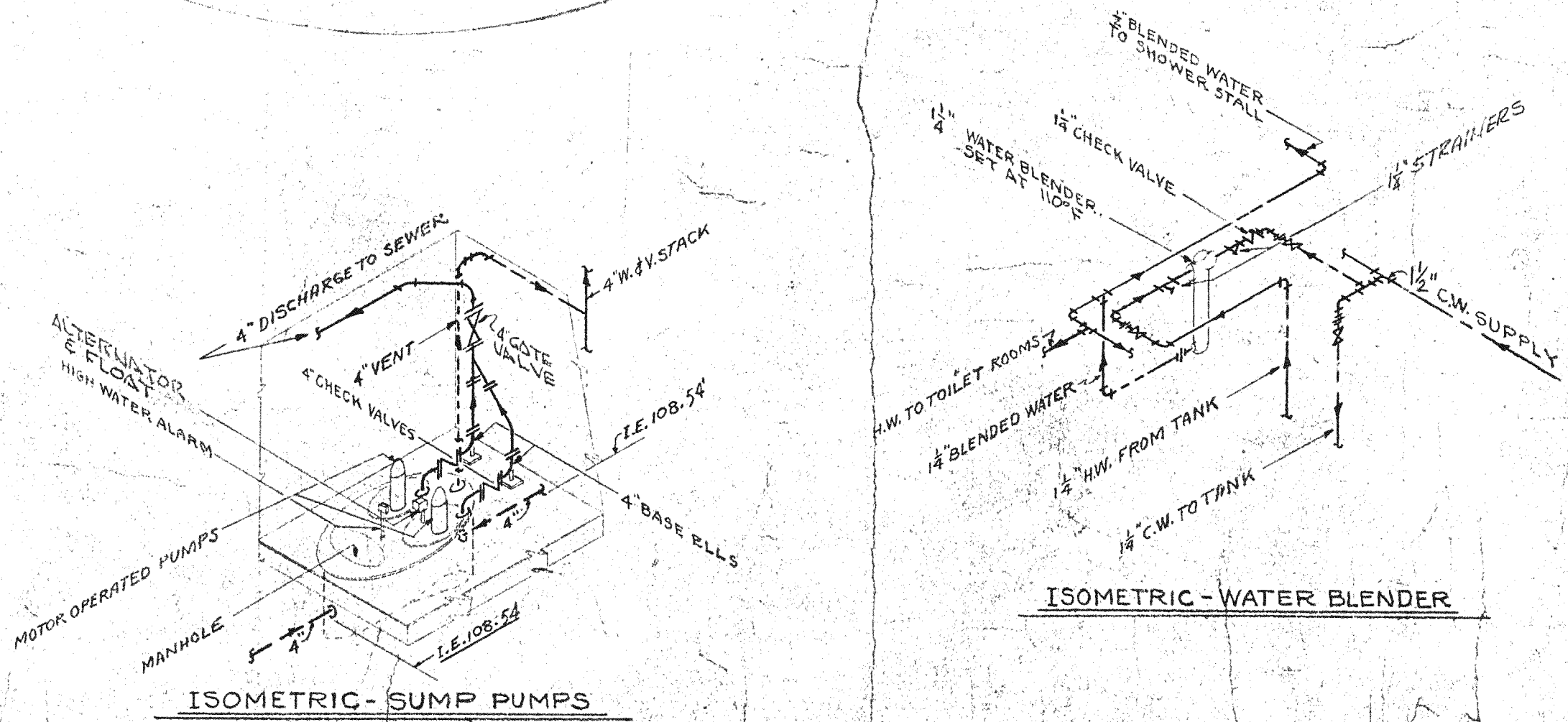
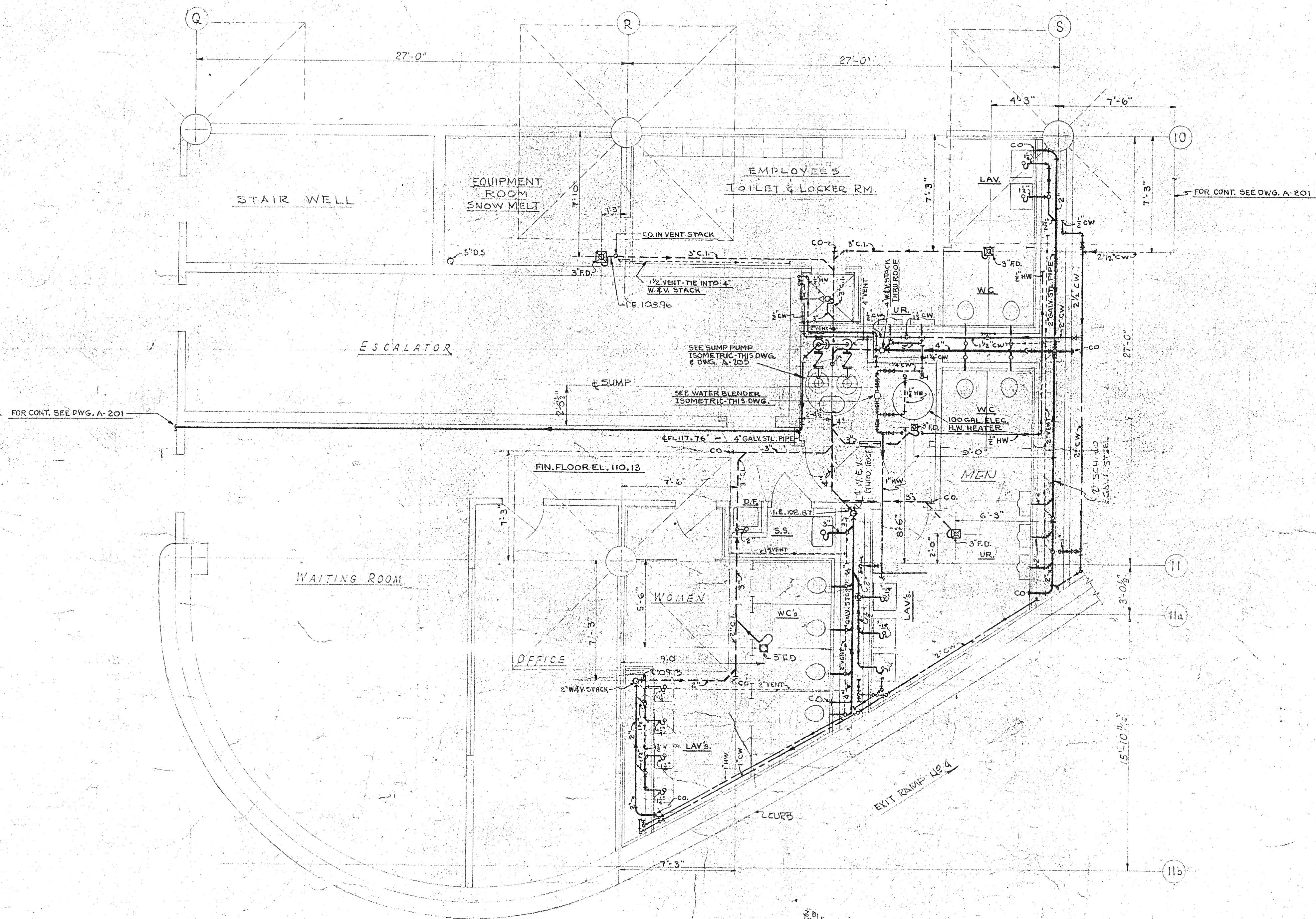
NOTE: FOR GENERAL NOTES & REFERENCE DRAWINGS SEE DRAWING A-200

The H. K. Ferguson Engineering Co.
ENGINEERS
DETROIT, MICHIGAN

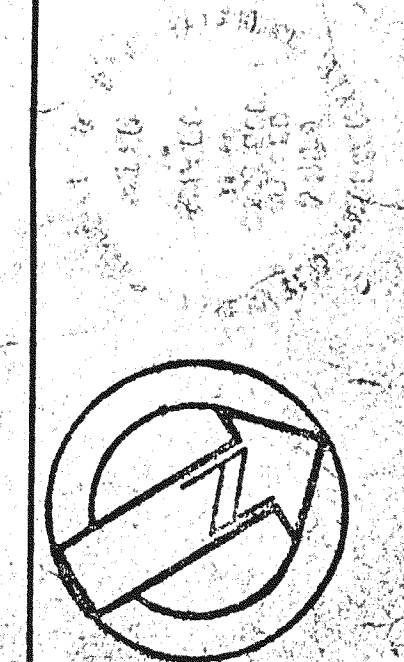
CONTRACT NUMBER: 1746
SHEET NUMBER: 17

**GRAND CIRCUS PARK
UNDERGROUND GARAGE**
DETROIT, MICHIGAN

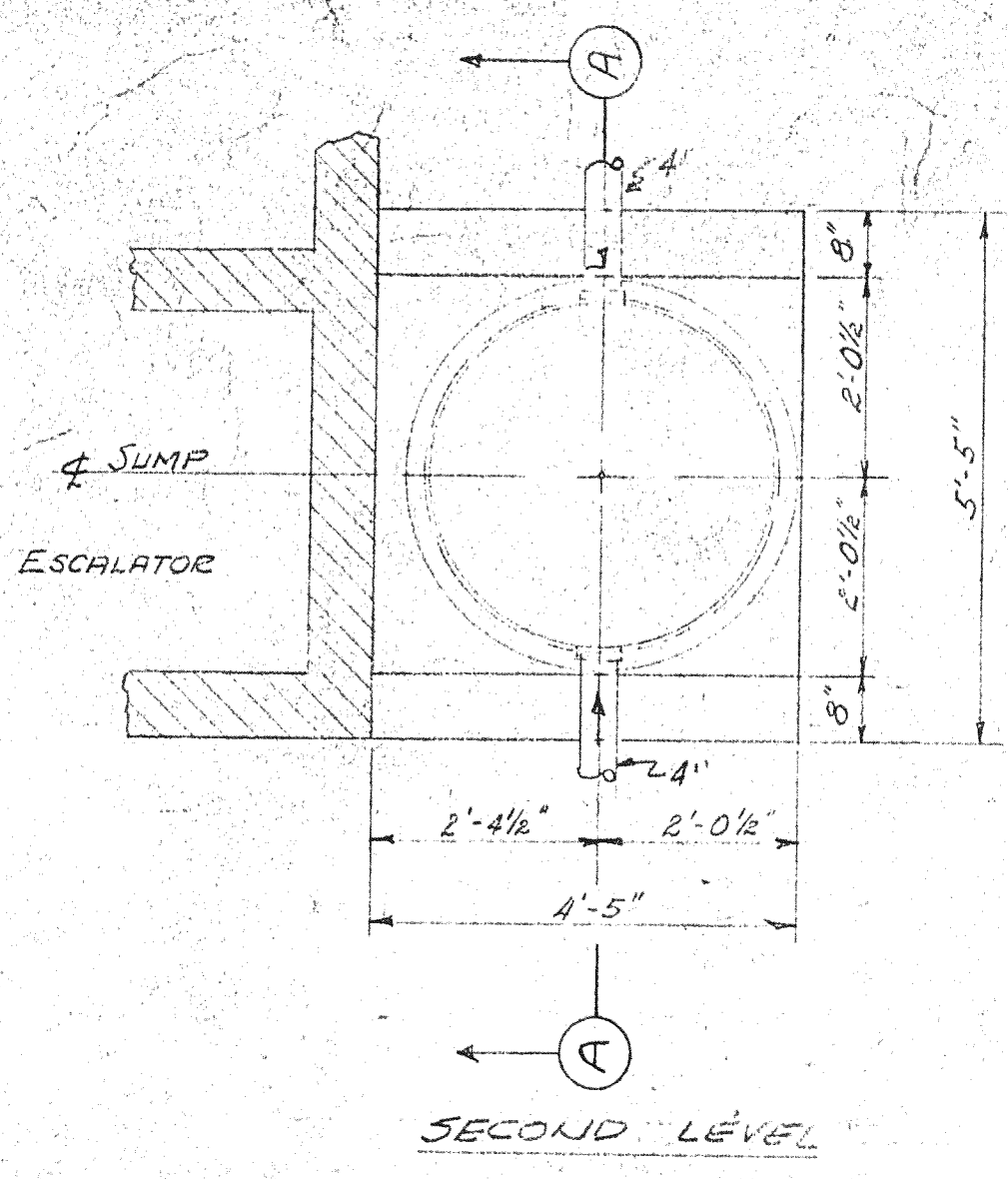
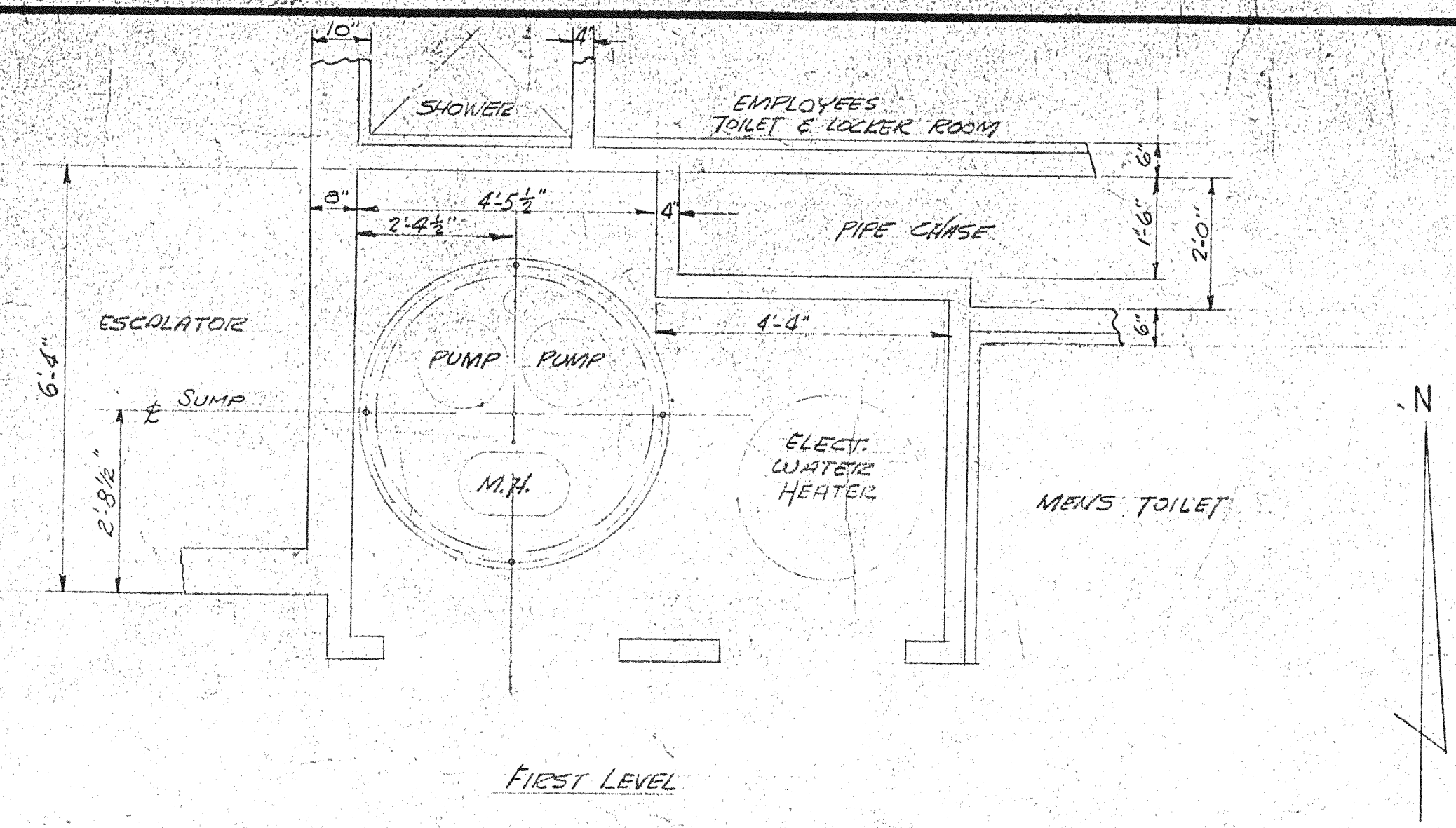
DRAWN BY: [Name]
CHECKED BY: [Name]
SCALE: 1/4"=1'-0"



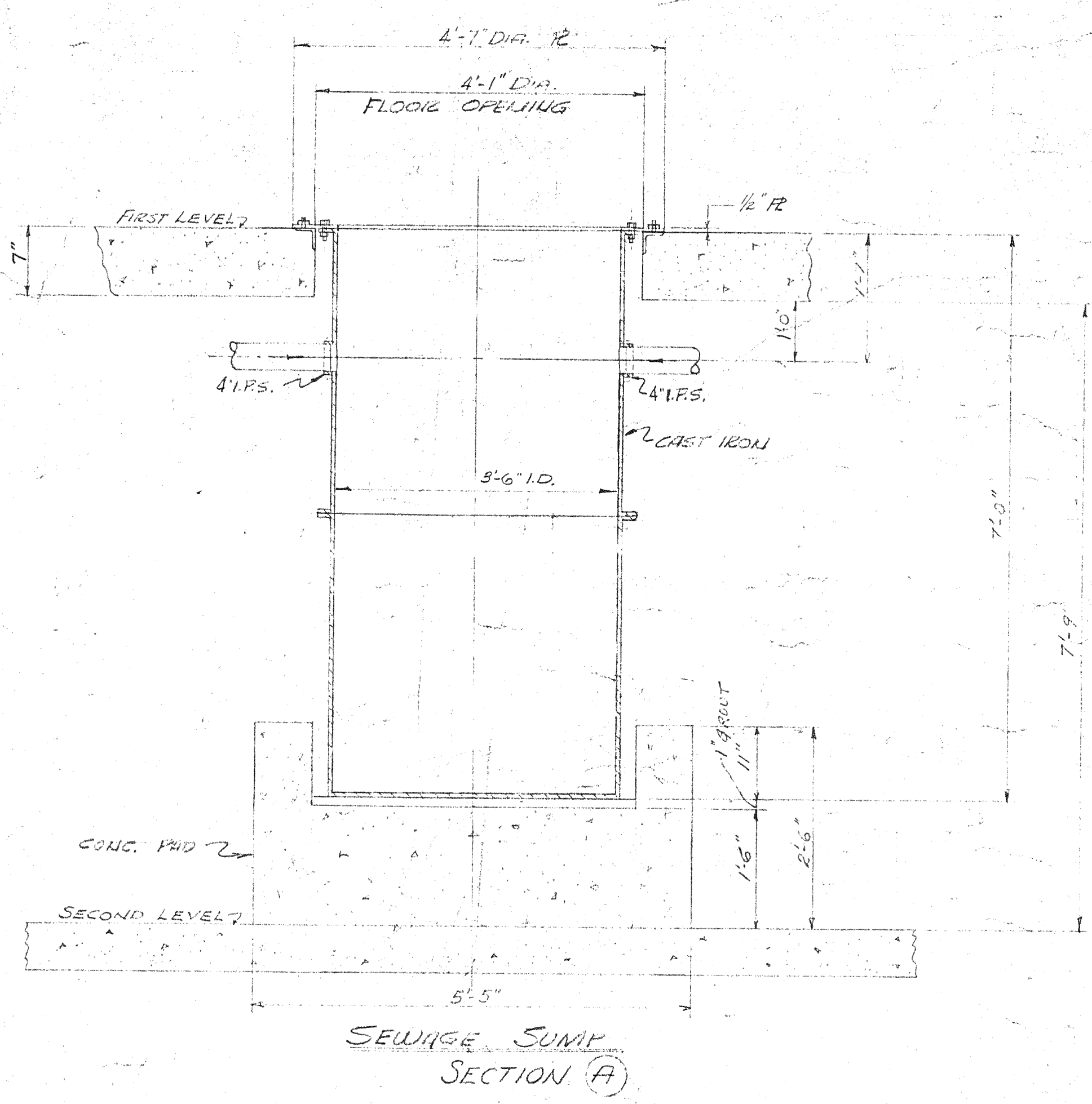
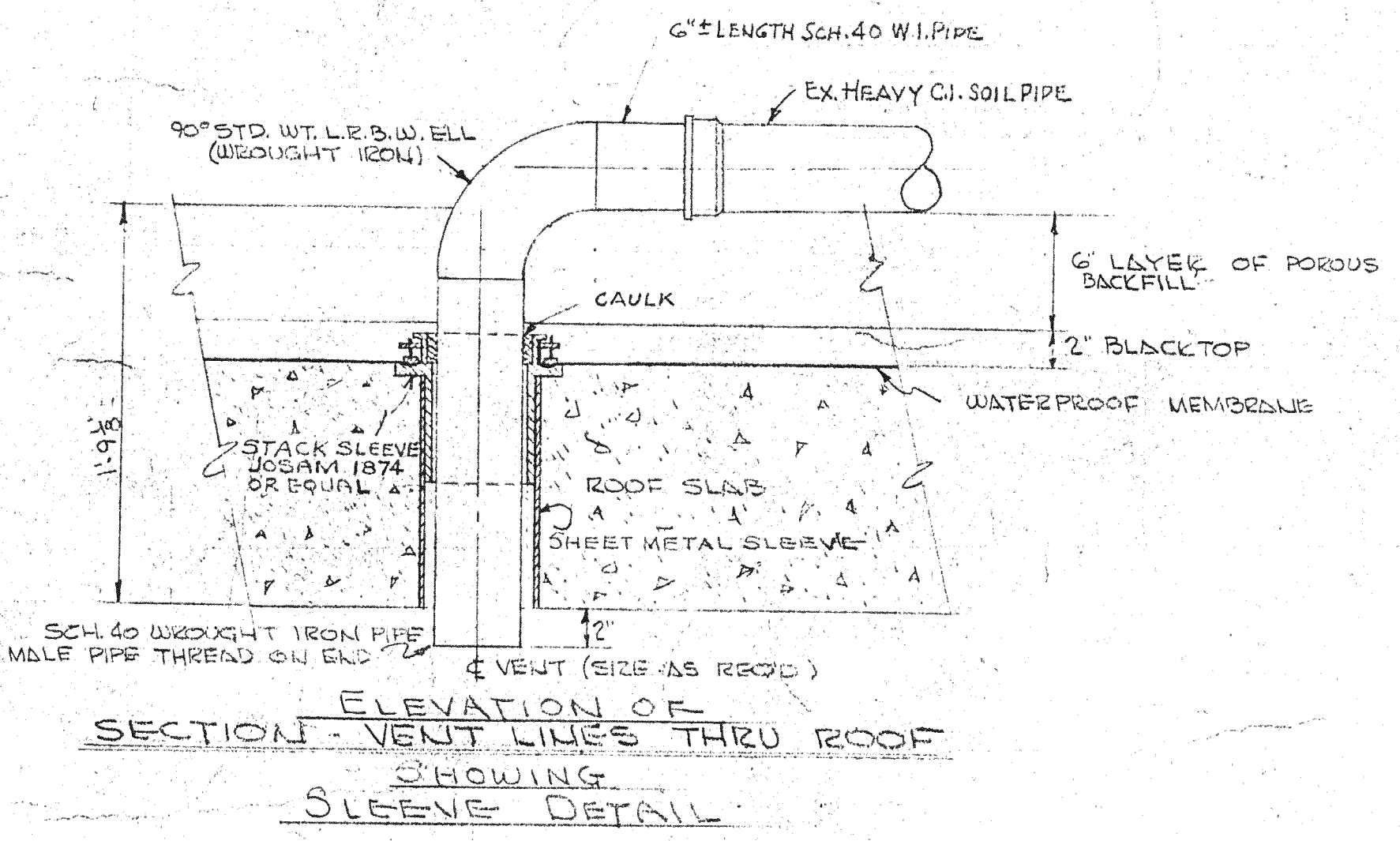
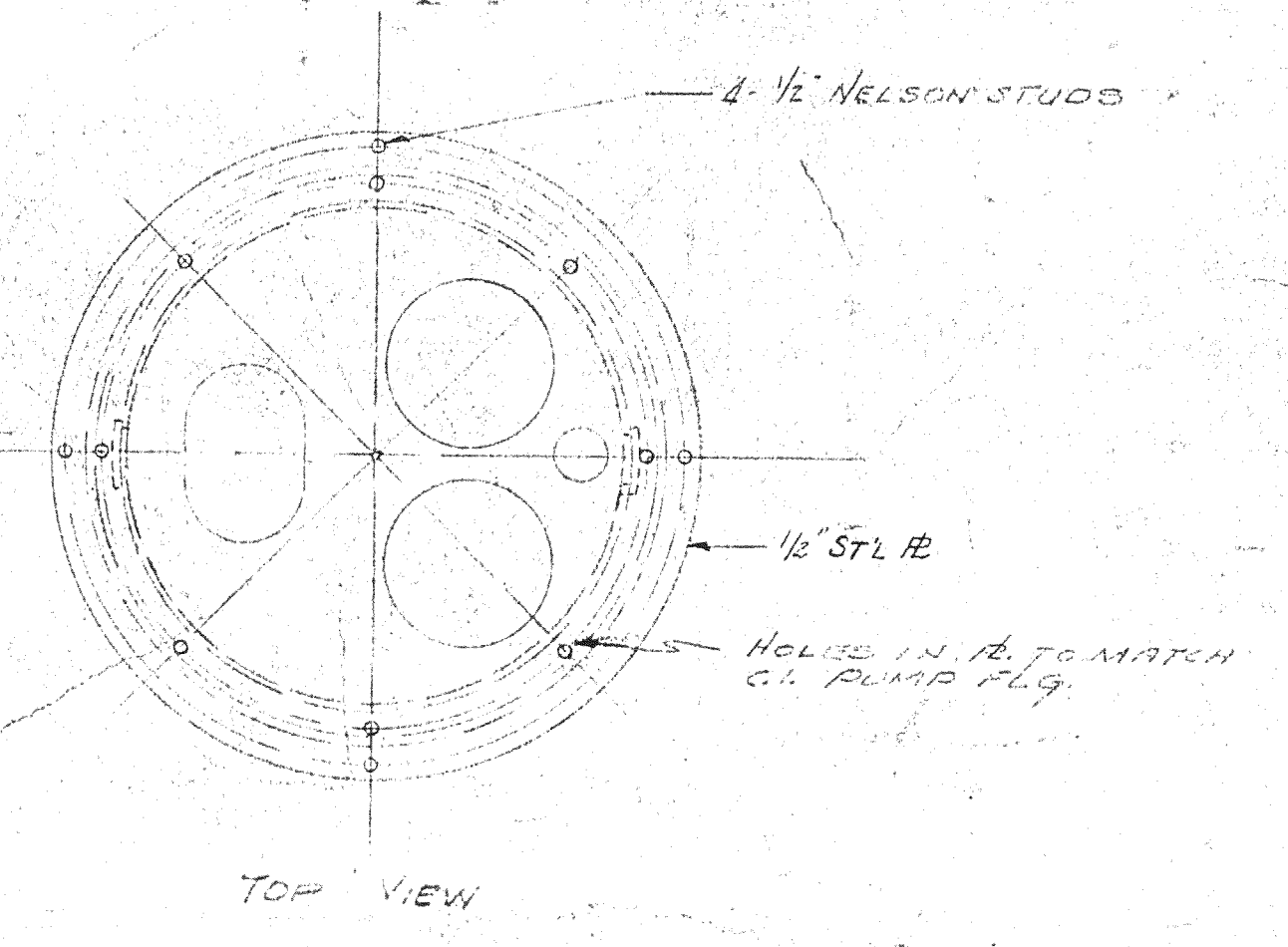
NOTE: FOR GENERAL NOTES & REFERENCE DWGS. SEE DRAWING A-200



| | | |
|---|---|-------------------------|
| DRAWN BY S.W. WITTING FEB 1, 1955 | The H. K. Ferguson Engineering Co. ENGINEERS DETROIT, MICHIGAN | CONTRACT NUMBER 1746 |
| CHECKED BY W.L.N. G.T.S. | | SHEET NUMBER A-204 |
| SCALE AS SHOWN | GRAND CIRCUS PARK UNDERGROUND GARAGE DETROIT, MICHIGAN PLUMBING - TOILET DETAILS - EAST GARAGE | |



LOCATION PLAN
SCALE 1/4" = 1'-0"



NOTE: FOR GENERAL NOTES & REFERENCE DWGS. SEE DWG. A-200

| REVISIONS |
|---|
| ISSUE NO. 1 APRIL 1955 TO CITY OF DETROIT FOR CONSTRUCTION |
| ISSUE NO. 2 1-23-56 ADDED C.I. VENT PIPE TO "SLEEVE DETAIL" |

| | | |
|----------------------|--|-------------------------|
| DRAWN BY G.S.W. | The H. K. Ferguson Engineering Co. ENGINEERS DETROIT, MICHIGAN | CONTRACT NUMBER 1746 |
| TRACED BY | | SHEET NUMBER A-205 |
| CHECKED BY W.G.N. | GRAND CIRCUS PARK UNDERGROUND GARAGE DETROIT, MICHIGAN | |
| SCALE | PLUMBING DETAILS - EAST GARAGE | |