

STREET PAVING PLAN
CITY OF DETROIT

DEPARTMENT OF PUBLIC WORKS - CITY ENGINEERS' OFFICE

NAME OF STREET WESTFIELD
FROM 300' W. OF WPL FREELAND
TO WPL OF FREELAND

TYPE OF PAVEMENT 10:8:10
8" UNIFORM AT STREET INTERSECTION EXCEPT AS NOTED

PET. NO. E.C.C. BY DATE 12-26-62

NOTE - FOR SYMBOLS (C) ETC., SEE STANDARD DETAIL DRAWING C-4979

BENCH MARKS
PLBM 82-252 N.E. COR. HUBBEL & N. CHICAGO 136.634
CBM SPK. IN POLE S.W. COR. FREELAND & WESTFIELD 135.53
CBM SPK. IN POLE S.S. WESTFIELD STA. 1460 135.91
PLBM 82-2524 N.E. COR. MARK TWIN & W. CHL. 135.995

HORIZONTAL CONTROL:
CROSS CUT IN WK. 20' S. OF WESTFIELD, AT
FREELAND RETURN.

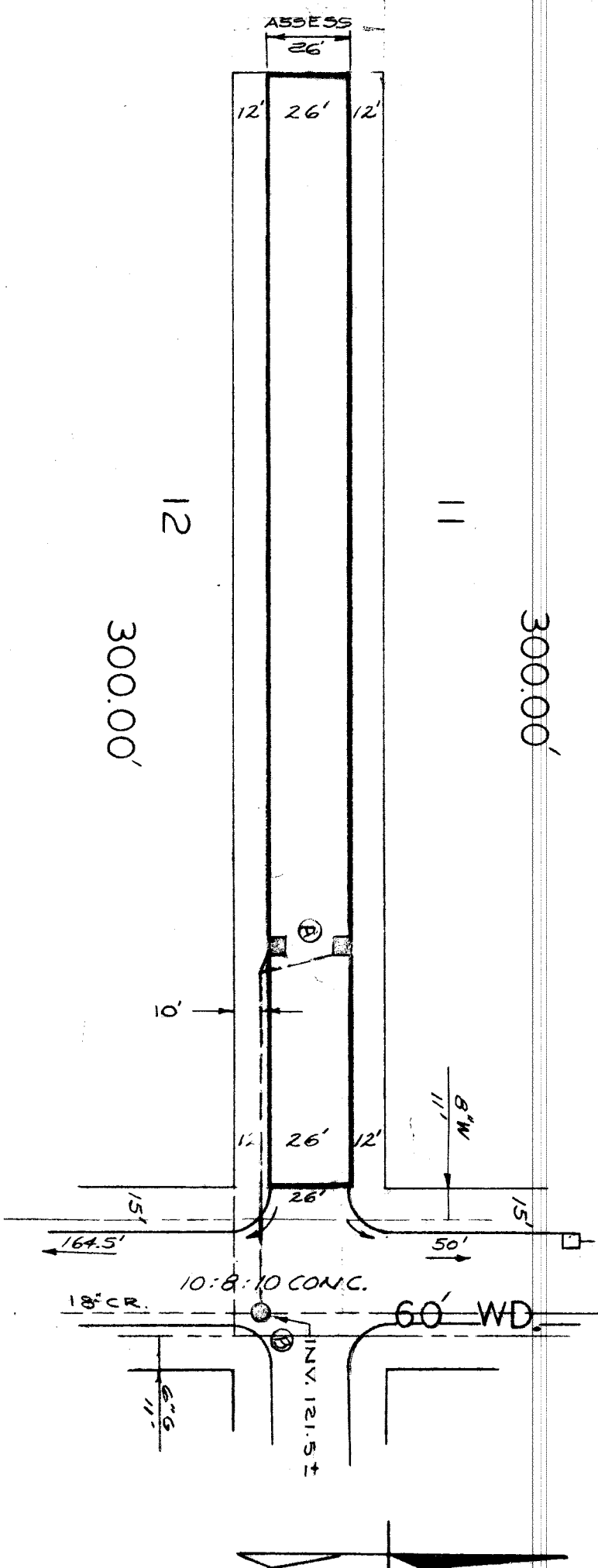
INDEX NO.	70
INDEXED	82
MADE BY	L.P. KING
CHECKED BY	L.P. KING
PLAN	L.P. KING
PROFILE	L.P. KING
GRADE	L.P. KING
ESTIMATE	
FINAL CHECK	
APPROVED	
ENGINEER OF STREETS	
ASSIST. ENGR.	
CITY ENGINEER	

ASSIGNMENT NO.	325	DATE	04-10
BOOK NO.	2005	LEVEL	1-17-63
NO.	1	DATE	
LOTS 21	626 00	LENGTH	313 70
CITY 21		LENGTH	
TOTAL	626 00	LENGTH	313 00
DATE OF DRAWING	4-22-63		
DRAINAGE COMPLETED	10-28-63		
PAVING COMPLETED	C.C. 2-9-65		

QUANTITIES	ESTIMATED	LOTS	CITY
PAVING 10:8:10 SQ. YDS.	300		
PAVING UNIFORM 8" SQ. YDS.			
BELEM GRADING 5785	767		
TEST CONES EACH	1		
SIDEWALK 4" STANDARD SQ. FT.	100		
CONCRETE DRIVE 4" STD. SQ. FT.	100		
TREE REMOVAL 4" - 12" DIA.			
TREE REMOVAL 12" - 18" DIA.			

QUANTITIES	ESTIMATED	LOTS	CITY
EXCAVATION CU. YD.	532		
PAYMENT REMOVAL SQ. YD.			
CONCRETE REMOVAL			
FILL			
ADJUST MANHOLES	1		
MANHOLES	2		
CATCH BASIN ADJUST			
CATCH BASIN STANDARD NEW	1		
12" SEWER PIPE L.F.T.			
PAVING SQ. YD.	10		

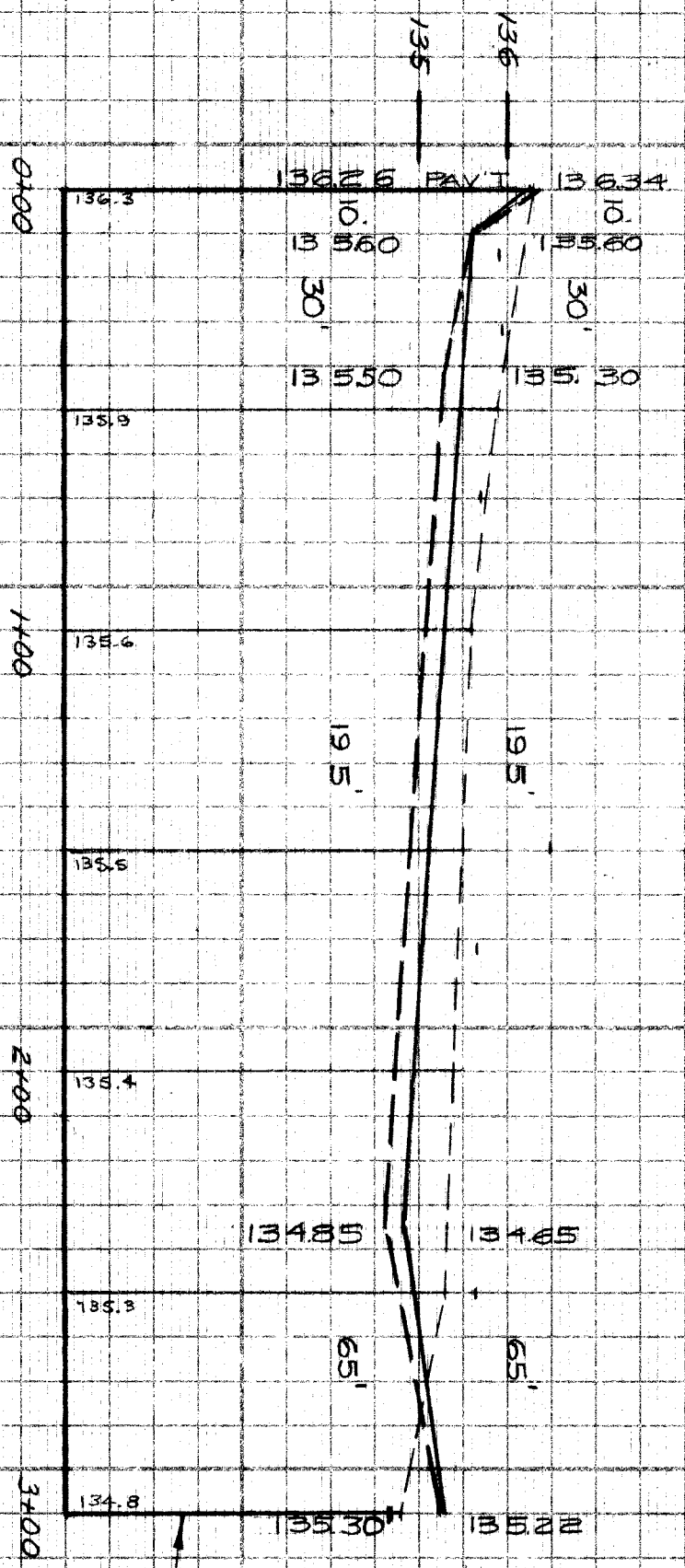
BEFORE STARTING CONSTRUCTION - CONTRACTOR MUST CHECK WITH UTILITIES FOR LOCATIONS OF EXISTING STRUCTURES WHETHER OR NOT INDICATED ON PLANS.
SCALE
STREET WIDTH 1" = 50'
VERTICAL SUPPLEMENTARY DETAILS 1" = 2'
C-4379 THROUGH C-4384
REVISIONS
NO OLD MAP 4-22-63
3-18-64 645 LINES ADDED D.G.H.
PLAN REVIEWED 2-5-64



135.22 C
134.64 G
134.60 G

FREELAND

411378



FREELAND
60' WD