

DEPARTMENT OF PUBLIC WORKS DETROIT
CITY ENGINEER'S OFFICE --- DIVISION OF PAVING DESIGN
STREET PAVING PLAN

ALSION NO. AO-470
PETITION NO. 5
NAME OF STREET MACOMB
FROM EPL. RIVARD
TO W.P.L. RUSSELL (S. SIDE)

TYPE OF PAVEMENT 8-6-8 ONE COURSE CONCRETE INTERLOCKING CURB WIDTH 34"

INDEX TO PD NO. 238
RECORD NO. 486304

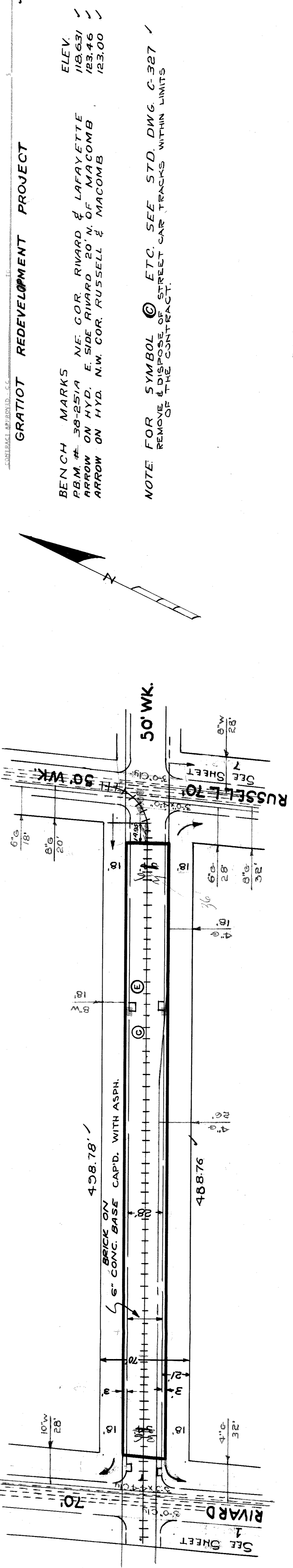
DESIGNED BY Erigson
DRAWN BY Jas. Wright
TRACED BY GM
CHECKED BY GM
APPROVED [Signature]
ENGINEER OF STREETS
CITY ENGINEER [Signature]

HOR. SCALE <u>1 1/2" = 60'</u>	BOOK <u>7637</u>	PAGE <u>71</u>
VER. SCALE <u>1 1/2" = 2'</u>	DATE DRAWING <u>10-10-52</u>	LEVEL <u>10-52</u>
PLAN <u>NEW</u>	PROFILE <u>MLL</u>	RD. CONTROLLED <u>MLL</u>
CHECKED <u>[Signature]</u>	GRADE <u>G.A.</u>	J.E. CHECKED <u>G.A.</u>
LOTS	CITY	LENGTH
TOTAL <u>972.60</u>	LENGTH <u>486.304</u>	LOT

QUANTITIES	ESTIMATED	FINAL
EXCAVATION CU. YDS.	LOTS	CITY
NEW CURB LIN. FT.	LOTS	CITY
PAVING SQ. YDS.	LOTS	CITY
SIDEWALK SQ. FT.	LOTS	CITY
MANHOLES	LOTS	CITY
BASINS	LOTS	CITY
SEWERB:12" LIN. FT.	LOTS	CITY

NOTE: BEFORE STARTING CONSTRUCTION CONTRACTOR MUST CHECK WITH UTILITIES FOR LOCATIONS OF EXISTING STRUCTURES WHETHER OR NOT INDICATED ON PLANS.
PLAN SCALE DISTORTED
LOTS & ALLEYS 1" = 60'
STREET WIDTHS 1" = 60'
DRAINAGE COMPLETED
PAVING COMPLETED

SEWER	REVISION	SUPPLEMENTARY DETAILS
C-324A	C-390	C-587 C-739B
C-325	C-524	C-733 C-938
C-326A	C-585	C-739
C-327	C-586	C-738A



CONTRACT APPROVED 8-6-8

GRATIOT REDEVELOPMENT PROJECT

BENCH MARKS
P.B.M. # 38-251A NE. COR. RIVARD & LAFAYETTE 118.631
ARROW ON HYD. E. SIDE RIVARD 20' N. OF MACOMB 123.46
ARROW ON HYD. N.W. COR. RUSSELL & MACOMB 123.00

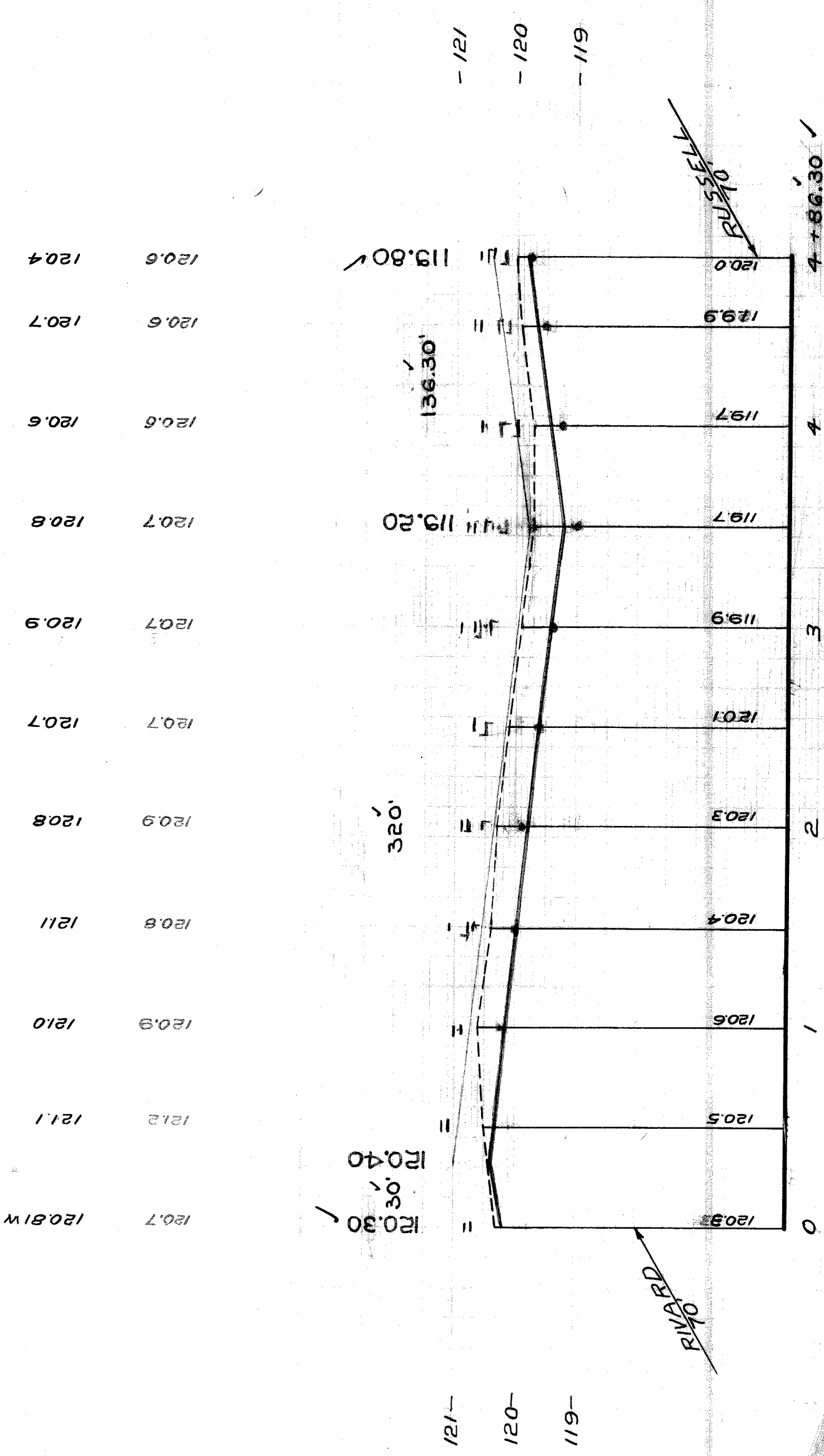
NOTE FOR SYMBOL © ETC. SEE STD. DWG. C-327
REMOVE & DISPOSE OF STREET CAR TRACKS WITHIN LIMITS OF THE CONTRACT.

LEGEND

[Symbol]	PL. & LOT LINES
[Symbol]	PAVT. TO BE REMOVED
[Symbol]	PROP. EASEMENT
[Symbol]	PROP. PAVT.
[Symbol]	D.S.R. TRACK

179
14

gutter East



[Large handwritten signature]

RIVARD