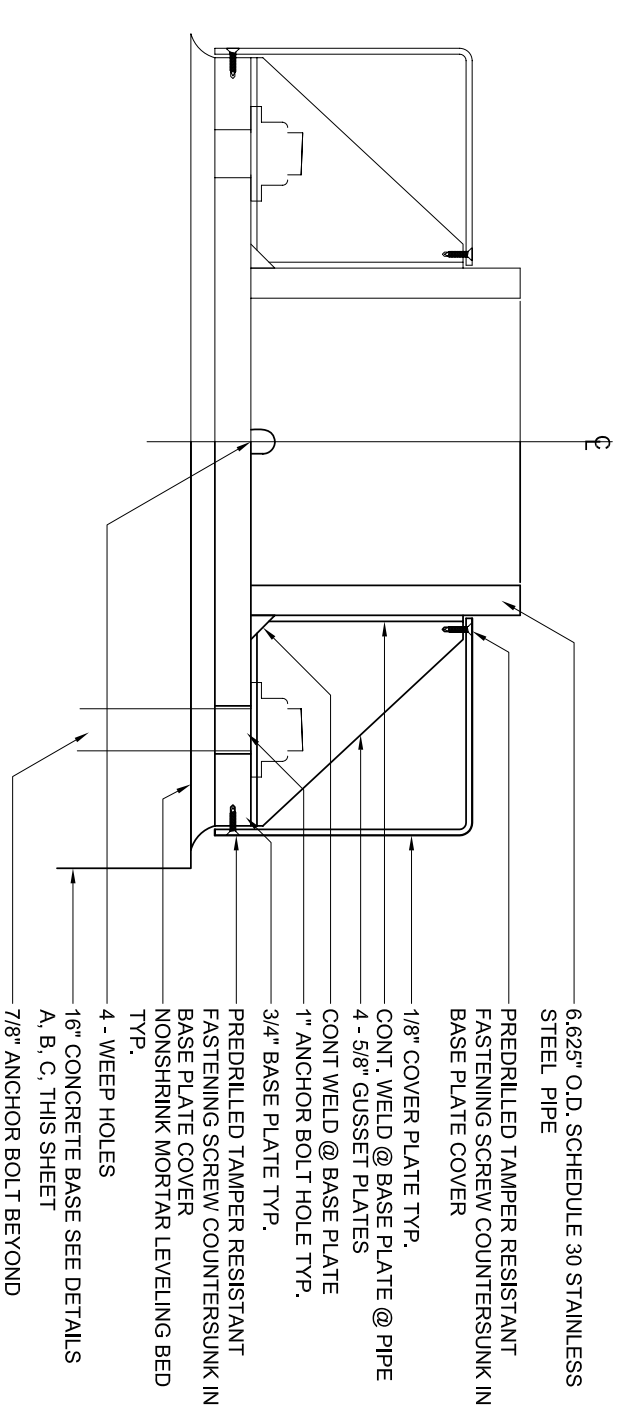
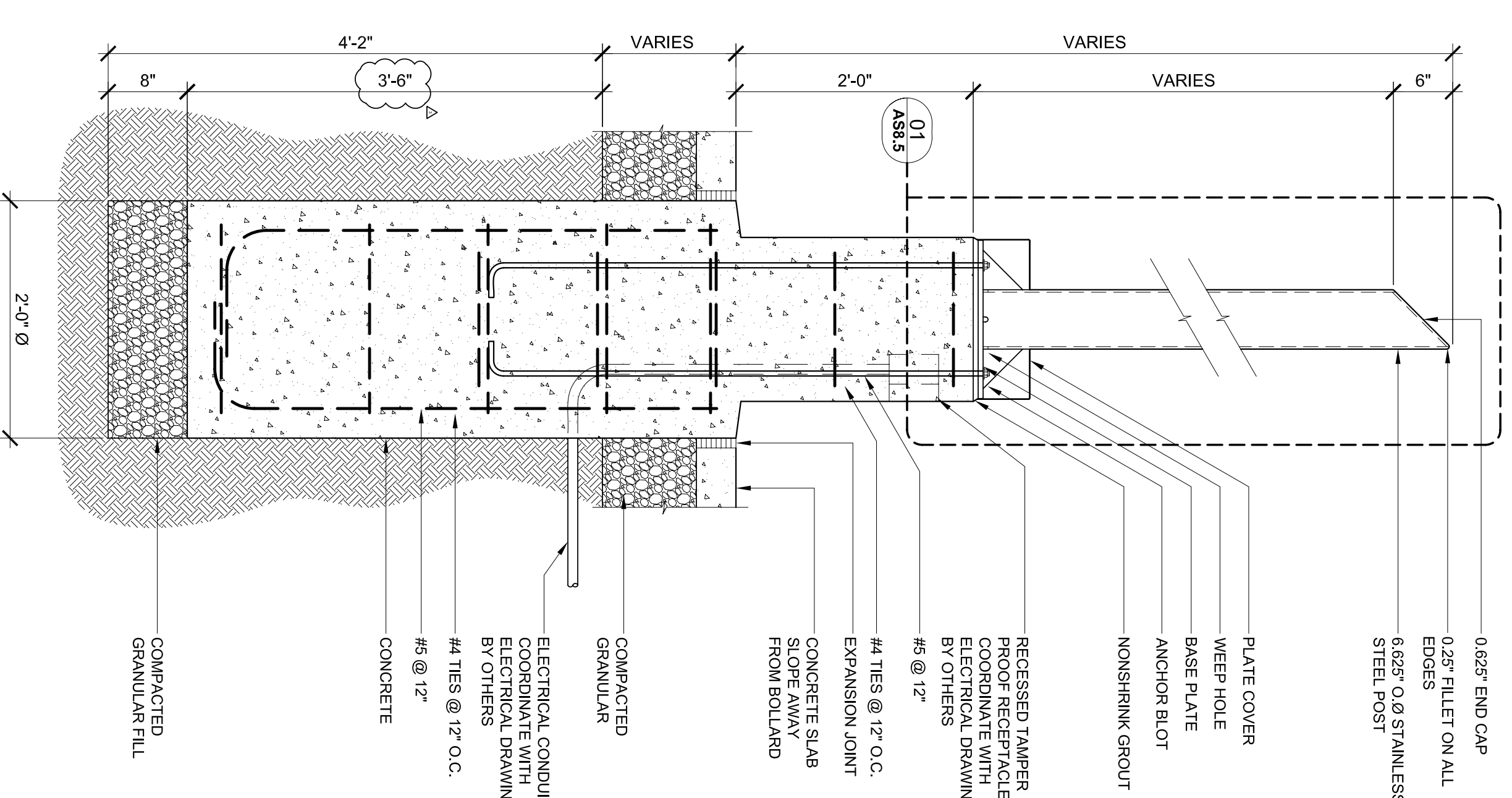


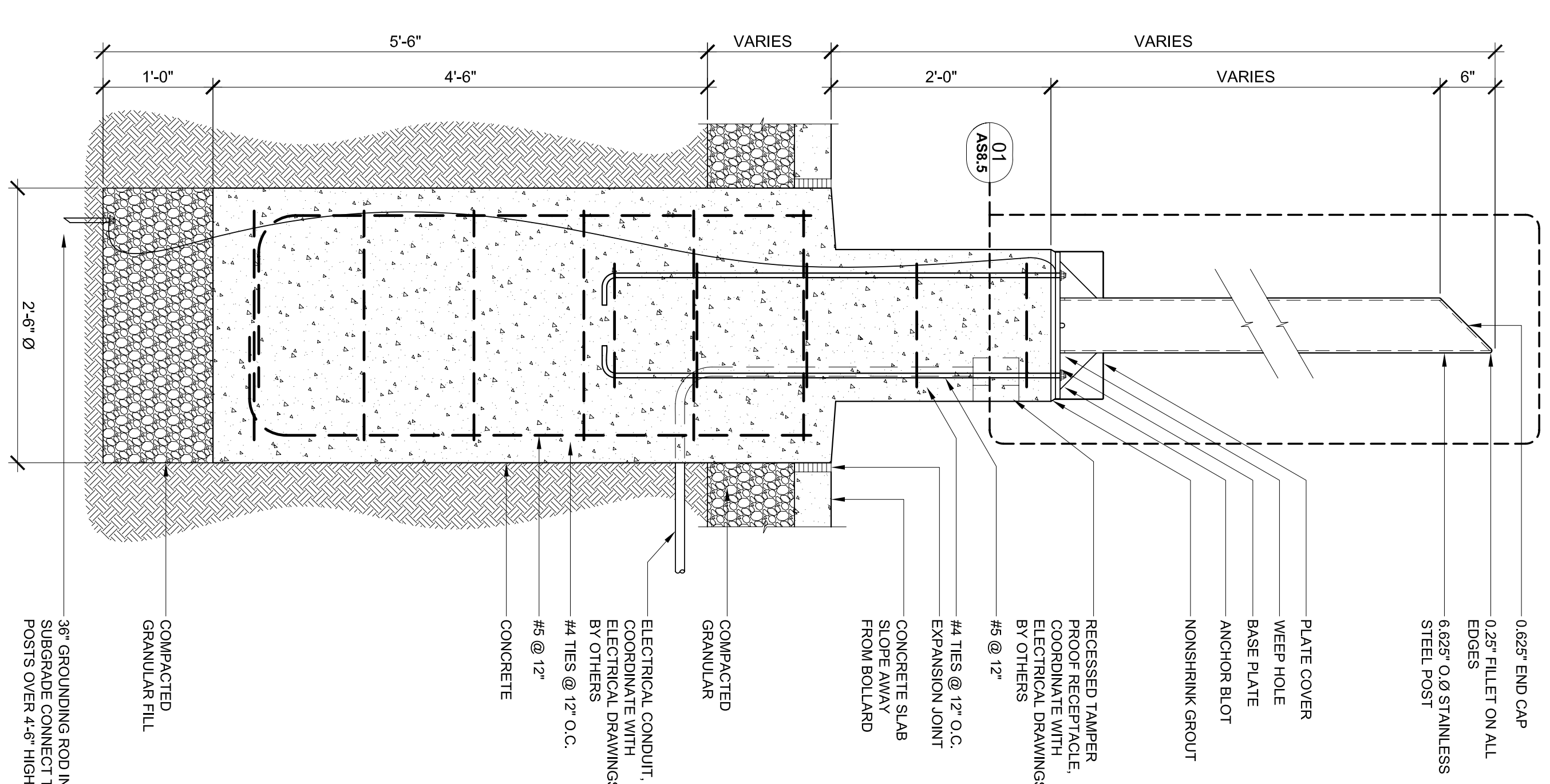
AS8.5
BOLLARD BASE PLATE
SCALE: 1-1/2"=1'-0"



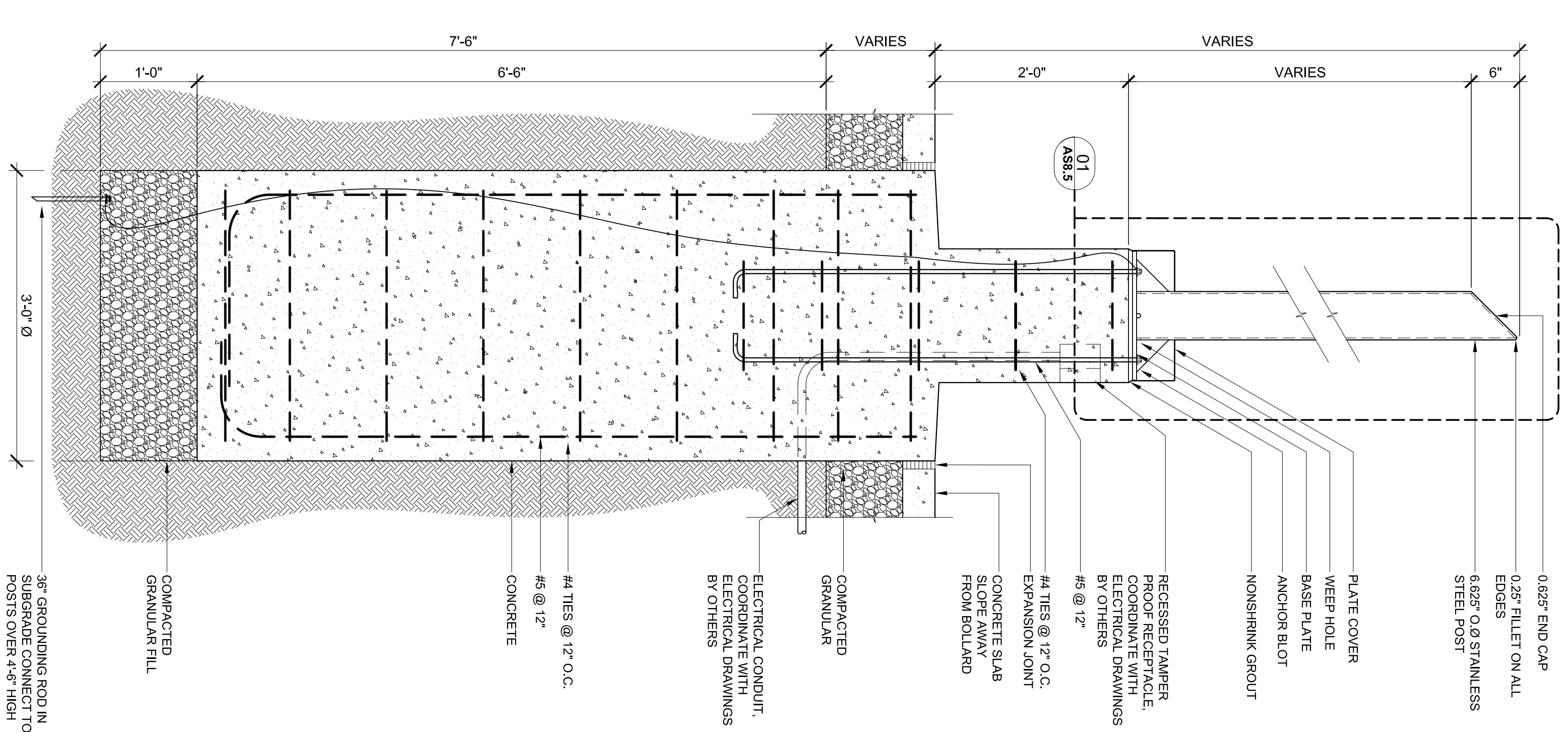
AS8.5
BOLLARD BASE PLATE
SCALE: 1-1/2"=1'-0"



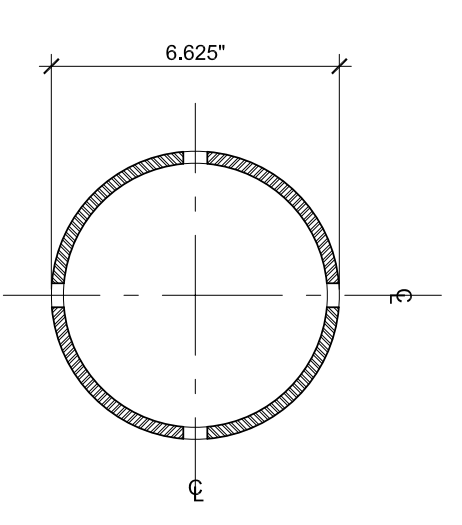
AS8.4
BOLLARD DETAIL "A" 5'-0" OR LESS
SCALE: 1"=1'-0"



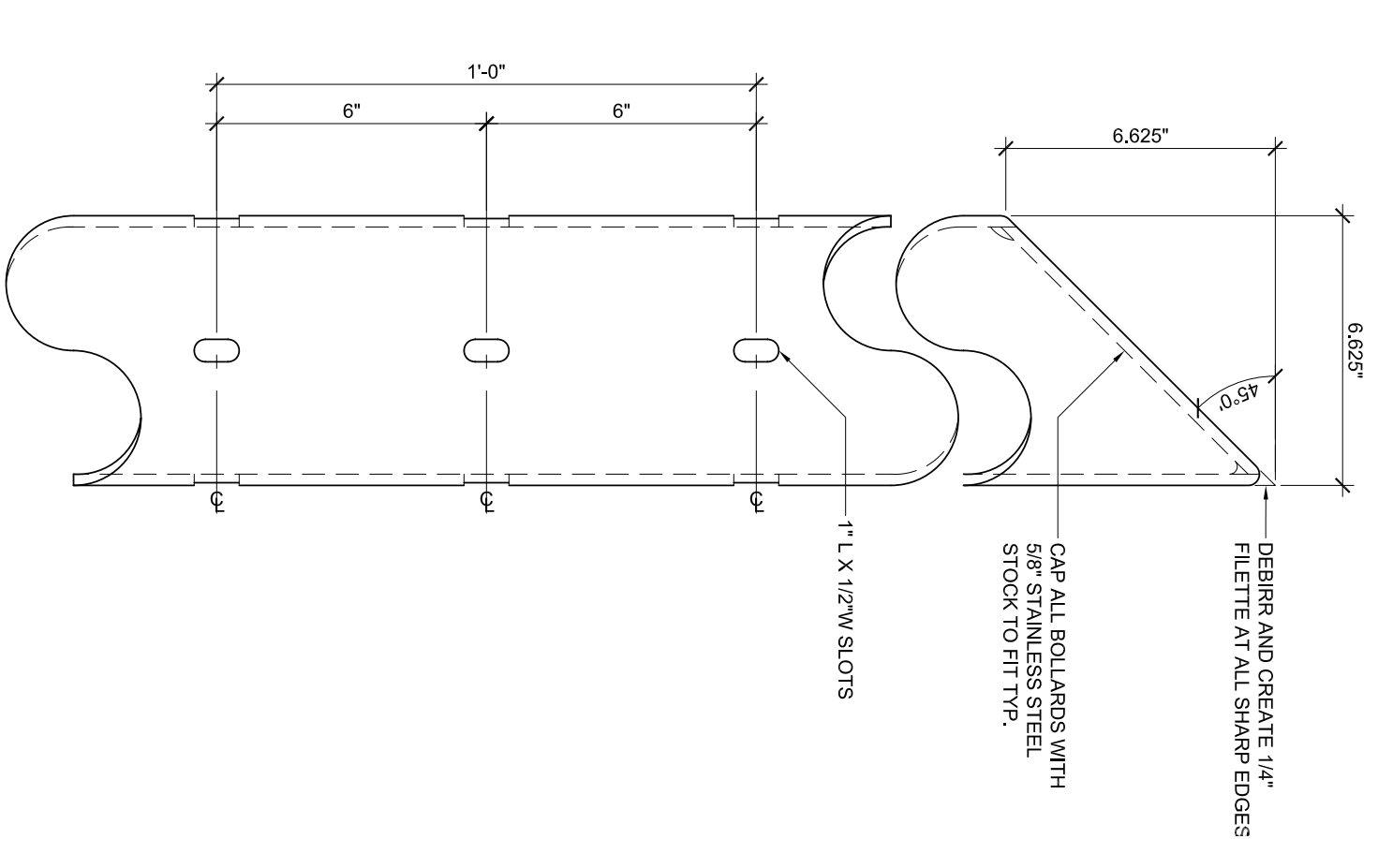
AS8.4
BOLLARD DETAIL "B" 5'-0" - 6'-6"
SCALE: 1"=1'-0"



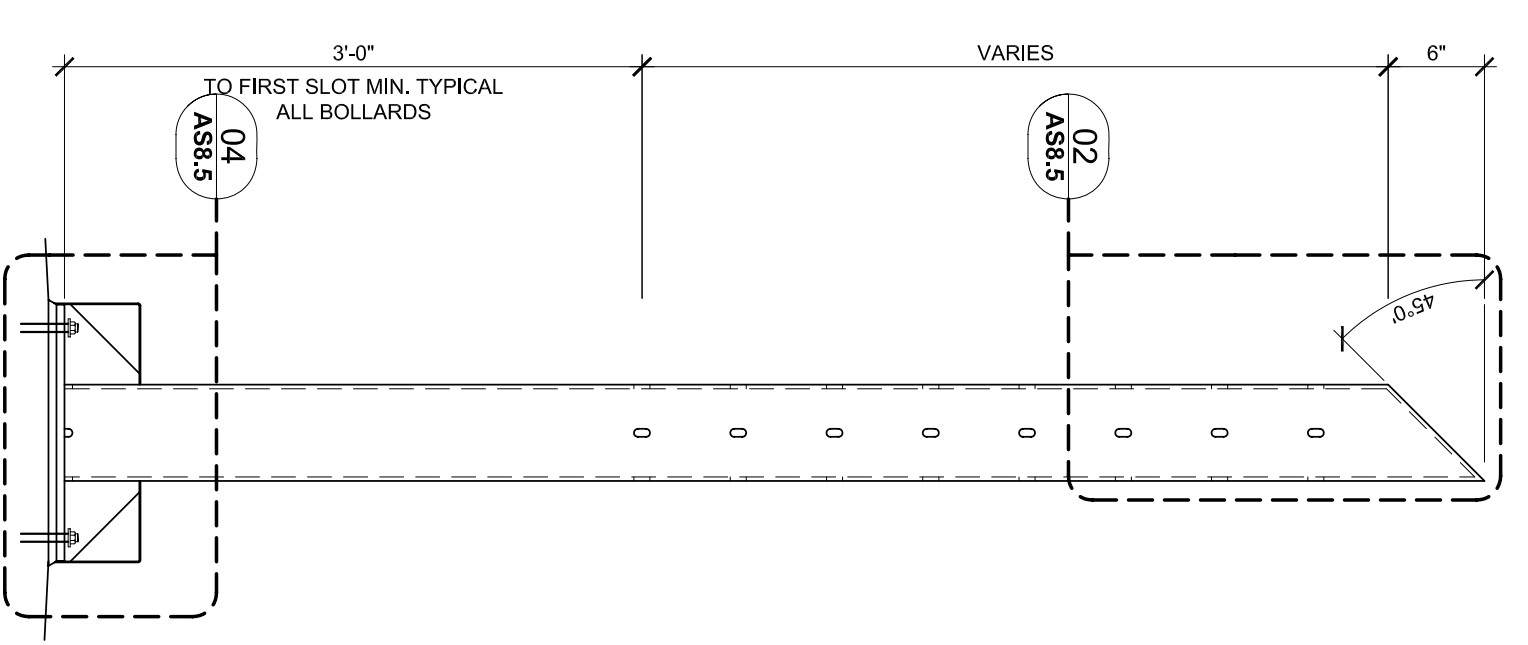
AS8.2
BOLLARD DETAIL "C" 6'-6" - 11'-0"
SCALE: 1"=1'-0"



AS8.3
BOLLARD
SLOTTING SECTION
SCALE: 1-1/2"=1'-0"



AS8.3
BOLLARD SLOTTING
DETAIL 2
SCALE: 1-1/2"=1'-0"



AS8.3
BOLLARD SLOTTING
DETAIL 1
SCALE: 1"=1'-0"

GENERAL NOTES:

1. SHALL BE IN ACCORDANCE WITH THE SPECIFICATIONS FOR THE PROJECT.
2. ALL DIMENSIONS ARE UNLESS OTHERWISE NOTED.
3. MATERIALS SHALL BE AS SHOWN IN THE DRAWINGS.
4. THE CONTRACTOR SHALL BE RESPONSIBLE FOR OBTAINING ALL NECESSARY PERMITS AND APPROVALS.
5. THE CONTRACTOR SHALL BE RESPONSIBLE FOR OBTAINING ALL NECESSARY PERMITS AND APPROVALS.
6. THE CONTRACTOR SHALL BE RESPONSIBLE FOR OBTAINING ALL NECESSARY PERMITS AND APPROVALS.
7. ALL DIMENSIONS ARE UNLESS OTHERWISE NOTED.
8. THE CONTRACTOR SHALL BE RESPONSIBLE FOR OBTAINING ALL NECESSARY PERMITS AND APPROVALS.

MERS ASSOCIATES
ARCHITECTS & URBAN DESIGNERS
CAPITOL PARK IMPROVEMENT PROJECT

440 E. LEXINGTON, SUITE 211
DENVER, CO 80202
TEL: 303.733.1111
WWW.MERSASSOCIATES.COM

DATE: 11/27/07
SCALE: AS 8.5

| NO. | DATE | DESCRIPTION |
|-----|----------|-------------------|
| 01 | 08.16.09 | ISSUED FOR PERMIT |
| 02 | 07.02.09 | ISSUED FOR PERMIT |
| 03 | 06.18.09 | ISSUED FOR PERMIT |
| 04 | 04.23.09 | ISSUED FOR PERMIT |
| 05 | 07.20.08 | ISSUED FOR PERMIT |