

100  
110  
120  
130  
140  
150  
160  
170  
180  
190  
200  
210  
220  
230  
240  
250  
260  
270  
280  
290  
300  
310  
320  
330  
340  
350  
360  
370  
380  
390  
400  
410  
420  
430  
440  
450  
460  
470  
480  
490  
500  
510  
520  
530  
540

BEFORE STARTING CONSTRUCTION CONTRACTOR MUST CHECK WITH UTILITIES FOR LOCATIONS OF EXISTING STRUCTURES WHETHER OR NOT INDICATED ON PLANS.

SCALE  
HORIZONTAL 1" = 50'  
VERTICAL 1" = 8'

LOTS & ALLEYS  
STREET WIDTH  
SUPPLEMENTARY DETAILS  
C-4378 THROUGH C-4385  
REVISIONS  
DATE

QUANTITIES	ESTIMATED	LOTS	CITY
EXCAVATION	CU. YDS.		
PAVEMENT REMOVAL	SQ. YDS.		
CURB REMOVAL	L.F.T.		
FILL	TYPE A SEWER RECONSTRUCT CONC		
ADJUST MANHOLES	NEW		
MANHOLES	RECONSTRUCT CONC		
CATCH BASIN ADJUST	CATCH BASIN STANDARD NEW		
12" SEWER PIPE	L.F.T.		
PAVING	50 YDS.		

QUANTITIES	ESTIMATED	LOTS	CITY
PAVING	50 YDS.		
PAVING UNIF.	50 YDS.		
CURB-TYPE II	L.F.T.		
TEST CORES	EACH		
SIDEWALK 4" STANDARD	6" STD. SQ. FT.		
CONCRETE DRIVE	6" STD. SQ. FT.		
TREE REMOVAL	4"-12" DIA.		
TREE REMOVAL	13"-14" DIA.		

ASSIGNMENT NO.	BOOK NO.	PG.	LEVEL	DATE
A01443				
LOT 2L			LENGTH	
CITY 2L			LENGTH	
TOTAL			LENGTH	
DATE OF DRAW'G.				
DRAINAGE COMPLETED	C.C. 2-25-64			
PAVING COMPLETED				

MADE BY	CHECKED BY	INDEX NO.
J.K.K.	N.J.K.	61
J.K.K.	N.J.K.	
SEWER APPROVED	DATE	TOPO NO.
ESTIMATE		88
FINAL CHECK		INDEXED
APPROVED		
ENGINEER OF STREETS		
ASS'T CITY ENGINEER		
CITY ENGINEER		

GROUP NO. \_\_\_\_\_ CONTRACT NO. P.W. 4528

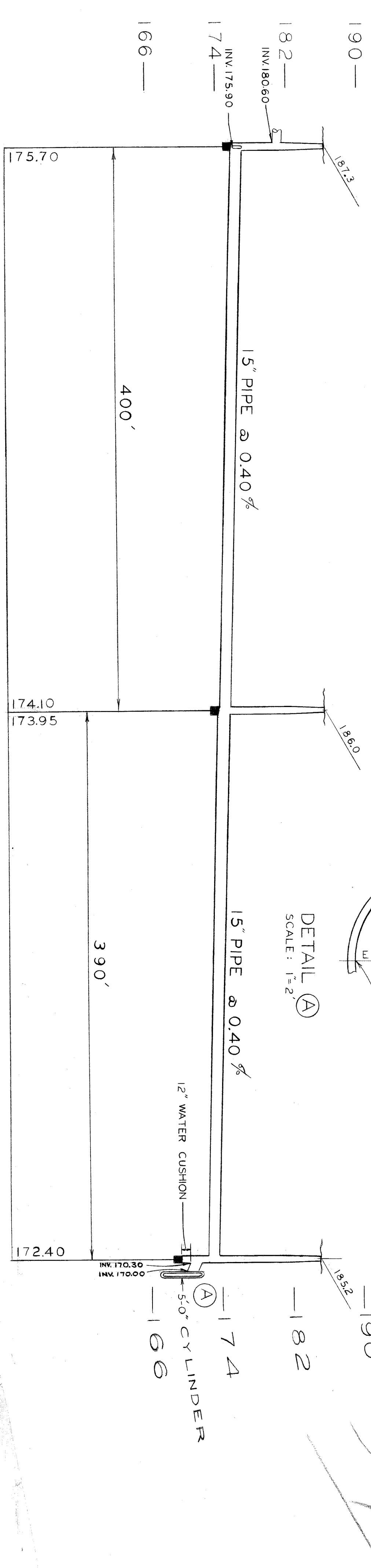
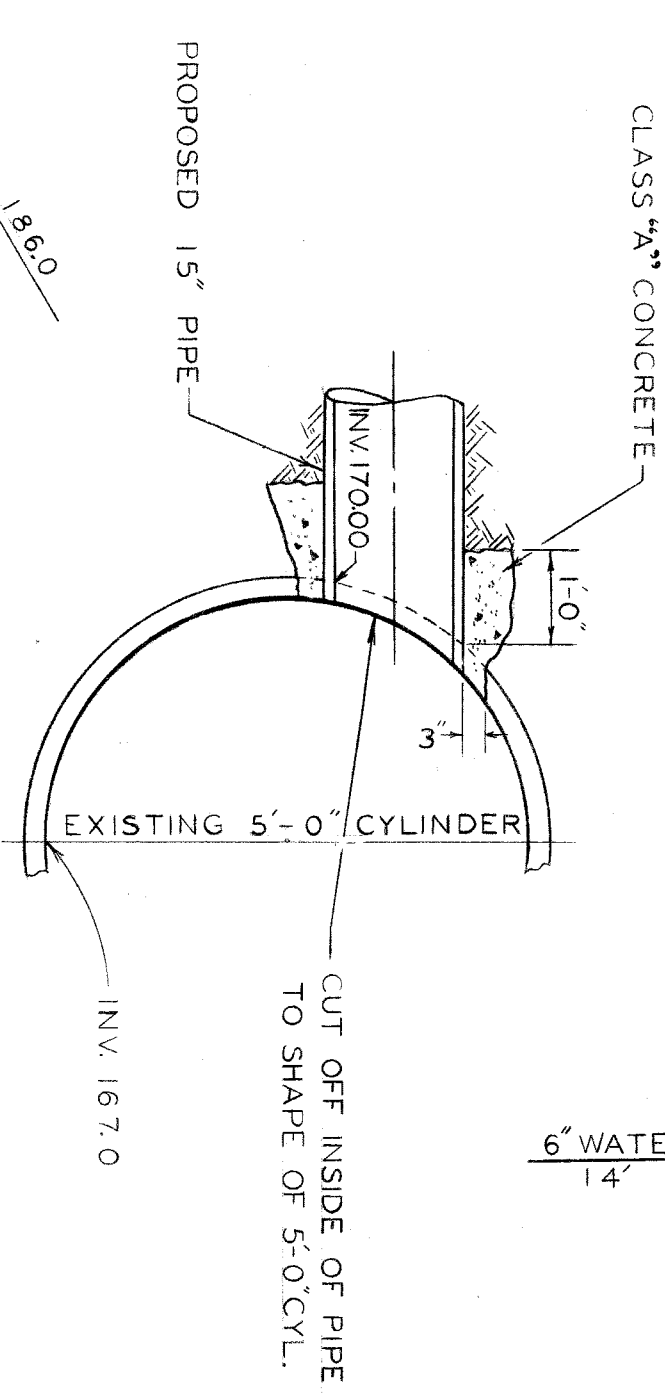
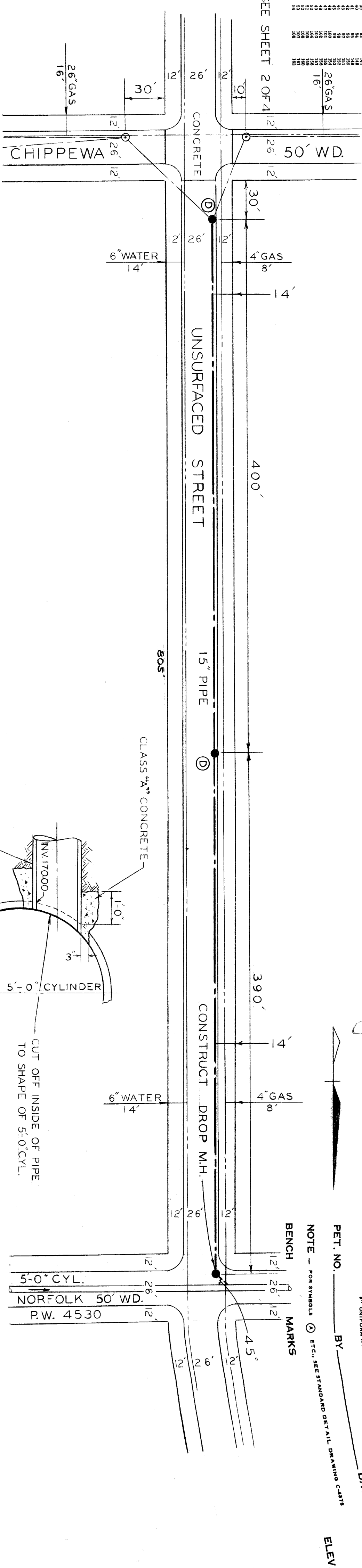
STREET PAVING PLAN  
CITY OF DETROIT  
ENGINEERS OFFICE  
PROJECT MICH. R-19  
DEPARTMENT OF PUBLIC WORKS-CITY ENGINEERS OFFICE  
LIGHT MILE-WYOMING CONSERVATION  
NAME OF CHIPPEWA DRAINAGE SEWER  
FROM 15" PIPE IN GRIGGS ST.  
TO CHIPPEWA TO NORFOLK

SHEET 4 OF 4 SHEETS  
FT. WD. 4

PET. NO. \_\_\_\_\_ BY \_\_\_\_\_ DATE \_\_\_\_\_ ELEV. \_\_\_\_\_

NOTE - FOR SYMBOLS (C) ETC., SEE STANDARD DETAIL DRAWING C-4378

BENCH MARKS



*SW*