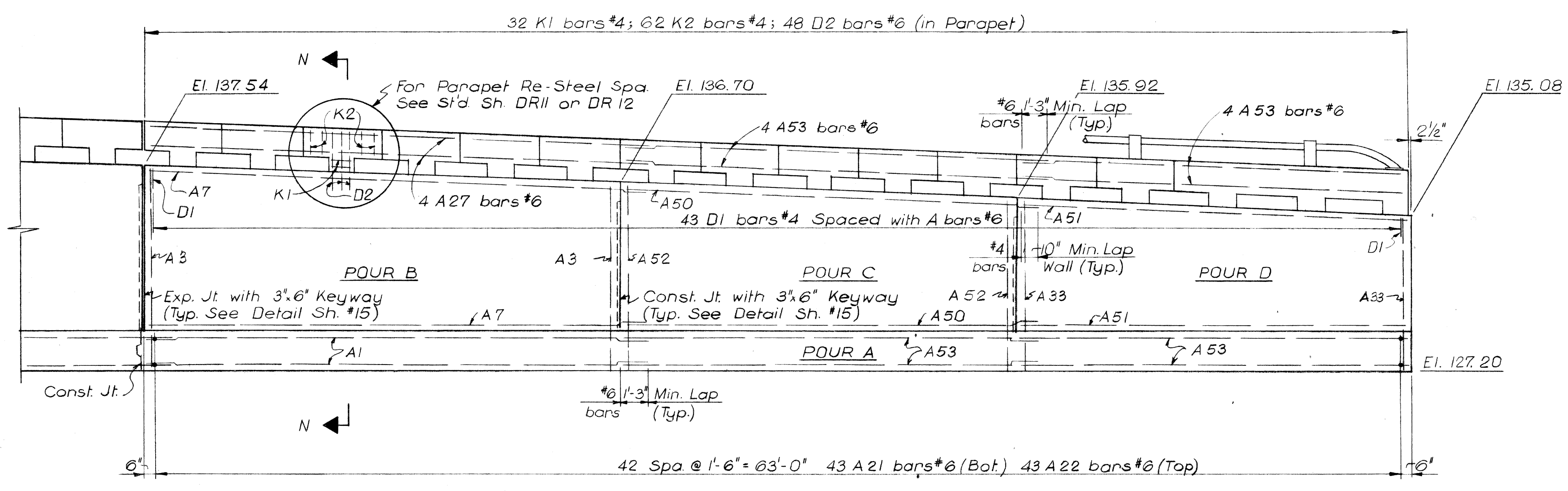


NOTE:
See Sh. #4 for Ret. Wall Ref. Line Alignment.

For End Post Detail See S'd Sheet DR11 or DR12

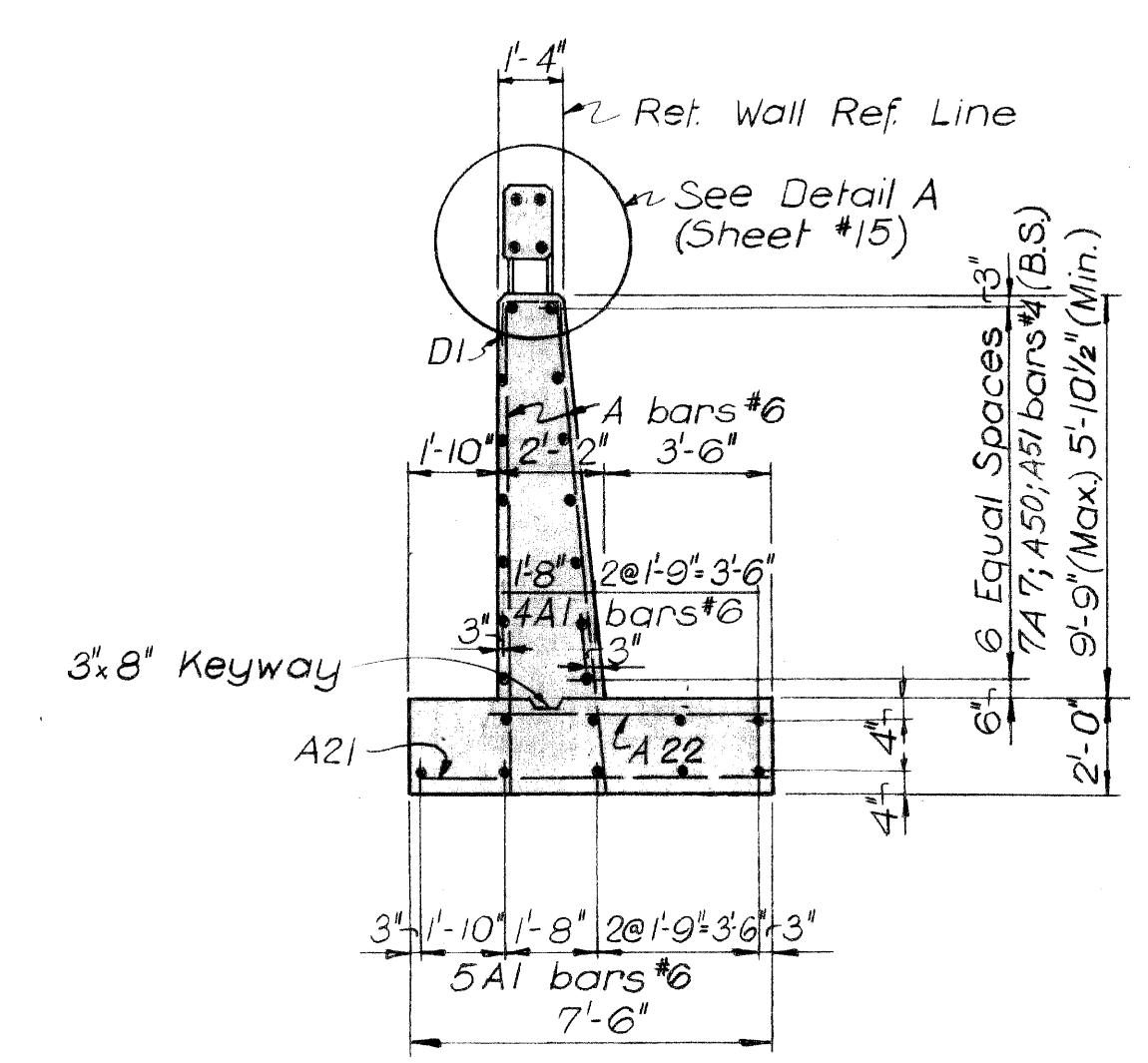
| CONCRETE QUANTITIES | |
|---------------------|--------------|
| Pour | A(6A) A6(AA) |
| A | 35.6 |
| B | 12.3 |
| C | 9.2 |
| D | 8.7 |
| Total Cyds. | 35.6 29.6 |

PLAN OF TOP

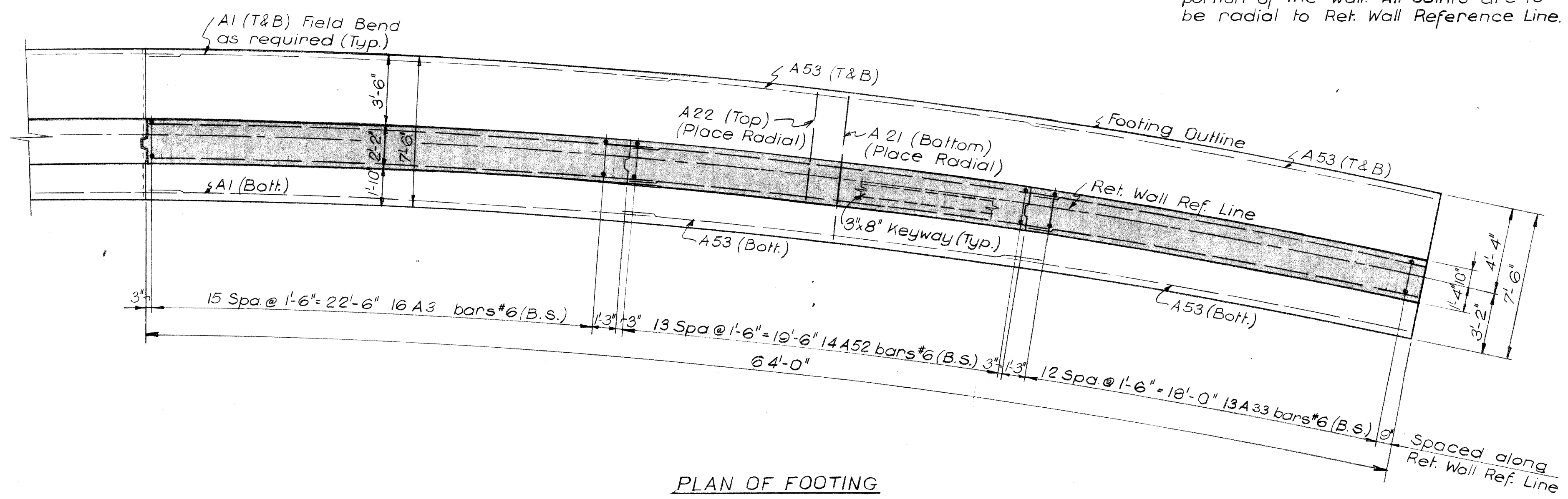


ELEVATION (Developed)

NOTE:
Dimensions are along/or radial to Retaining Wall Ref Line in the curved portion of the Wall. All Joints are to be radial to Ret. Wall Reference Line.



SECTION N-N



PLAN OF FOOTING

Work this Sheet with Sheets No. 2 thru 16.

MICHIGAN DEPARTMENT OF STATE HIGHWAYS

RETAINING WALL DETAILS

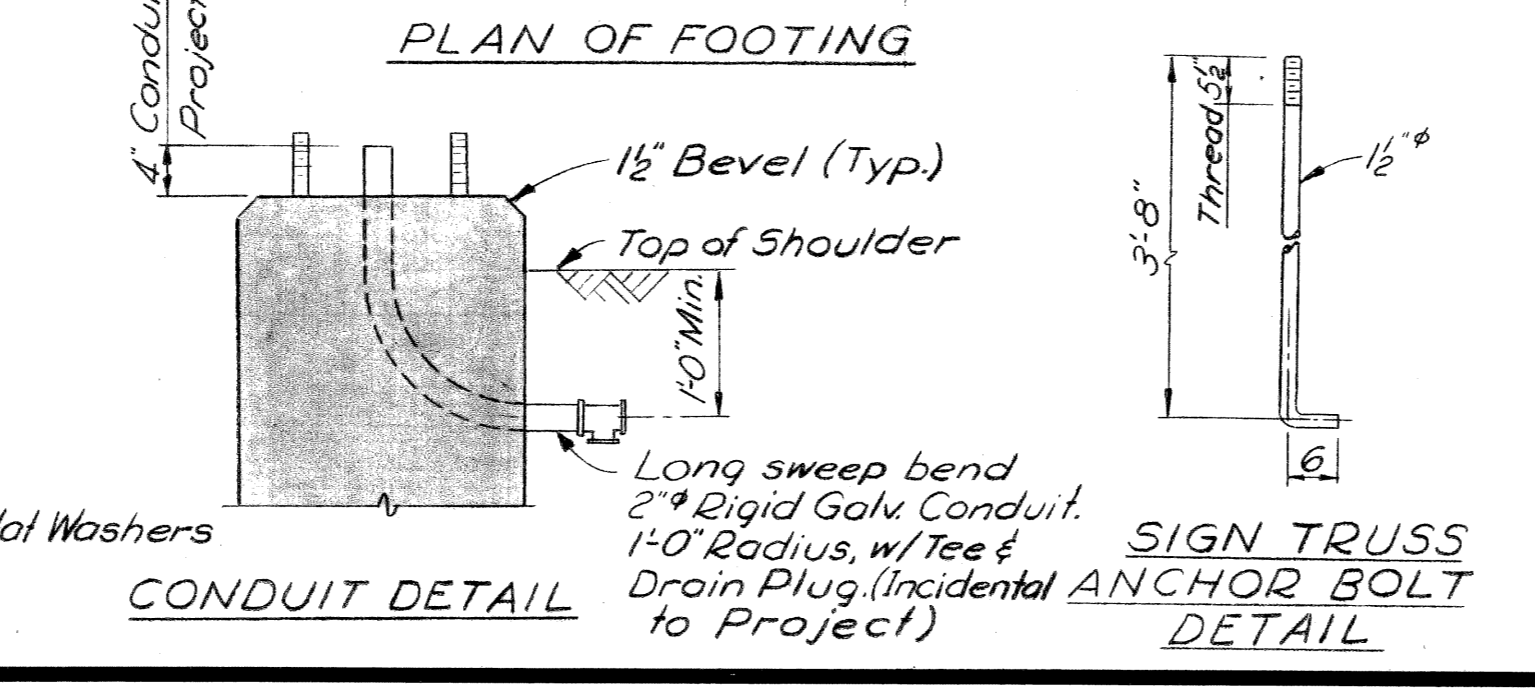
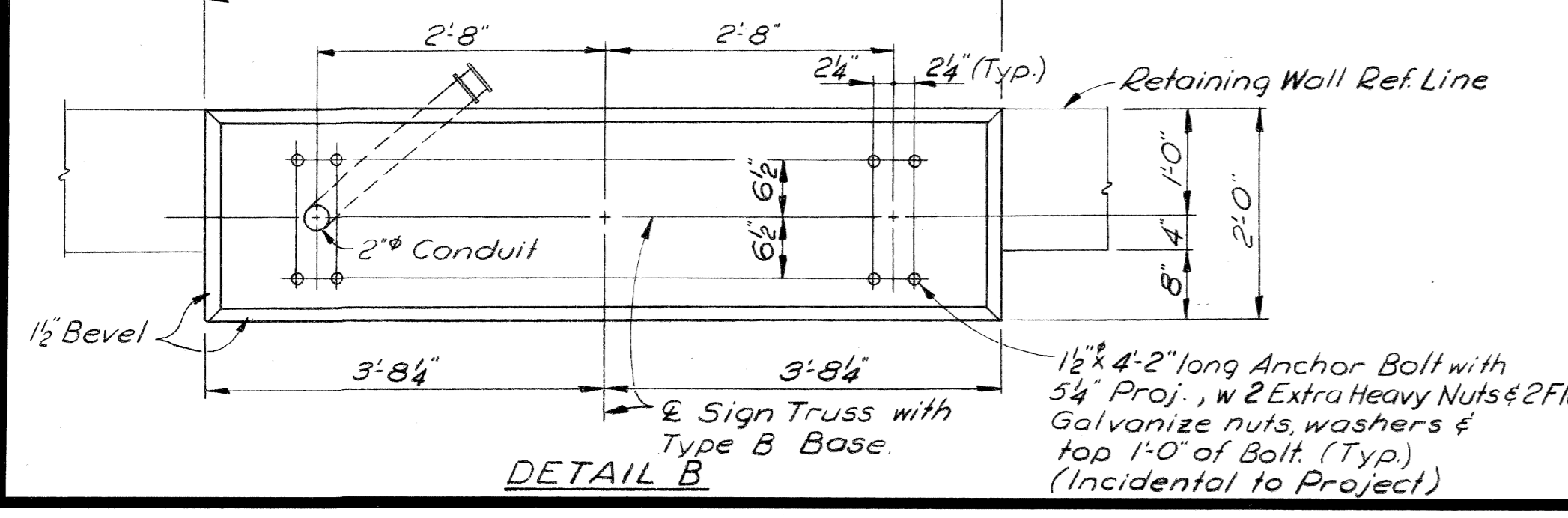
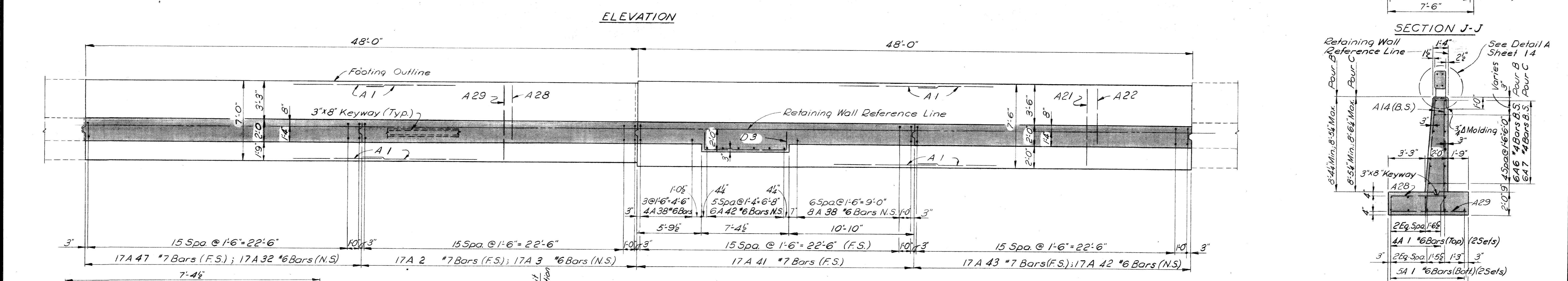
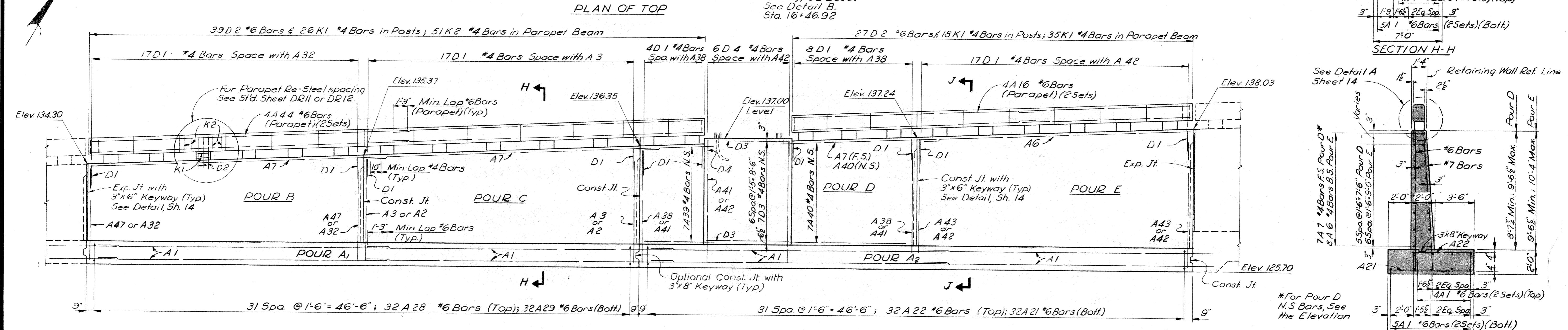
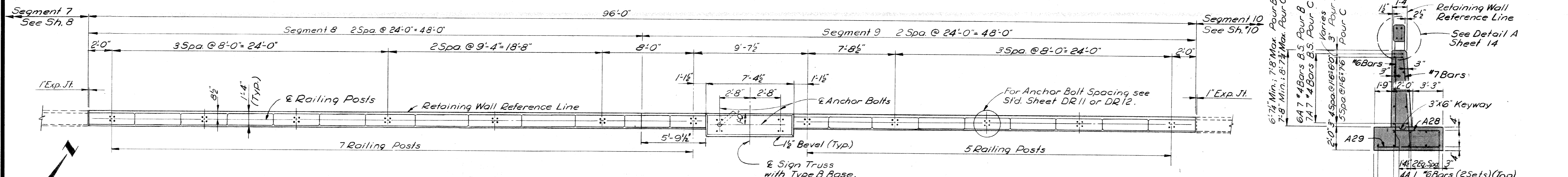
PLANS PREPARED BY
CITY OF DETROIT
DEPARTMENT OF PUBLIC WORKS
CITY ENGINEERS OFFICE
BUREAU OF HIGHWAYS AND EXPRESSWAYS

APPROVED: *L. Covert*
STRUCTURAL ENGINEER

| REVISIONS | | | |
|-----------|-------------|------|----|
| NO. | DESCRIPTION | DATE | BY |
| | | | |
| | | | |

| | | |
|----------------|-------------|--------|
| SQUAD BOSS | A. Freiberg | 1-68 |
| DRAWN BY | G. Molnar | 1-1968 |
| TRACED BY | G. Molnar | 1-1968 |
| CHECKED BY | D.R. AF | 1-68 |
| SHEET 14 OF 16 | | |

W13 of 82123K



| Pour | A(6A) | A(6AA) |
|-------|-------|--------|
| A | 24.9 | - |
| B | - | 10.5 |
| C | - | 12.1 |
| D | - | 15.3 |
| E | - | 14.7 |
| Total | 51.6 | 52.6 |

Work This Sheet with Sheets #2 thru #15

PLANS PREPARED BY
CITY OF DETROIT
 DEPARTMENT OF PUBLIC WORKS
 CITY ENGINEERS OFFICE
 BUREAU OF HIGHWAYS AND EXPRESSWAYS

APPROVED: *[Signature]*
 STRUCTURAL ENGINEER

JOB No.
 PW 990(2)

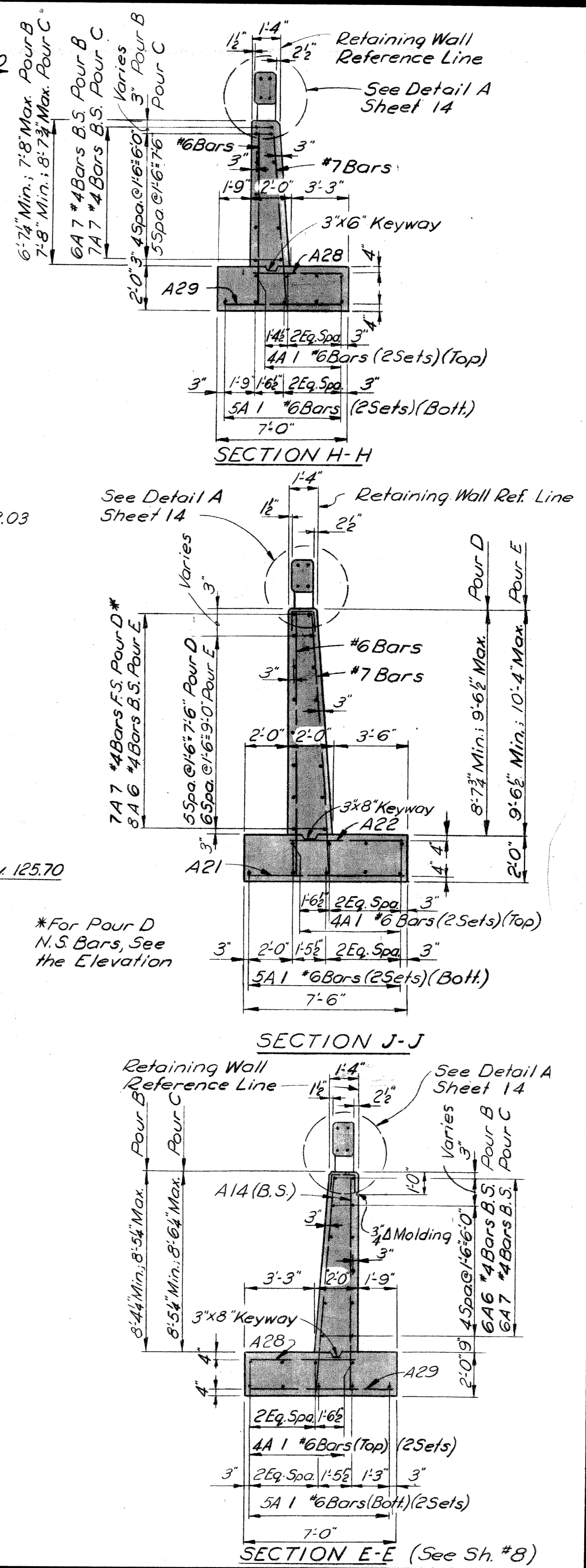
MICHIGAN DEPARTMENT OF STATE HIGHWAYS

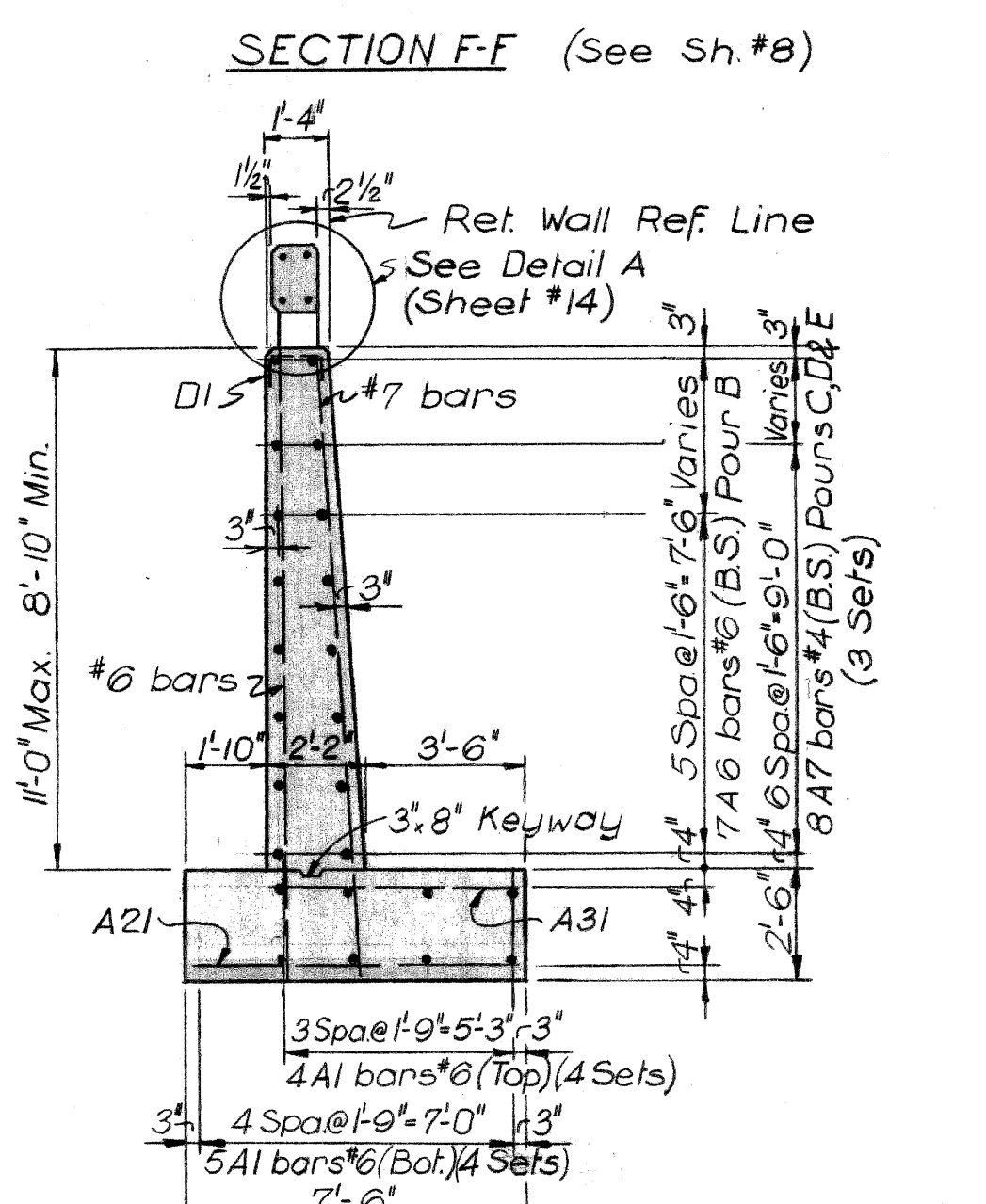
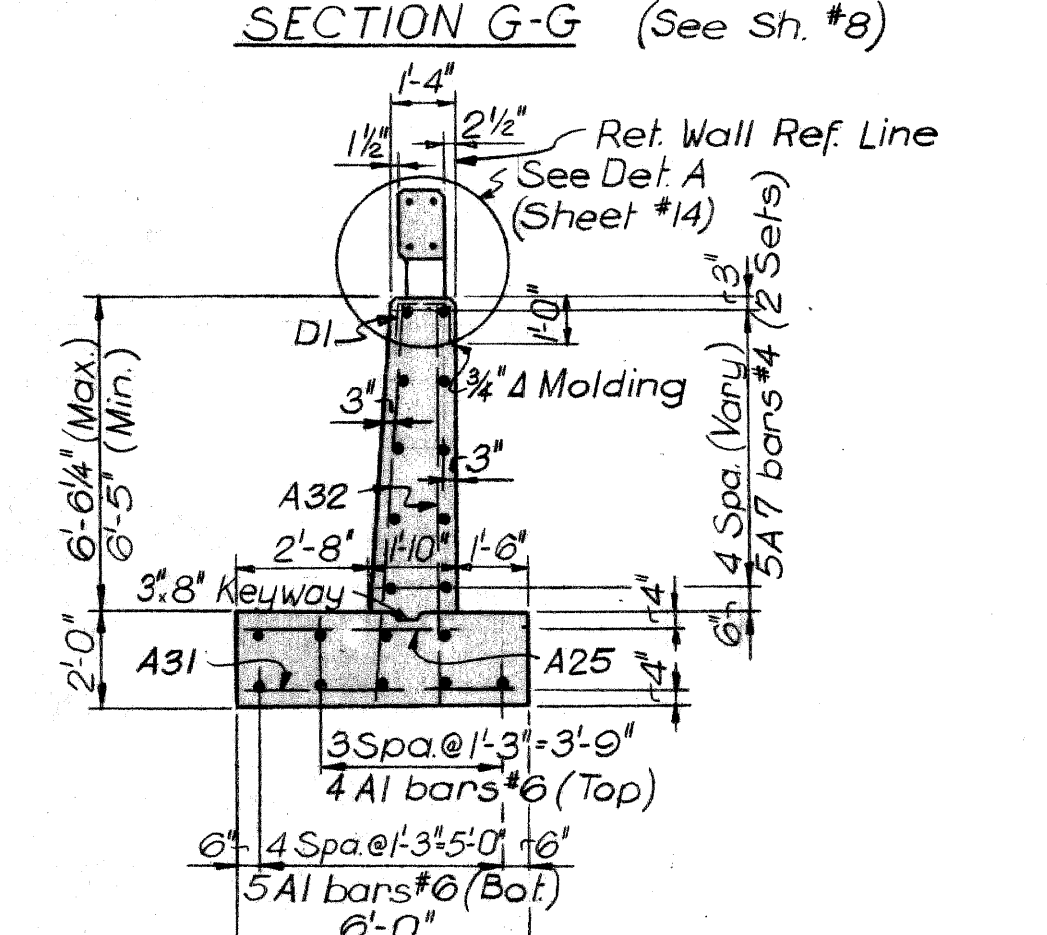
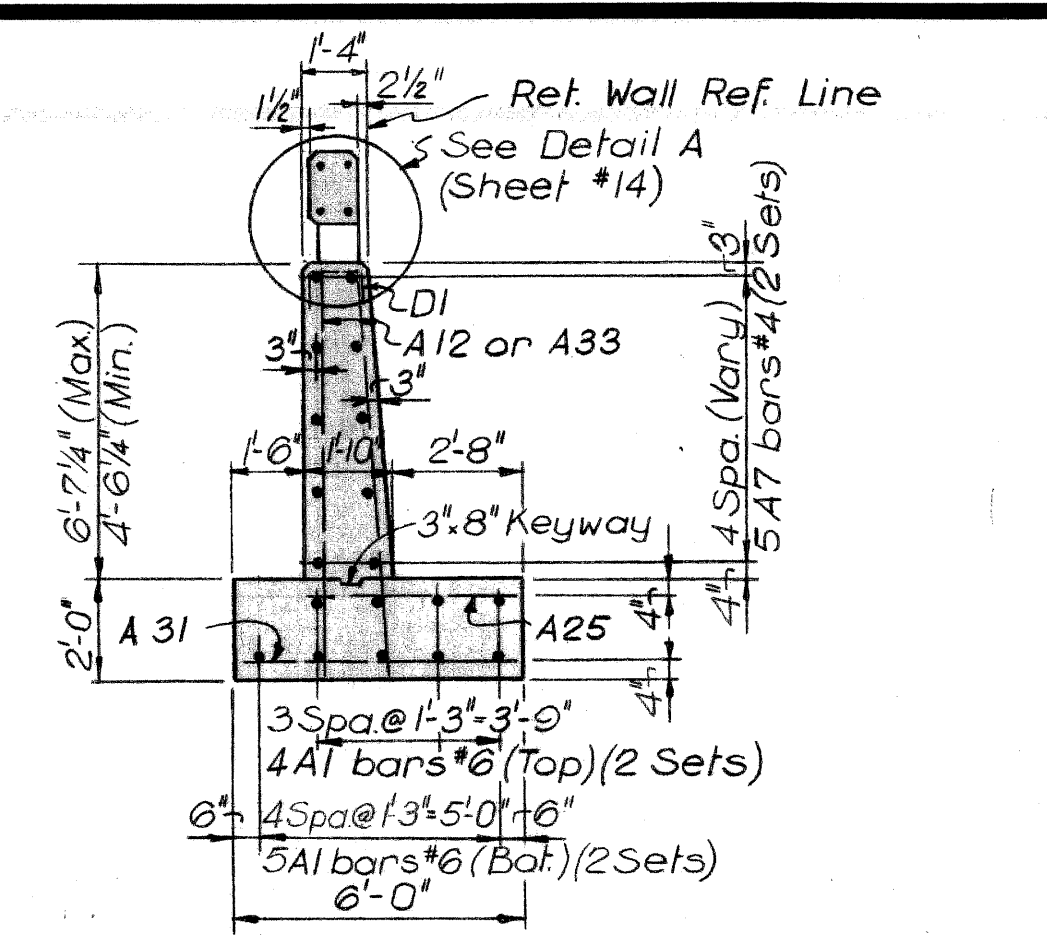
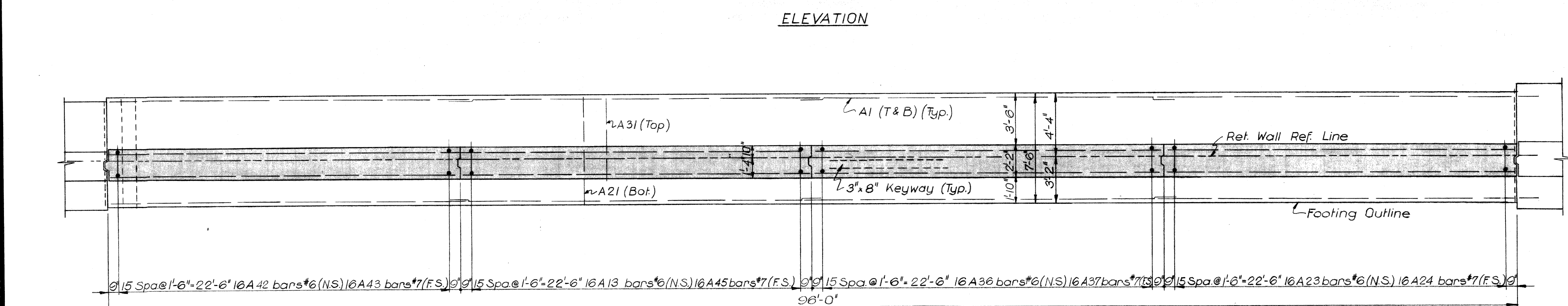
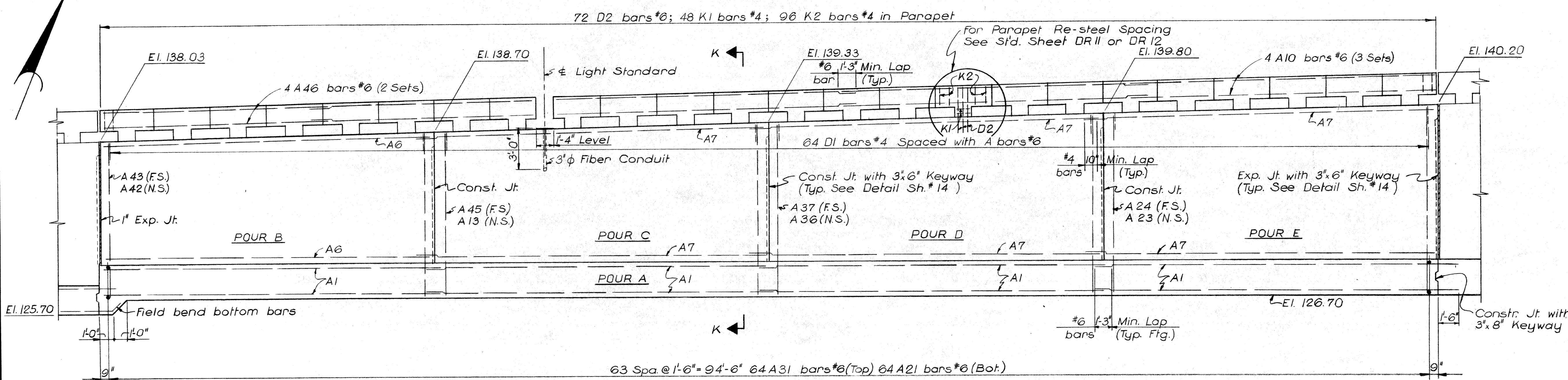
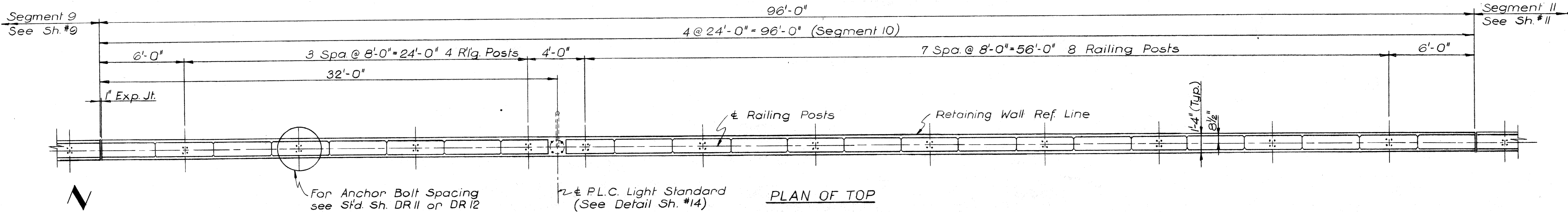
RETAINING WALL DETAILS

| NO. | REVISIONS | DATE | BY |
|-----|-----------|------|----|
| | | | |

CITY OF DETROIT
 SQUAD BOSS: A. Freiberg 12-67
 DRAWN BY: W. T. B. 10-67
 CHECKED BY: A. Freiberg 12-67
 SHEET 9 OF 15

W13 of 82123 K





| CONCRETE QUANTITIES | |
|---------------------|-----------------|
| Pour | (A)(B)(C)(D)(E) |
| A | 67.0 |
| B | 14.2 |
| C | 15.3 |
| D | 16.1 |
| E | 16.8 |
| Total | 67.0 @ 2.4 |

PLAN OF FOOTING

Work this Sheet with Sheets #2 thru #15

MICHIGAN DEPARTMENT OF STATE HIGHWAYS

RETAINING WALL DETAILS

PLANS PREPARED BY
CITY OF DETROIT
 DEPARTMENT OF PUBLIC WORKS
 CITY ENGINEERS OFFICE
 BUREAU OF HIGHWAYS AND EXPRESSWAYS

APPROVED: *H. C. ...* STRUCTURAL ENGINEER

JOB No. **PW 090(2)**

| NO. | DESCRIPTION | DATE | BY |
|-----|-------------|------|----|
| | | | |

REVISIONS

ROAD DISTRICT: **A. Freiberg** 12-67
 DRAWN BY: **G. Molnar** Nov. 1967
 TRACKED BY: **G. Molnar** Nov. 1967
 CHECKED BY: **A. Freiberg** 12-67
 SHEET 10 OF 15

W13 of 82123 K