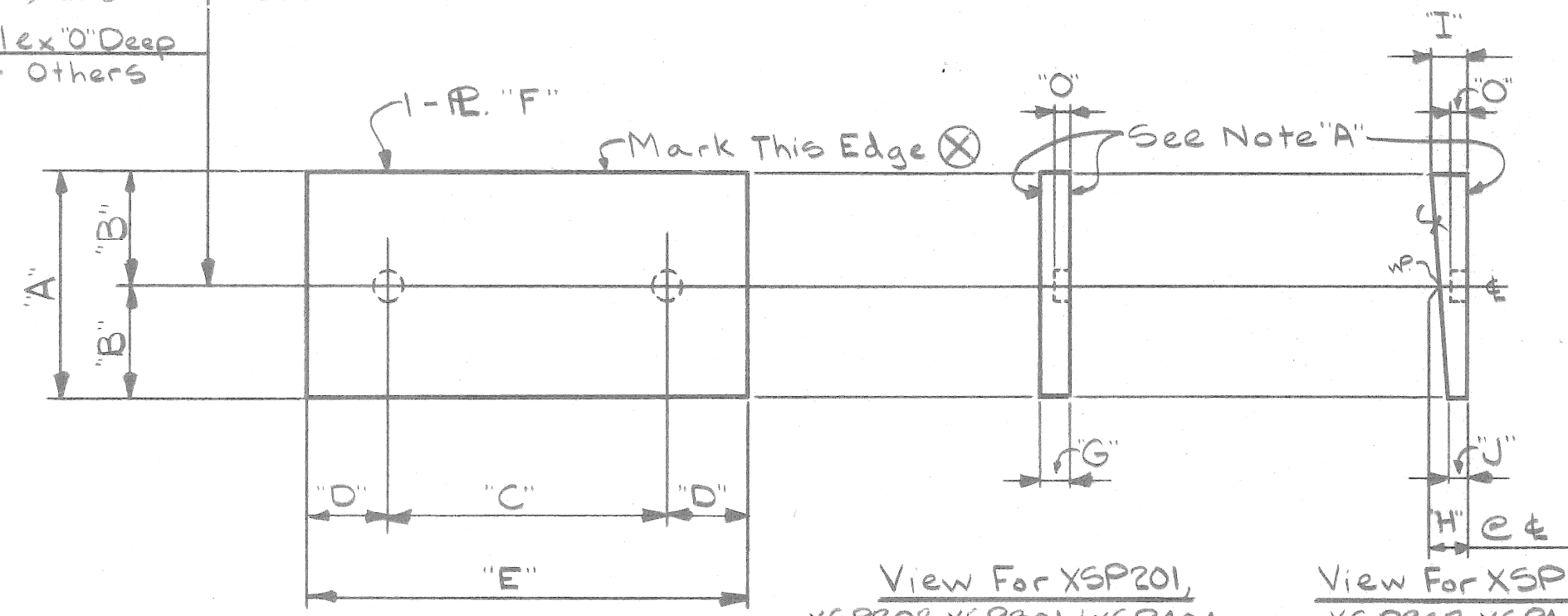
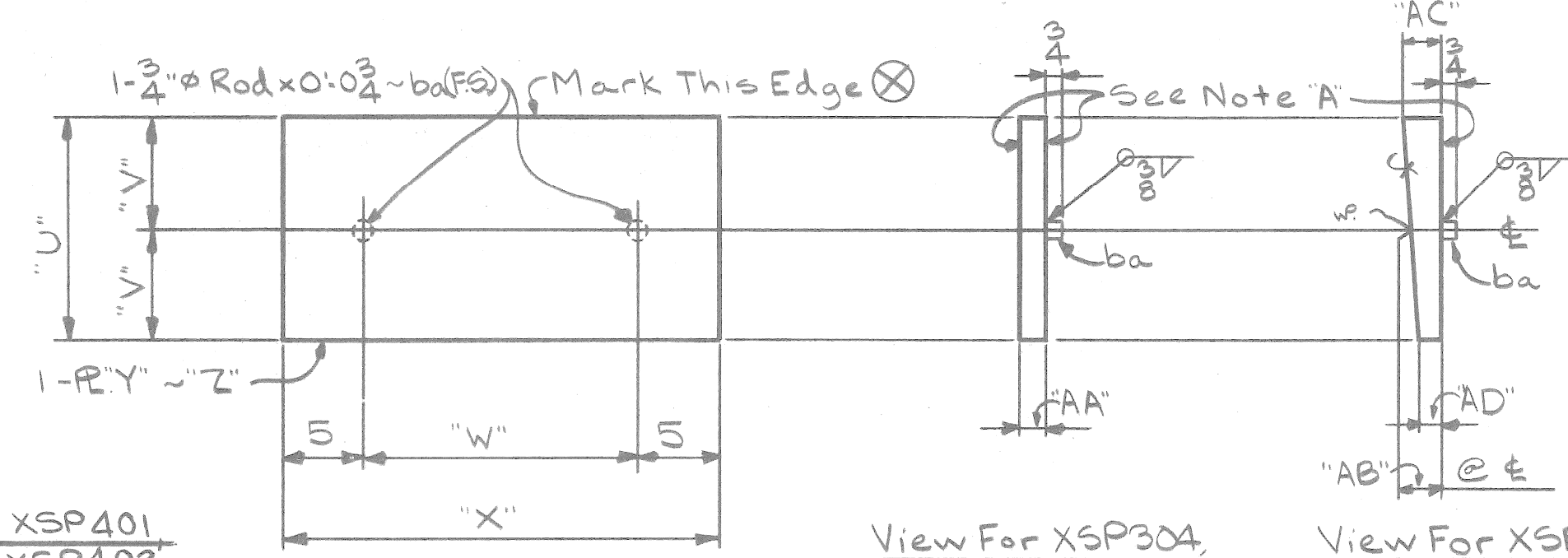


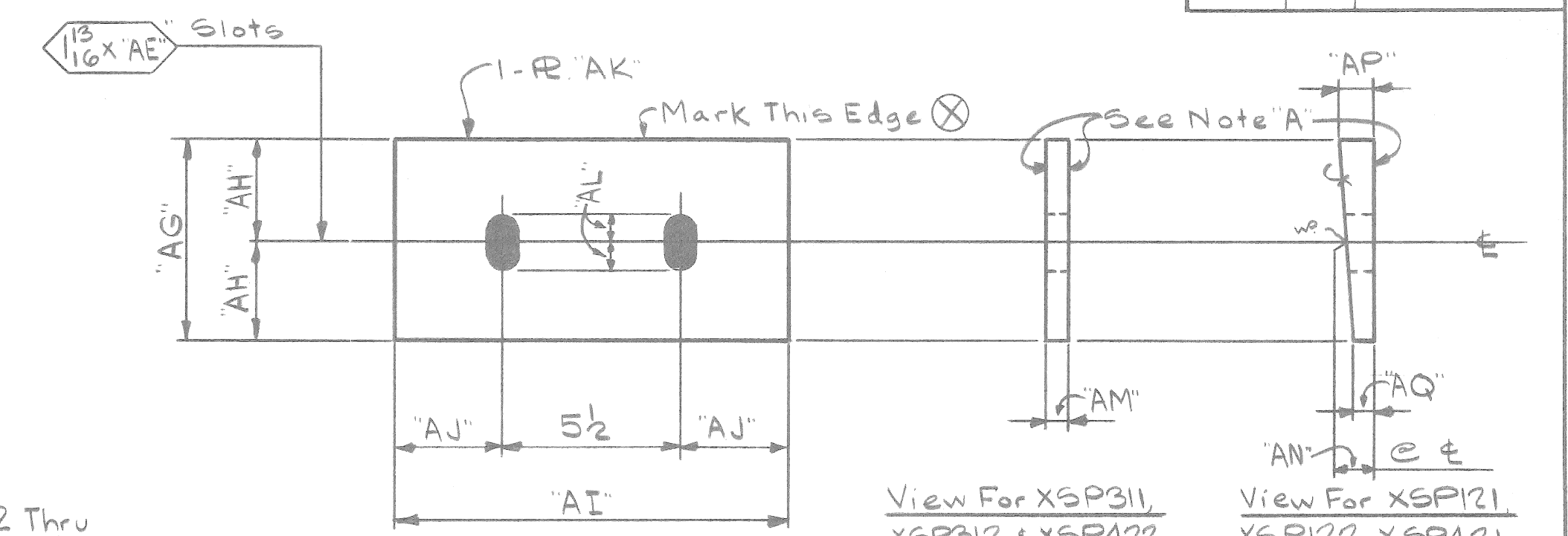
9/16" Hole x 2" Deep For XSP201, XSP202, XSP301 & XSP302  
 7/16" Hole x 0" Deep For Others



View For XSP201, XSP202, XSP301 & XSP404 Thru XSP406  
 View For XSP101 Thru XSP110, XSP401, XSP302, XSP407 Thru XSP411, XSP402, XSP403, XSP501 & XSP302



View For XSP304, XSP305, XSP309, XSP310, XSP416, XSP417, & XSP418  
 View For XSP112 Thru XSP120, XSP306, XSP307, XSP308, XSP415 & XSP419, XSP420, XSP503 Thru XSP508

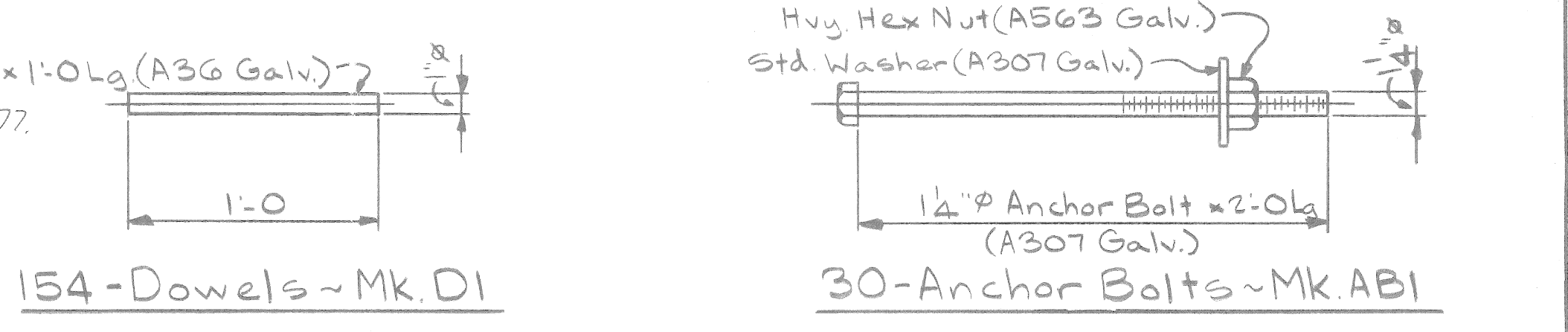


View For XSP311, XSP312 & XSP422  
 View For XSP121, XSP122, XSP421, XSP423, XSP509 & XSP510

Mark	Reqd.	"A"	"B"	"C"	"D"	"E"	"F"	"G"	"H"	"I"	"J"	"K"	Wt. Ea. Lbs.
XSP201	4	1-10	11	11	5 1/2	1-10	22 x 2 1/2 x 1-10	2 1/2				2	341.
XSP202	One	1-10	11	11	5 1/2	1-10	22 x 2 1/2 x 1-10	2 1/2				2	375.
XSP301	3	1-8	10	1-0	5 1/2	1-11	20 x 2 1/2 x 1-11	2 1/2				2	324.
XSP401	3	11	5 1/2	11	4	1-7	11 x 1" x 1-7	1"				2	59.
XSP402	One						11 x (1 3/32 x 2 9/32) x 1-7		1	1 3/32	2 9/32		59.
XSP403	One						11 x (2 3/32 x 2 5/32) x 1-7		2 1/2	2 3/32	2 5/32		133.
XSP404	2						11 x (1 1/2 x 1 5/32) x 1-7		1 1/2	1 1/2	1 5/32		73.
XSP405	One						11 x 2 1/2 x 1-4	2 1/2					124.
XSP406	One						11 x 1 1/2 x 1-4	1 1/2					87.
XSP101	One						11 x (3 1/2 x 2 5/32) x 1-1		2 1/2	3 1/2	2 5/32	2 1/2	109.
XSP102	One						11 x (2 3/32 x 1 3/32) x 1-1		2	2 3/32	1 3/32	1 1/2	79.
XSP103	One						11 x (1 3/32 x 1 1/2) x 1-1		1 1/2	1 3/32	1 1/2	1 1/4	60.
XSP104	2						11 x (1 1/16 x 1 1/16) x 1-1		1"	1 1/16	1 1/16	3/4	40.
XSP105	One						11 x (1 3/32 x 1 5/32) x 1-1		1 1/2	1 3/32	1 5/32	1 1/4	58.
XSP106	One						11 x (1 5/32 x 1 3/32) x 1-9		1 1/2	1 5/32	1 3/32	3/4	81.
XSP107	One						11 x (2 3/32 x 2 1/32) x 1-9		2 1/2	2 3/32	2 1/32		179.
XSP108	One						11 x (2 3/32 x 2 3/32) x 1-9		2 1/2	2 3/32	2 3/32		163.
XSP109	One						11 x (2 x 1 1/2) x 1-9		1 1/2	2	1 1/2		114.
XSP110	One						11 x (1 1/2 x 1") x 1-9		1 1/2	1 1/2	1"	3/4	81.
XSP302	2	1-8	10	1-0	5 1/2	1-11	20 x (2 3/32 x 2 3/32) x 1-11		2 1/2	2 3/32	2 3/32	2	356.
XSP407	One						11 x (1 1/16 x 1 5/16) x 1-4		1"	1 1/16	1 5/16	3/4	49.
XSP408	One						11 x (2 1/16 x 2 1/16) x 1-4		2 1/2	2 1/16	2 1/16		112.
XSP409	One						11 x (1 1/16 x 1 1/16) x 2-1		1 1/2	1 1/16	1 1/16		116.
XSP410	One						11 x (2 1/32 x 2 1/32) x 2-1		2 1/2	2 1/32	2 1/32		193.
XSP411	One						11 x (1 1/8 x 1 1/8) x 2-1		1 1/2	1 1/8	1 1/8		116.
XSP501	3	10	5	8		1-4	10 x (1 1/16 x 1 1/16) x 1-4		1"	1 1/16	1 1/16	3/4	45.
XSP502	One						10 x (2 1/16 x 2 1/16) x 1-4		2 1/2	2 1/16	2 1/16	2 1/4	111.

Mark	Reqd.	"U"	"V"	"W"	"X"	"Y"	"Z"	"AA"	"AB"	"AC"	"AD"	Wt. Ea. Lbs.
XSP112	One	9	4 1/2	10	1-8	9 x (3 1/16 x 2 1/16) x 1-8	bb		3	3 1/16	2 1/16	153.
XSP113						9 x (2 1/16 x 2 1/16) x 1-8	bc		2 1/2	2 1/16	2 1/16	128.
XSP114						9 x (2 3/32 x 1 3/32) x 1-8	bd		2	2 3/32	1 3/32	102.
XSP115						9 x (1 3/32 x 1 3/32) x 1-8	bf		1 1/2	1 3/32	1 3/32	77.
XSP116		9	4 1/2	10	1-8	9 x (3 3/32 x 3 3/32) x 1-8	bg		1 1/2	3 3/32	3 3/32	26.
XSP117	One	1-8	10	1-1	1-11	20 x (2 1/2 x 2) x 1-11	bh		2 1/2	2 1/2	2	293.
XSP118	2					20 x (2 x 1 1/2) x 1-11	bk		1 1/2	2	1 1/2	228.
XSP119	One					20 x (1 1/2 x 1") x 1-11	bm		1 1/2	1 1/2	1"	163.
XSP120	One	1-8	10	1-1	1-11	20 x (1 3/4 x 1 1/4) x 1-11	bn		1 1/2	1 3/4	1 1/4	196.
XSP304	4	1-2	7	1-4	2-2	14 x 2 x 2-2	bp	2				206.
XSP305	One	1-2	7	1-4	2-2	14 x 2 3/4 x 2-2	bs	2 3/4				284.
XSP306		1-5	8 1/2	1-1	1-11	17 x (1 3/8 x 1 5/8) x 1-11	bt		1 1/2	1 3/8	1 5/8	194.
XSP307						17 x (2 5/8 x 2 3/8) x 1-11	bw		2 1/2	2 5/8	2 3/8	194.
XSP308						17 x (1 3/32 x 1 3/32) x 1-11	bx		1 1/2	1 3/32	1 3/32	194.
XSP309						17 x 2 1/2 x 1-11	baa	2 1/2				277.
XSP310		1-5	8 1/2			17 x 2 x 1-11	bab	2				222.
XSP415		7	3 1/2			7 x (1 1/2 x 3/4) x 1-11	bac		1"	1 1/2	3/4	111.
XSP416	One	7	3 1/2	1-1	1-11	7 x 1" x 1-11	bad	1"				111.
XSP417	2	9	4 1/2	10	1-8	9 x 1" x 1-8	bae	1"				51.
XSP418	One	9	4 1/2	10	1-8	9 x 2 3/4 x 1-8	bae	2 3/4				140.
XSP419	2	1-0	6	1-0	1-10	12 x (1 3/16 x 1 13/32) x 1-10	bah		1 1/2	1 3/16	1 13/32	112.
XSP420	One	1-0	6	1-0	1-10	12 x (1 1/8 x 1 1/8) x 1-10	bak		1 1/2	1 1/8	1 1/8	112.
XSP503	3	1-3 1/2	7 1/2	9	1-7	15 1/2 x (1 1/2 x 3/4) x 1-7	bam		1"	1 1/2	3/4	84.
XSP504	One	1-1	6 1/2	1-1	1-11	13 x (2 3/32 x 2 3/32) x 1-11	ban		2 1/2	2 3/32	2 3/32	191.
XSP505	2	1-1	6 1/2			13 x (1 3/32 x 2 3/32) x 1-11	bap		1"	1 3/32	2 3/32	85.
XSP506	One	1-1 1/2	6 3/4			13 1/2 x (1 1/16 x 1 1/16) x 1-11	bas		1"	1 1/16	1 1/16	88.
XSP507	One	1-1 1/2	6 3/4			13 1/2 x (2 1/32 x 2 1/32) x 1-11	bat		2 1/2	2 1/32	2 1/32	198.
XSP508	2	1-1 1/2	6 3/4	1-1	1-11	13 1/2 x (1 1/32 x 2 1/32) x 1-11	baw		1"	1 1/32	2 1/32	88.

Mark	Reqd.	"AE"	"AG"	"AH"	"AI"	"AJ"	"AK"	"AL"	"AM"	"AN"	"AP"	"AQ"	Wt. Ea. Lbs.	
XSP121	One	2	9	4 1/2	1-8	7 1/4	9 x (2 3/16 x 2 3/16) x 1-8	1"			2	2 3/16	1 3/16	99.
XSP122		3	1-8	10	1-11	8 1/2	20 x (1 1/16 x 1 1/16) x 1-11	1 1/2		1 1/2	1 1/16	1 1/16	191.	
XSP311		3	1-2	7	2-2	10 1/4	14 x 2 x 2-2	1 1/2	2				201.	
XSP312		3	1-5	8 1/2	1-11	8 1/2	17 x 1 1/2 x 1-11	1 1/2	1 1/4				189.	
XSP421		2	7	3 1/2	1-11	8 1/4	7 x (1 1/16 x 1 5/16) x 1-11	1"		1"	1 1/16	1 5/16	44.	
XSP422		2	9	4 1/2	1-8	7 1/4	9 x 1" x 1-8	1"	1"				49.	
XSP423		2	1-0	6	1-10	8 1/4	12 x (1 1/32 x 1 13/32) x 1-10	1"		1 1/2	1 1/32	1 13/32	110.	
XSP509		5	1-3 1/2	7 1/2	1-7	6 3/4	15 1/2 x (1 1/8 x 3/4) x 1-7	2 1/2		1"	1 1/8	3/4	79.	
XSP510	One	4	1-1	6 1/2	1-11	8 1/4	13 x (1 5/32 x 2 1/32) x 1-11	2		1"	1 5/32	2 1/32	81.	



154 - Dowels ~ Mk. DI  
 Galvanizing Specs. - ASTM. A153  
 Tot. Wt. 411. Lbs.  
 30 - Anchor Bolts ~ Mk. AB1  
 Tot. Wt. 344. Lbs.

**APPROVED**  
 Notes: All Steel To Be ASTM A588 (UN) For General Notes See Dwg. N1.  
 Note "A": Surfaces Indicated Are To Be Straight And True; Finish If Necessary.

REVIEWED: [ ] NOT REVIEWED: [ ]  
 REVIEWED AS NOTED: [ ]  
 REVISE AND RESUBMIT: [ ]

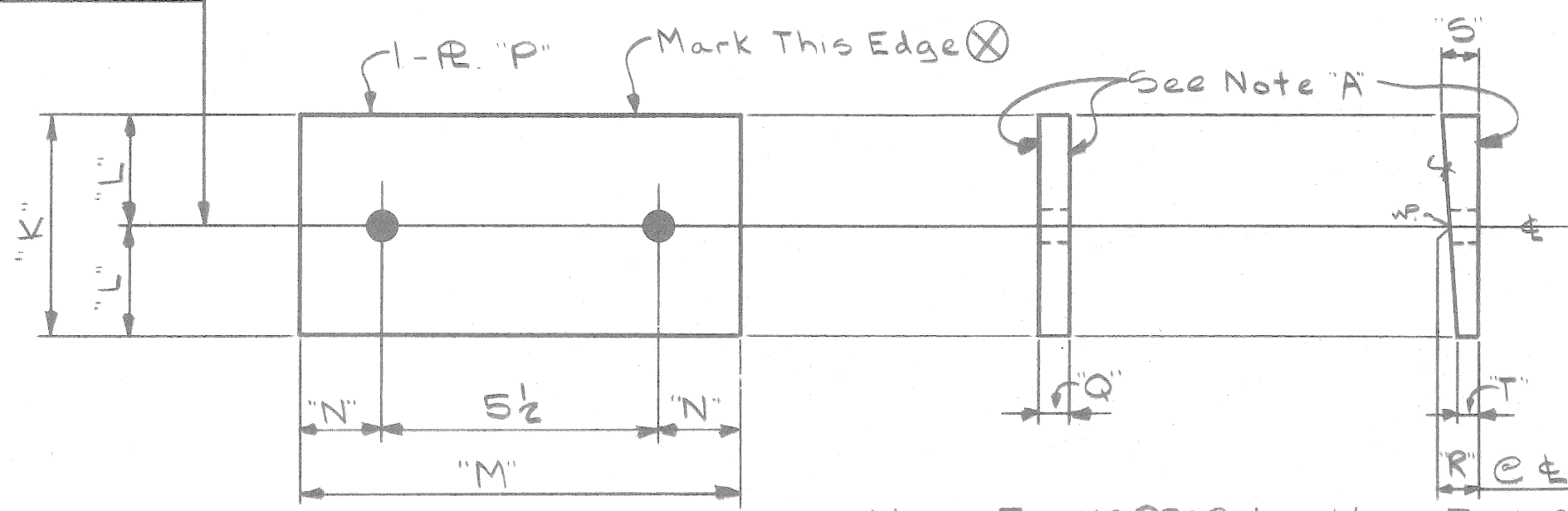
BY: \_\_\_\_\_ DATE: DEC 21 1979  
 SNELL ENVIRONMENTAL GROUP, INC.  
 LANSING, MICHIGAN

**SHOP NOTE**  
 HOLES: As Noted  
 BOLTS: None  
 PAINT: None

NO.	REVISION	DATE
HIGH STEEL STRUCTURES, INC. 1911 OLD PHILADELPHIA PIKE LANCASTER, PA.		
Bearing Details John C. Lodge Exit Ramp And Jefferson Ave. Reconst At The Joe Louis Arena City of Detroit State of Michigan Wayne County		
STATE CONT. Job No. 16563A OR REF. NO. 820 of 82111 CONTRACTOR: Jutton Kelly Co. In Charge: Grosland		
MADE BY: S.J.A. CHECKED BY: W.R.C. DATE: 11-16-79		
CONTRACT NO. MC-79150 DRAWING NO. 1 of 1		

a 7/16  
b 1 1/2  
c 1 1/2  
d 1 1/2  
e 1 1/2  
f 1 1/2  
g 1 1/2  
h 1 1/2  
i 2 1/2  
j 1 1/2  
k 1 1/2  
l 1 1/2  
m 1 1/2  
n 1 1/2  
o 1 1/2  
p 4 2  
q 1 1/2  
r 1 1/2  
s 1 1/2  
t 1 1/2  
u 1 1/2  
v 1 1/2  
w 1 1/2  
x 1 1/2  
y 1 1/2

9/16" Hole For XSP203 & XSP303  
 7/16" Hole For Others



View For XSP203 & XSP303  
 View For XSP411, XSP412, XSP413 & XSP414

Mark	Reqd.	"K"	"L"	"M"	"N"	"P"	"Q"	"R"	"S"	"T"	Wt. Ea. Lbs.
XSP111	One	11	5 1/2	1-9	7 3/4	11 x (3 x 2 1/2) x 1-9		2 1/2	3	2 1/2	177.
XSP203		1-10	11	1-10	8 1/4	22 x 2 1/2 x 1-10	2 1/2				340.
XSP303		1-8	10	1-11	8 1/4	20 x 2 1/2 x 1-11	2 1/2				323.
XSP412		11	5 1/2	1-7	6 3/4	11 x (1 1/32 x 1 1/32) x 1-7		1 1/2	1 3/32	1 3/32	73.
XSP413		11	5 1/2	1-4	5 1/4	11 x (1 3/32 x 2 9/32) x 1-4		1"	1 3/32	2 9/32	49.
XSP414	One	11	5 1/2	2-1	9 3/4	11 x (1 3/32 x 1 1/32) x 2-1		1 1/2	1 3/32	1 1/32	115.