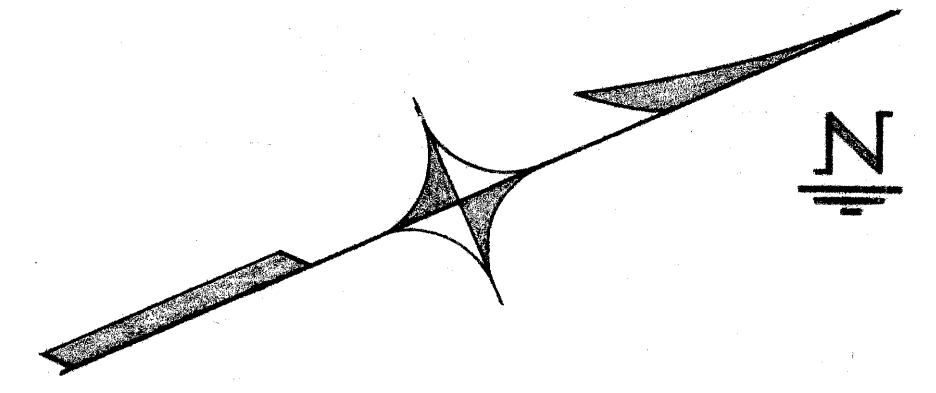
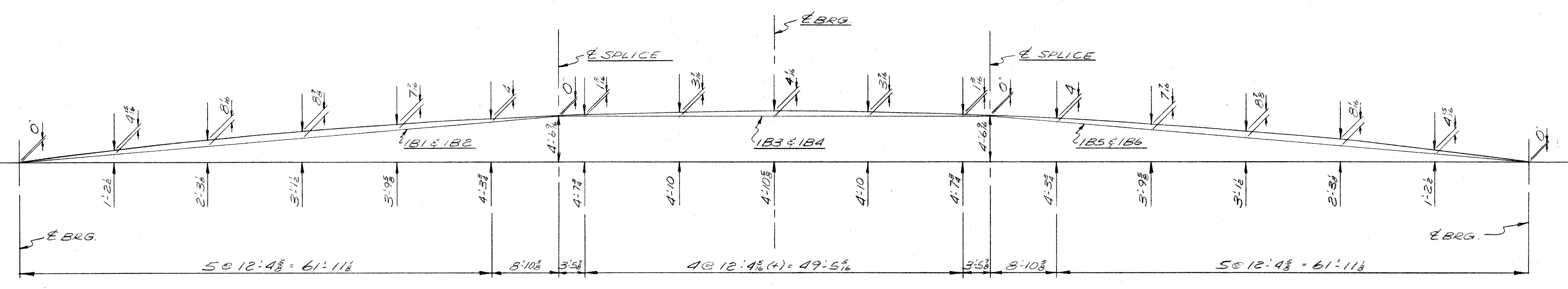


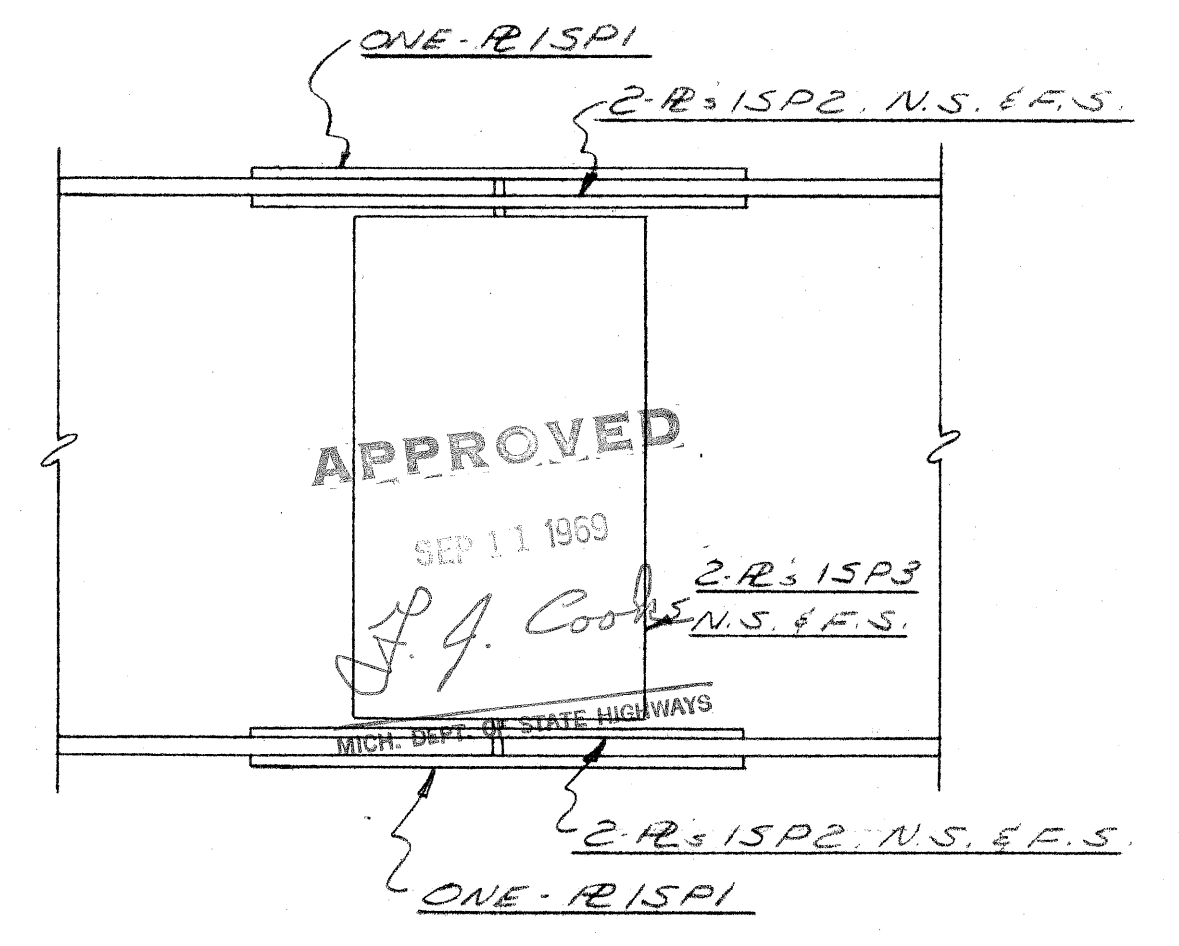
ERECTION DIAGRAM



L
JL



CAMBER DIAGRAM
LENGTHS TAKEN ALONG BOT. FLG.



SPLICE DETAIL

REVISION			
NO.	DESCRIPTION	DATE	BY

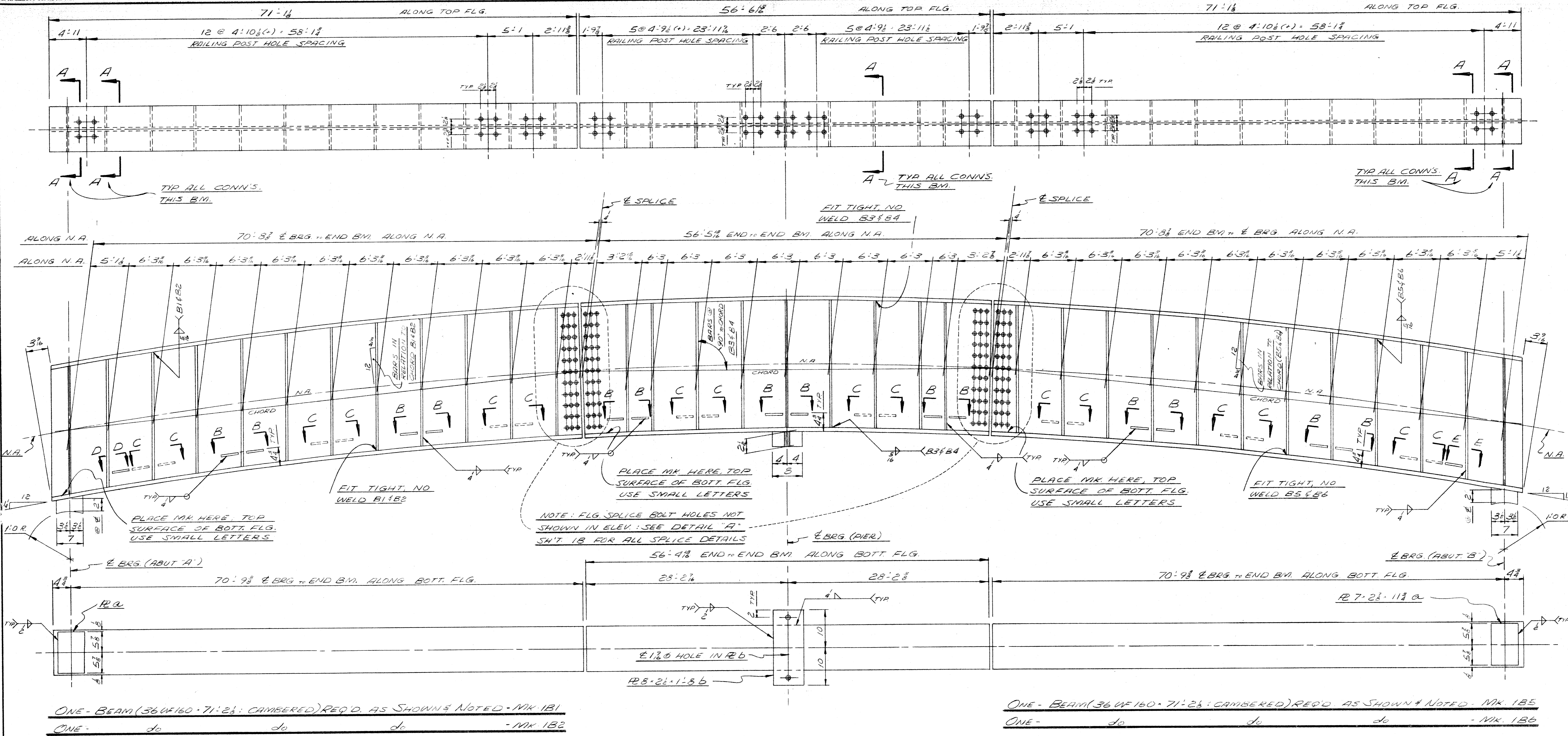
F. YEAGER
BRIDGE & CULVERT COMPANY
 1701 KEARNEY ST. — PORT HURON, MICH.

BRIDGE POB OF 82123J
 ROOSEVELT AVE PEDESTRIAN BRIDGE
 CROSSING THE JEFFRIES FREEWAY
 IN DETROIT

K.G. MARKS, INC. CONT'R.

DATE 8-11-69
 BY D. LEFFLER

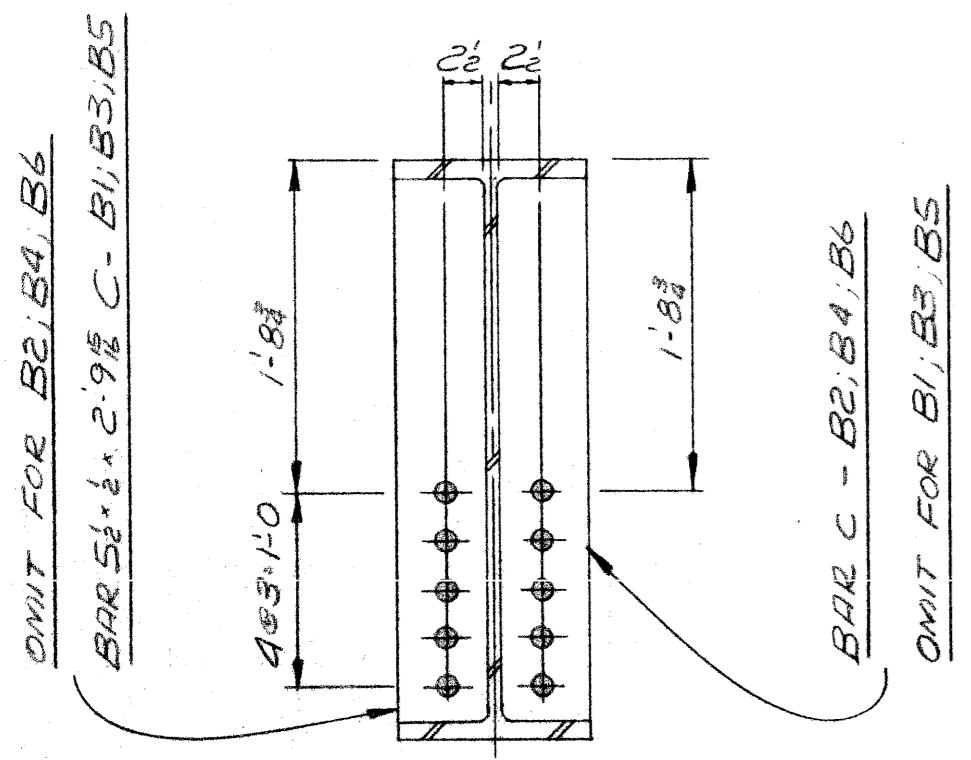
JOB NO. 4685
 SHEET E1



ONE - BEAM (36 WF 160 - 71'-2 1/2' : CAMBERED) REQ'D AS SHOWN & NOTED - MK 1B1
 ONE - do do do do - MK 1B2

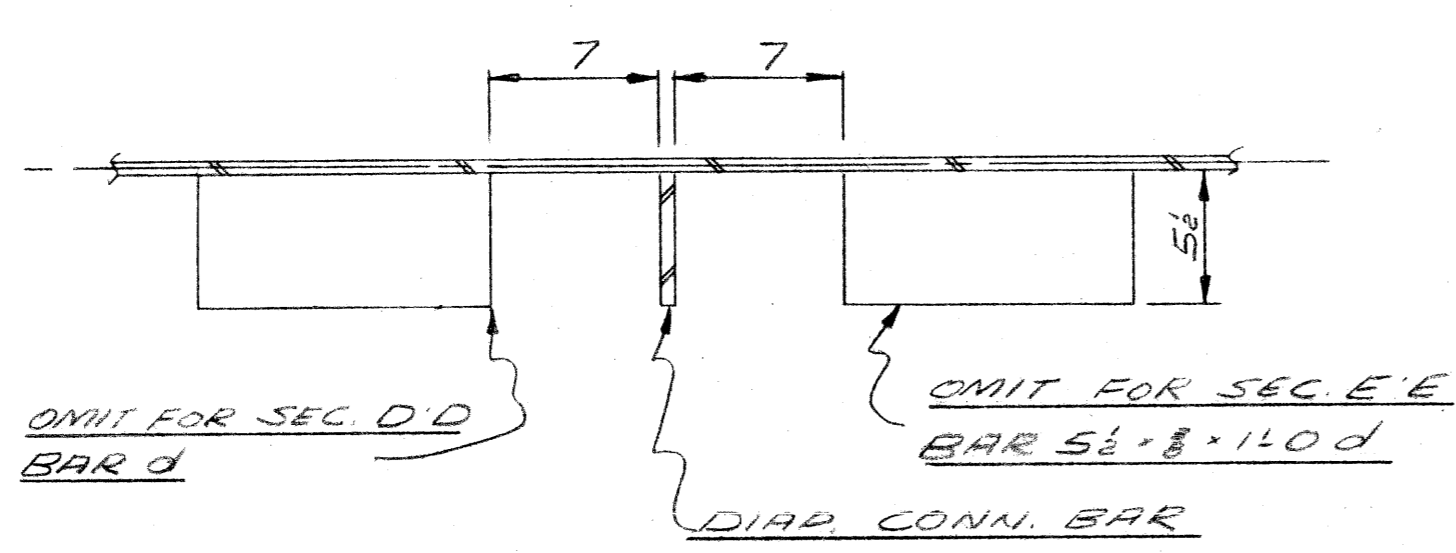
ONE - BEAM (36 WF 160 - 71'-2 1/2' : CAMBERED) REQ'D AS SHOWN & NOTED - MK 1B5
 ONE - do do do do - MK 1B6

ONE - BEAM (36 WF 160 - 56'-6 1/2' : CAMBERED) REQ'D AS SHOWN & NOTED - MK 1B3
 ONE - do do do do - MK 1B4

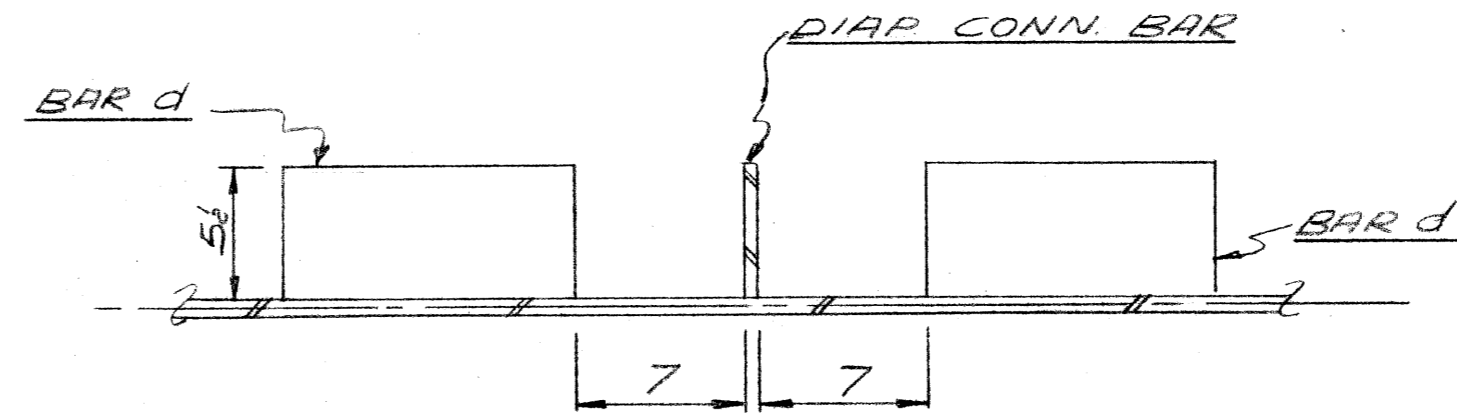


SECTION A A

TYP 12 PLACES - SPAN * 1 1/2 * 3
 TYP 9 PLACES - SPAN * 2



SECTION B B, D D, E E



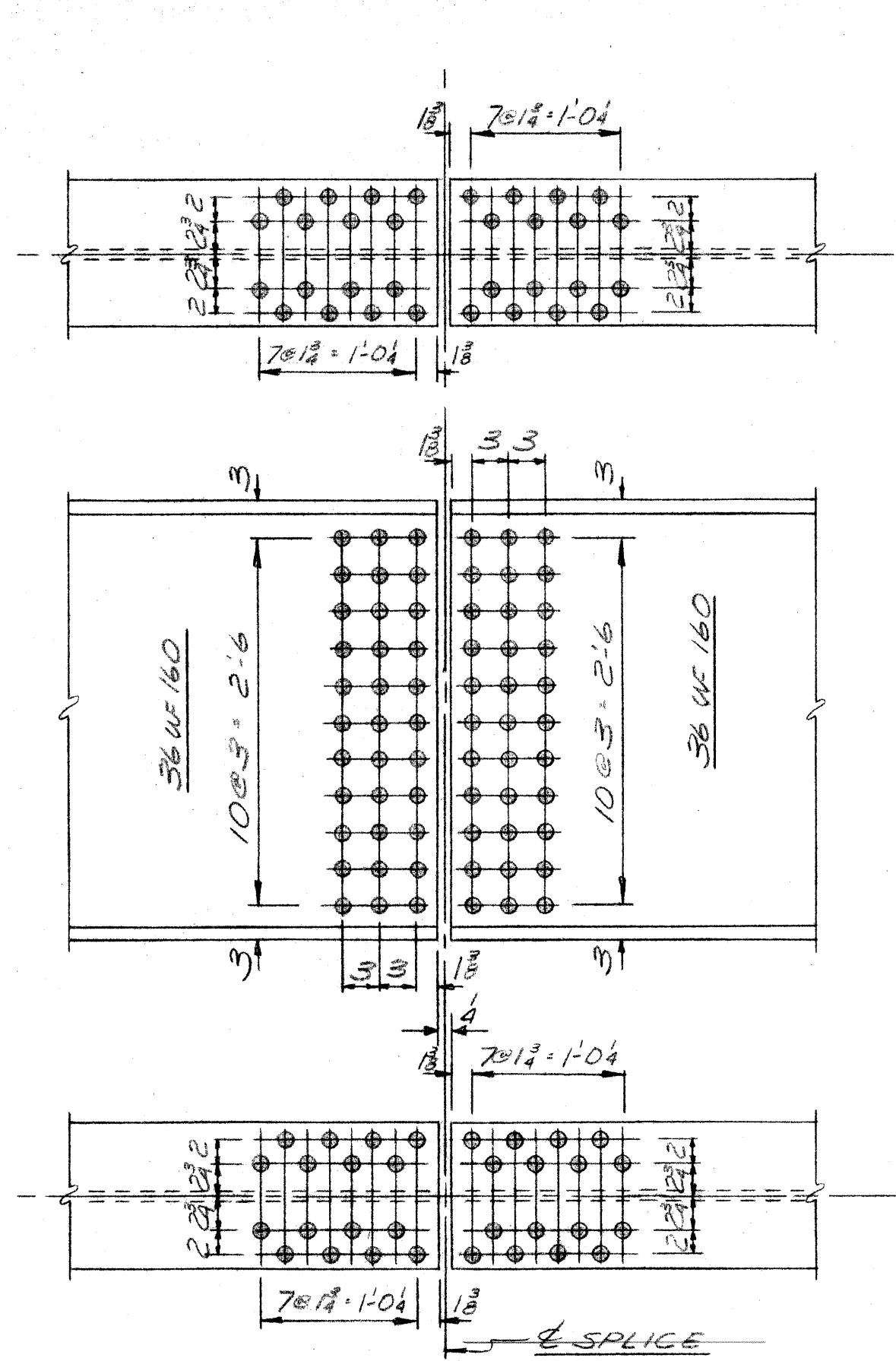
SECTION C C

APPROVED

SEP 11 1969
 J. G. Cook

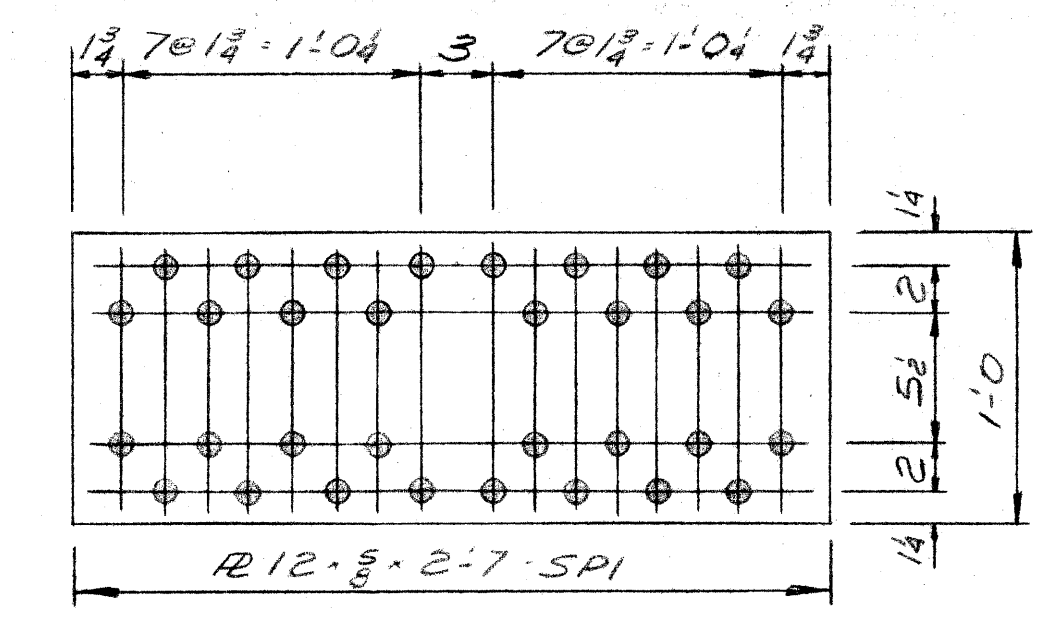
SEE SH'T E1 FOR CAMBER DIAGRAM
 MICH. DEPT. OF STATE HIGHWAYS
 WORK THIS SH'T W/ SH'T # 1B FOR OTHER DETAILS & SHOP NOTES

REVISION				F. YEAGER	
NO.	DESCRIPTION	DATE	BY	BRIDGE & CULVERT COMPANY	
				1701 KEARNEY ST. - PORT HURON, MICH	
				BRIDGE P06 # 82123 J	
				ROOSEVELT AVE PEDESTRIAN BRIDGE	
				CROSSING THE JEFFERIES FREEWAY	
				IN DETROIT	
				H.G. MARKS INC. CONT'R	
				DATE 8-6-69	JOB NO. S-4685
				BY D. LEFFLER	SHEET 1A OF

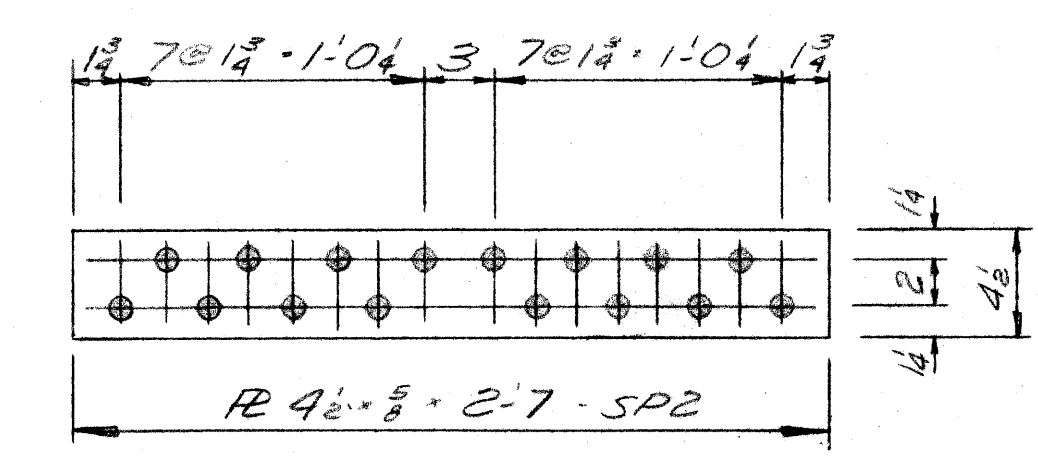


DETAIL "A"

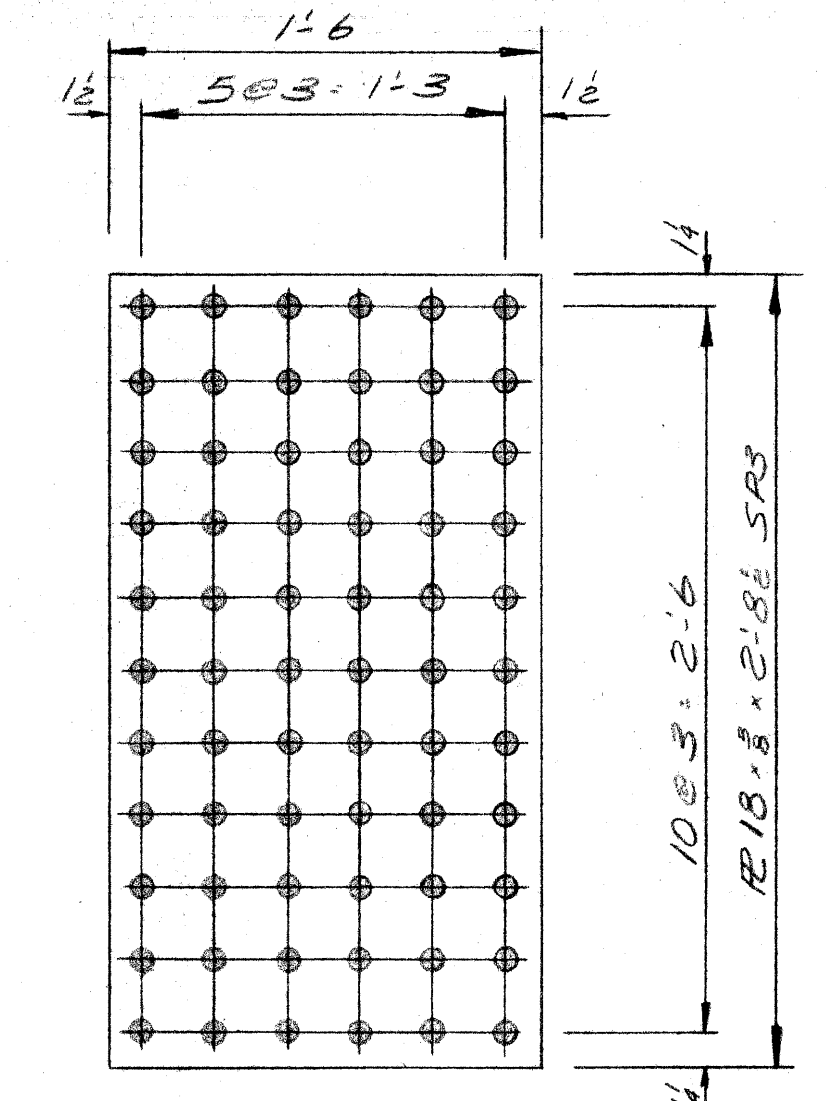
SEE SHOP NOTES FOR HOLE SIZE



8- SPLICE REIN. REQ'D AS SHOWN - MK 1SP1

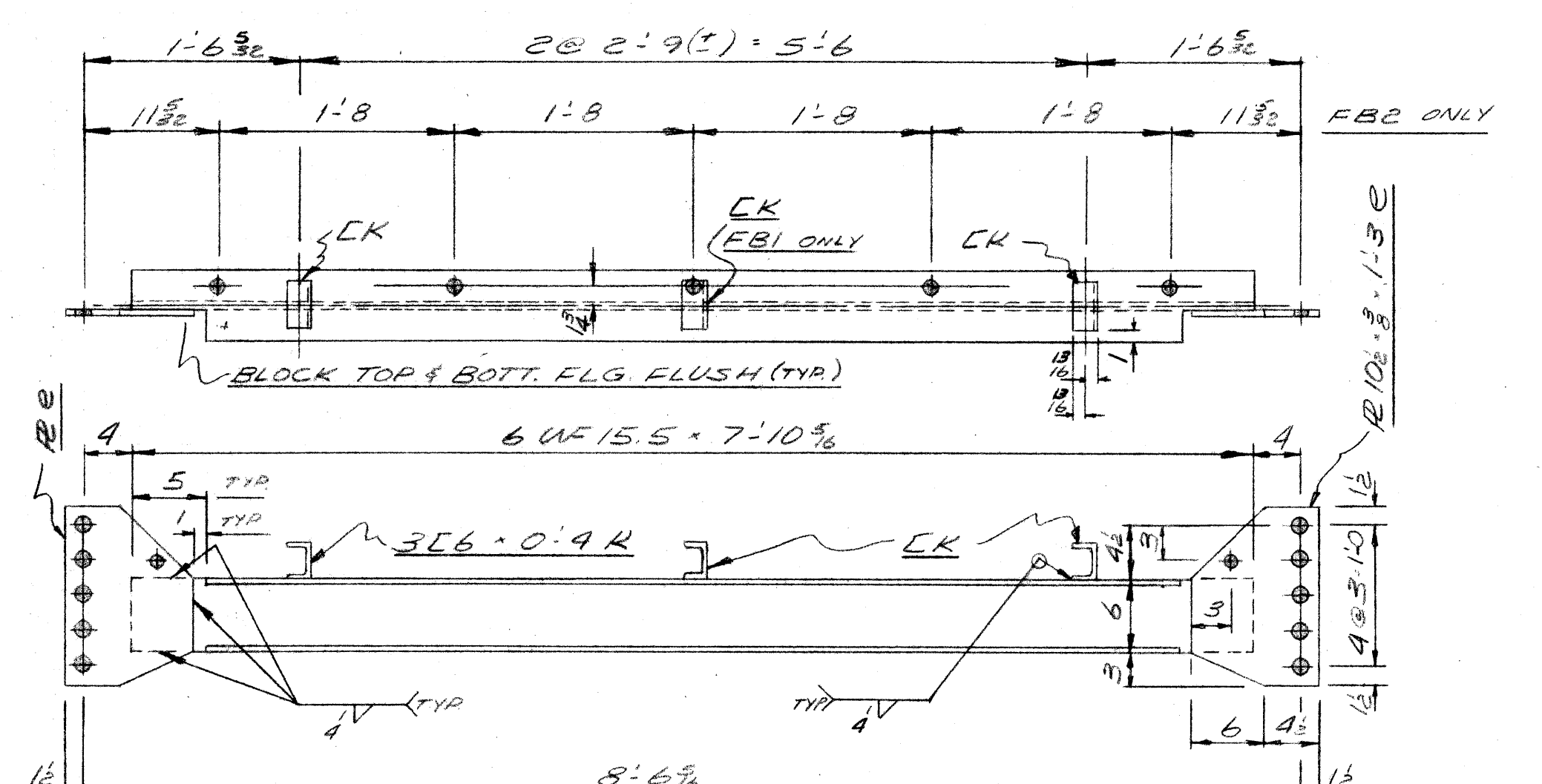


16- SPLICE REIN. REQ'D AS SHOWN - MK 1SP2

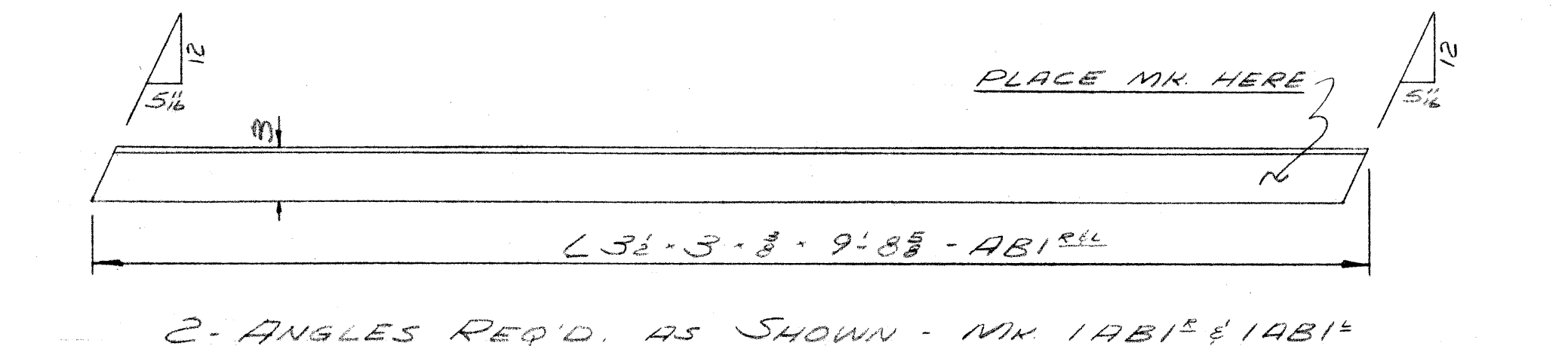


8- SPLICE REIN. REQ'D AS SHOWN - MK 1SP3

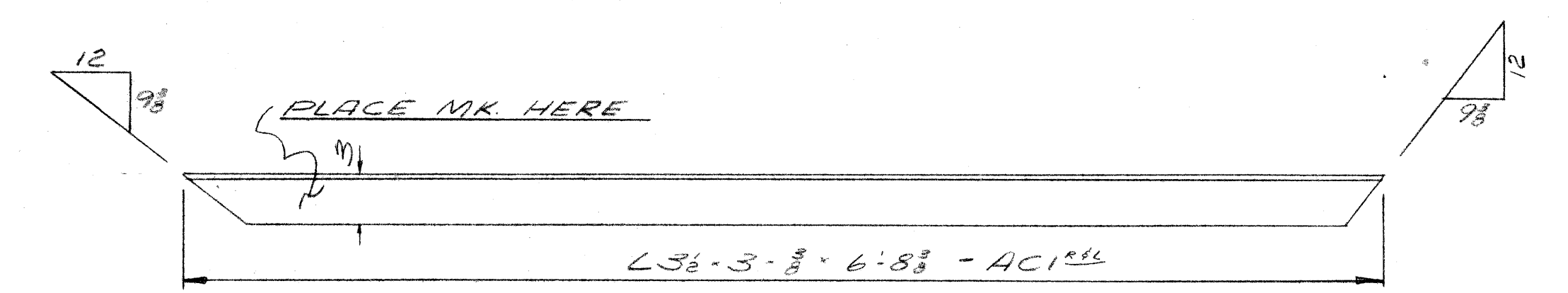
SHOP NOTES
 FABRICATE PER M.D.S.H. 1967 SPEC'S. STRUCTURAL STEEL SHALL BE A-588. NO PAINTING IS REQ'D. NO ROUNDING OF EDGES IS REQ'D. MARK MATERIAL ONLY AS INDICATED IN DETAILS. OPEN HOLES SHALL BE 1/8" EXCEPT FIELD SPLICE COMPONENTS WHICH SHALL BE SUB-PUNCHED OR SUB-DRILLED AND THEN REAMED TO 1/8" OR DRILLED FROM THE SOLID TO 1/8" WITH THE BEAM'S SHOP ASSEMBLED. SHOP BLAST BEAMS ONLY. CAMBER BEAMS AS INDICATED IN CAMBER DIAGRAM. CAMBER TOLERANCE IS ± 1/4". WELDS SHALL POSSESS A CORROSION RESISTANCE EQUAL TO THAT OF THE BASE MATERIAL. SEE DETAIL OF LIFTING LUGS FOR THE HANDLING OF STRINGERS.



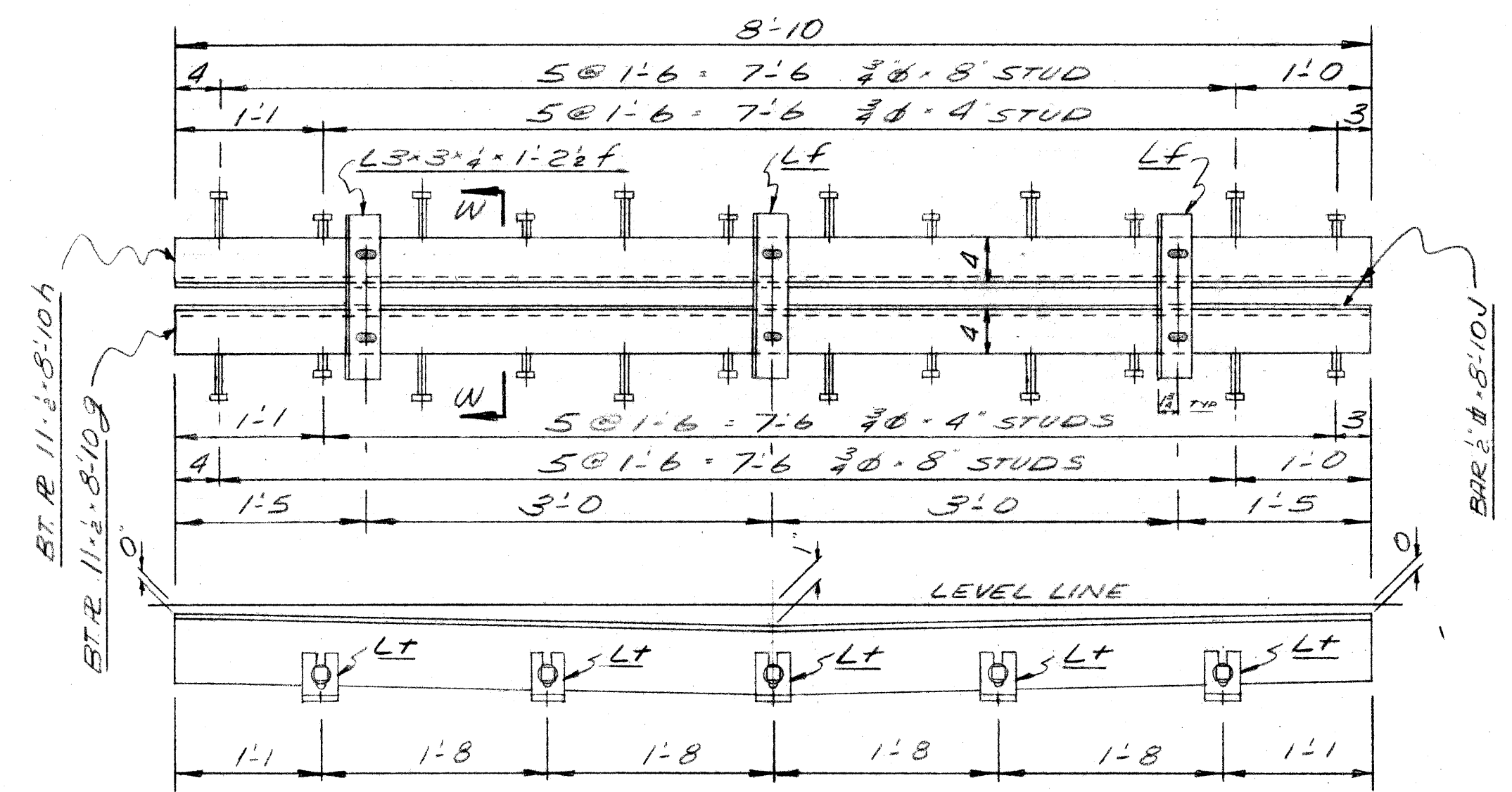
31-FLOOR BEAMS REQ'D AS SHOWN & NOTED - MK 1FB1
 2-FLOOR BEAMS do do - MK 1FB2



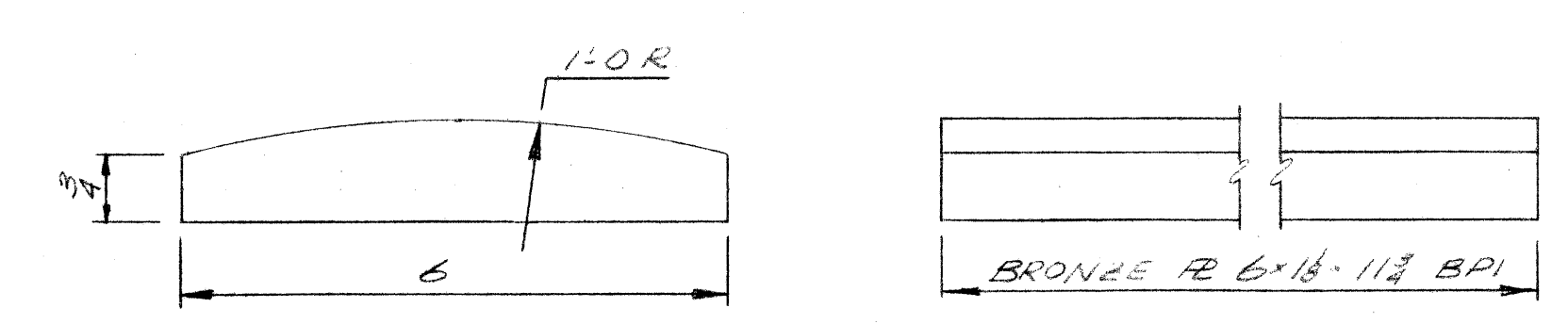
2- ANGLES REQ'D AS SHOWN - MK 1AB1 & 1AB2



28- ANGLES REQ'D AS SHOWN - MK 1AC1 & 1AC2

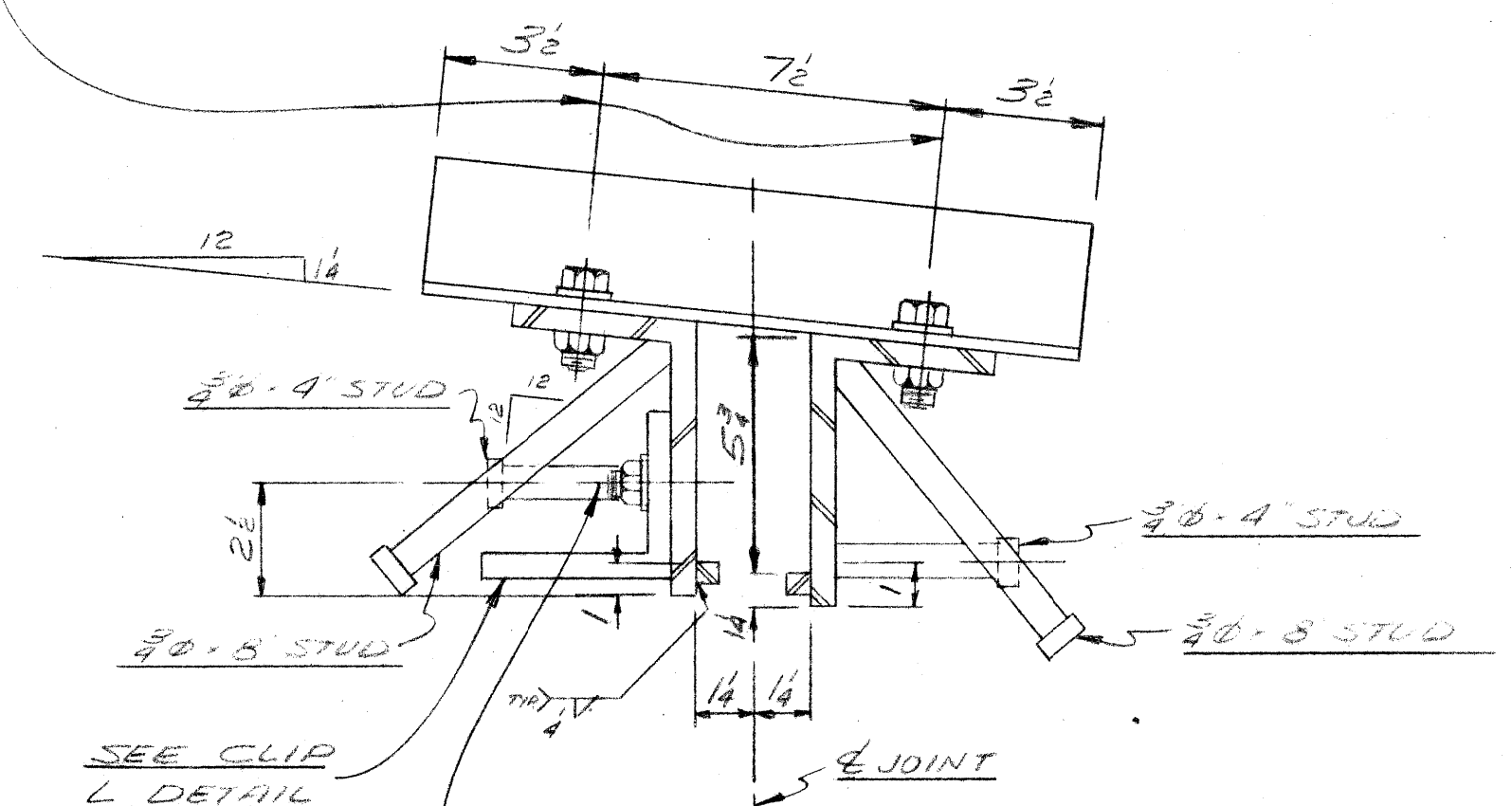


2- EXP. JTS. REQ'D AS SHOWN & NOTED - MK 1EJ1

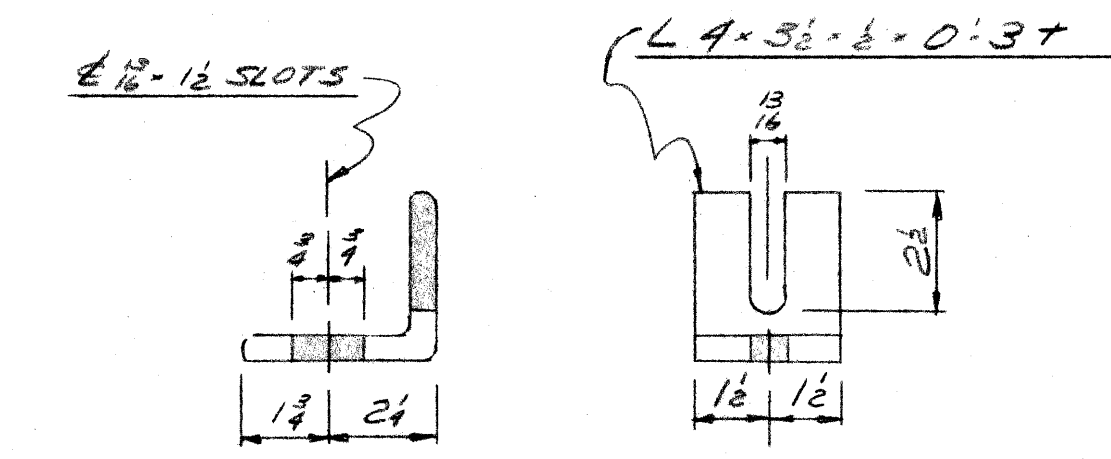


4- BRONZE REIN. REQ'D AS SHOWN - MK 1BP1

2 3/8" x 1/4" SLOTS IN LF; 3/8" HOLES IN BT. REIN. FOR 1/2" DIA. 1/2" SQ. HD. BOLT; SQ. NUT & FL. WA. TACK WELD NOT TO 9 ON 10



SECTION W-W



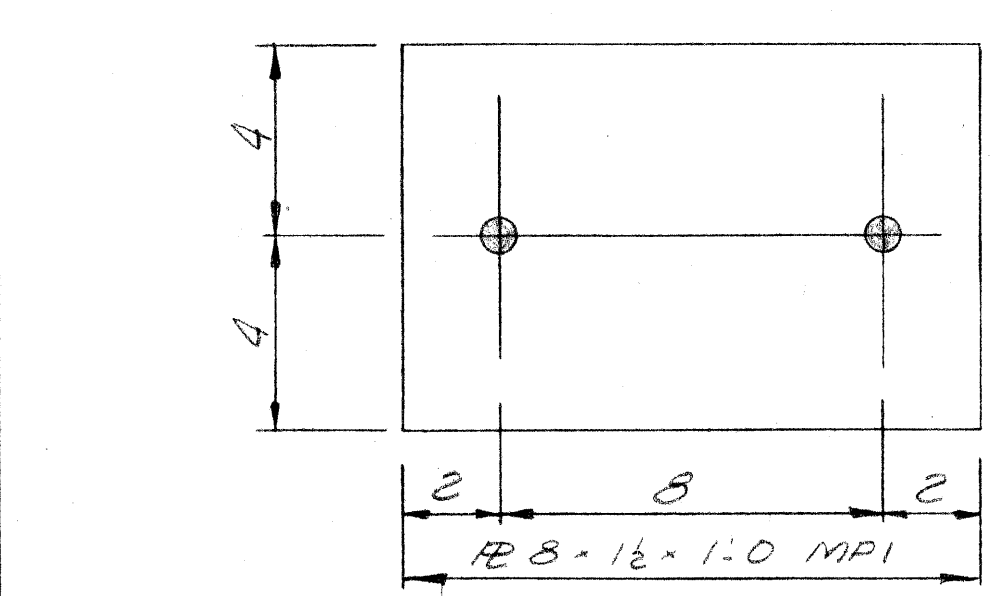
CLIP ANGLE DETAIL

NOTE: ALL BOLTS, NUTS, & WASHERS ARE A WEATHER TYPE

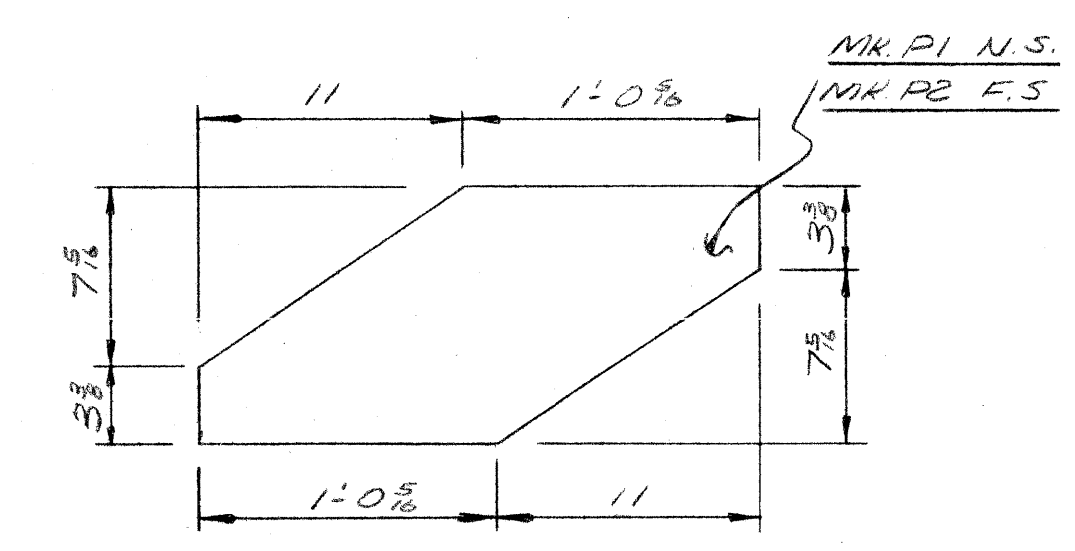
CT.	SHIP	FIELD BOLTS
264	277	3/8" x 2 1/4" H. HEX. HD. H.S. BOLT; H. HEX. NUT
256	269	3/8" x 3/4" do do
10	11	3/8" x 2 do do
330	346	3/8" x 2 1/4" do do
520	546	3/8" H.F.L. WASHERS
340	357	3/8" H.F.L. WASHERS

ANCHOR BOLTS

4- 1" x 1 1/2" (2 1/2" THD) STD. SQ. HD. MACH. BOLT; 2 HEX. NUTS GALV. A. BOLTS PER A.S.T.M. - A155



4- MAS. REIN. REQ'D AS SHOWN - MK 1MP1 GALV. PER A.S.T.M. - A153

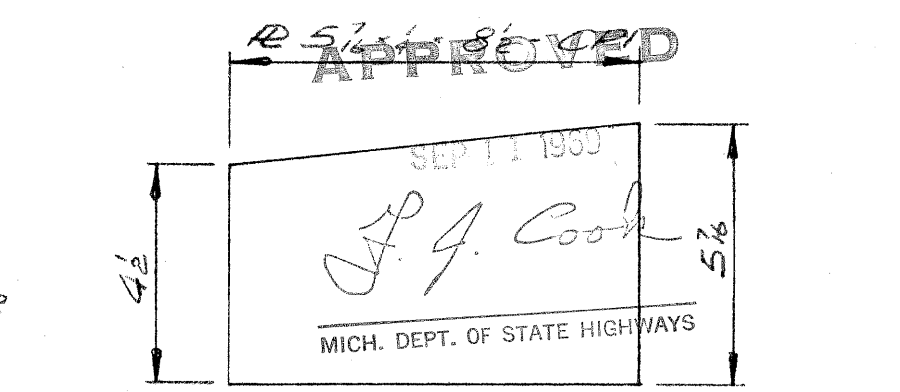


7- PLATES (10 1/2" x 1-11 1/2") REQ'D AS SHOWN & NOTED - MK 1P1
 7- do do do do - MK 1P2

PLAIN MATERIAL

- 4- REIN. 4 1/2" x 1-0 CP2
- 8- BARI 1" x 1-0 - POS. DOWELS GALV. POS. DOWELS PER A.S.T.M. - A153

MISC. MAT.
 2- A.S.T.M. A486 GRAY IRON OR A.S.T.M. A399.55 DUCTILE IRON DRAINAGE FRAME & GRATE (1-2' x 4' x 0)



8- CLOSURE REIN. REQ'D - MK 1CP1

REVISION			
NO.	DESCRIPTION	DATE	BY

F. YEAGER
BRIDGE & CULVERT COMPANY
 1701 KEARNEY ST. - PORT HURON, MICH

BRIDGE P06-82123 J
 ROOSEVELT AVE. PEDESTRIAN BRIDGE
 CROSSING THE JEFFERIES FREEWAY
 IN DETROIT

R.G. MARKS INC. CONT'R
 DATE 8-6-67 JOB NO. 4685 SHEET 13 of 1
 BY D. LEFFLER