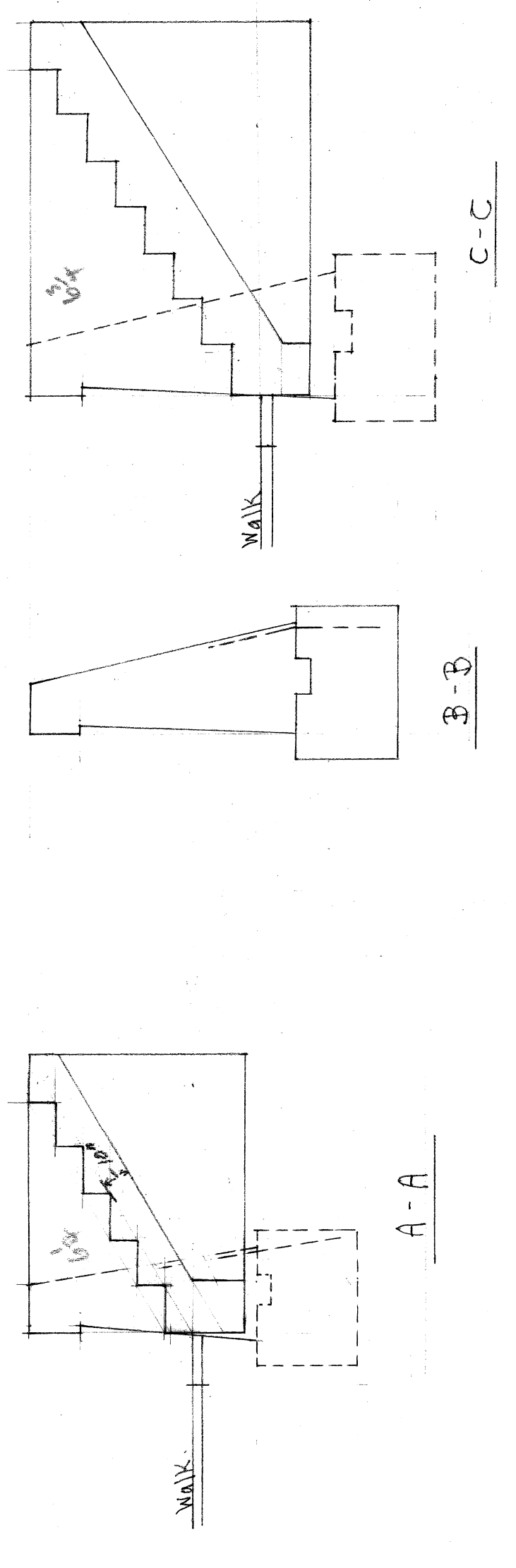
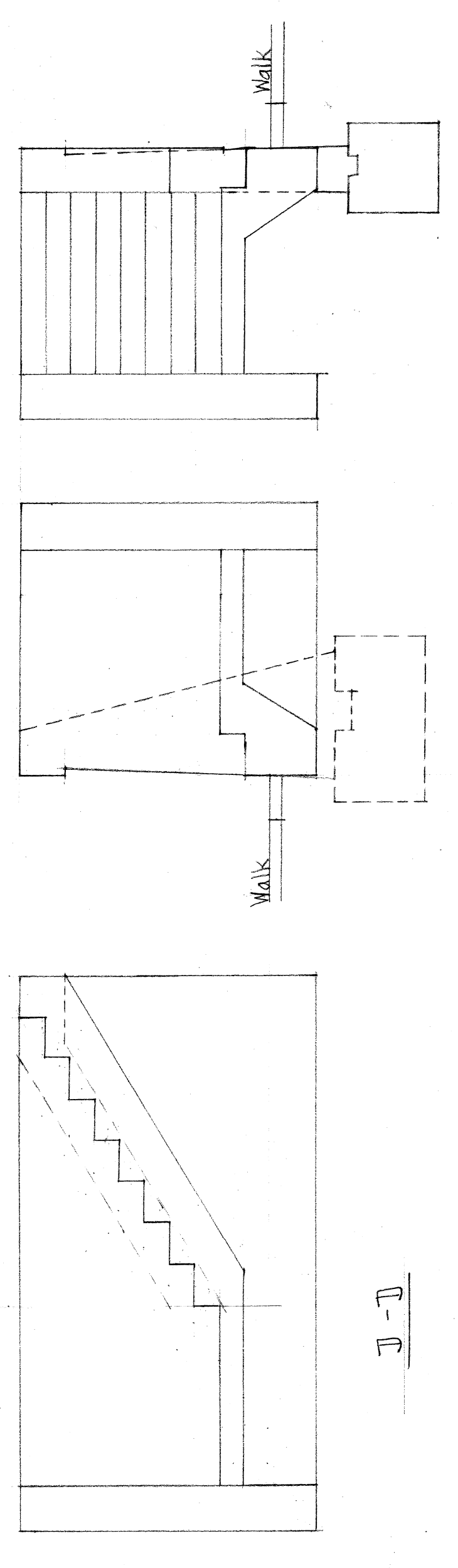


PLAN

STREET ELEVATION

NOTE:- General Notes and other details
Same as on drawing of walls
proposed to be built.



CITY OF DETROIT
DEPARTMENT OF PUBLIC WORKS - OFFICE OF CITY ENGINEER
Division of Grade Separations & Bridges
LIVERNOIS AVE - WALLS
EAST SIDE OF STREET - SOUTH OF PLUMER STR.
ASSUMED WALLS AND STEPS FOR 66th STREET, 12th CLEAR.
Scale: $\frac{3}{16} \times \frac{3}{8} = 1$ FT.
Made by: R.S.
August 1932

DATE	ASSIGNMENT	SHEET NO.	OF SHEETS

END OF RAILROAD WORK = N.E. COR. 40