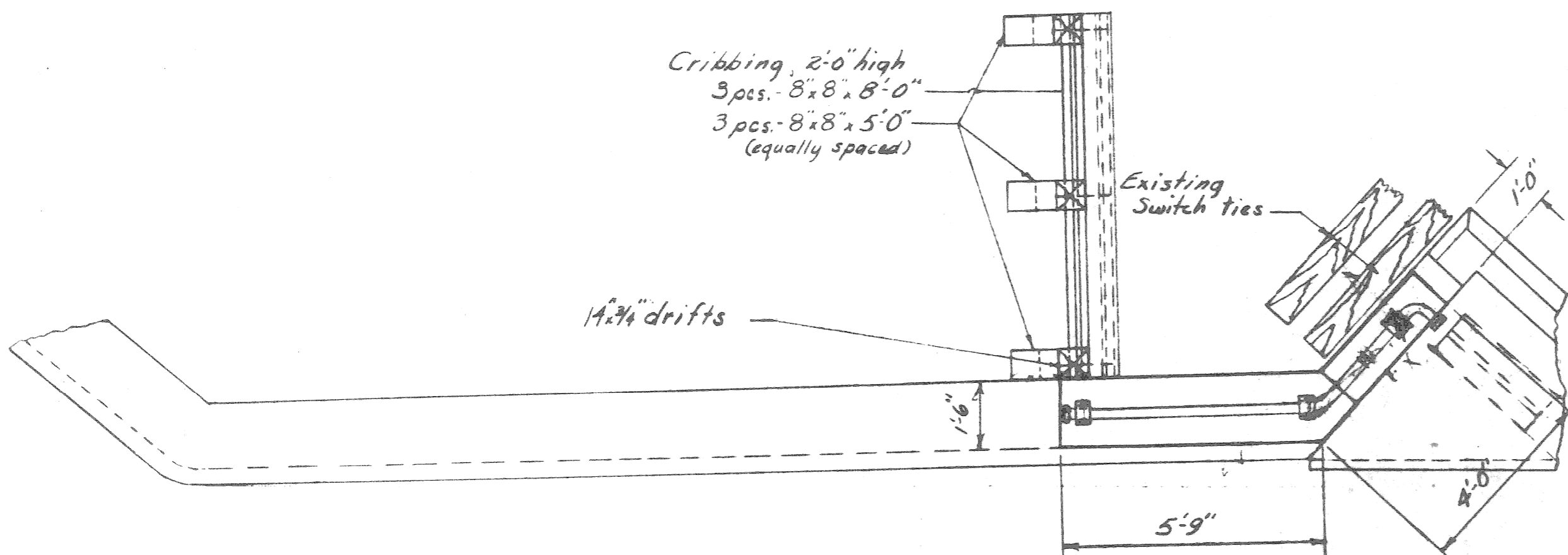


MATERIAL

Concrete	- 1 1/2 yds.
Pipe - 2" (extra heavy)	- 20 lin. ft.
Posts	- 3 pcs.
Cribbing - 8" x 8" x 8'-0"	- 3 pcs.
8" x 8" x 5'-0"	- 3 pcs.
Dowels 3/4"	- 9 lin. ft.
Drifts 1 1/4" x 3/4"	- 19 pcs.

ELEVATION  
Scale 3/16" = 1'-0"



PLAN  
Scale 3/16" = 1'-0"

NOTE

Solid heavy lines indicate new concrete work.  
Concrete to be Class "A" according to N.Y.C. Specs for Concrete Masonry, No. B-2, Issue 1, March 30, 1936.  
Bolts to be set in concrete before hardening.

Drawn by: R.J.M. Checked by:		N.Y.C. SYSTEM	OFFICE OF DIST. ENGINEER	DETROIT
REVISIONS		BR. #289 - W. GRAND BLVD. - BAY CITY DIV.		
Date	By	DETROIT, MICHIGAN		
NEW RETAINING WALL & HANDRAILING ON SOUTH				
ABUTMENT AT EAST FACIA GIRDER				
M.C. DISTRICT	SCALE	FILE #1336		
JULY 13, 1950	AS SHOWN	PLAN #615		