

NOTE:
WORK SHEET NO 1, 2, 3 & 4
TOGETHER

THE R. C. MAHON COMPANY
DETROIT, MICHIGAN

STRUCTURAL STEEL DIVISION

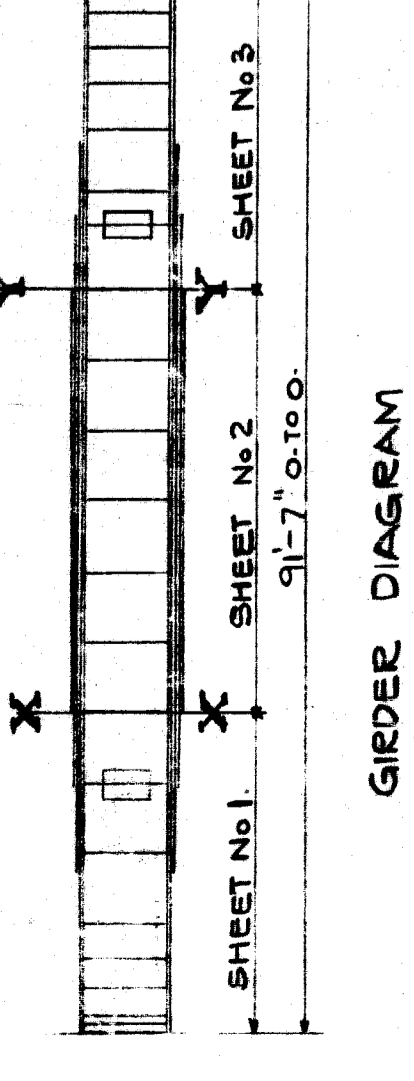
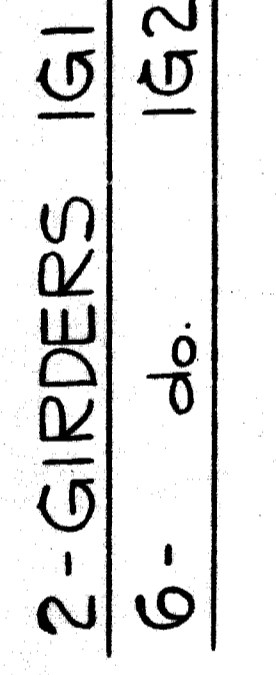
MICHIGAN STATE HIGHWAY DEPARTMENT
BRIDGE CROSSING JOHN R. STREET - DETROIT.
GIRDERS BRIDGE XI OF 82-22-43

Made by E.M.
Shop Rivet U.N.
Open Holes U.N.
Shop Paint M.S. HWY. MIX. #1
Field Paint

Checked by R.Y. Dec 17 1938
CONTRACT 37075 SHEET No. 1

GENERAL NOTES:

WORKMANSHIP TO BE IN ACCORDANCE WITH A.R.E.A. SPEC. FOR STEEL R.WY. BRIDGES "1938".
HOLES IN LATERAL REATES MAY BE PUNCHED FULL SIZE.
HOLES IN GIRDER FLANGES & HOLES IN 1 1/2" RIBS TO BE SUB-DRILLED TO SIZE AFTER ASSEMBLY.
ALL OTHER HOLES FOR SHOP RIVETS TO BE PUNCHED TO SIZE & REMAIND TO SIZE AFTER ASSEMBLY.
GROUPS OF OPEN HOLES MARKED "T1" & "T2" TO BE SUB-PUNCHED TO SIZE AND REAMED TO 1/16" END-STIFFENERS FITTED TO BEAR.
INTERMEDIATE STIFFENERS FITTED TO EXCLUDE WATER AFTER PAINTING.
SURFACES IN CONTACT NOT PAINTED.

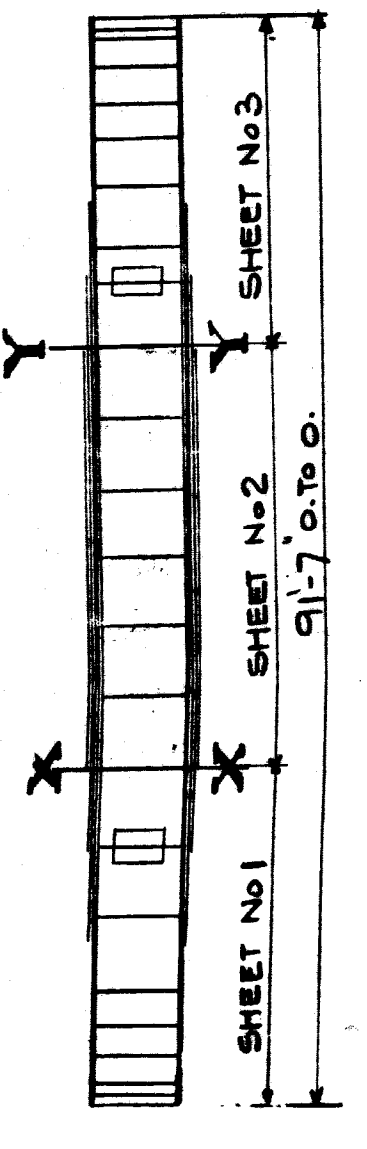
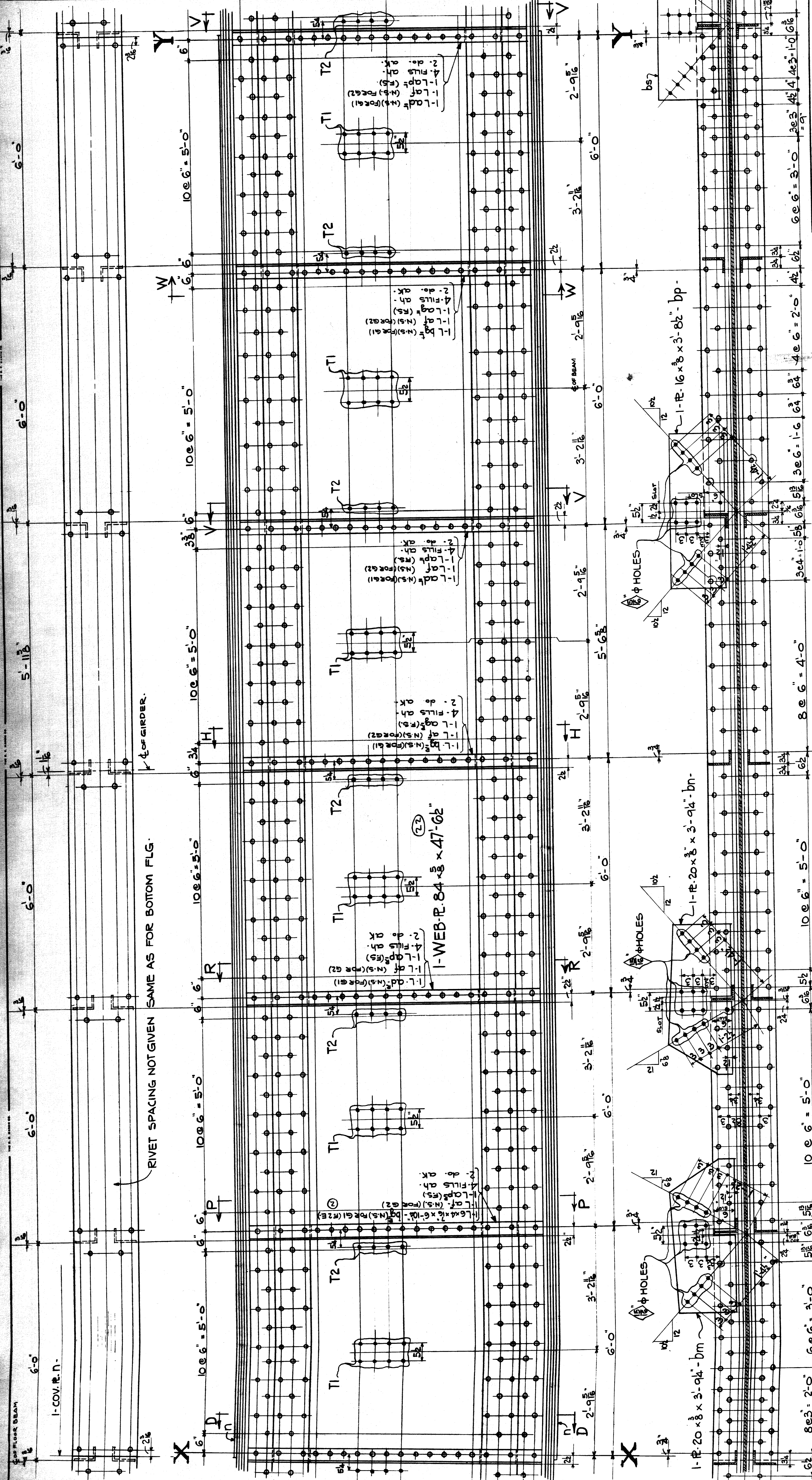


FILED

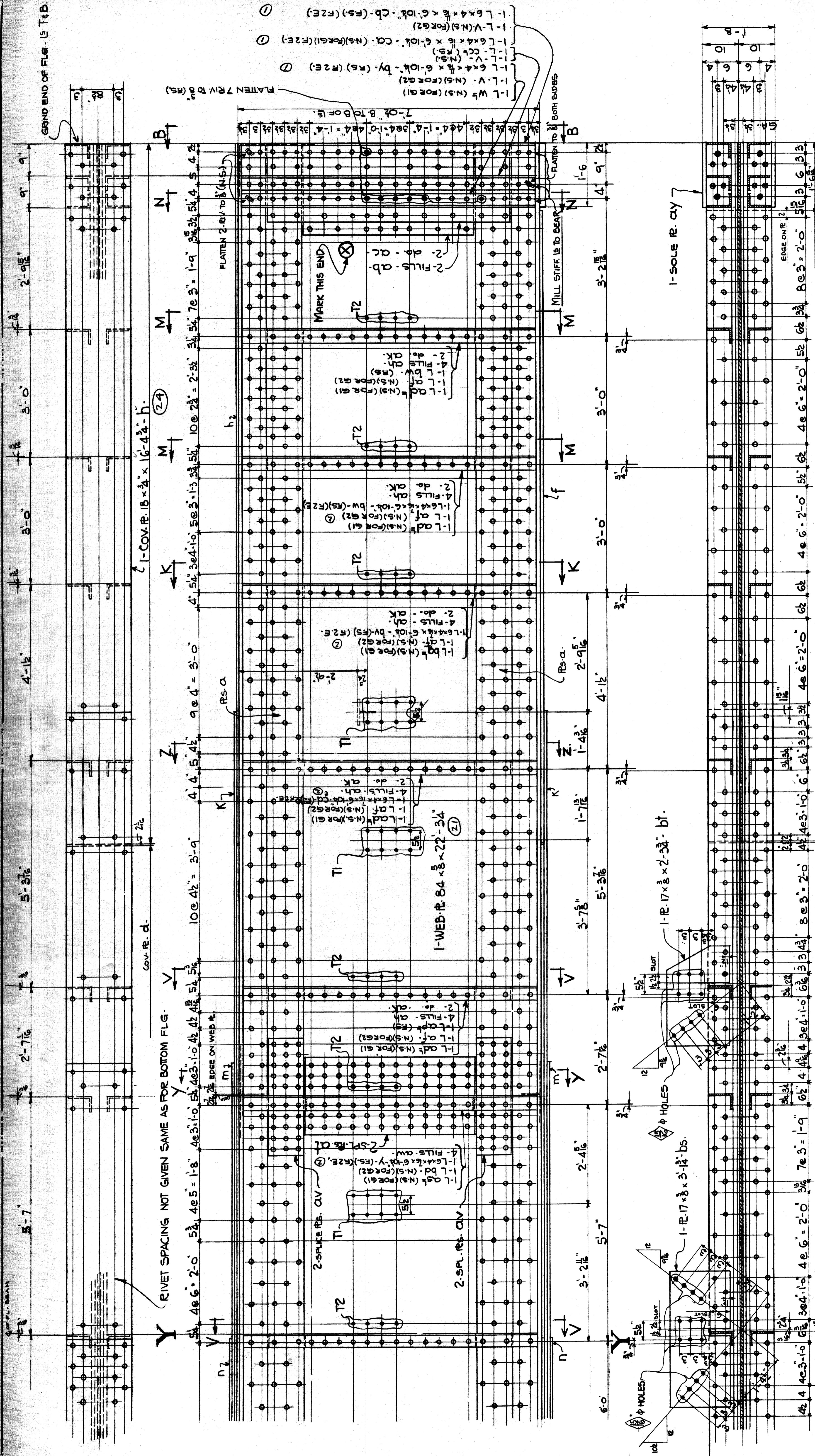
THE R. C. MAHON COMPANY
 DETROIT, MICHIGAN
STRUCTURAL STEEL DIVISION
 MICHIGAN STATE HIGHWAY DEPARTMENT
 BRIDGE CROSSING JOHN R. STREET
 DETROIT
GIRDERS (CONT.) BRIDGE XI OF 82-22-4A
 Made by F.M. Checked by [Signature] Date 7-24-38
 Shop Rivets [Signature] Shop Paint M.S. HEWY-MIN.
 Open Files [Signature] U.N. Field Paint.
 CONTRACT 37075 SHEET No. 2

M

NOTE:
 WORK SHEET NO. 1, 2, 3 & 4 TOGETHER.



THE R. C. MAHON CO.



THE R. C. MAHON COMPANY
 DETROIT, MICHIGAN
STRUCTURAL STEEL DIVISION
 MICHIGAN STATE HIGHWAY DEPARTMENT
 BRIDGE CROSSING JOHN R STREET DETROIT
 GIRDERS (CONT) BRIDGE XI-OF 82-22-49

Made by F.M. Checked by R.R. Date 2-24-38
 Shop Rivets 1/4 Shop Paint M.S. HENY MIX
 Open Hole 1 1/2 U.N. Field Paint

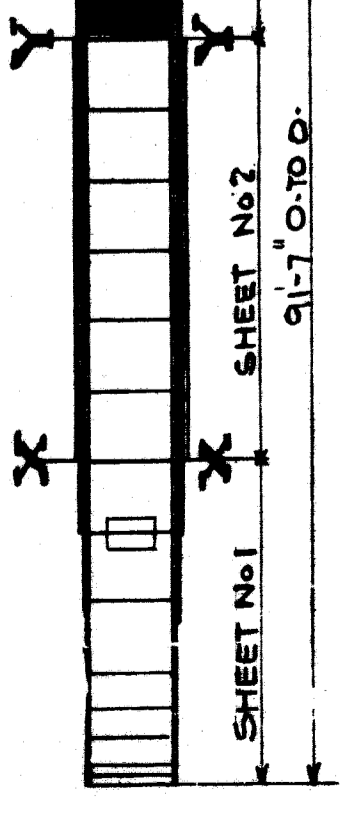
CONTRACT 37075 SHEET No. 3



1-COV. R. 18 x 3/4 x 14'-9 3/4" - f- (23)

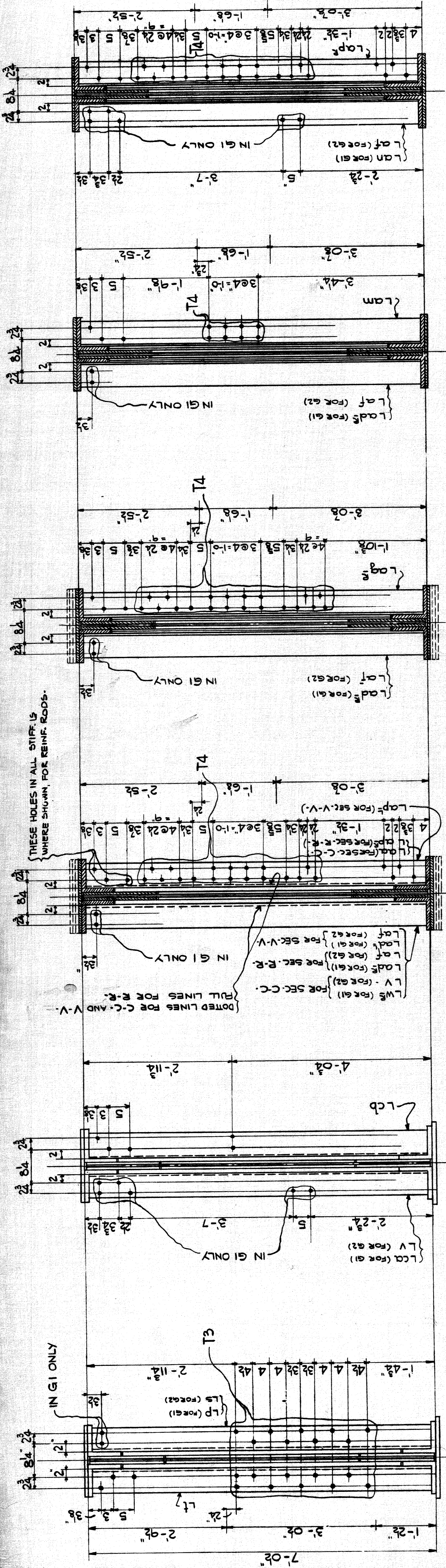
NOTE.

WORK SHEET No. 1, 2, 3 & 4 TOGETHER.



GIRDER DIAGRAM

FILED



SECTION F-F

SECTION E-E

SECTION D-D

SECTION C-C
SECTION R-R
SECTION V-V

END VIEW B-B

END VIEW A-A

SECTION Z-Z

NOTE
WORK SHEET 1, 2, 3 & 4 TOGETHER.

THE R. C. MAHON COMPANY
DETROIT, MICHIGAN
STRUCTURAL STEEL DIVISION
MICHIGAN STATE HIGHWAY DEPARTMENT
BRIDGE CROSSING JOHN R. STREET AT GRD. T. W. RR.

GIRDER - SECTIONS
Made by F.M. Checked by R.R. Date 1-24-38
Shop Rivets 15 Shop Paint M.S. HIGHWAY MIX. #1
Open Hole 1/8" Field Paint
CONTRACT 37 075 SHEET No. 4

SECTION Y-Y

SECTION N-N

SECTION M-M

SECTION K-K

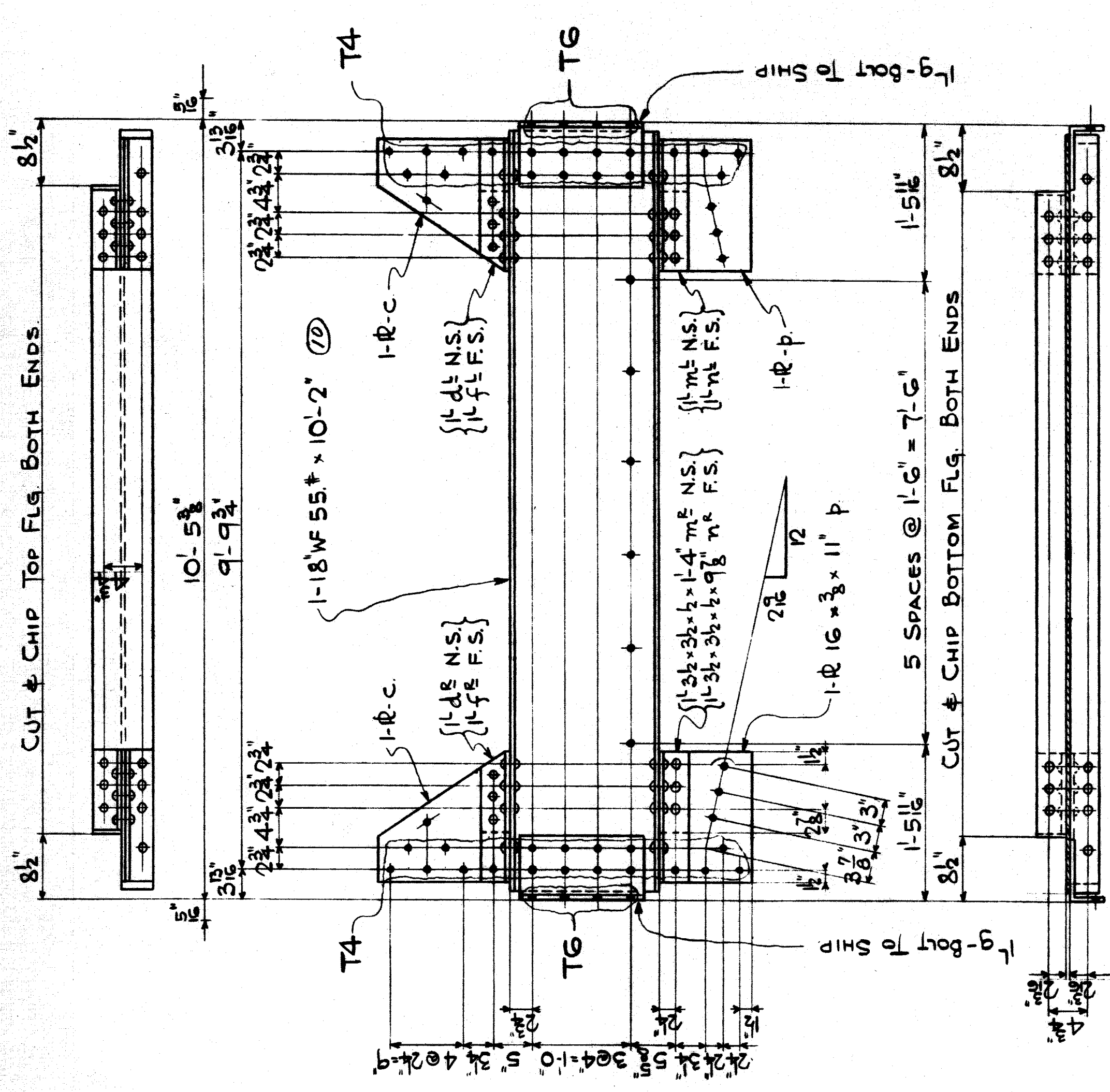
SECTION H-H (AS SHOWN)

SECTION G-G

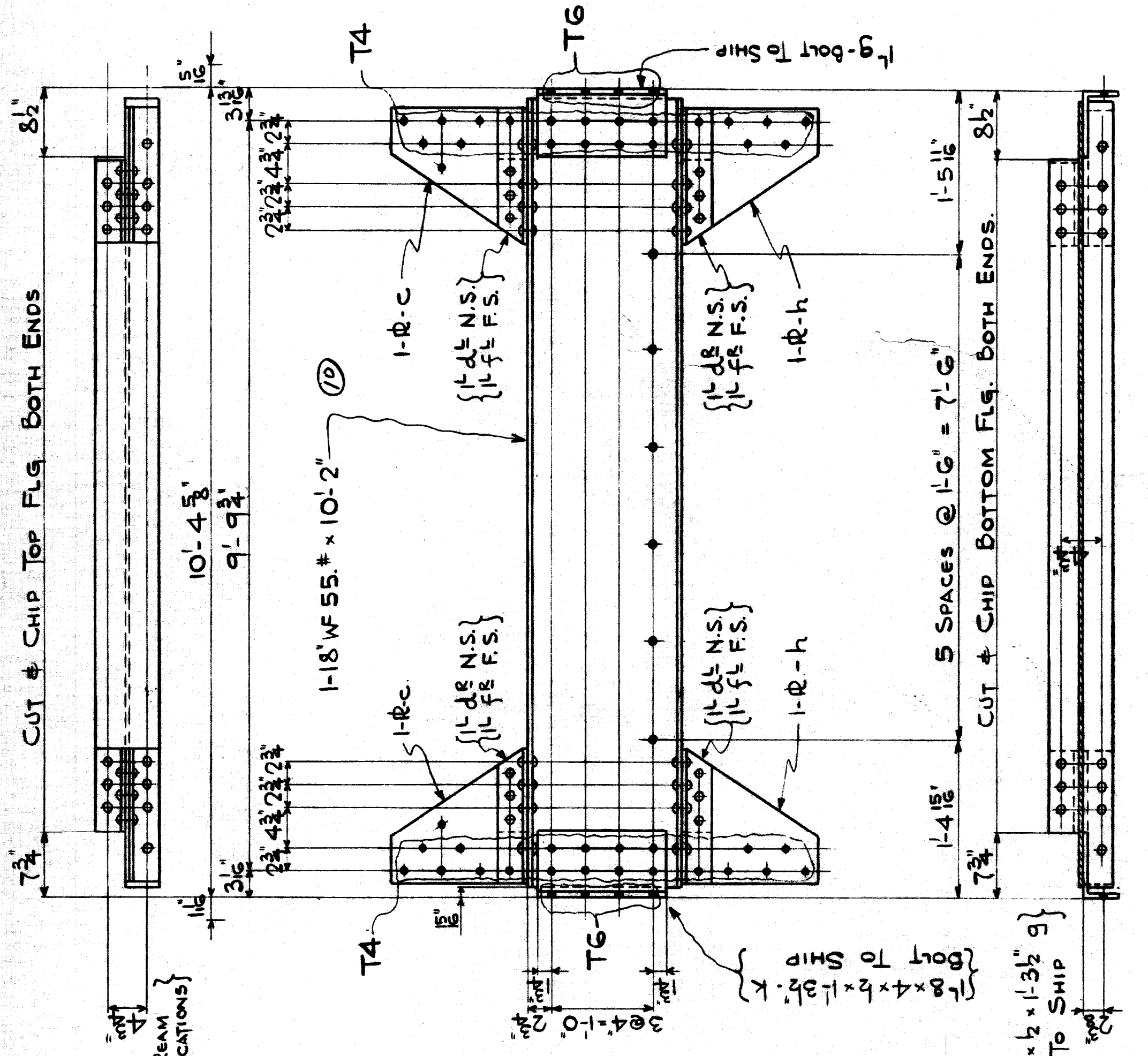
NOTE:
ALL GROUPS OF HOLES MARKED T3, T4 & T5 TO BE PUNCHED 1/4" & REAMED 1/8" TO METAL TEMPLET.
ALL OTHER HOLES TO BE PUNCHED FULL SIZE (1/16")

SECTION P-P } SAME AS SEC. G-G
SECTION W-W } EXC. FOR FILLS & L-MARKS

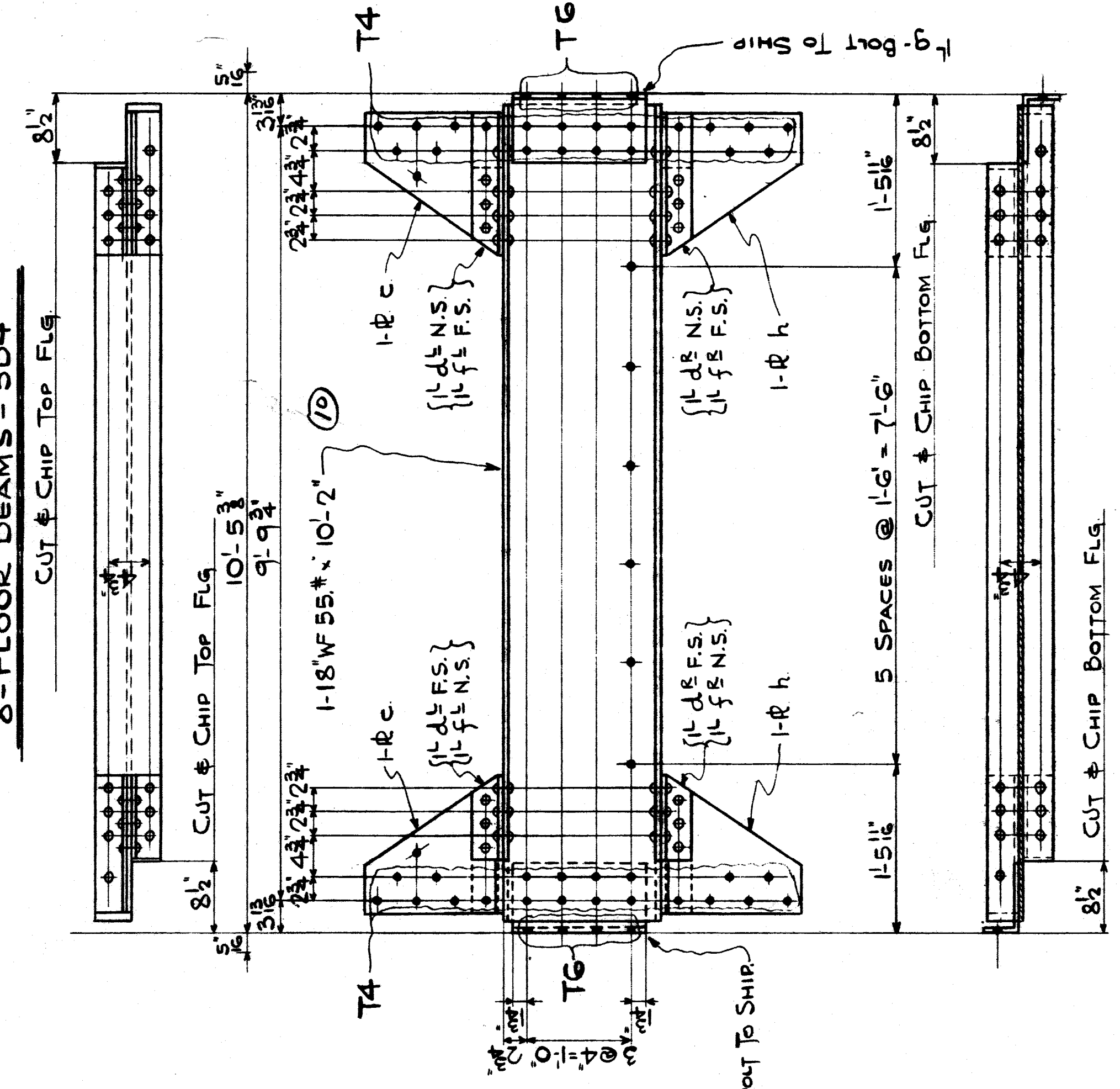
FILED



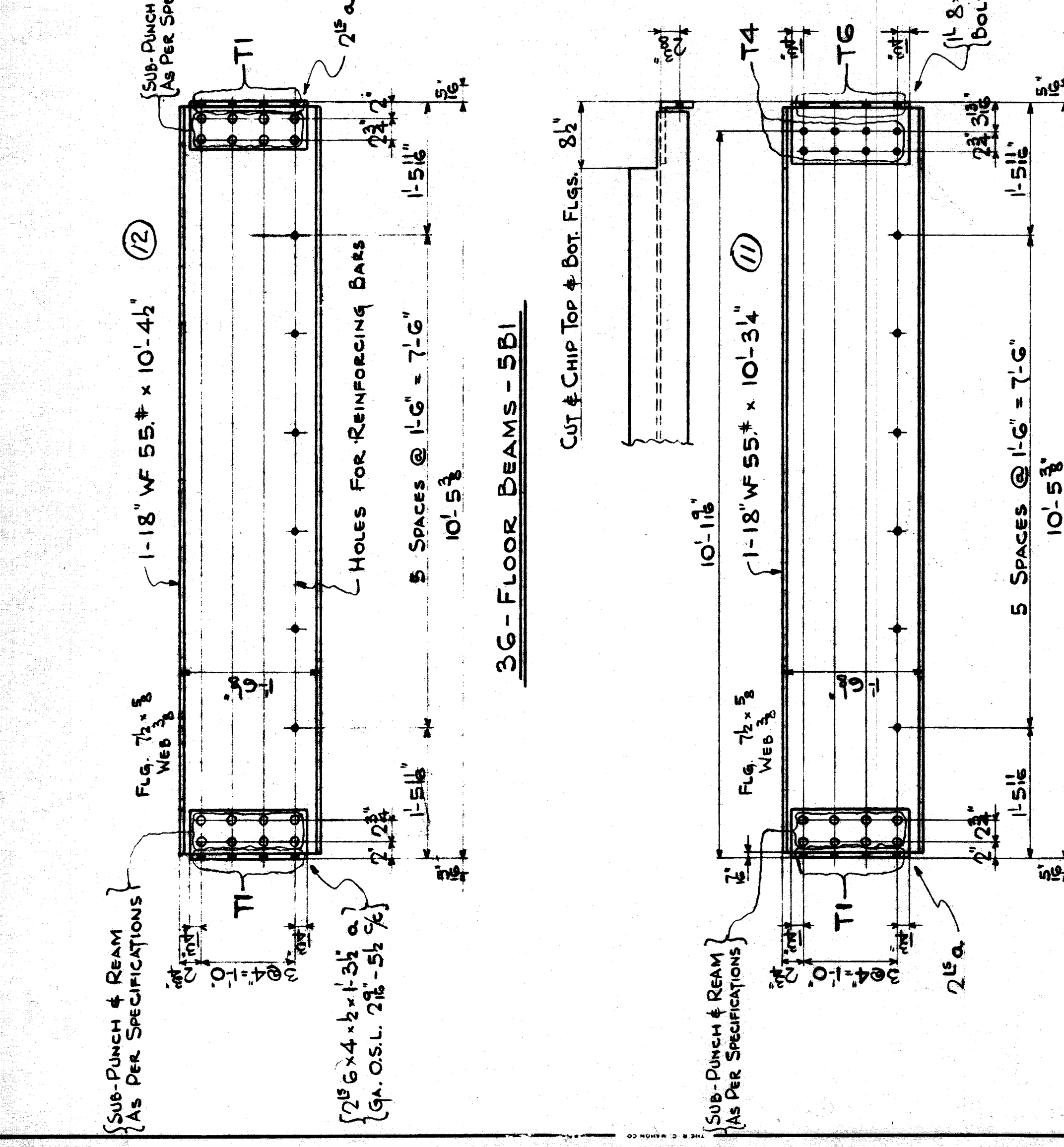
8-FLOOR BEAMS - 5B6



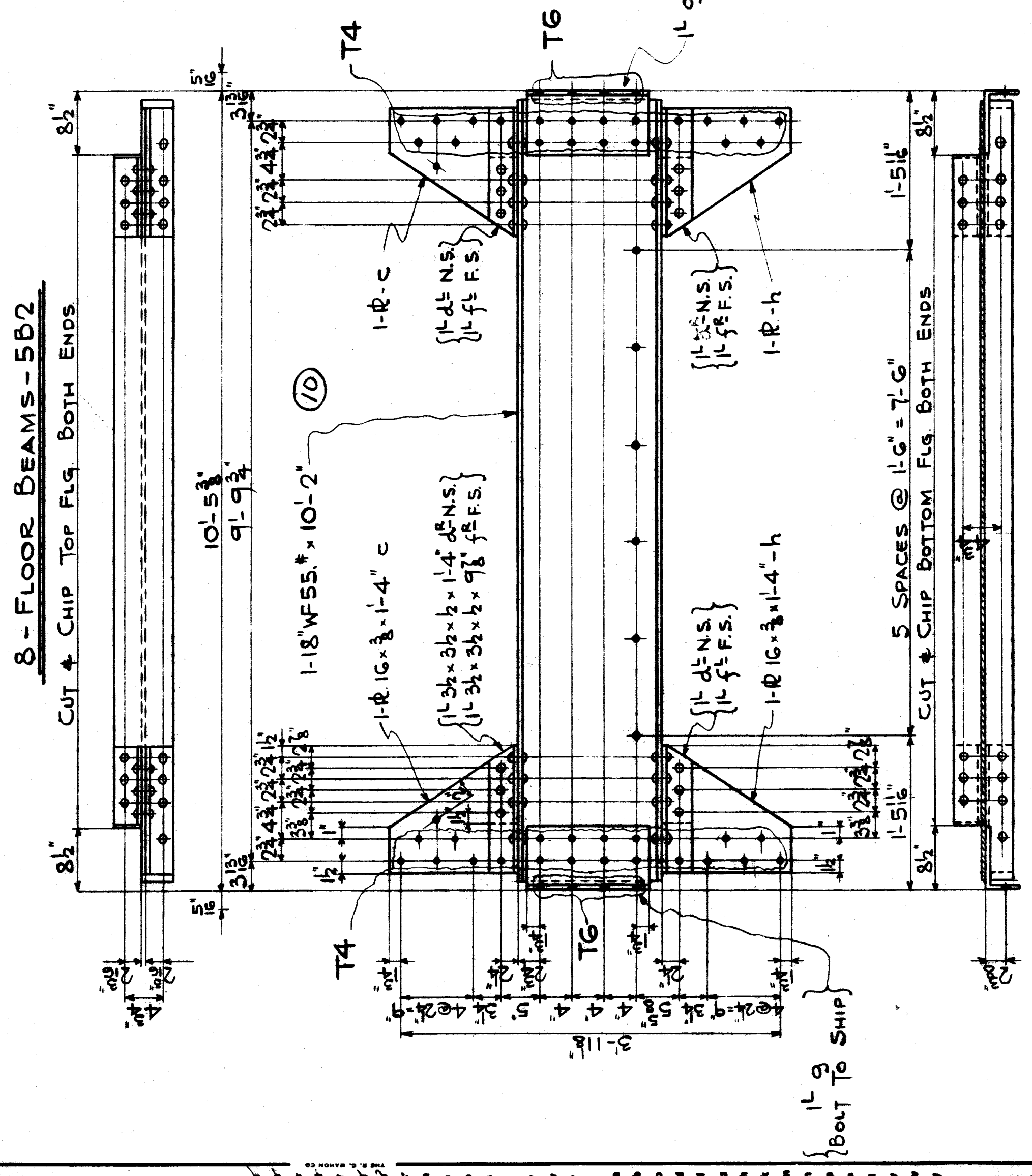
8-FLOOR BEAMS - 5B4



8-FLOOR BEAMS - 5B5



36-FLOOR BEAMS - 5B1



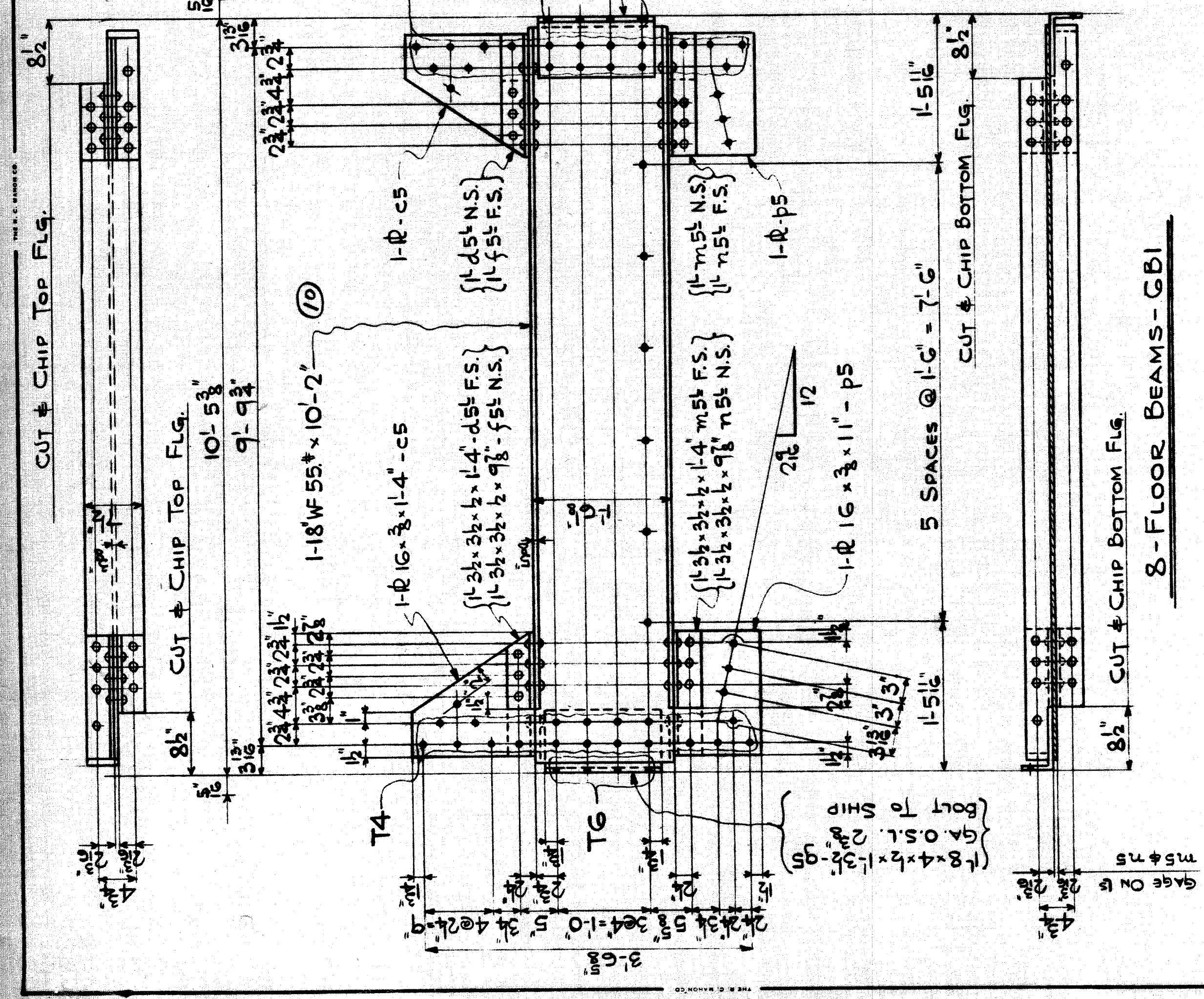
8-FLOOR BEAMS - 5B2

8-FLOOR BEAMS - 5B3

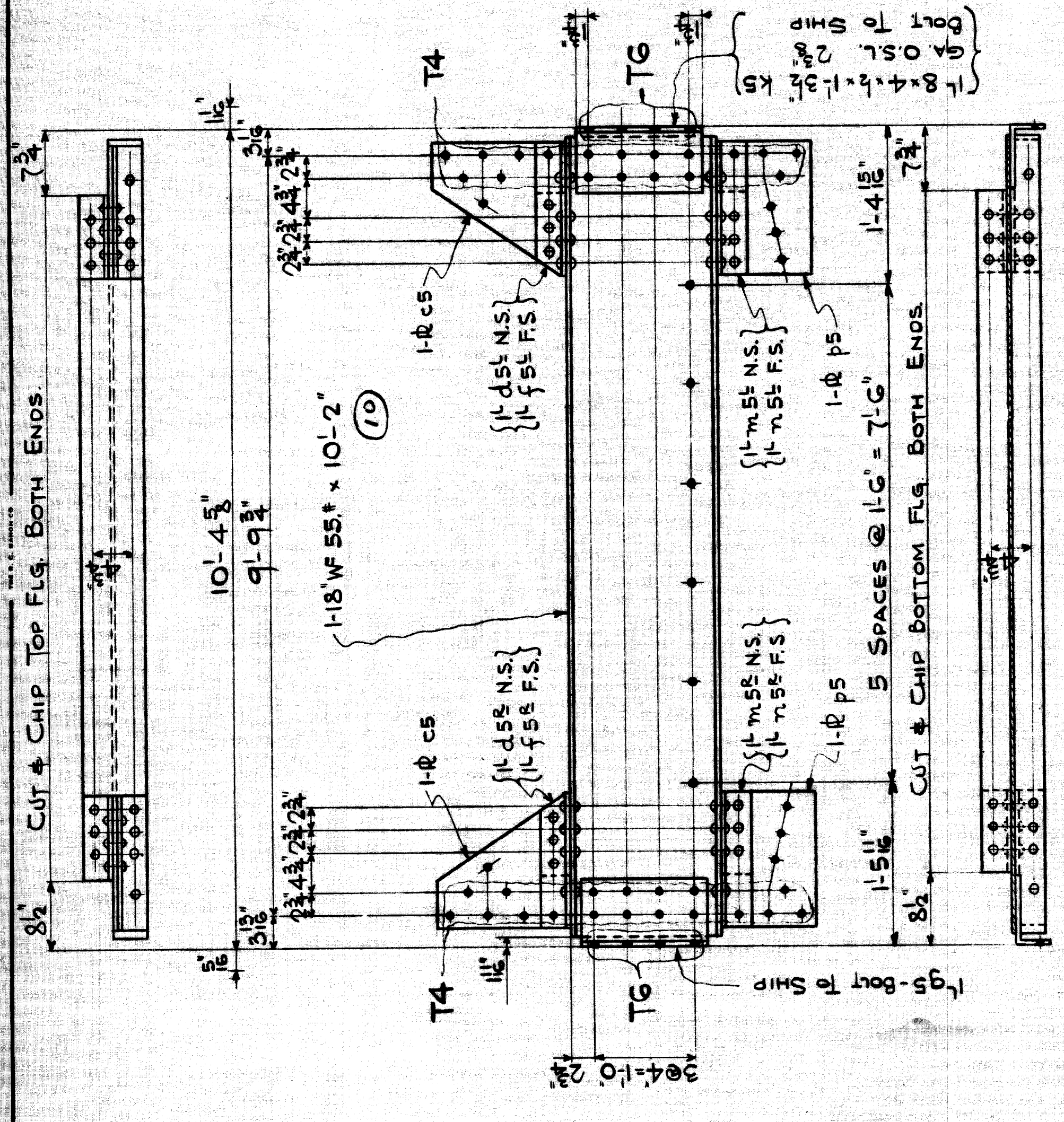
NOTES:-
 GROUPS OF HOLES MARKED 'T4' TO BE PUNCHED 1/8\"/>

THE R. C. MAHON COMPANY
 DETROIT, MICHIGAN
 STRUCTURAL STEEL DIVISION
 MICHIGAN STATE HIGHWAY DEPT.
 BRIDGE CROSSING JOHN R. ST. AT GED. TRUNK WESTERN RR.
 FLOOR BEAMS - BRIDGE XI OF 82-22-49
 Made by J.T. Checked by G.K. Date 1-17-38
 Shop Rivets 7/16 Shop Paint Mich. State Hwy. Mix #1
 Open Holes 1 1/2 UN. Field Paint
 CONTRACT 37075 SHEET No. 5

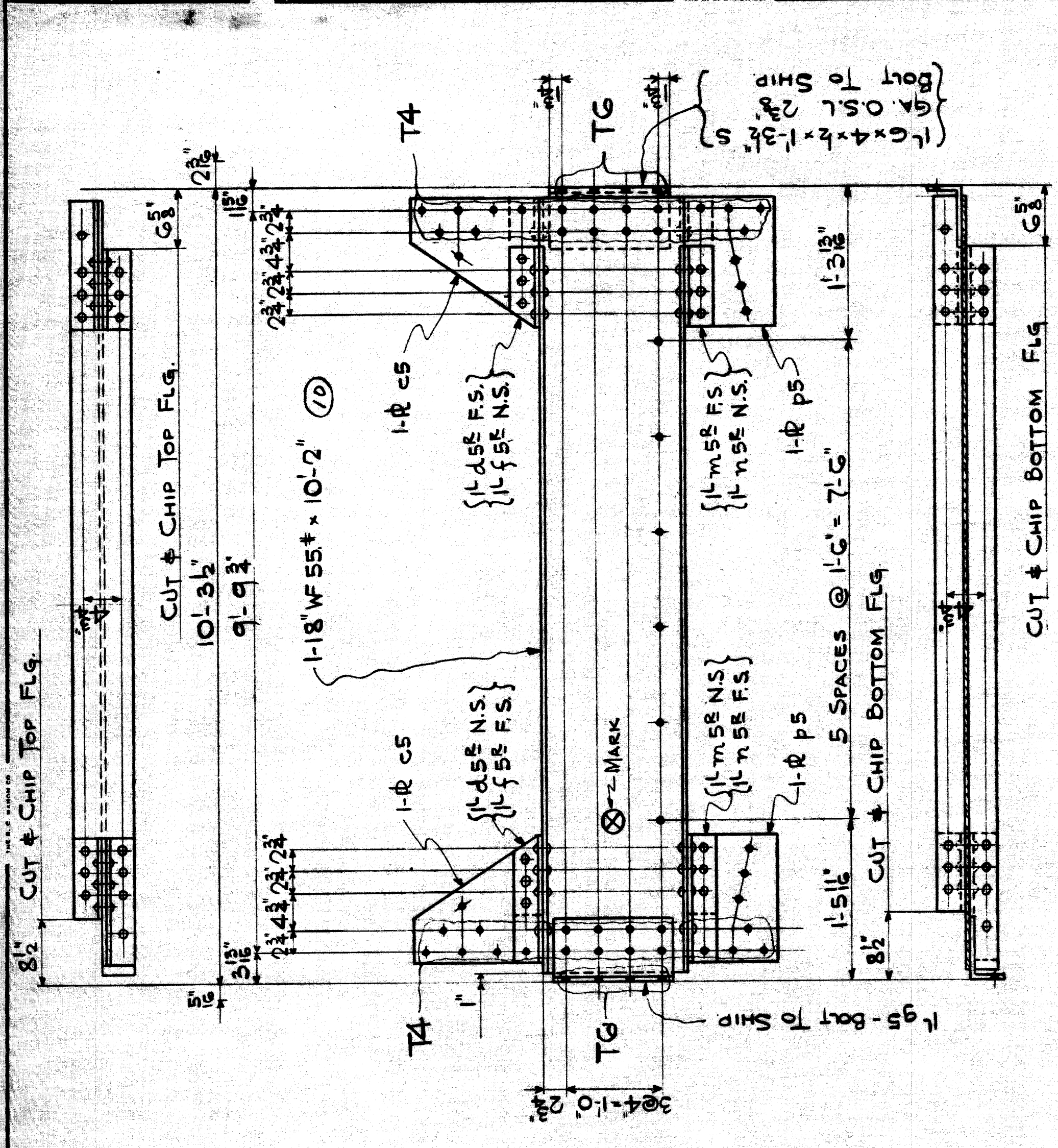




8-FLOOR BEAMS - GB1



8-FLOOR BEAMS - GB2



8-FLOOR BEAMS - GB3

NOTES:-
 WORK SHEETS 5 & 6 TOGETHER.
 SEE SHEET #5 FOR GENERAL NOTES

THE R. C. MAHON COMPANY
 DETROIT, MICHIGAN
STRUCTURAL STEEL DIVISION

MICHIGAN STATE HIGHWAY DEPARTMENT
 BRIDGE CROSSING JOHN R ST. AT GED. TRUNK WESTERN R.R.

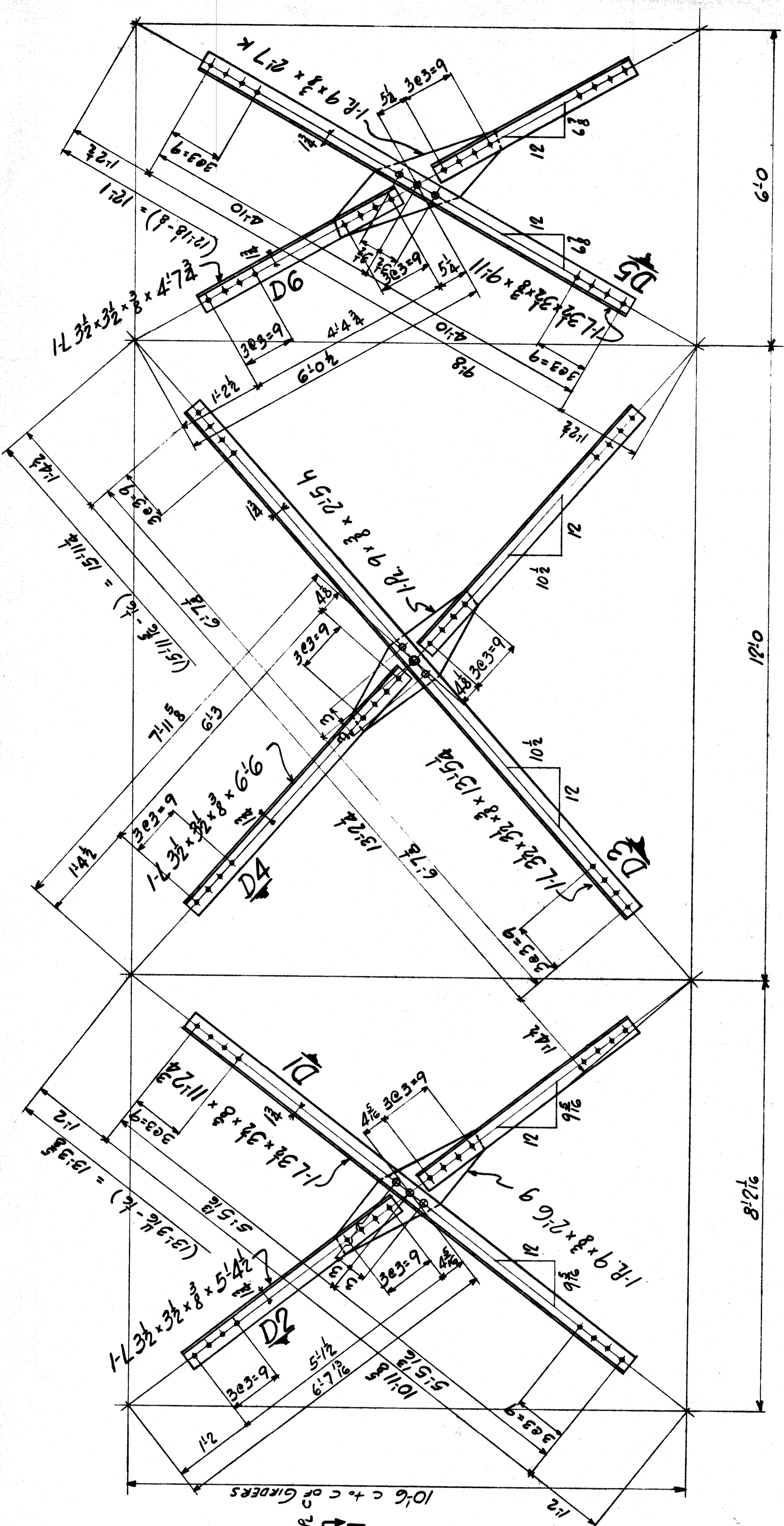
FLOOR BEAMS. BRIDGE XI of 82-22-49

Made by J.T. Checked by J.R. Date 7-17-38
 Shop Rivets 7" Shop Paint MICH. STATE HIGHW. MIX #1
 Open Hole 15" U.N. Field Paint

CONTRACT 37075 SHEET No. 6

M

FILED

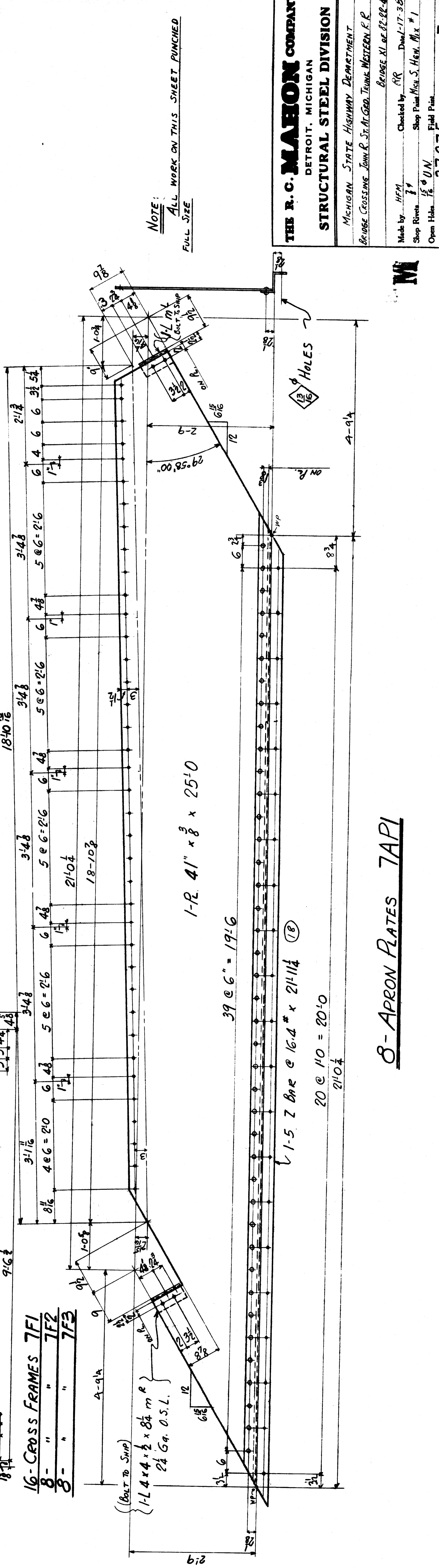


8 - BOTTOM LATERALS 7D1
16 - do do 7D2
18 40 1/2

16 - BOTTOM LATERALS 7D3
32 - do do 7D4
12 10

8 - BOTTOM LATERALS 7D5
16 - do do 7D6
18 40 1/2

16 - CROSS FRAMES 7F1
8 - " " 7F2
8 - " " 7F3
18 40 1/2



8 - APRON PLATES 7A1

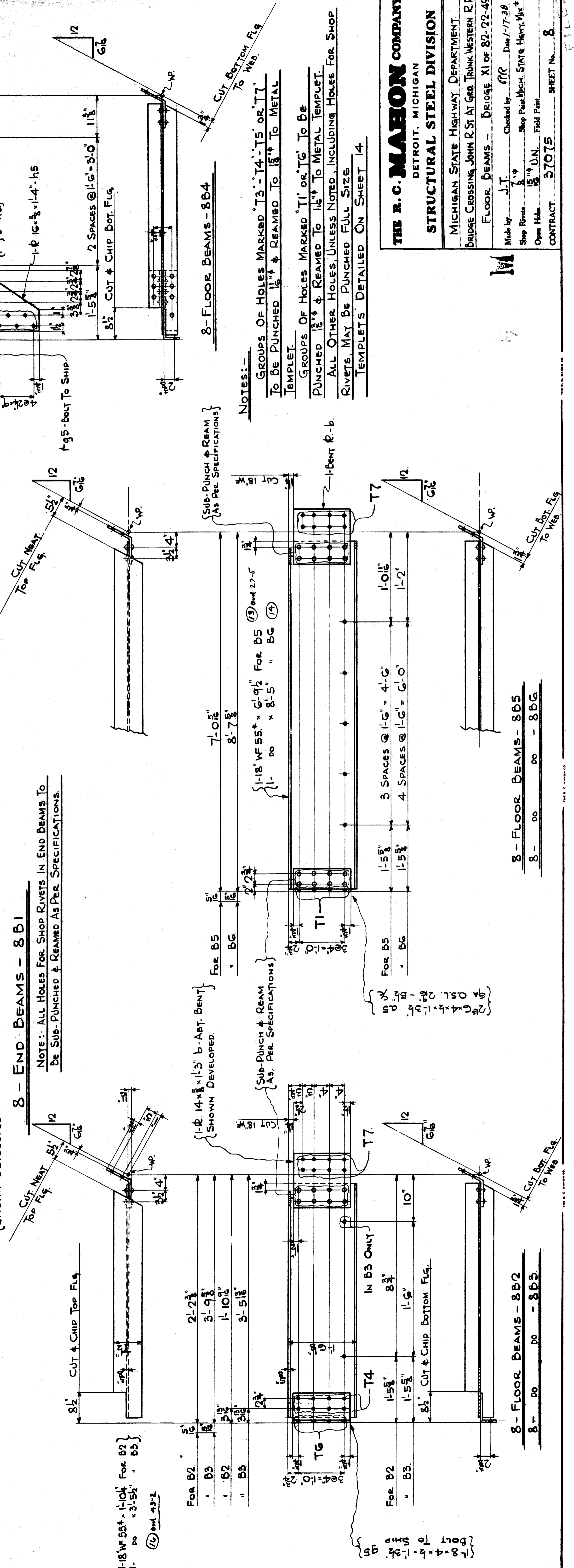
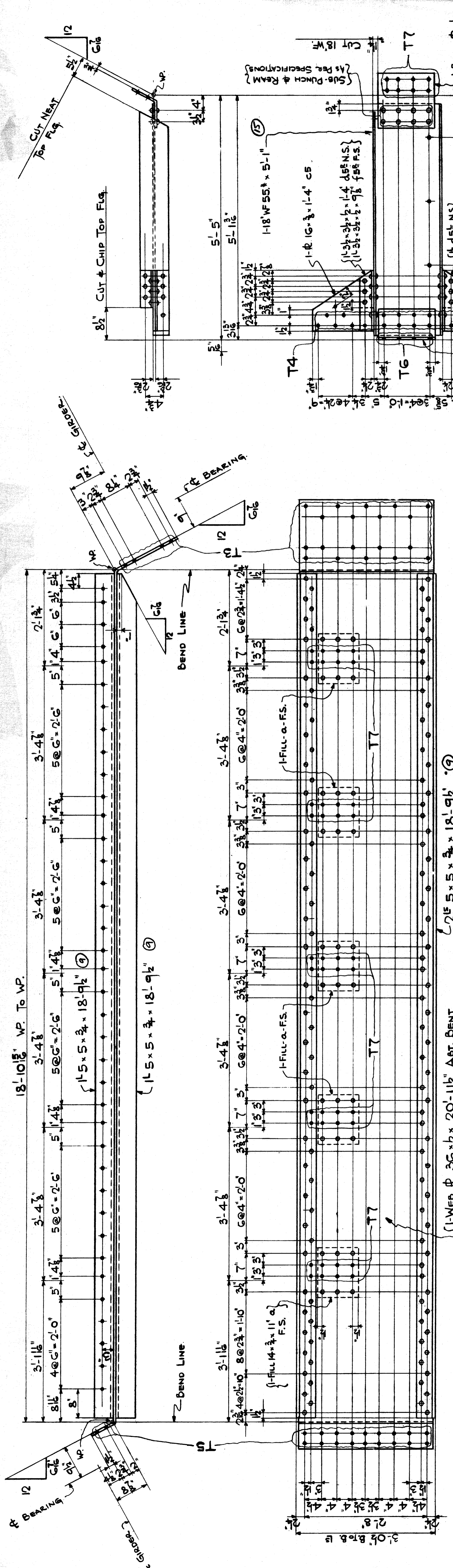
NOTE:
ALL WORK ON THIS SHEET PUNCHED
FULL SIZE

THE R. C. MAHON COMPANY
DETROIT, MICHIGAN
STRUCTURAL STEEL DIVISION
MICHIGAN STATE HIGHWAY DEPARTMENT
BRIDGE CROSSING JOHN R. ST. AT GR. TRUNK WESTERN R.R.
BRIDGE XI. DE. 22-22-49

Made by: HFM
Checked by: AR
Shop Rivets: 15 @ UN.
Open Hole: 15 @ UN.
Field Paint

Contract: 37075
Sheet No. 7





NOTE: ALL HOLES FOR SHOP RIVETS IN END BEAMS TO BE SUB-PUNCHED & REAMED AS PER SPECIFICATIONS.

NOTES:-
 GROUPS OF HOLES MARKED 'T3', 'T4', 'T5', OR 'T7' TO BE PUNCHED 1/16" & REAMED TO 1/8" TO METAL TEMPLET.
 GROUPS OF HOLES MARKED 'T1' OR 'T6' TO BE PUNCHED 1/16" & REAMED TO 1/16" TO METAL TEMPLET.
 ALL OTHER HOLES, UNLESS NOTED, INCLUDING HOLES FOR SHOP RIVETS, MAY BE PUNCHED FULL SIZE.
 TEMPLETS DETAILED ON SHEET 14.

THE R. C. MAHON COMPANY
 DETROIT, MICHIGAN
STRUCTURAL STEEL DIVISION

MICHIGAN STATE HIGHWAY DEPARTMENT
 BRIDGE CROSSING JOHN R. ST. AT GR. TRUNK WESTERN R.R.
 FLOOR BEAMS - BRIDGE XI OF 82-22-49

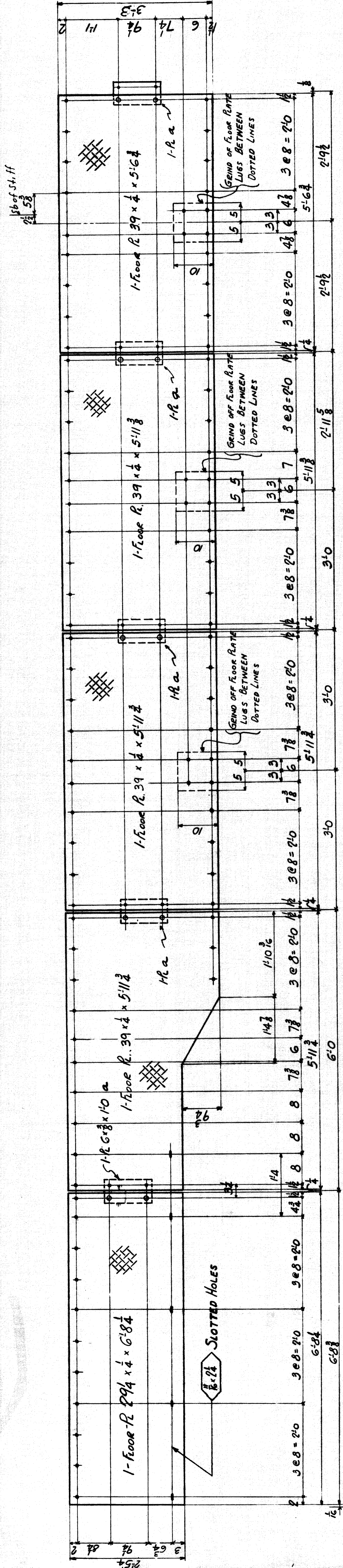
Made by: J.T. Checked by: J.T. Date: 1-17-38
 Shop Rivets: 1/16" Shop Paint: MICH. STATE HIGHWAY DEPT.
 Open Holes: 1/16" UN. Field Paint: FIELD PAINT

CONTRACT: 57075 SHEET No. 8

8 - FLOOR BEAMS - 8B5
 8 - 00 00 - 8B5

8 - FLOOR BEAMS - 8B2
 8 - 00 00 - 8B2

9.18.82



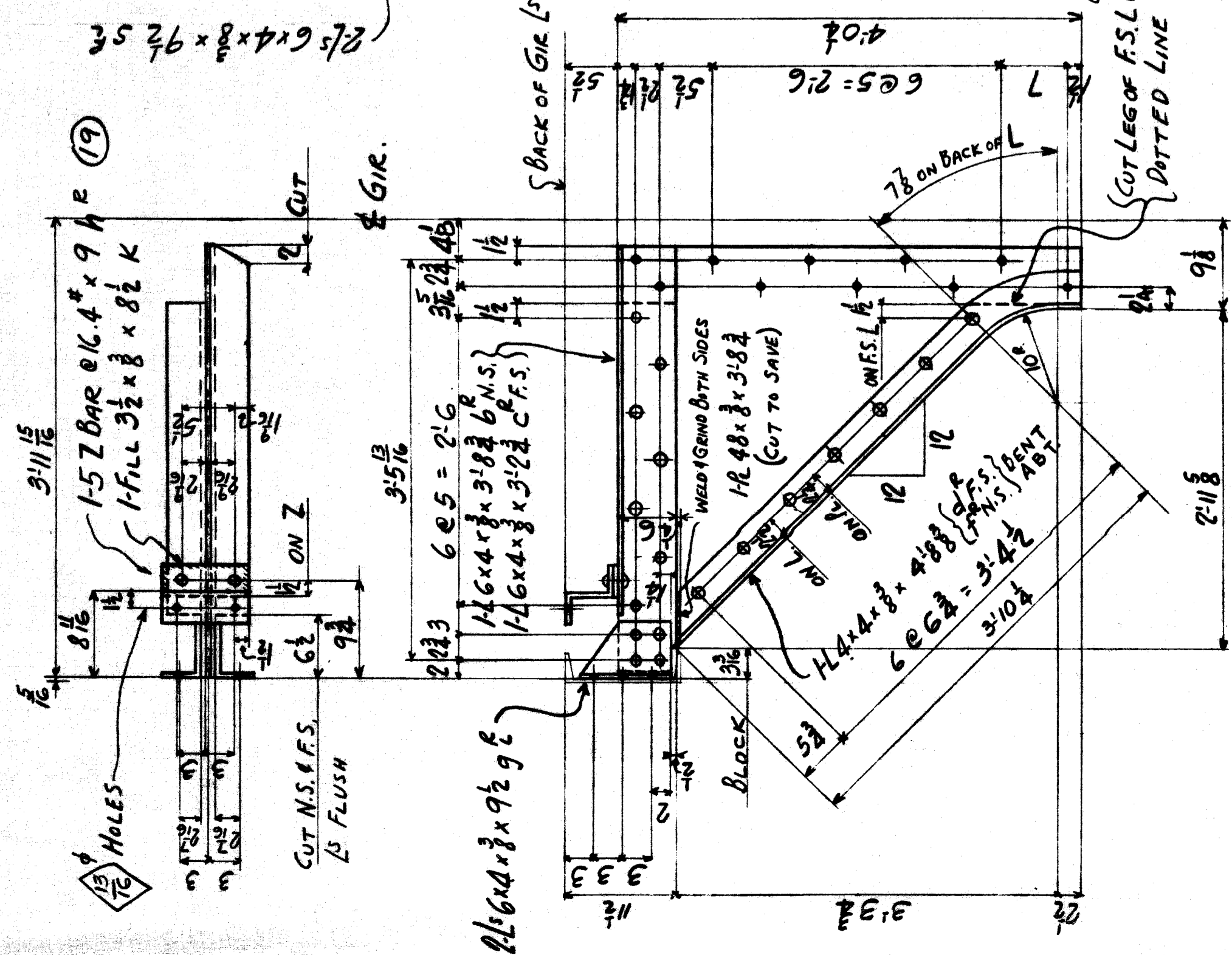
2 - SIDEWALK PLATES - 9P1

2 - SIDEWALK PLATES - 9P2

20 - SIDEWALK PLATES 9P3

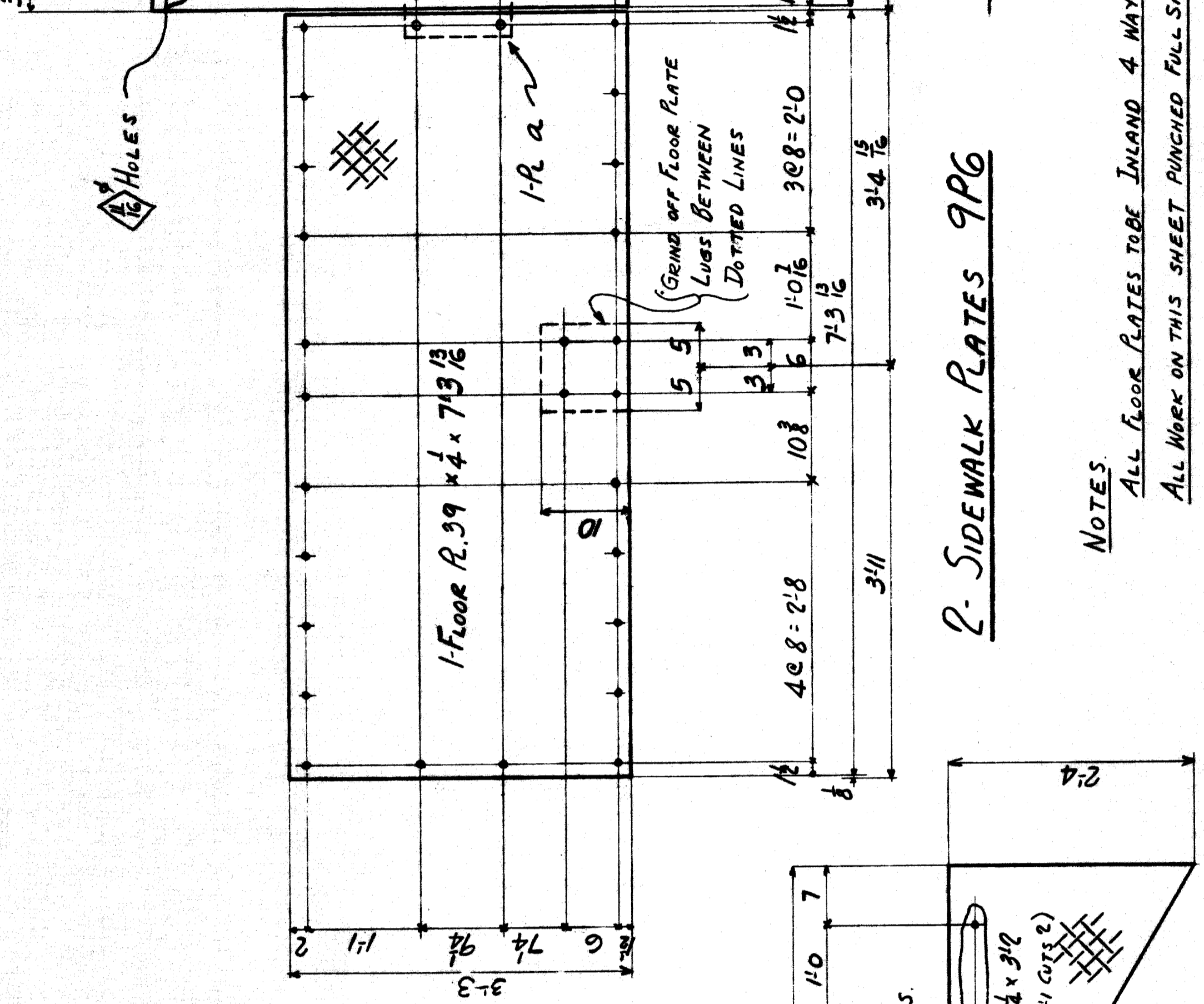
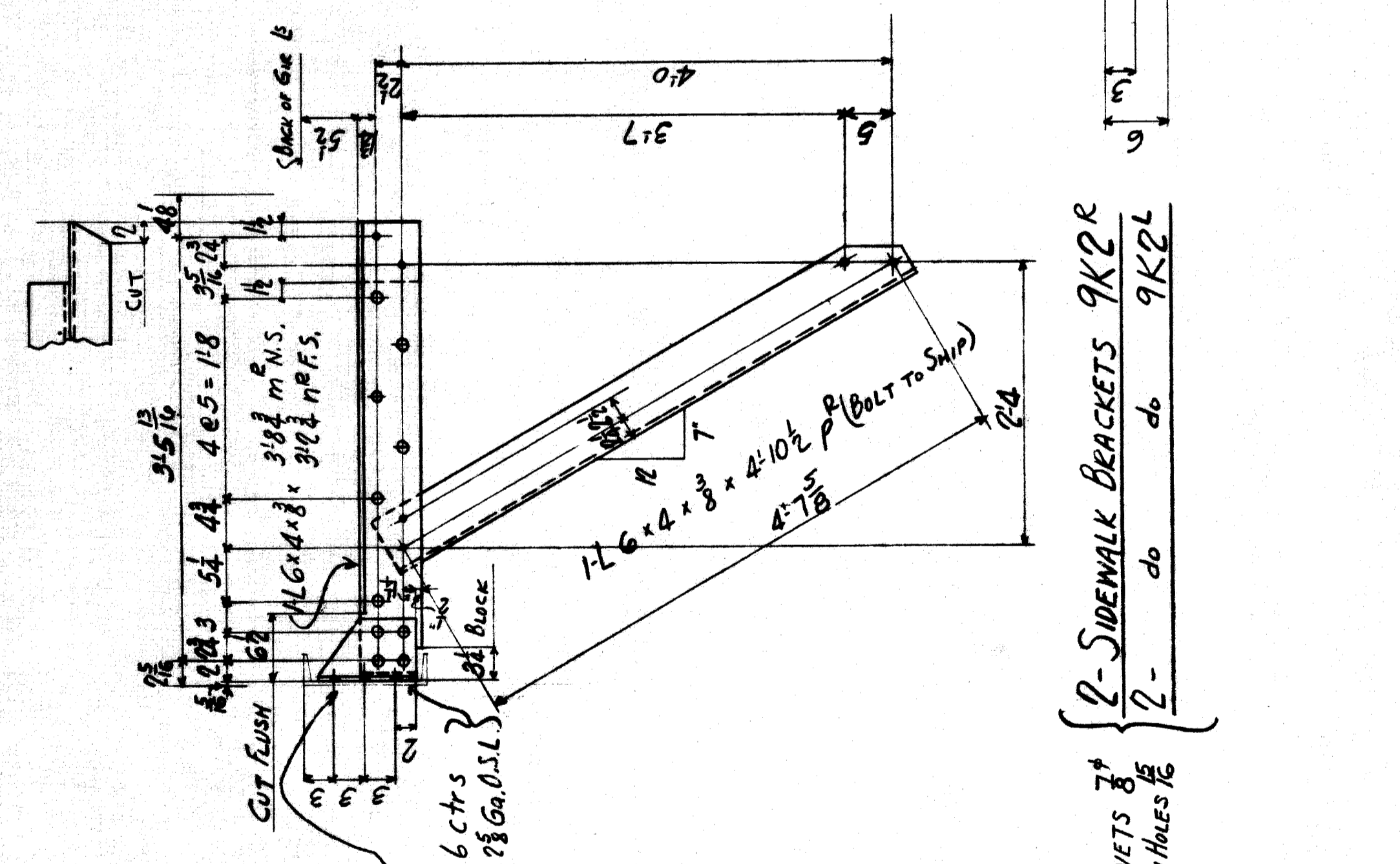
2 - SIDEWALK PLATES - 9P4

2 - SIDEWALK PLATES - 9P5



6 - SIDEWALK BRACKETS 9K1R
6 - do do 9K1L

2 - SIDEWALK BRACKETS 9K2R
2 - do do 9K2L



2 - SIDEWALK PLATES 9P6

2 - SIDEWALK PLATES 9P7

NOTES:
ALL FLOOR PLATES TO BE INLAND 4 WAY JOINT
ALL WORK ON THIS SHEET PUNCHED FULL SIZE

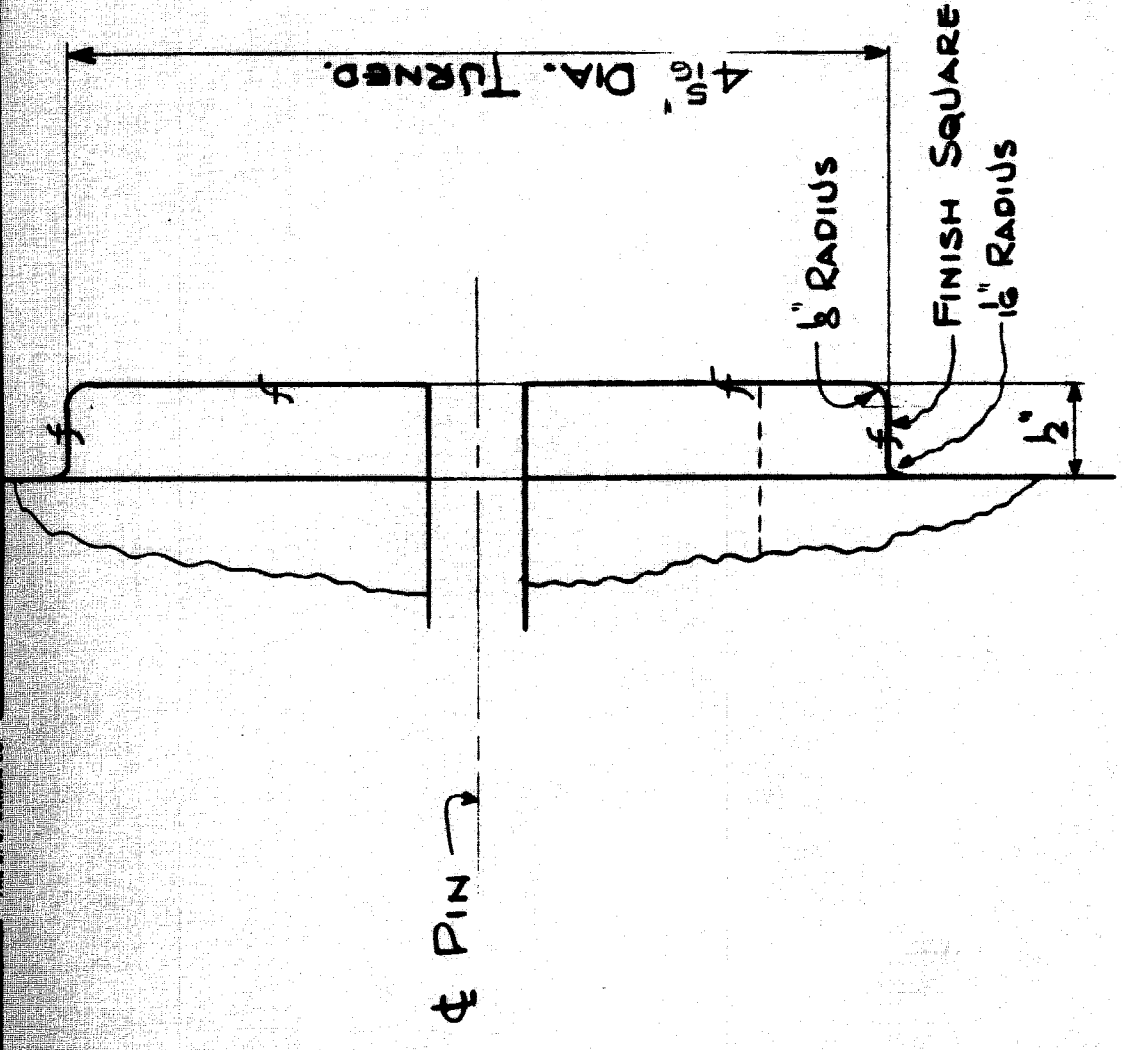
THE R. C. MAHON COMPANY
DETROIT, MICHIGAN
STRUCTURAL STEEL DIVISION

MICHIGAN STATE HIGHWAY DEPARTMENT
BRIDGE CROSSING JOHN R. ST. AT GED. TRUNK WESTERN R.R.
SIDEWALK PLATES & BRACKETS BRIDGE No. of 82-22-49

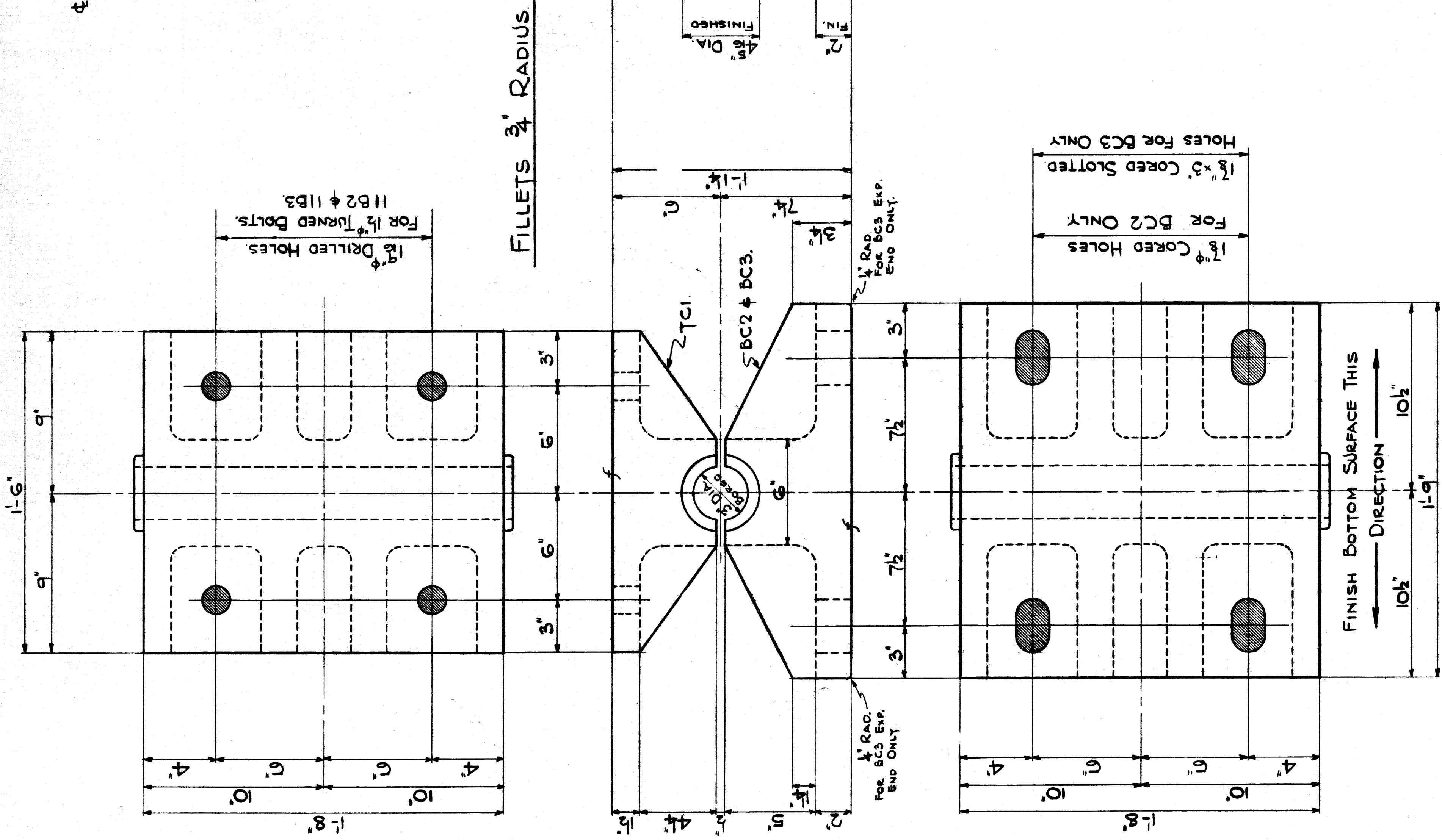
Made by H.F.M. Checked by F.M.K. Date 1-17-38
Shop Rivets 3/4 U.N. Shop Paint Mich. S. Heavy Mix #1
Open Holes 1/2 U.N. Field Paint
CONTRACT 37075 SHEET No. 9

2 - SIDEWALK PLATES 9P8

NOTE:-
OUTSIDE DIAMETER OF BOSSES MUST BE
FINISHED CONCENTRIC WITH PIN HOLE.



ENLARGED DETAIL OF BOSS



FILLETS 3/4" RADIUS.

NOTE:-
FINISH SIDES 2" HIGH FOR BC3
EXPANSION END ONLY

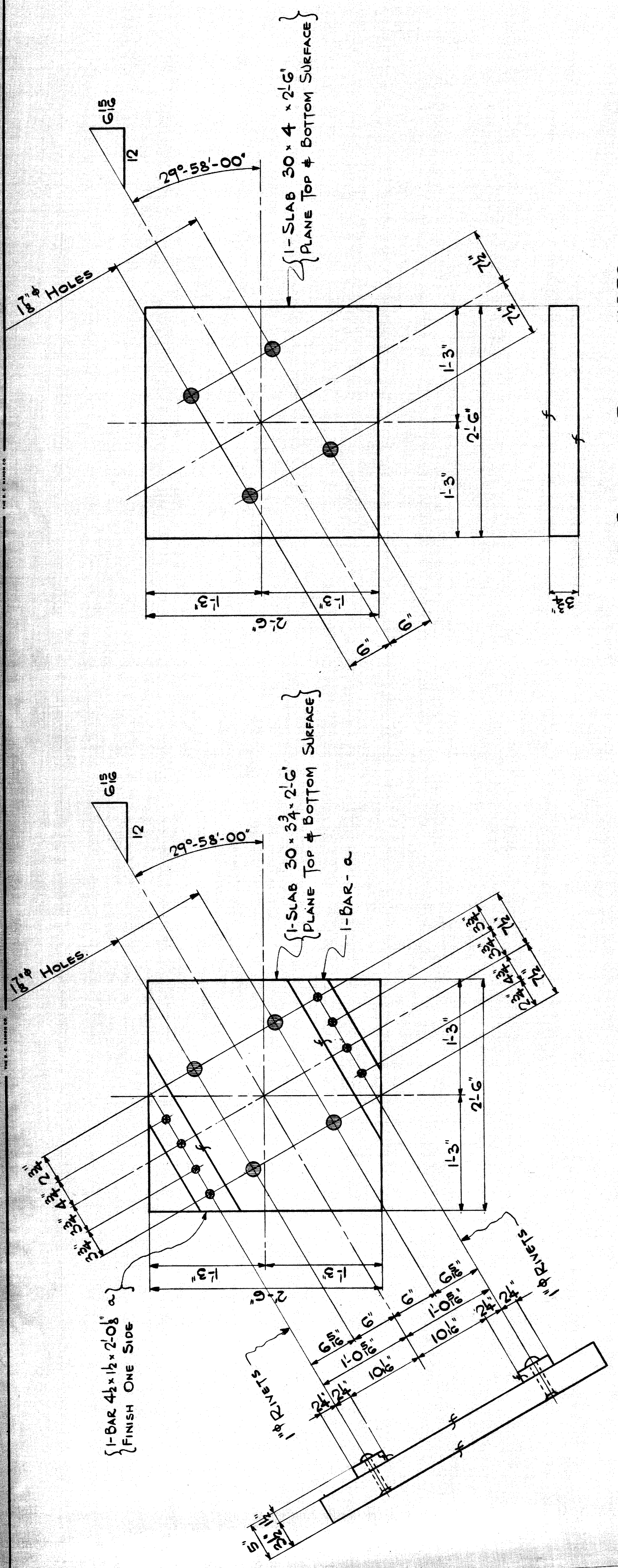
16 - TOP CASTINGS - 10TC1
8 - BOTTOM CASTINGS - 10BC2 (FOR FIXED END) ORDERED.
8 - DO DO - 10BC3 (FOR EXPANSION END)

NOTES:-
MATERIAL - CAST STEEL
SPECIFICATIONS - A.S.T.M. A 154 - 33T
CLASS B, REGULAR, ANNEALED.
SHOP PAINT - 1-COAT MICH. STATE HWY.
MIX #1 EXCEPT PIN HOLE TO BE
COATED WITH WHITE LEAD AND
TALLOW
MATCH MARK IN PAIRS AFTER BORING.

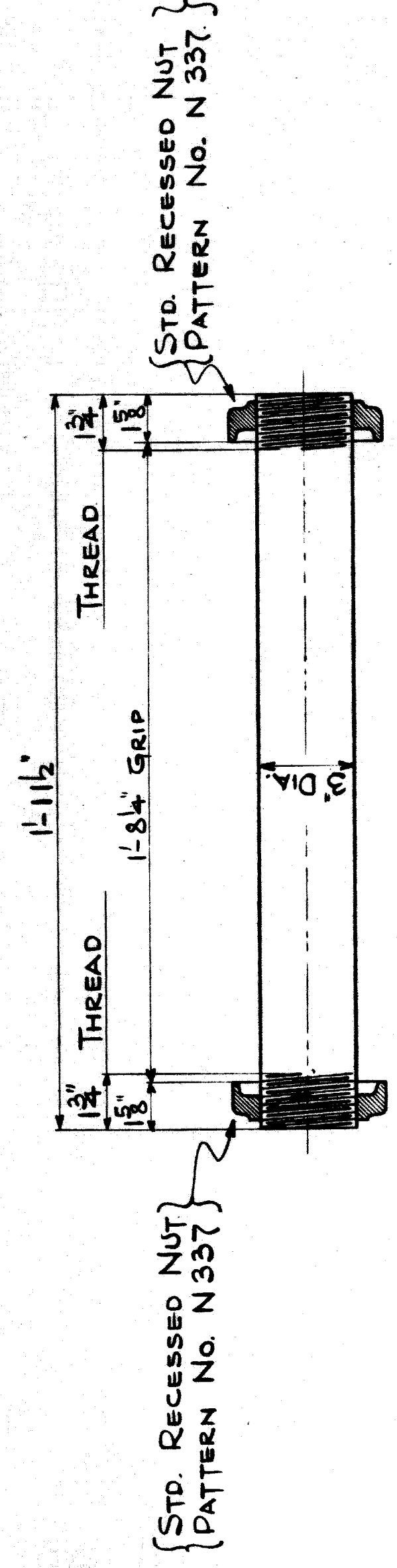
THE R. C. MAHON COMPANY
DETROIT, MICHIGAN
STRUCTURAL STEEL DIVISION
MICHIGAN STATE HIGHWAY DEPARTMENT
BRIDGE CROSSING JOHN R. ST. AT GED. TRUNK WESTERN RR.
CASTINGS BRIDGE XI OF 82-22-49
Made by J.T. Checked by J.C. Date: 11-28
Shop Rivets Shop Paint SEE NOTE
Open Holes Field Paint
CONTRACT 37075 SHEET No. 10

FILED

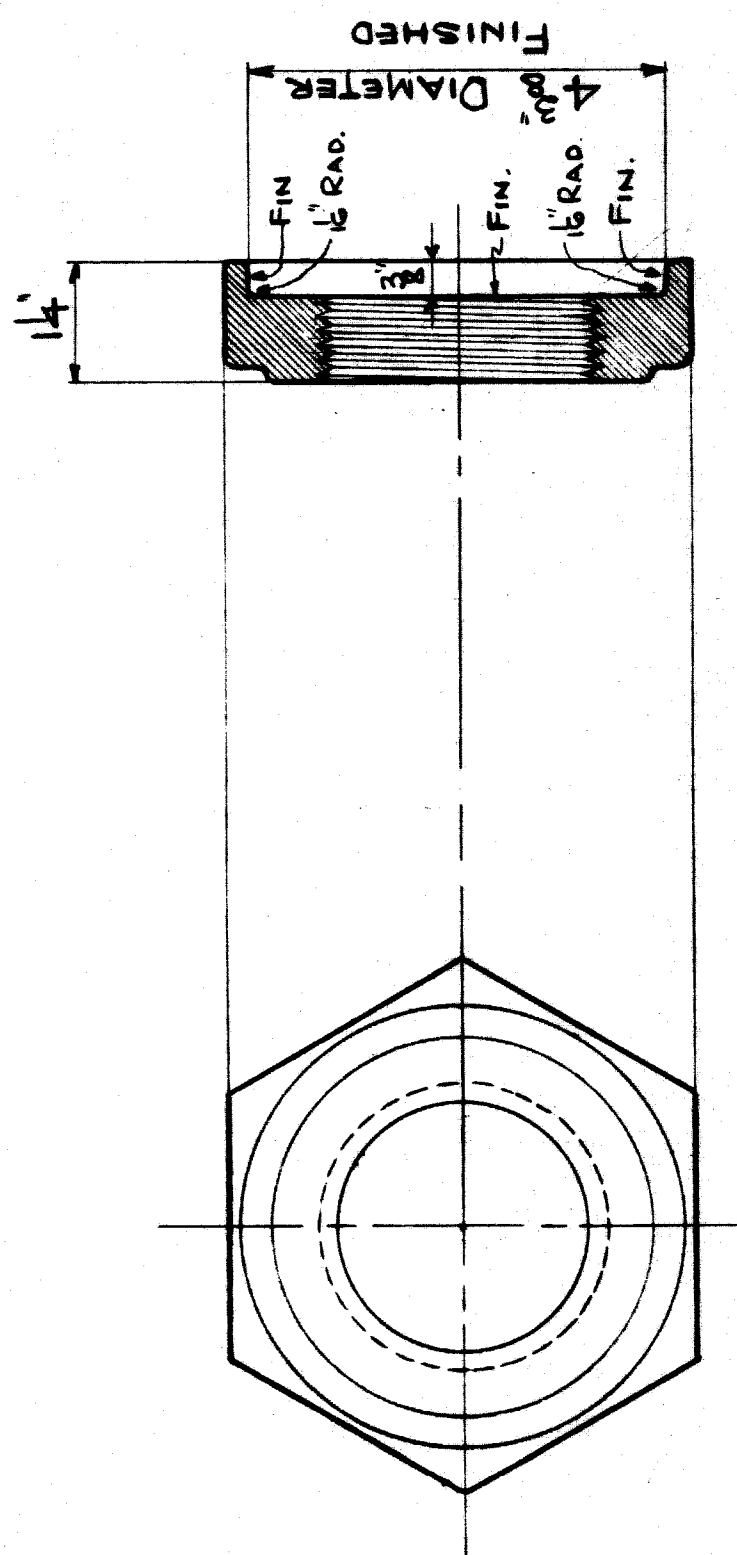
THE R. C. MAHON COMPANY
 DETROIT, MICHIGAN
STRUCTURAL STEEL DIVISION
 MICHIGAN STATE HIGHWAY DEPARTMENT
 BRIDGE CROSSING JOHN R. ST. AT GRD. TRUNK WESTERN R.
 Misc. Details. — BRIDGE XI OF 82-22-49
 Made by J.T. Checked by R.R. Date 1/18/38
 Shop Rivets As Noted Shop Paint Mich. State Hwy. Mix. #1
 Open Holes As Noted. Unless Noted Field Paint
 CONTRACT 37075 SHEET No. 11



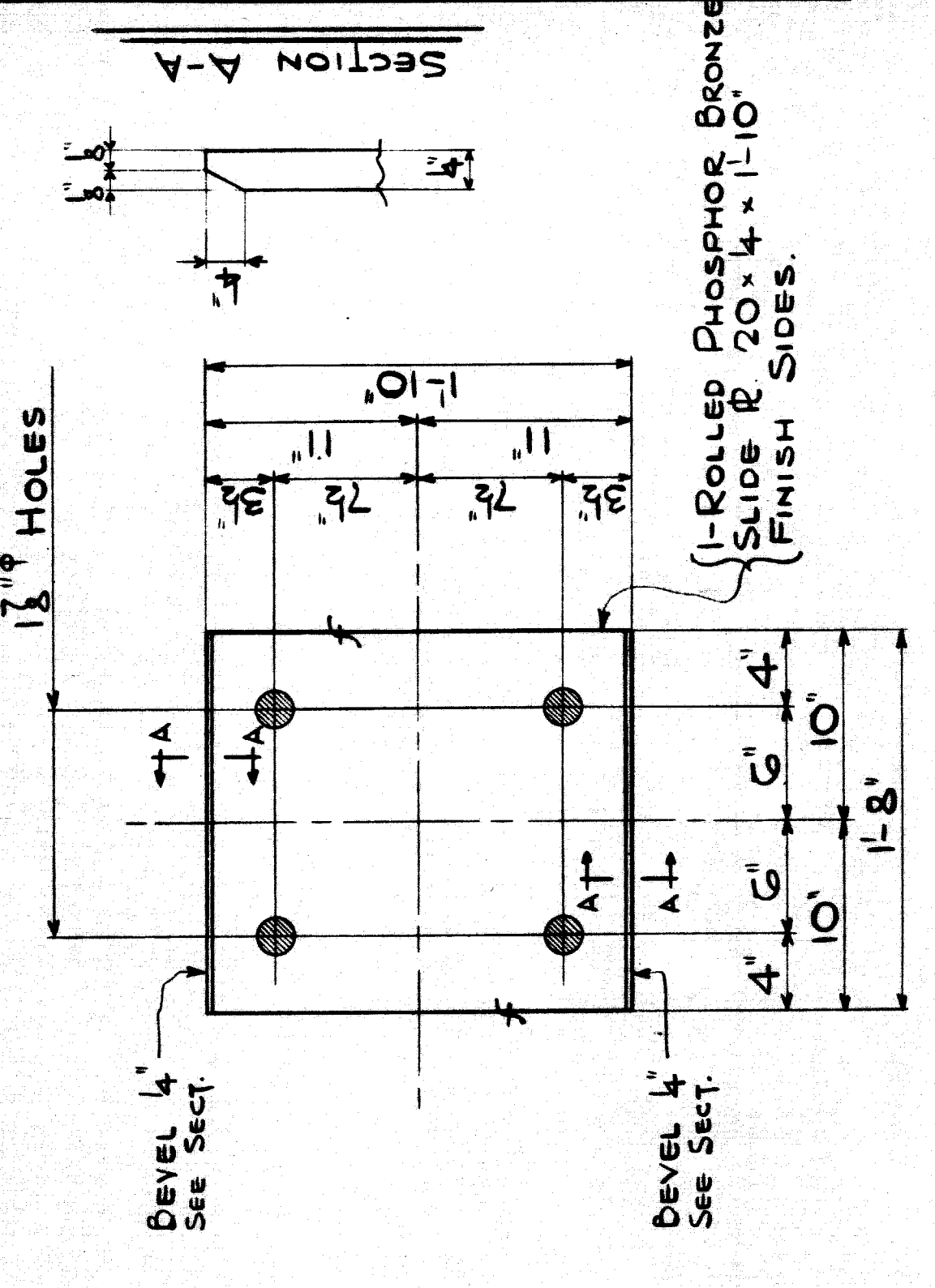
8-BEARING PLATES - 11BP1



16 - PINS - 11PI (ORDERED)
(COLD ROLLED STEEL)
1-COAT WHITE LEAD & TALLOW.

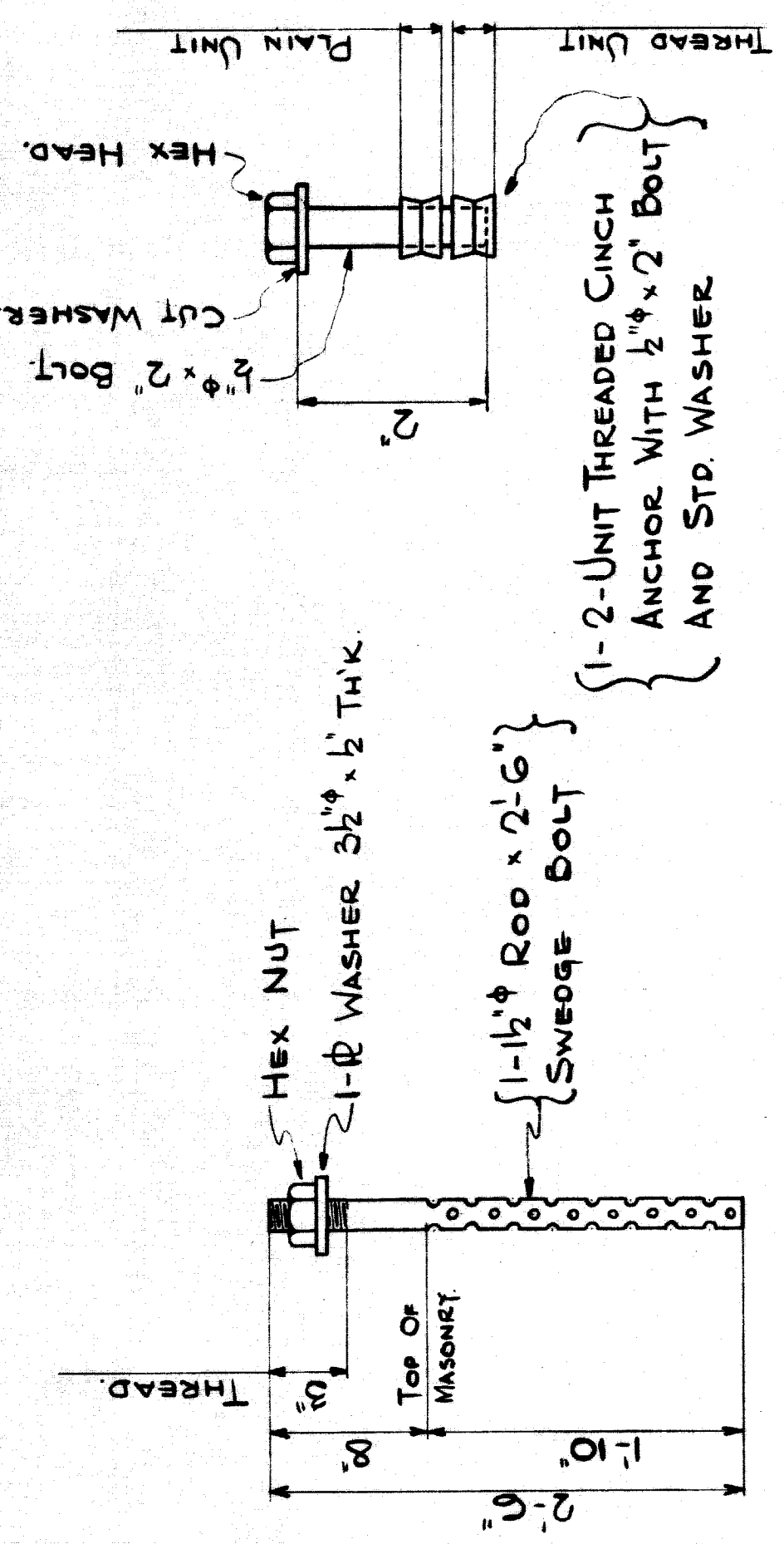


STD. RECESSED NUT (CAST STEEL)
PATTERN No. N 337



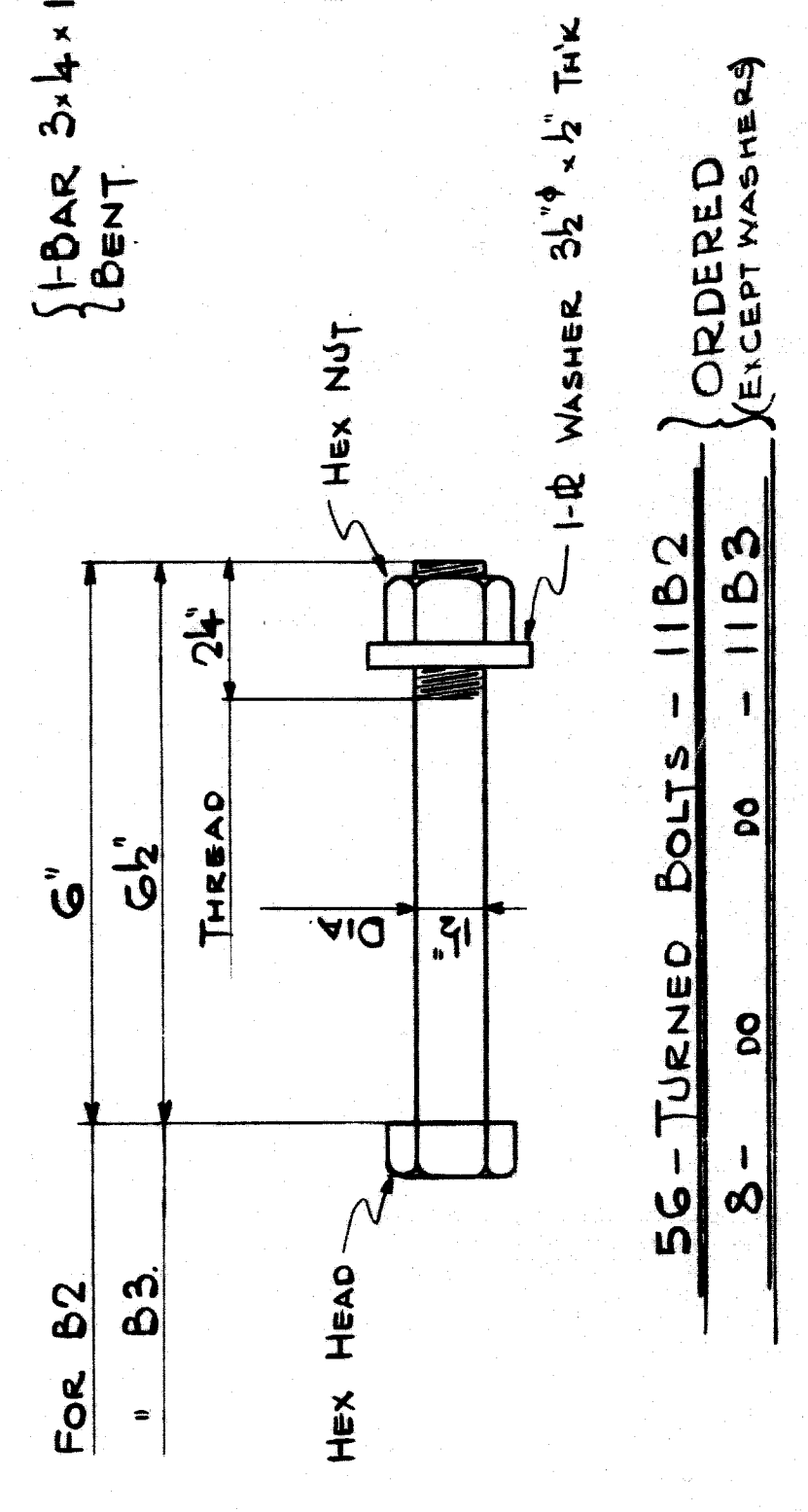
8-BRONZE SLIDE PLATES - 11MI (ORDERED)
NO PAINT

8-BEARING PLATES - 11BP2

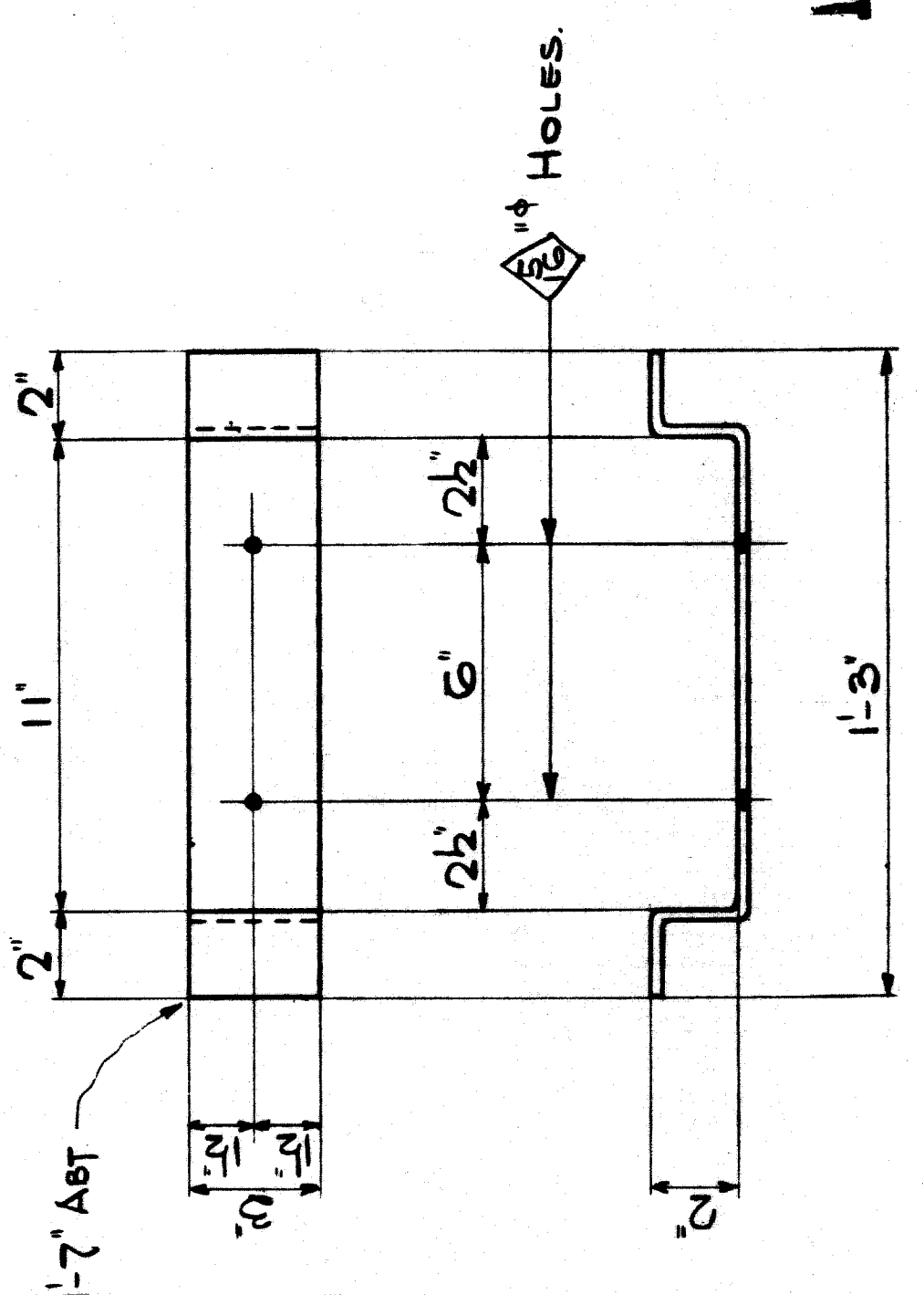


58-EXPANSION BOLTS - 11B4

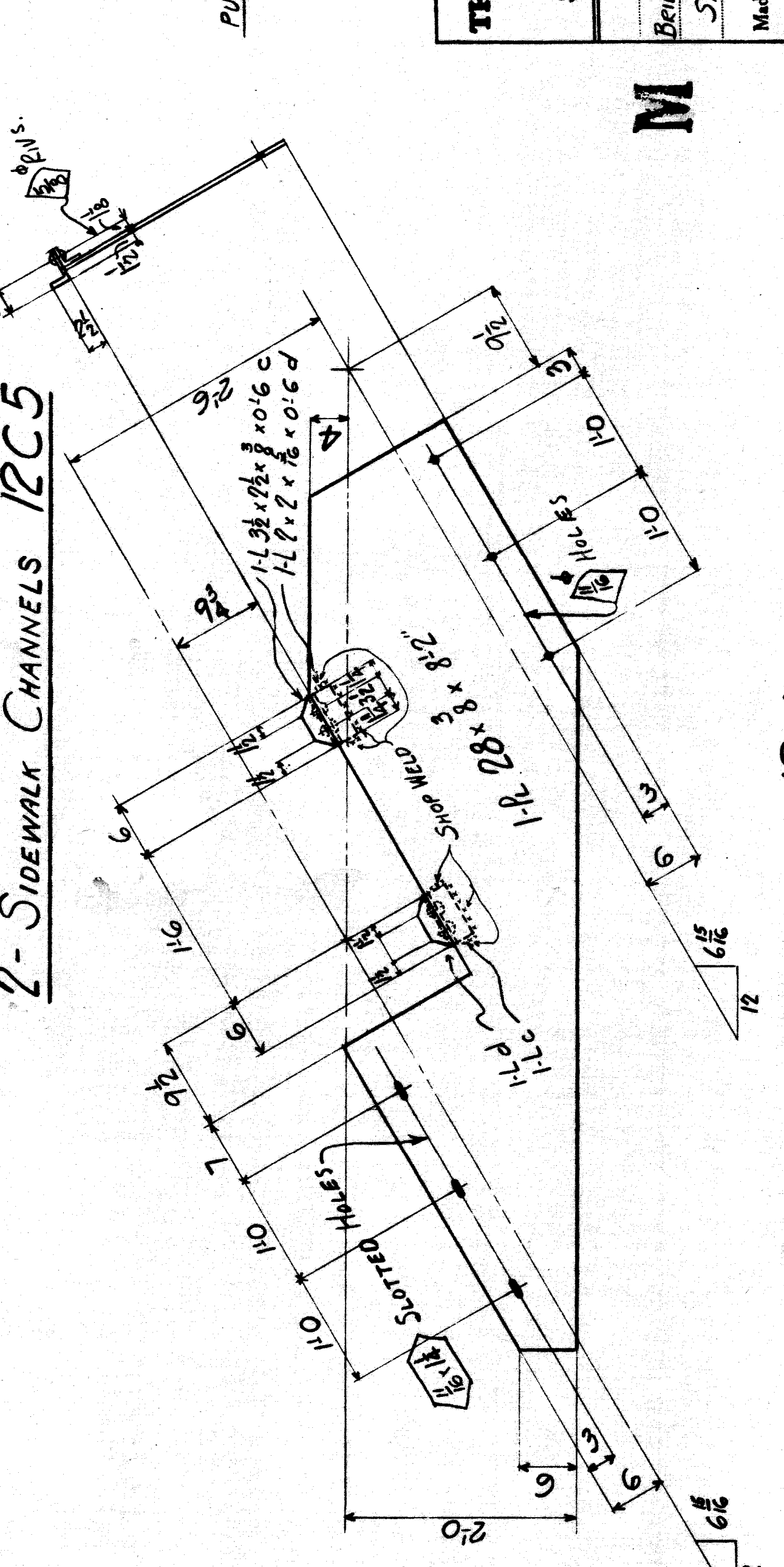
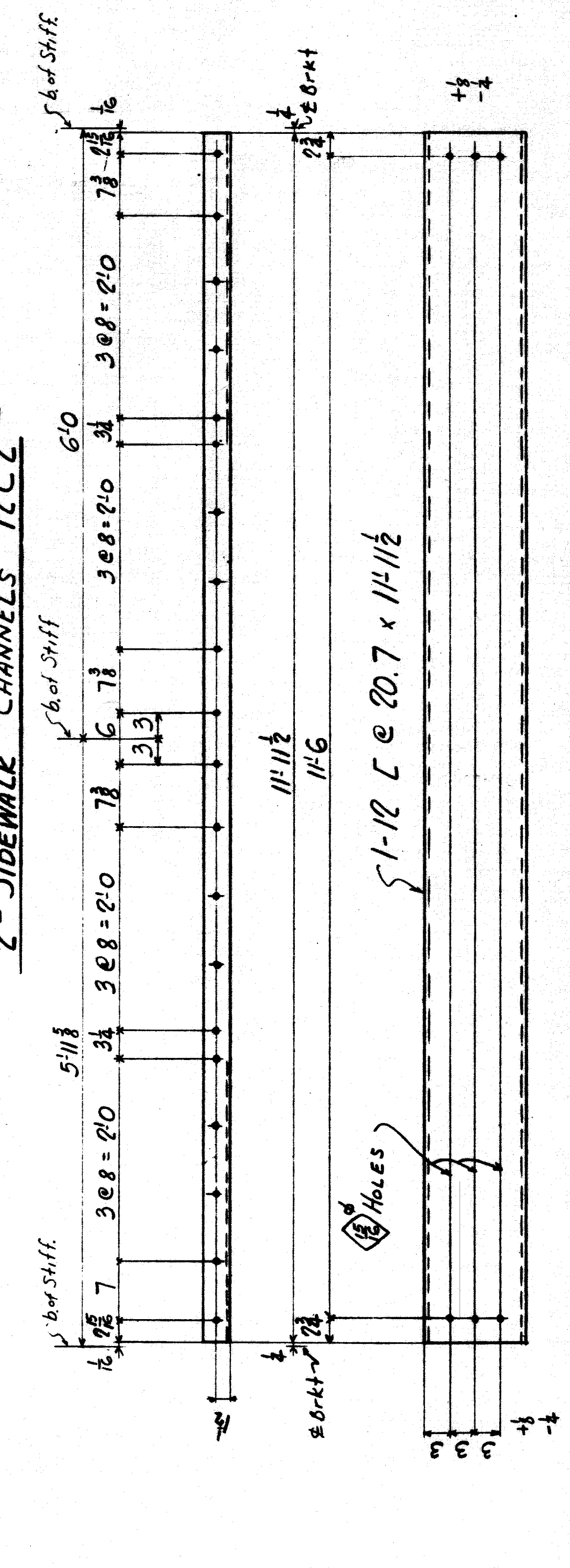
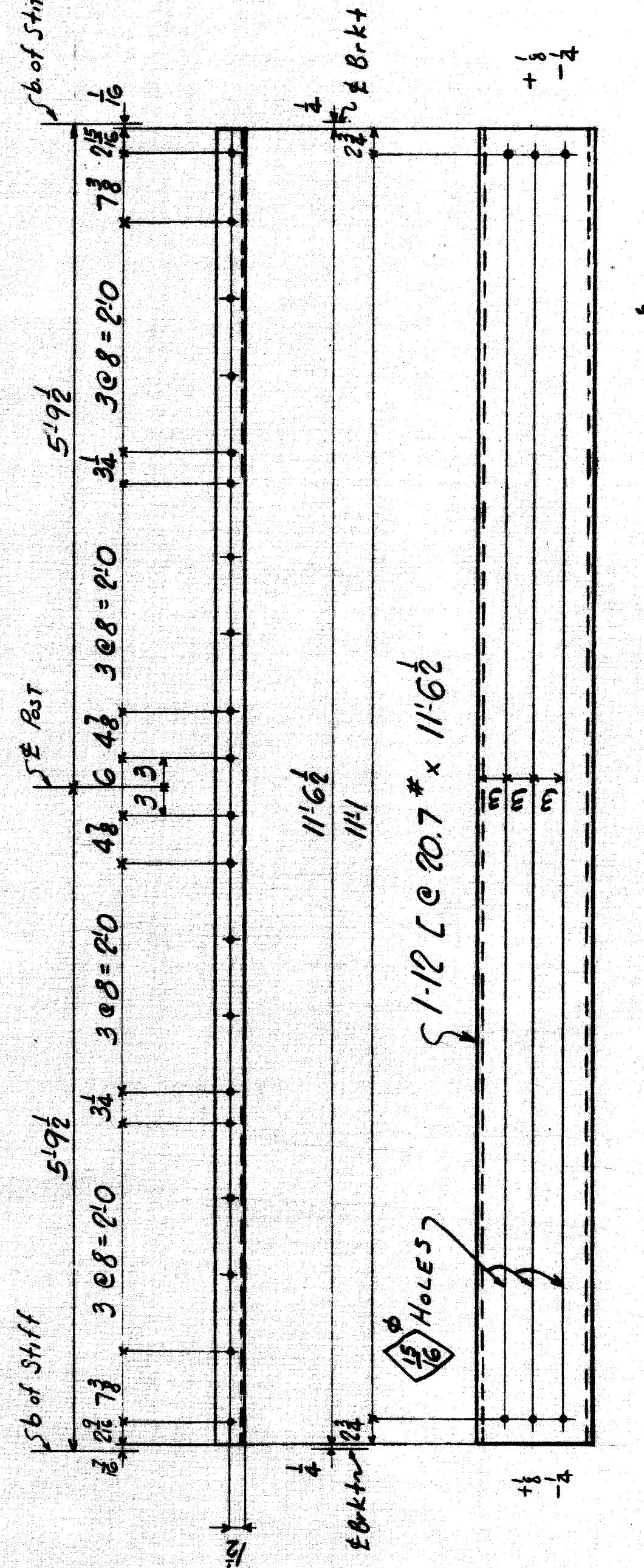
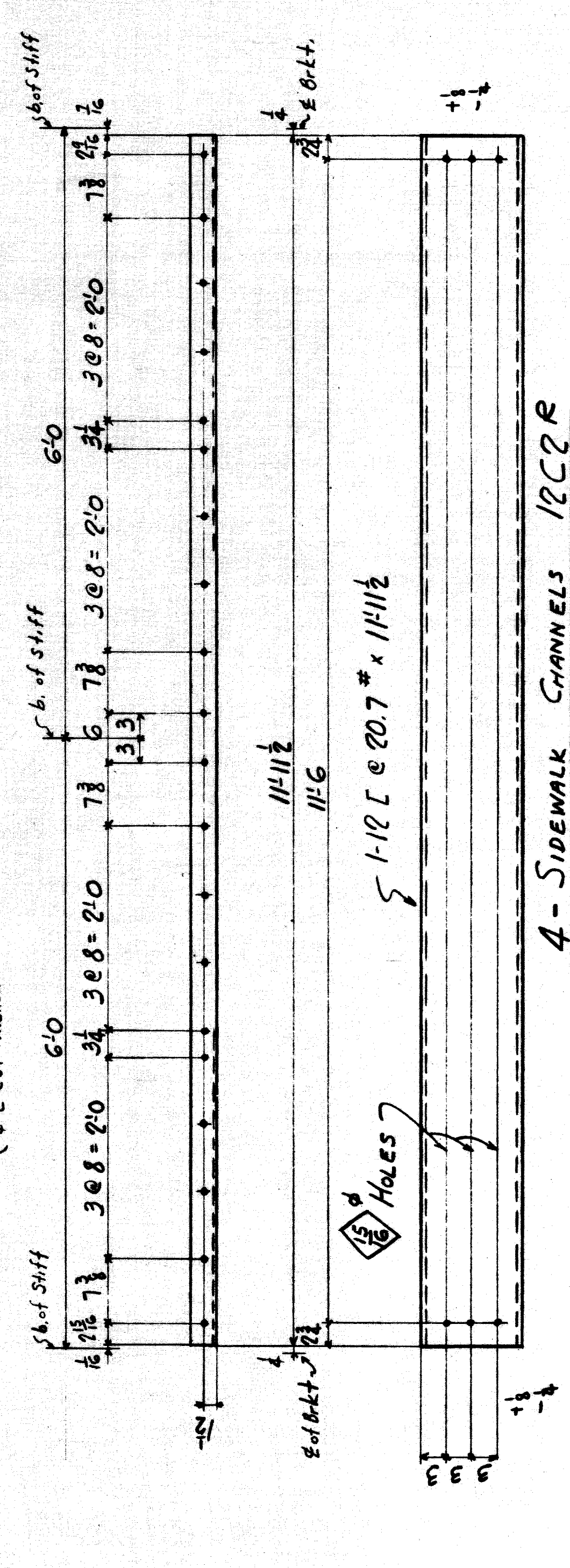
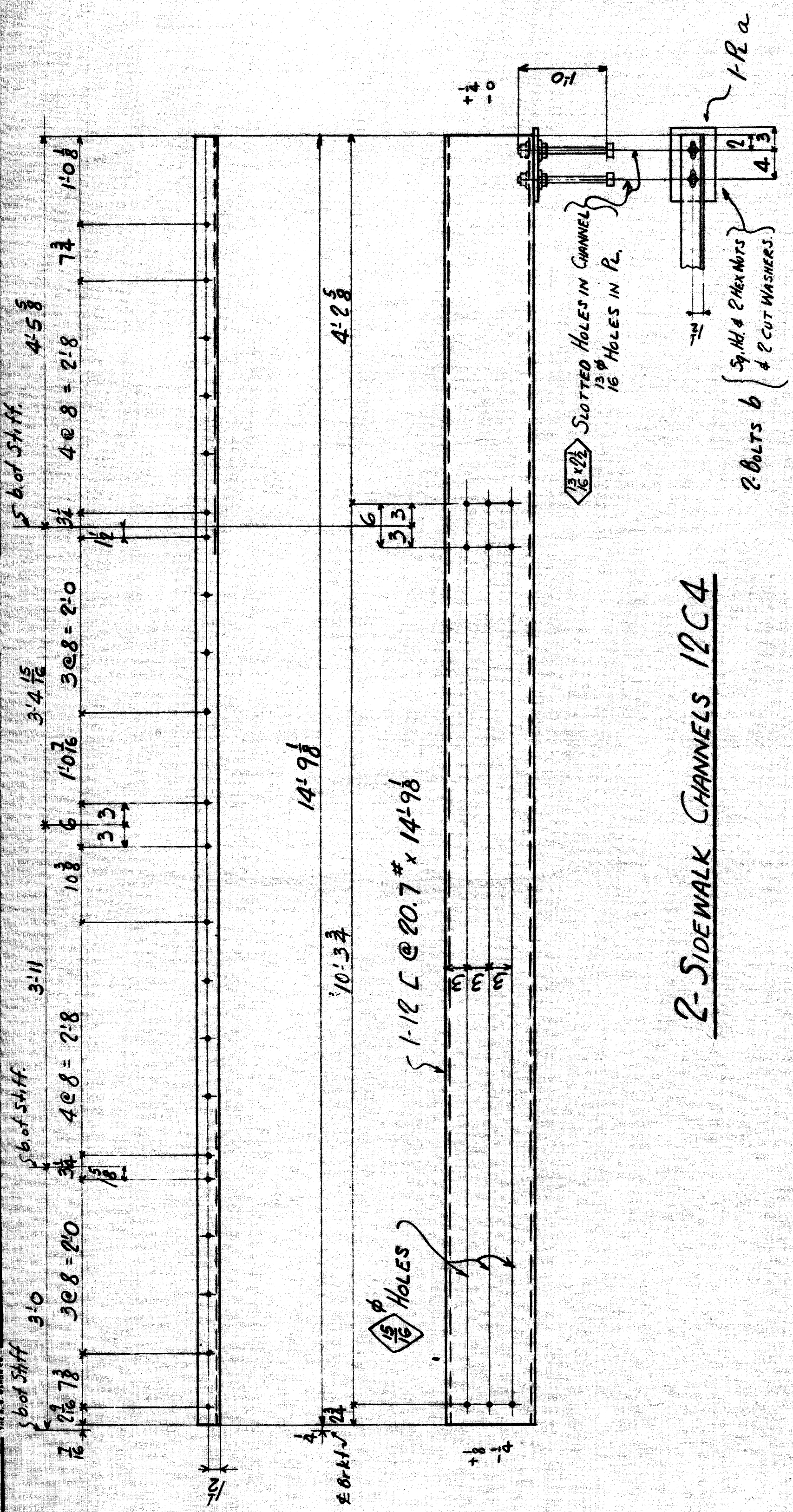
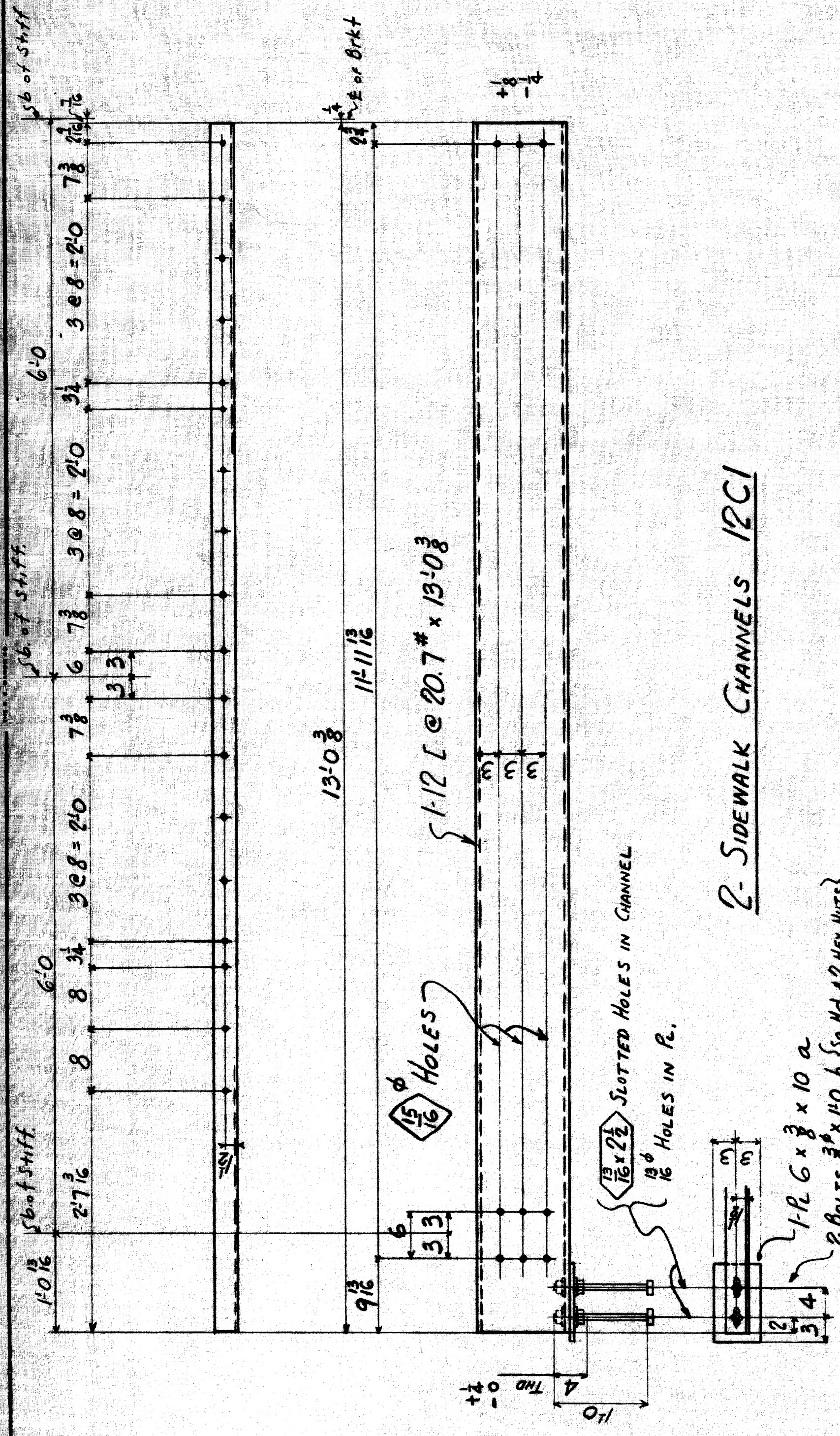
64-ANCHOR BOLTS - 11B1



56-TURNED BOLTS - 11B2
8-00 00 - 11B3
(EXCEPT WASHERS) ORDERED



63-WALKWAY STRAPS - 11W1



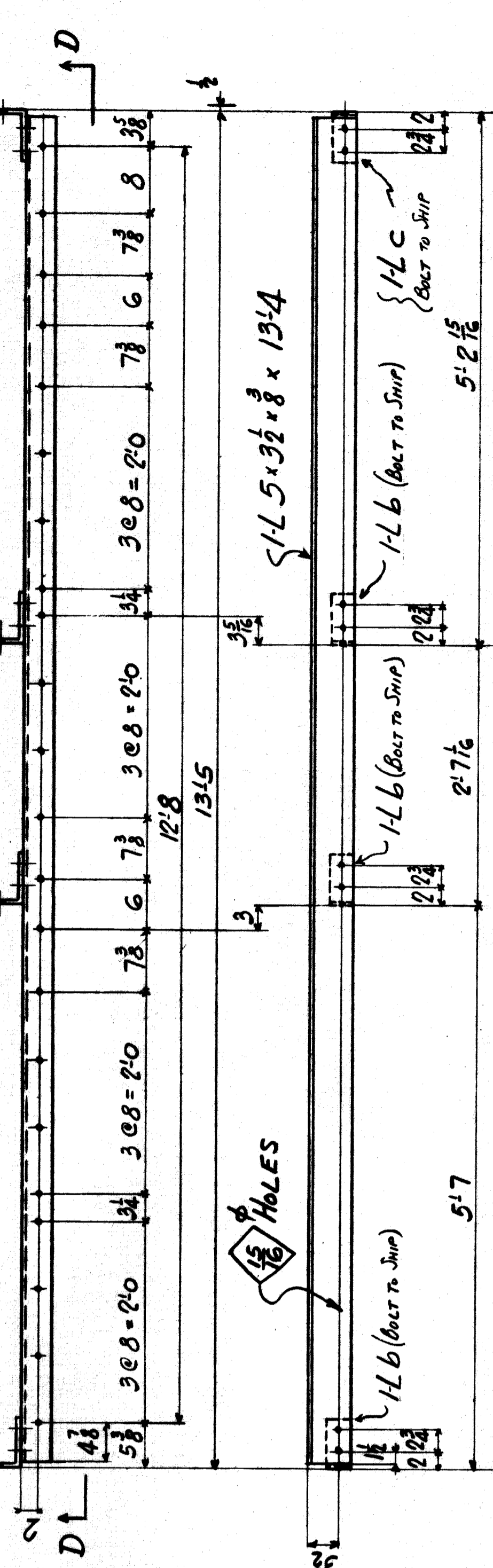
NOTE
ALL WORK ON THIS SHEET
PUNCHED FULL SIZE.

THE R. C. MAHON COMPANY
DETROIT, MICHIGAN
STRUCTURAL STEEL DIVISION

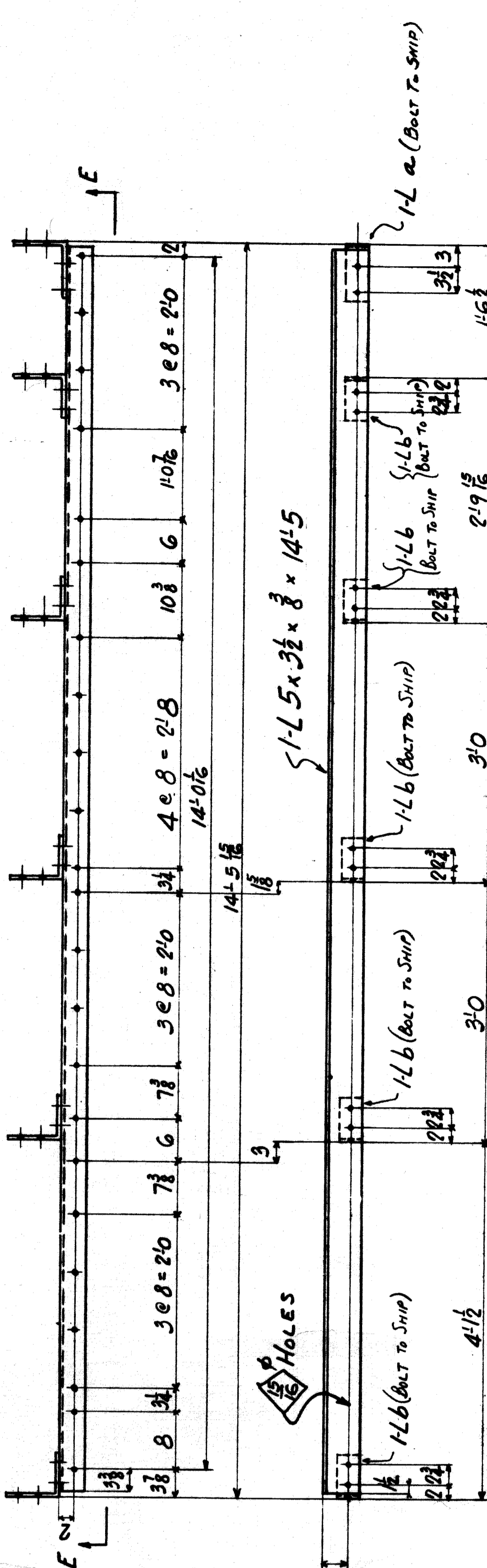
MICHIGAN STATE HIGHWAY DEPARTMENT
BRIDGE CROSSING JOHN R. ST. AT 650 TRUNK WESTERN P.R.
SIDEWALK CHANNELS BRIDGE XI OF 82-22-49

Made by H.F.M. Checked by F.M. Date: 1-17-38
Shop Rivet As Noted Shop Paint Mich. S. Heavy. Mix #1
Open Hole 1/8" UN. Field Paint

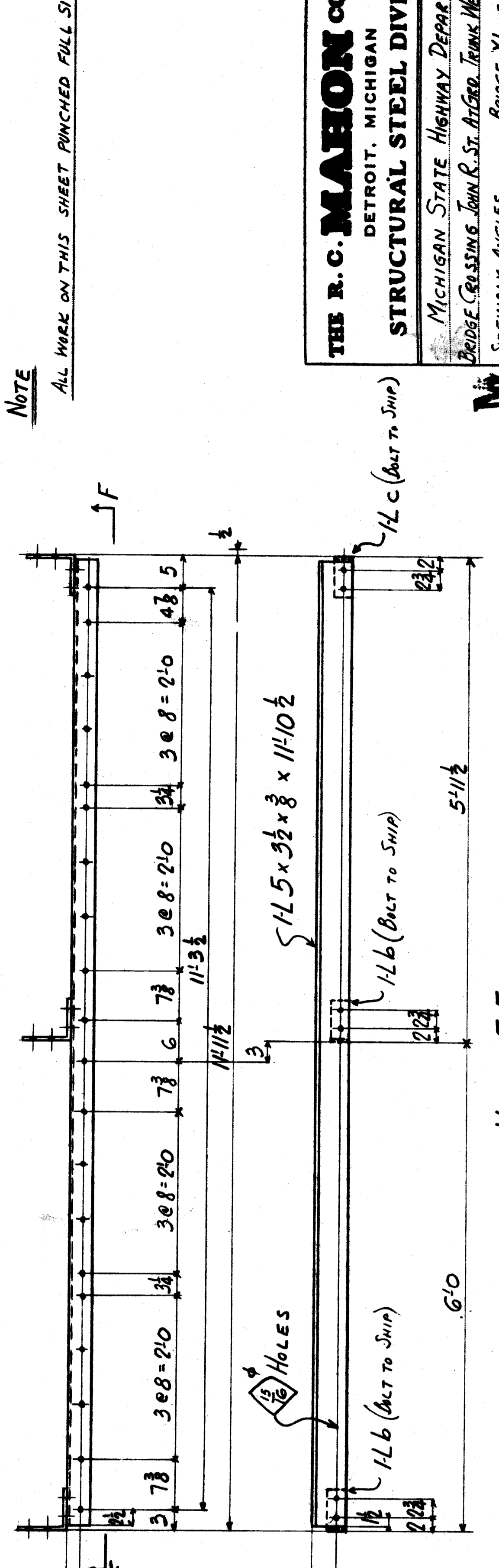
CONTRACT 37075 SHEET No. 12



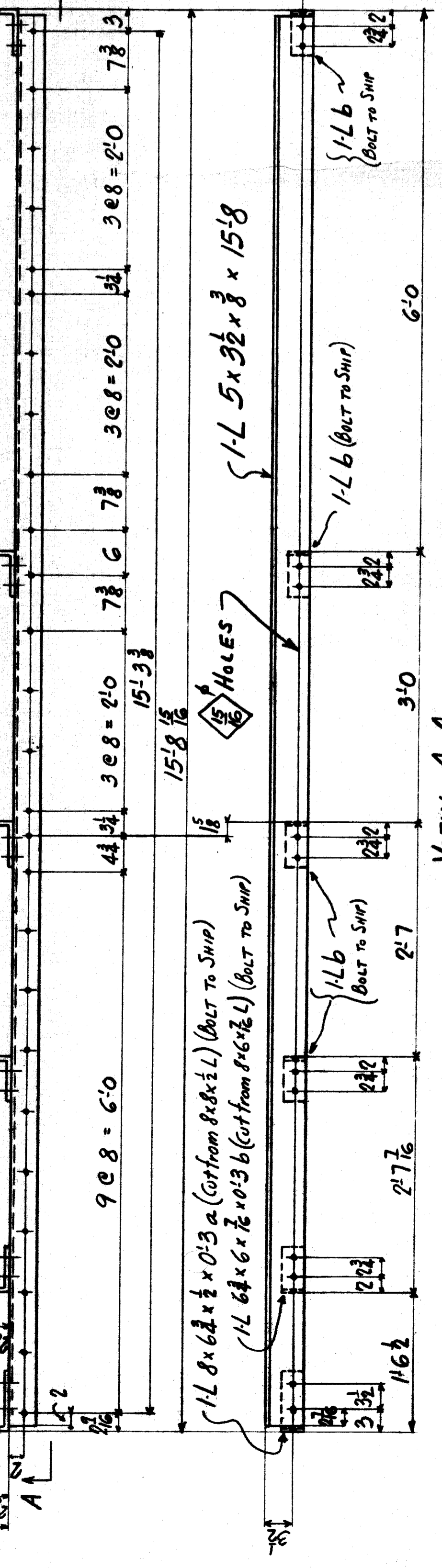
VIEW D-D
2-SIDEWALK ANGLES 13A4



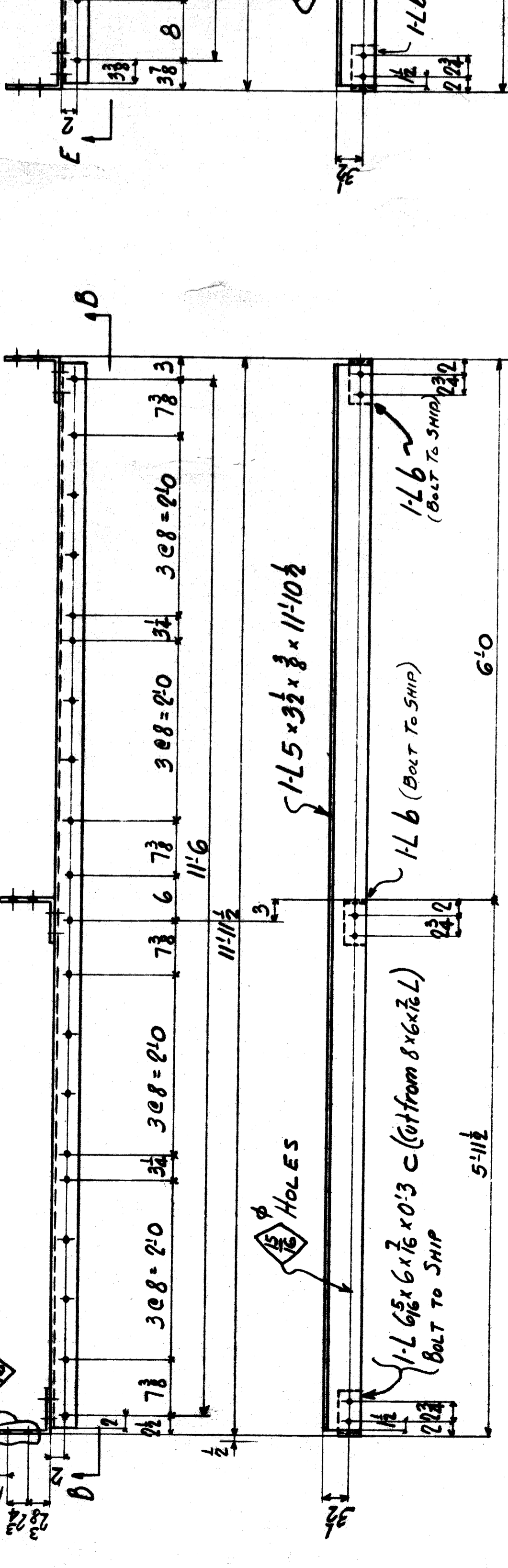
VIEW E-E
2-SIDEWALK ANGLES 13A5



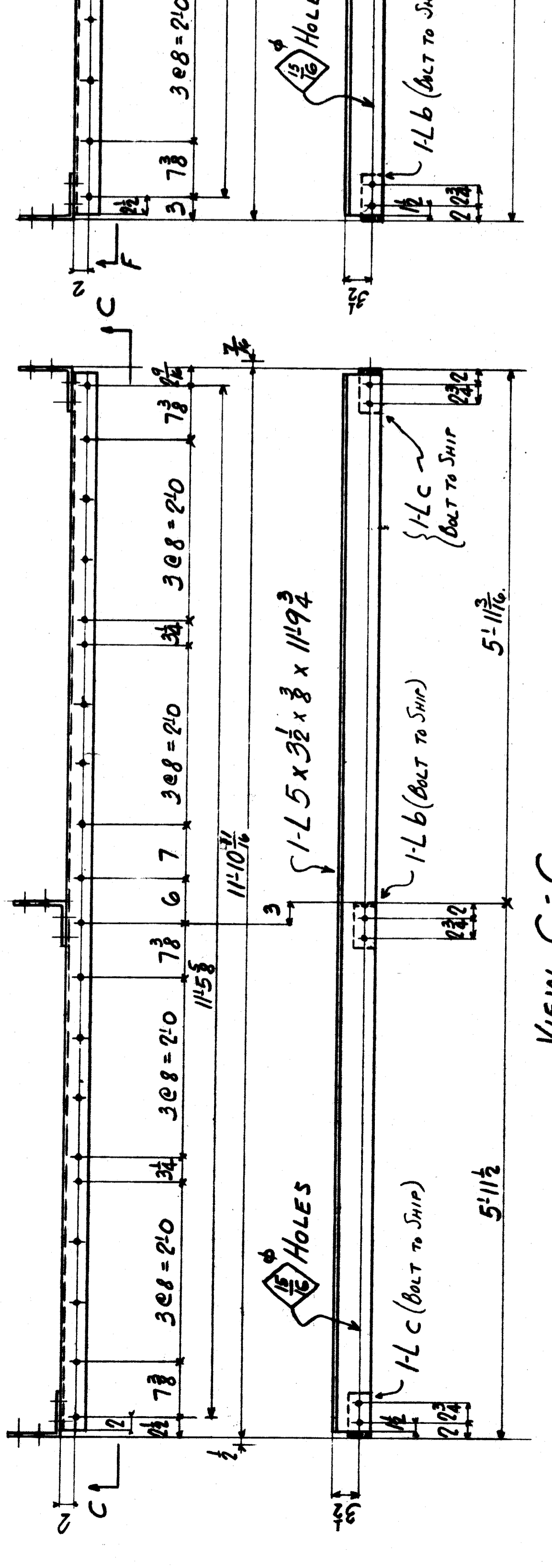
VIEW F-F
2-SIDEWALK ANGLES 13A6



VIEW A-A
2-SIDEWALK ANGLES 13A1



VIEW B-B
4-SIDEWALK ANGLES 13A2



VIEW C-C
2-SIDEWALK ANGLES 13A3

NOTE
ALL WORK ON THIS SHEET PUNCHED FULL SIZE.

THE R. C. MAHON COMPANY
DETROIT, MICHIGAN
STRUCTURAL STEEL DIVISION

MICHIGAN STATE HIGHWAY DEPARTMENT
BRIDGE CROSSING TOWN R. ST. AGED. TRUNK WESTERN R.R.

MADE BY: H.F.M.
CHECKED BY: F.M.
DATE: 1-17-38

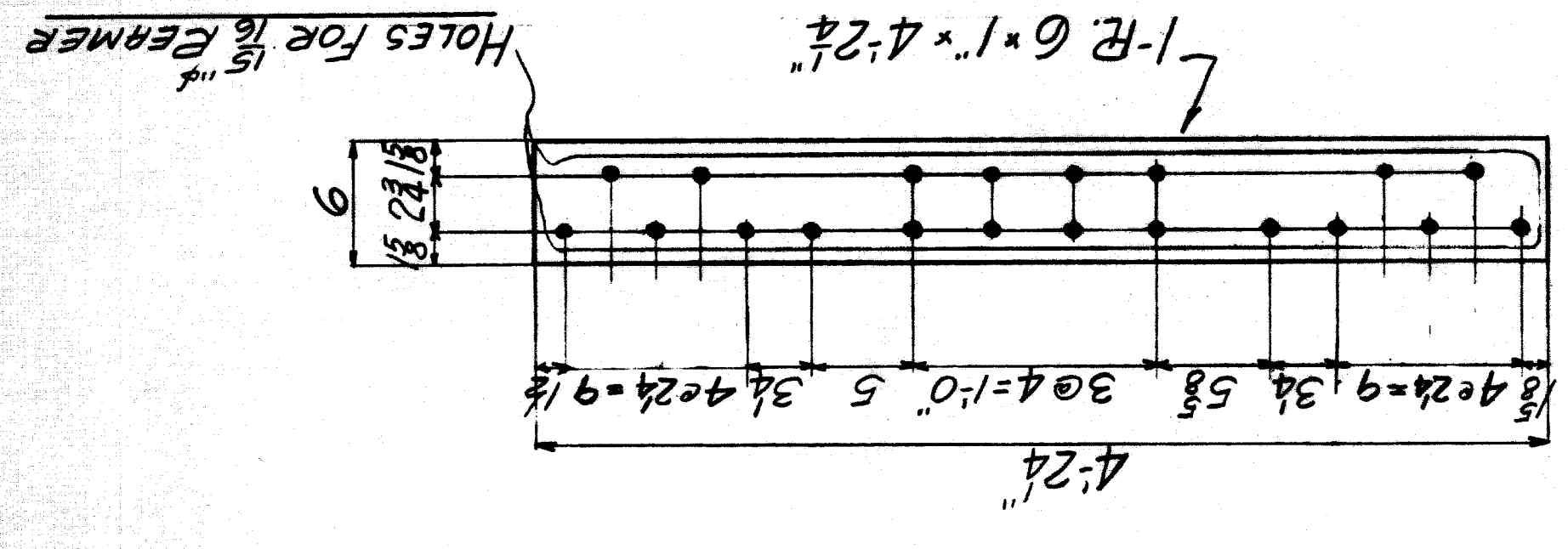
Shop: RIVERSIDE
Shop Files: Magn. S. Henry, Min. #1

Open Holes: 1/2" OUN.
FIELD PAINT

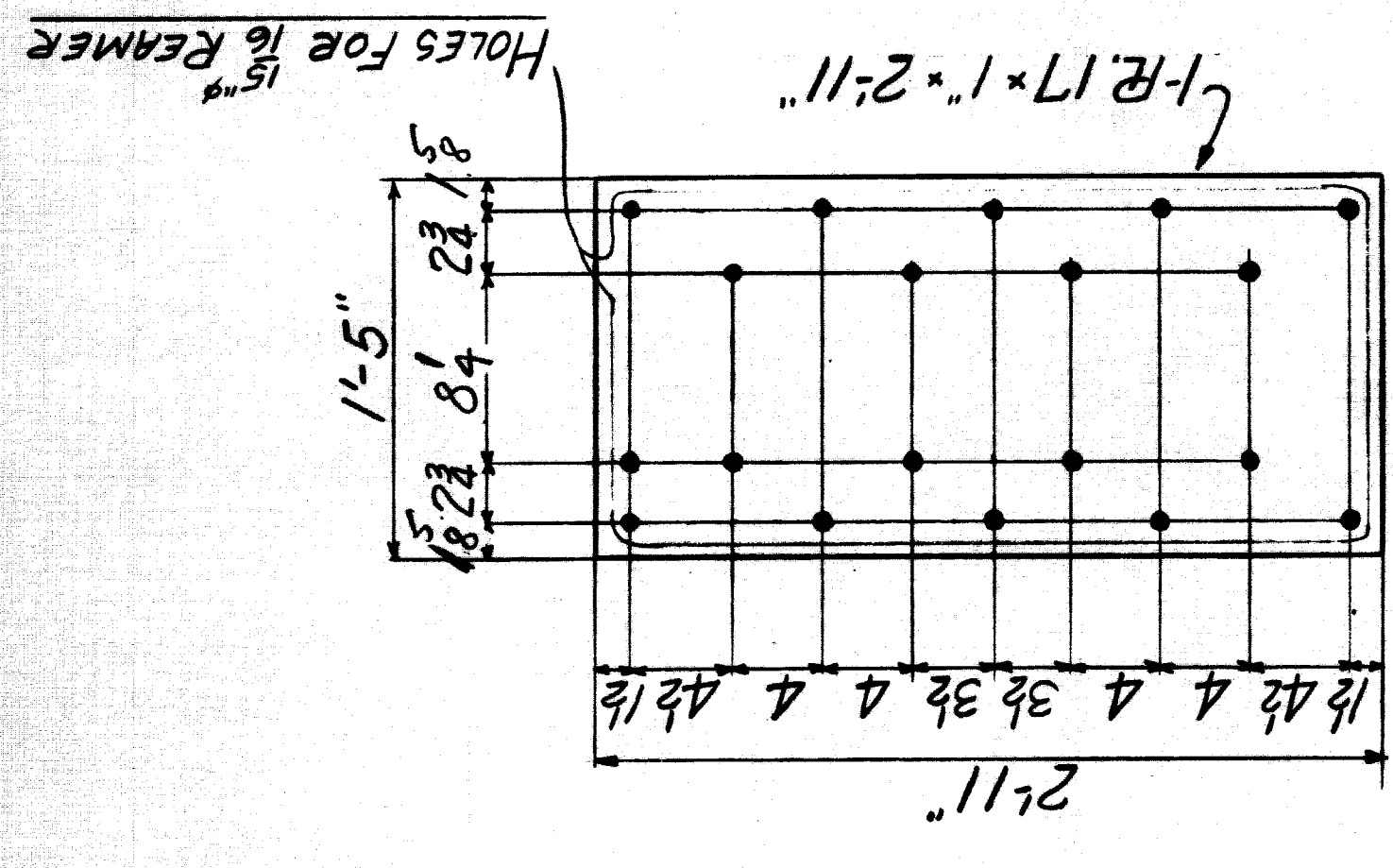
CONTRACT: 37075
SHEET NO. 13

CONCRETE BRANNING CO. INC. DET.

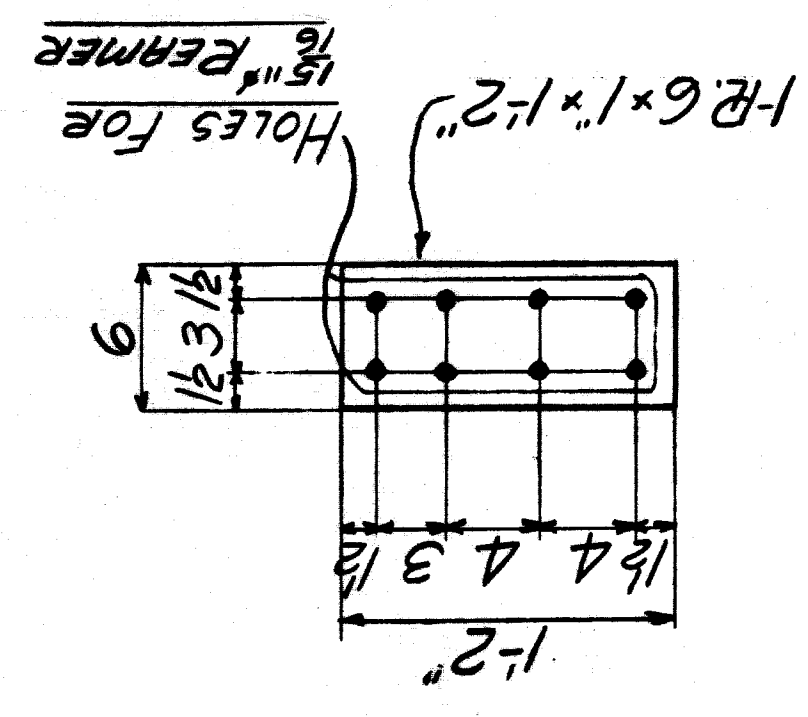
THE R. C. MAHON COMPANY
 DETROIT, MICHIGAN
STRUCTURAL STEEL DIVISION
 MICHIGAN STATE HIGHWAY DEPARTMENT
 BRIDGE CROSSING JOHN R STREET, DETROIT
 STEEL TEMPLETS BRIDGE XI OF 82-22-49
 Made by F.W. Checked by R.C. Date 1-10-38
 Shop Rivets As NOTED Shop Paint
 Open Holes As NOTED Field Paint
 CONTRACT 37075 SHEET No. 14



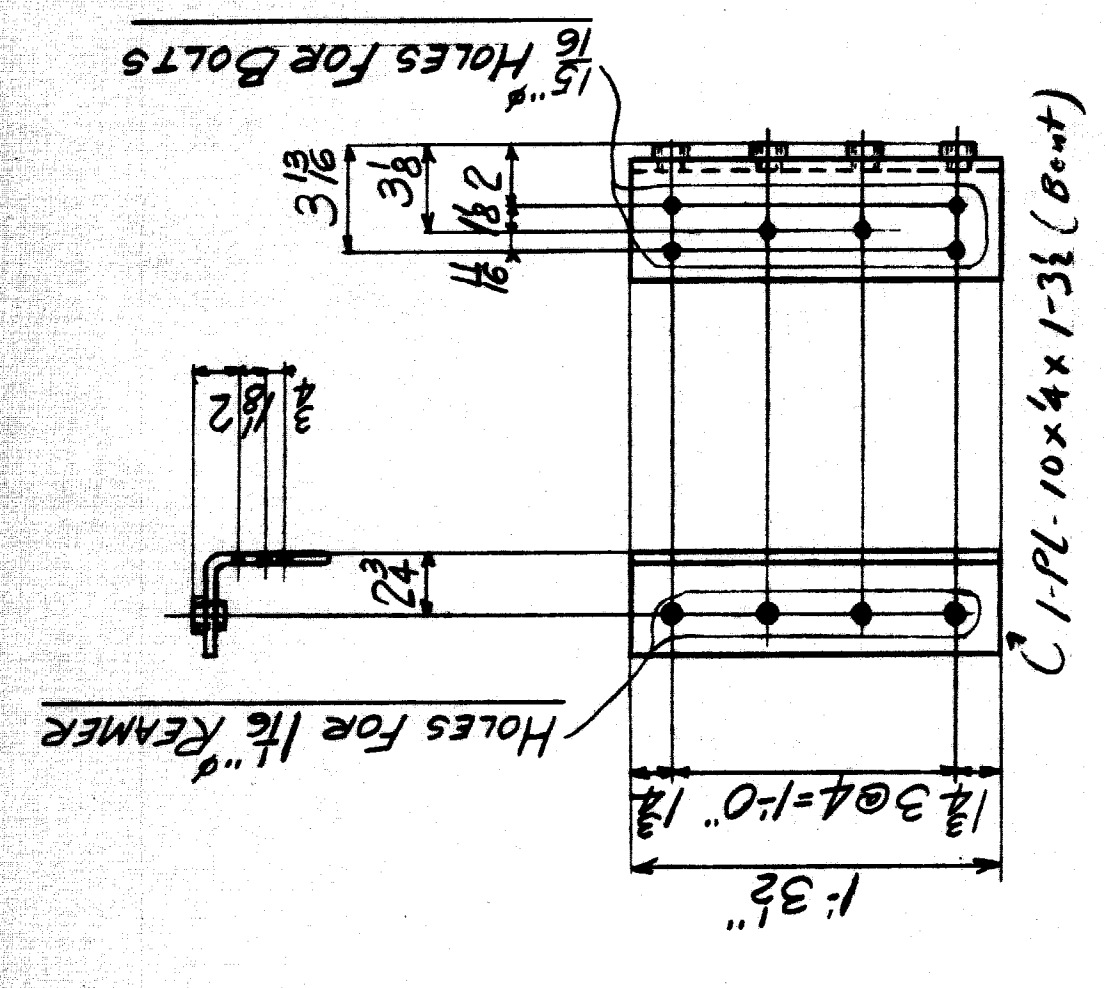
I-TEMPLET-Mk-T4



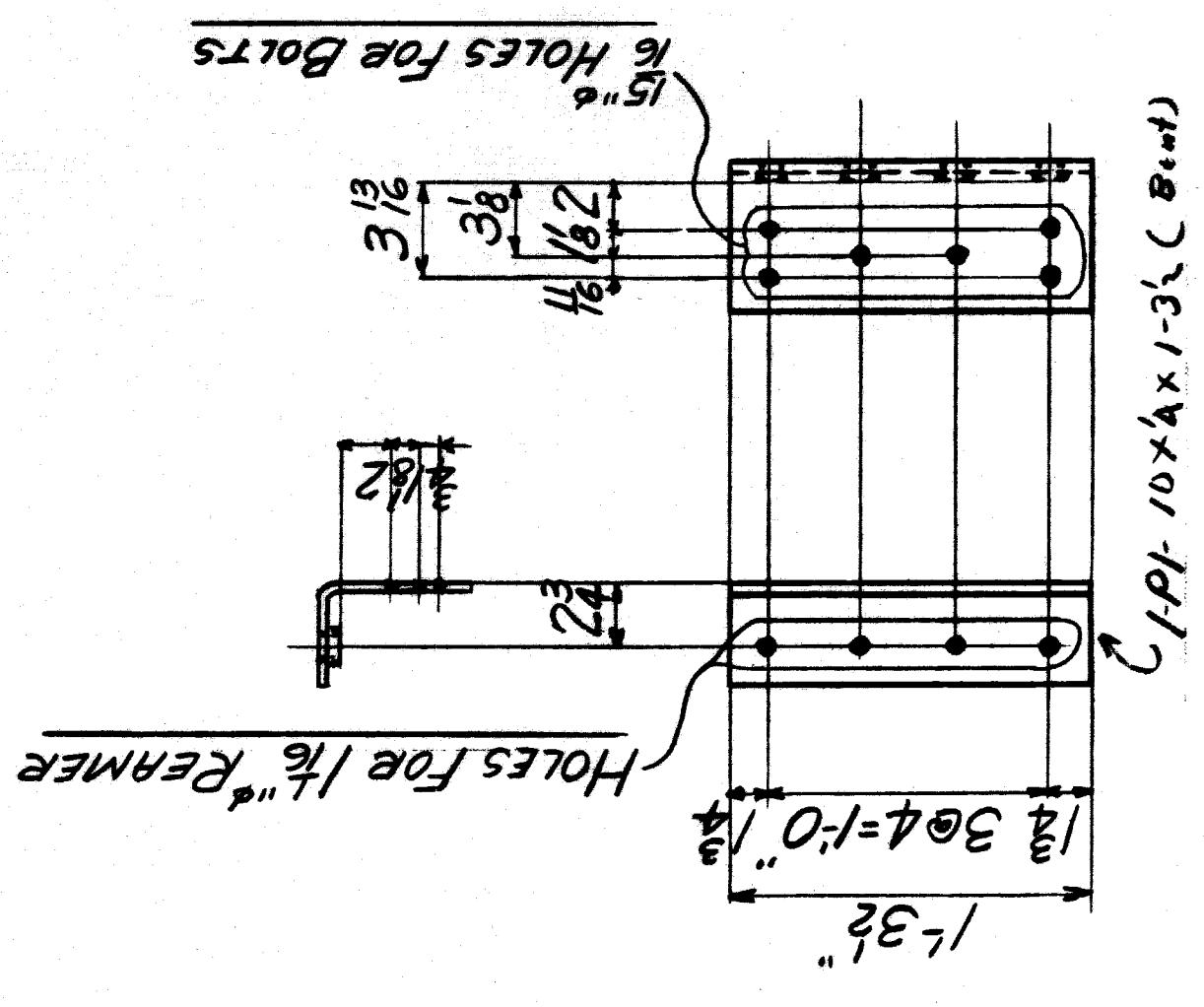
I-TEMPLET-Mk-T3



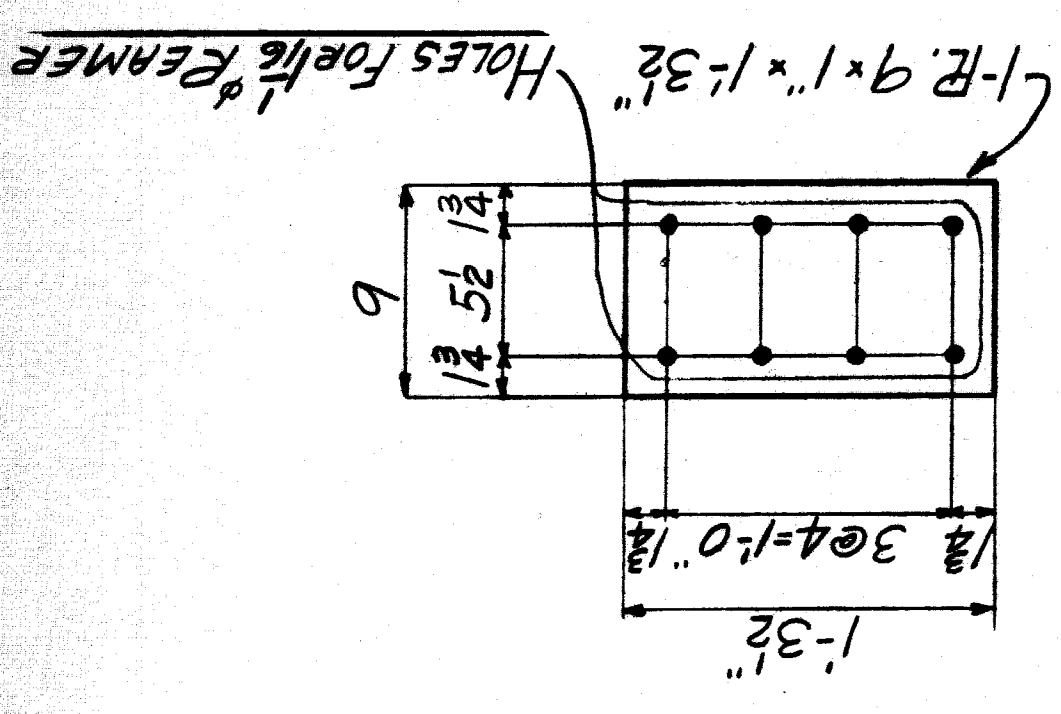
I-TEMPLET-Mk-T7



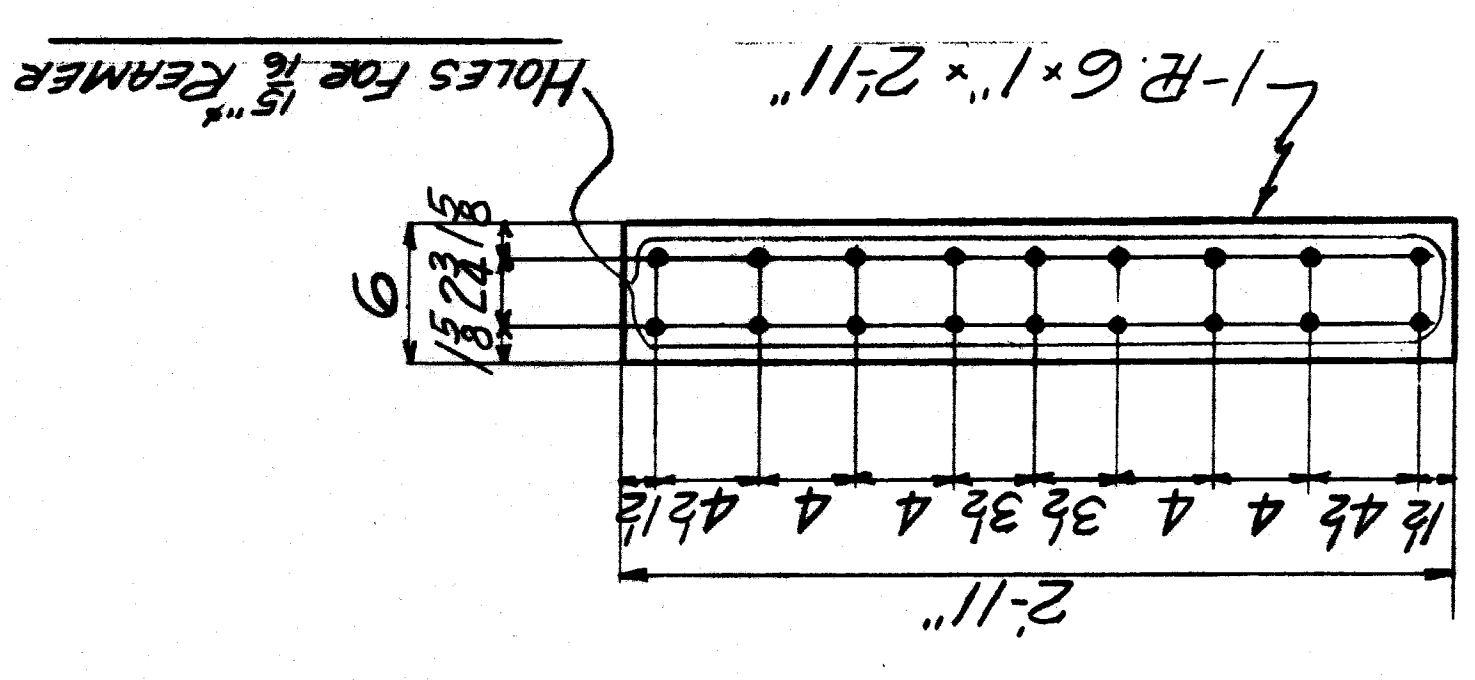
I-TEMPLET-Mk-T2



I-TEMPLET-Mk-T6



I-TEMPLET-Mk-T1

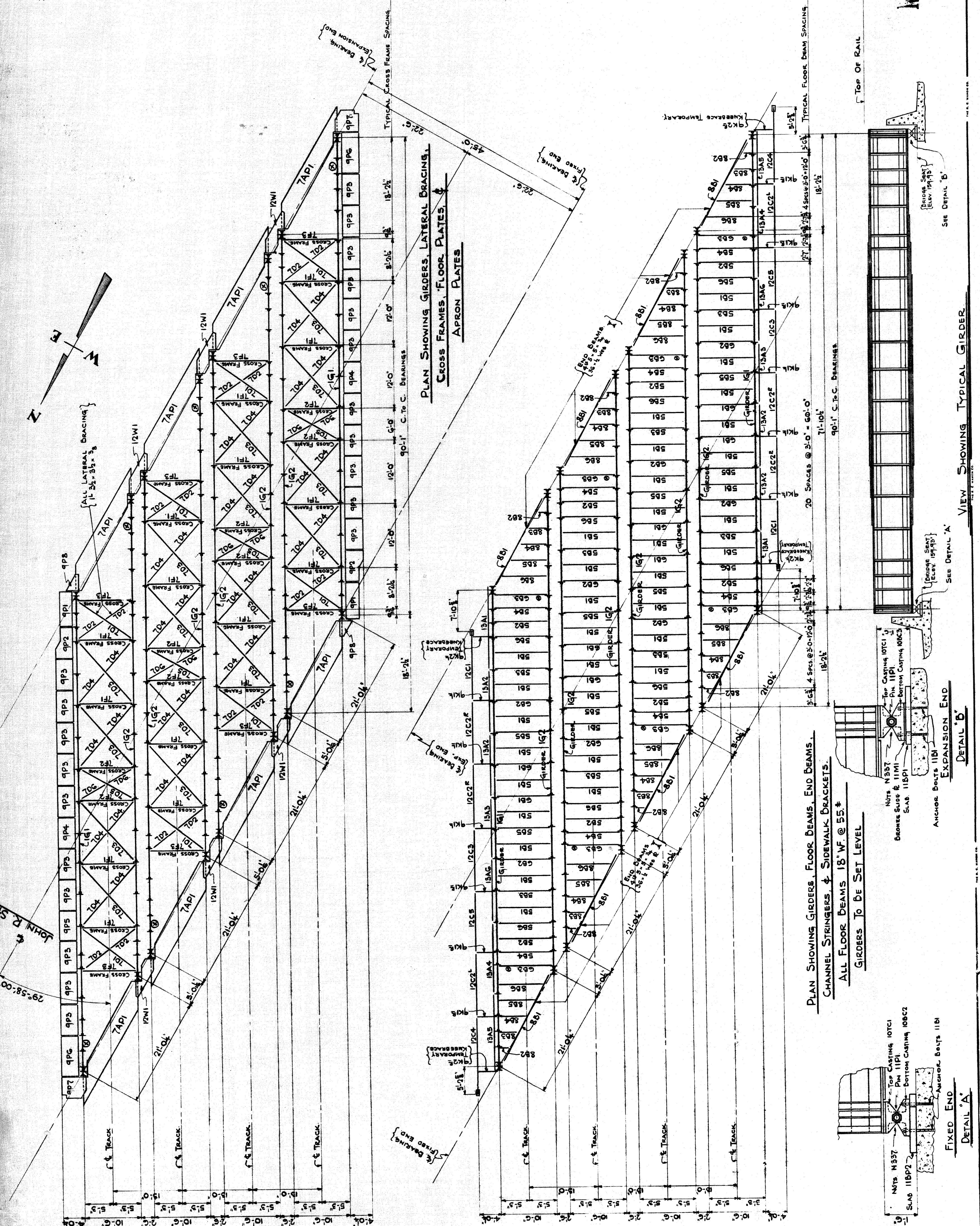
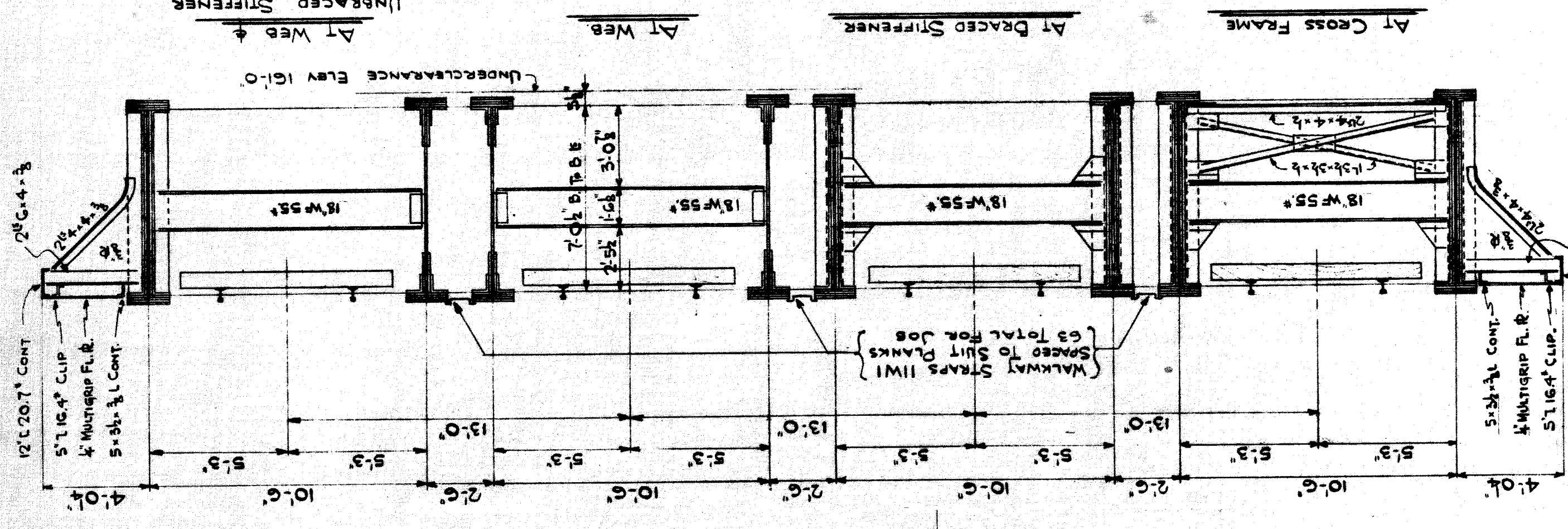


I-TEMPLET-Mk-T5

X-10-1-61

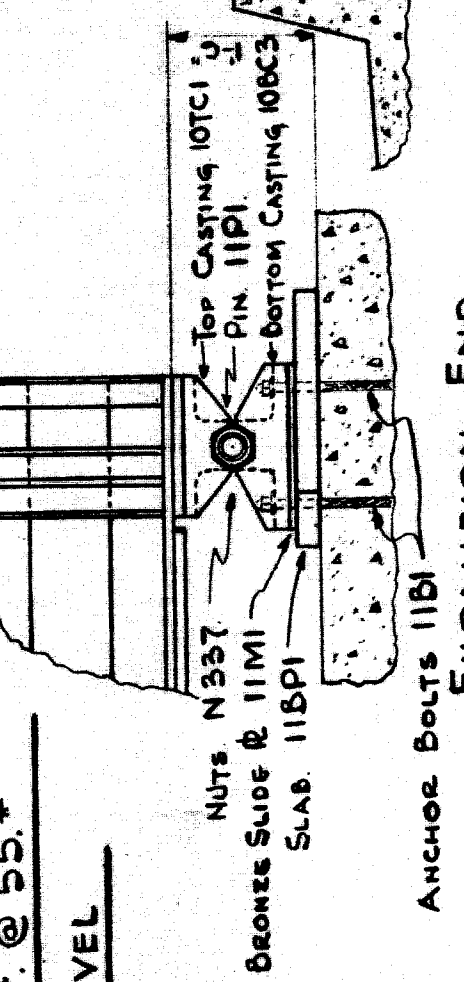
THE R. C. MAHON COMPANY
 DETROIT, MICHIGAN
STRUCTURAL STEEL DIVISION
 MICHIGAN STATE HIGHWAY DEPARTMENT
 BRIDGE CROSSING JOHN R. ST. AT GRAND TRUNK WESTERN R.R.
PLAN Bridge XI of 82-22-49
 Made by J.T. Checked by R.R. Date
 Shop F. Rivets
 Open Hole Field
 CONTRACT 37075 SHEET No. E1

TYPICAL CROSS SECTION AS SHOWN & NOTED

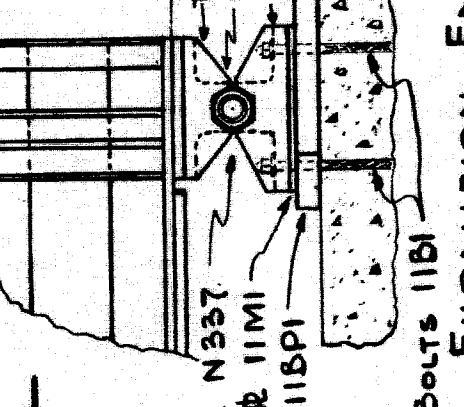


PLAN SHOWING GIRDERS, LATERAL BRACING, CROSS FRAMES, FLOOR PLATES & APRON PLATES

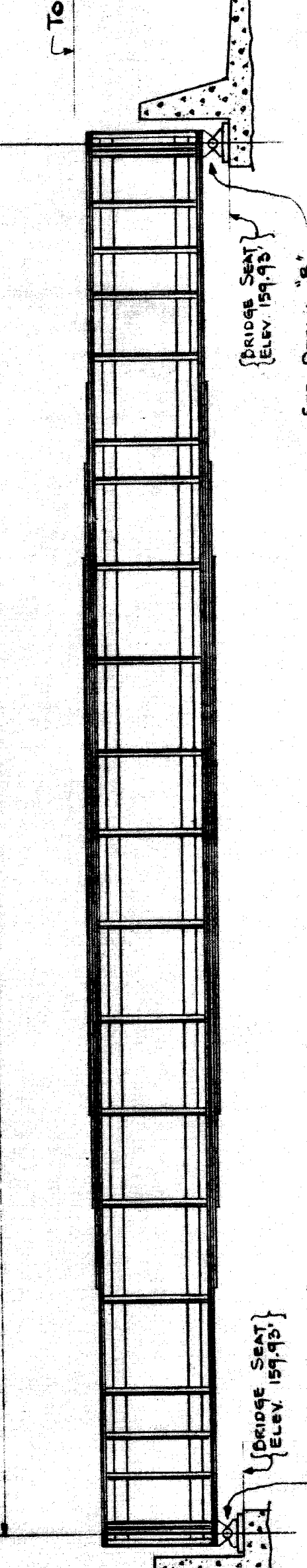
PLAN SHOWING GIRDERS, FLOOR BEAMS, END BEAMS, CHANNEL STRINGERS & SIDEWALK BRACKETS. ALL FLOOR BEAMS 18" W. @ 55. #



FIXED END DETAIL 'A'



EXPANSION END DETAIL 'B'



VIEW SHOWING TYPICAL GIRDER

FILED