

NORTH-EAST WINGWALL REF. LINE

20" JOINT WATERPROOFING
CONNECT NEW 8" PERFOR. CORRUG. MTL PIPE TO EXIST.

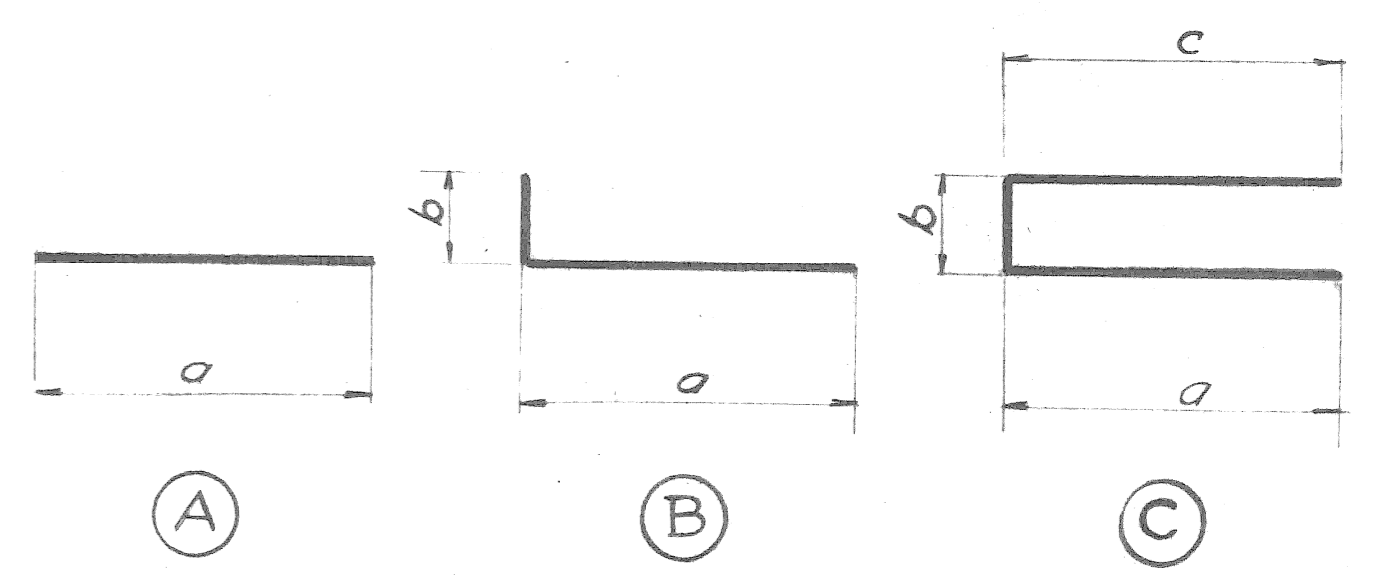
RAILING ANCHOR BOLTS SETTING LINE

RAILING POST

PLUG

ALCOA 33-1175 OR APPROVED EQUAL ANCHOR BOLTS

N.E. WINGWALL REF. LINE



TOP PLAN
SCALE: 1/4" = 1'-0"

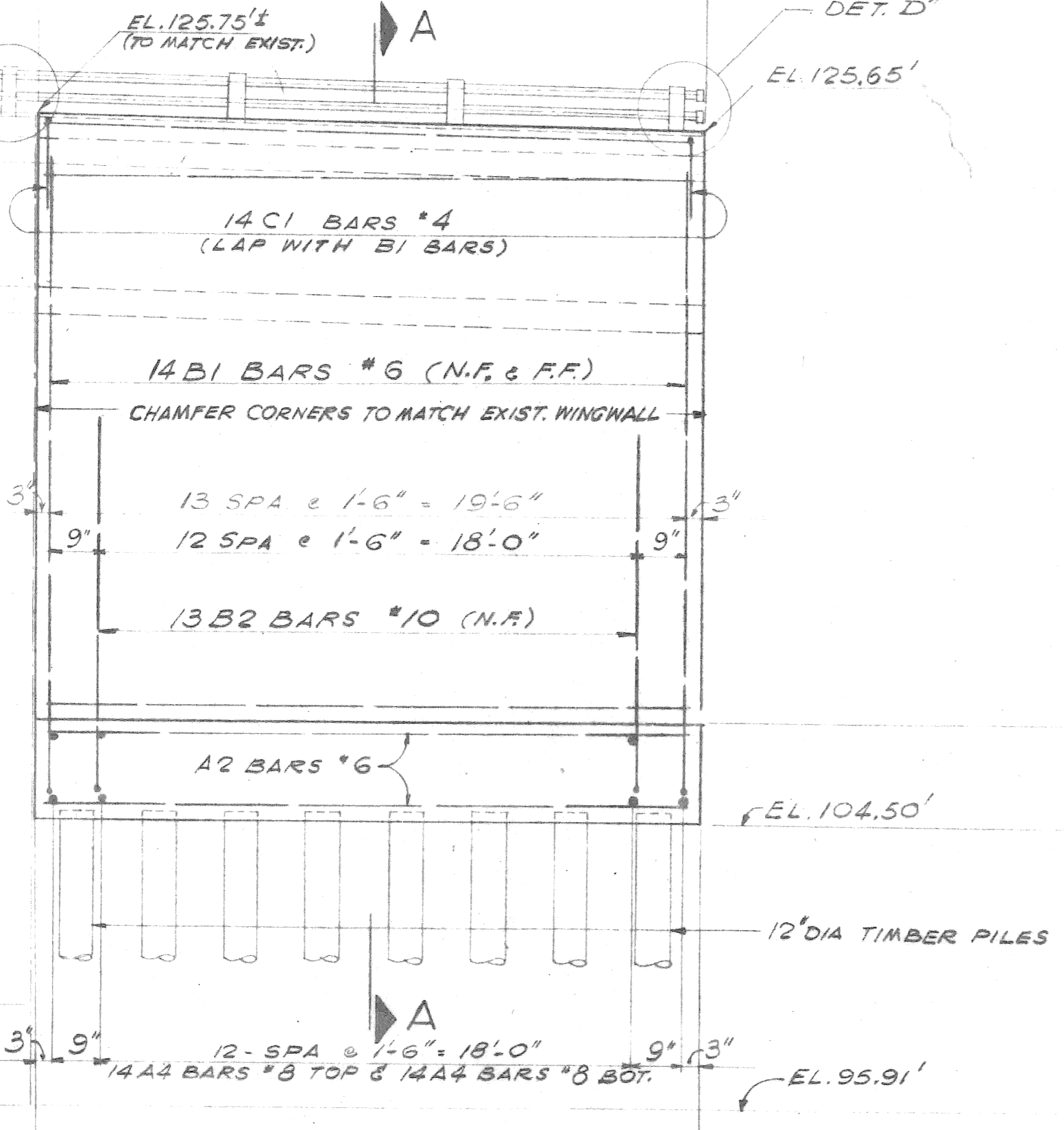
DETAIL "A"
SCALE: 3/8" = 1'-0"

DETAIL "B"
SCALE: 1/2" = 1'-0"

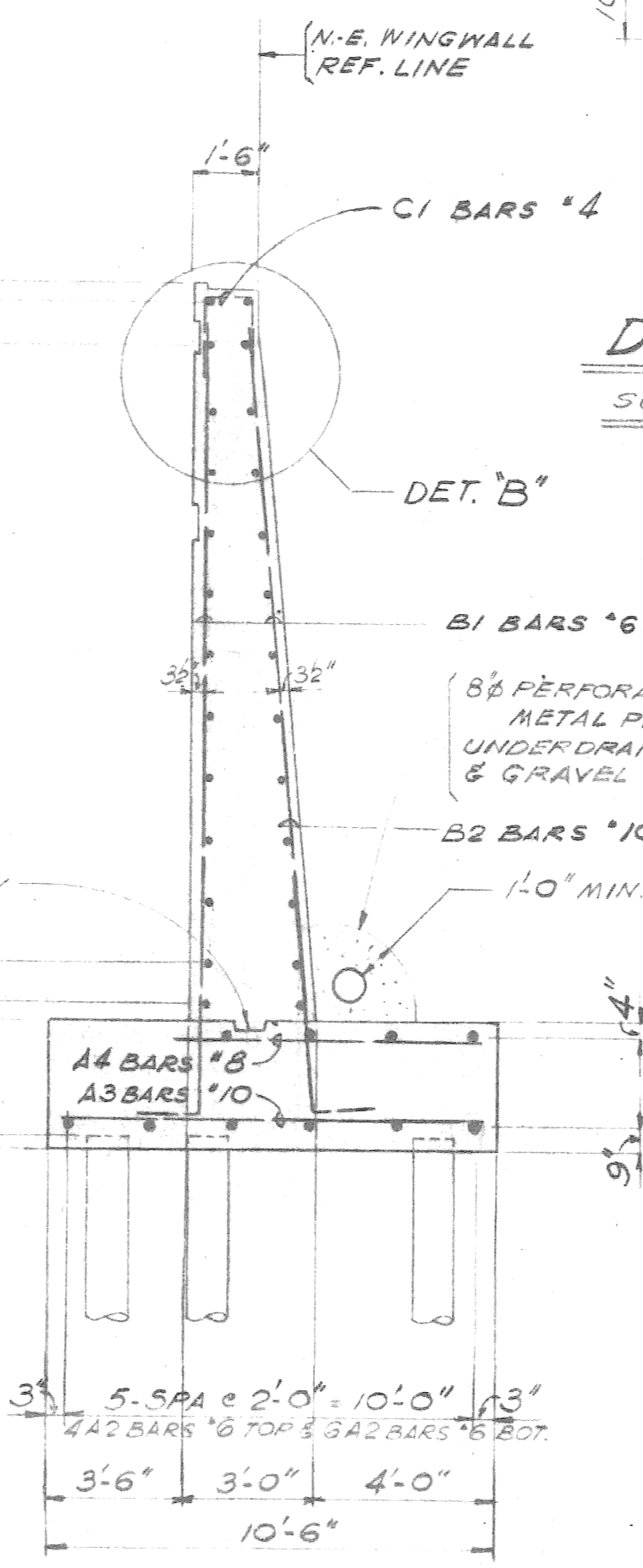
BAR	DIMENSIONS				LENGTH	NO REQD	TOTAL WEIGHT	
	a	b	c	d				
A1	19'-7"				#4	19'-7"	26	340'
A2	19'-7"				#6	19'-7"	10	294'
A3	10'-0"				#10	10'-0"	14	606'
A4	7'-6"				#8	7'-6"	14	280'
B1	19'-9"	1'-6"			#6	21'-3"	28	890'
B2	10'-6"	1'-6"			#10	12'-0"	13	670'
C1	1'-6"	1 1/2"	1'-6"		#4	4'-0"	14	370'

TOTAL WEIGHT OF REINF. STEEL ~ 3,500'

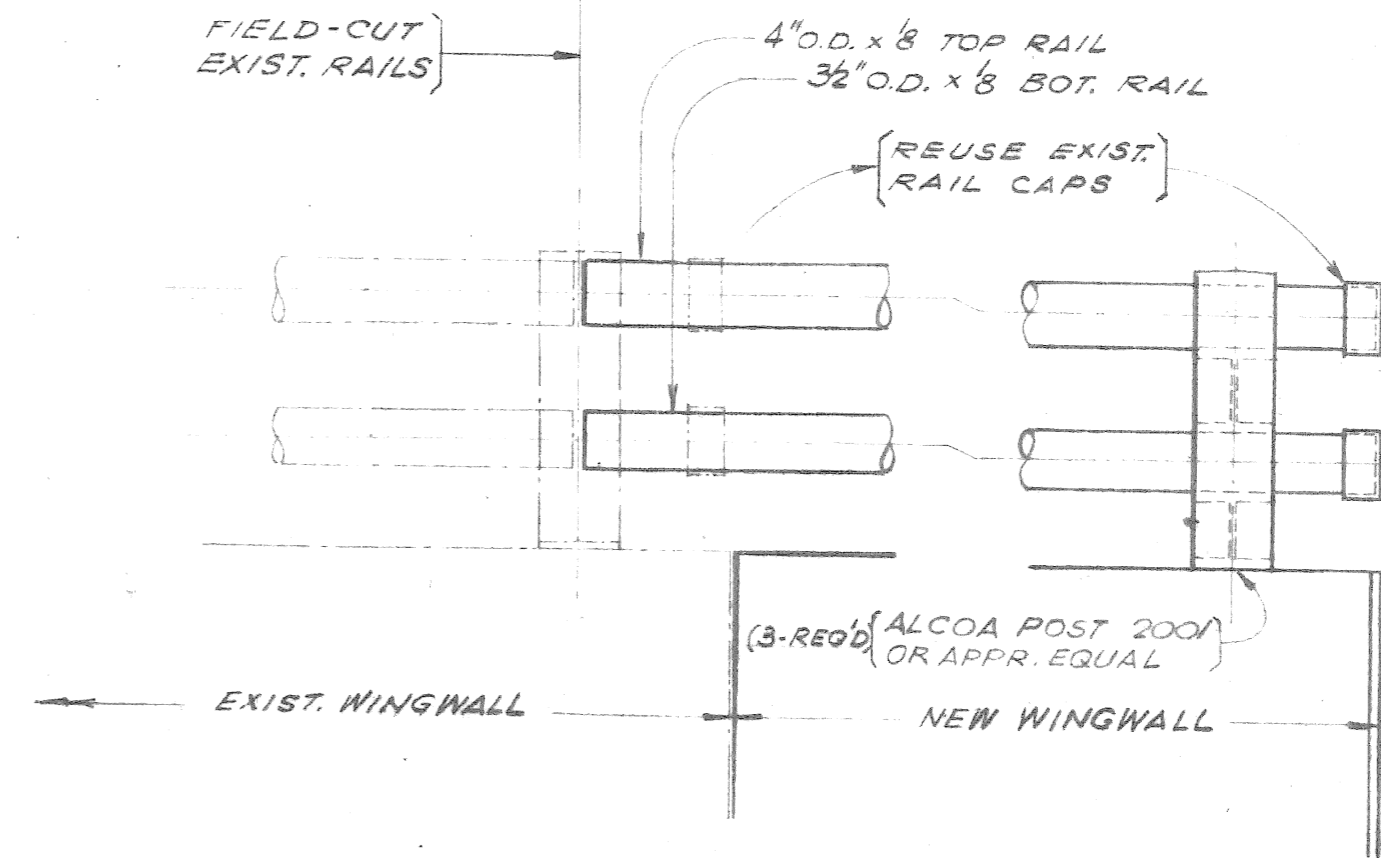
MISCELLANEOUS QUANTITIES		
ITEM	QUANT.	UNIT
EXCAVATION	340	C. YDS
SAND & GRAVEL	290	C. YDS
CONCRETE	53	C. YDS
TIMBER PILES - 12" DIA	1400	L. FT
DAMP-PROOFING	410	SQ. FT
JOINT WATERPROOFING - 20"W.	24	L. FT
8" CORR. METAL PIPE	21	L. FT
2-TUBE ALUM. RAILING	21	L. FT



ELEVATION

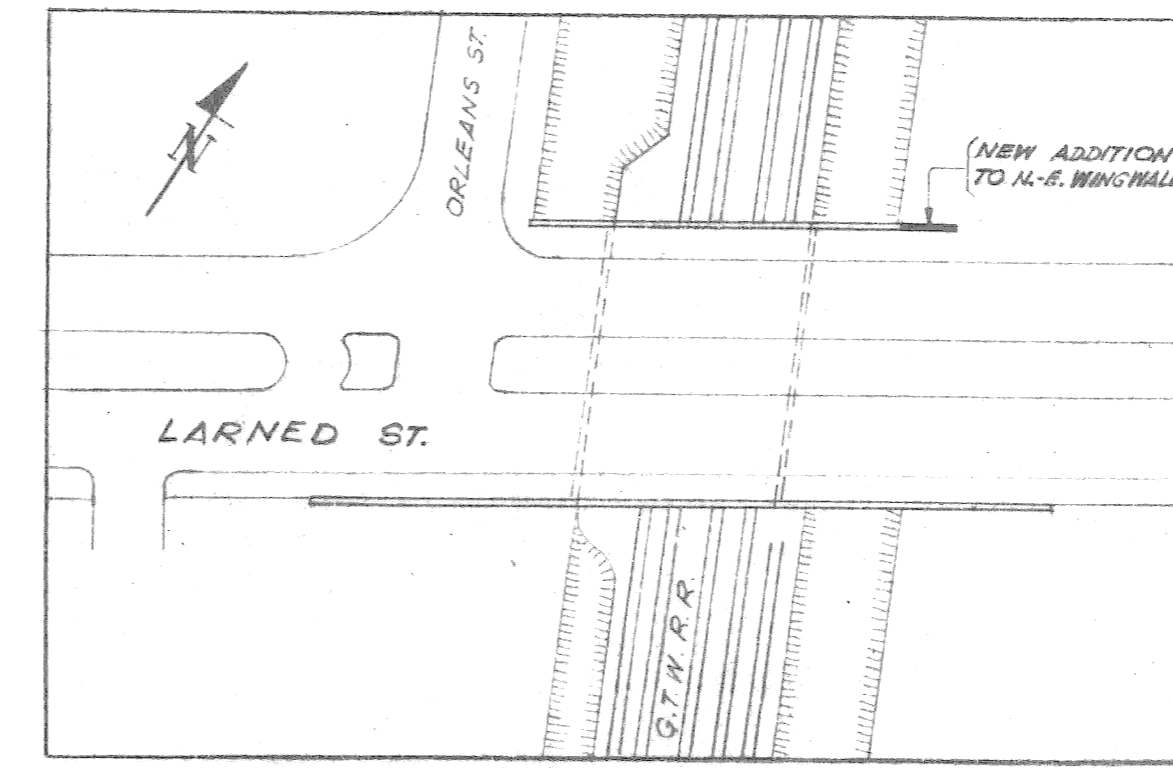


SECTION A-A
SCALE: 1/4" = 1'-0"



DETAIL "C"
SCALE: 1" = 1'-0"

DETAIL "D"
SCALE: 1" = 1'-0"



SITE PLAN
SCALE: 1" = 80'

GENERAL NOTES:

- DAMP-PROOF REAR FACE OF WINGWALL ABOVE FOOTING TO 2'-0" BELOW TOP OF STEM.
- ANCHOR BOLTS TO BE SET ACCURATELY TO TEMPLATE
- REINF. STEEL SHALL CONFORM TO REQUIREMENTS OF A.C.I. MANUAL OF STD PRACTICE FOR DETAILING REINF. CONCRETE STRUCTURES - LATEST EDITION.

FOOTING PLAN
SCALE: 1/4" = 1'-0"

DESIGNED BY	W. K. Lenn	APPROVED:	
DRAWN BY	M. B.	STRUCT. ENGR	
TRACED BY		ASS'T CITY ENGR	
CHECKED BY	H. Bierig	CITY ENGINEER	

CITY OF DETROIT
DEPARTMENT OF PUBLIC WORKS
CITY ENGINEERS OFFICE
FOR
DETROIT HOUSING COMMISSION

LARNED ST. BRIDGE
NORTH-EAST WINGWALL EXTENSION

WINGWALL DETAILS

SHEET	OF	SHEETS
CONTRACT	No.	
DRWG No.		
DATE		