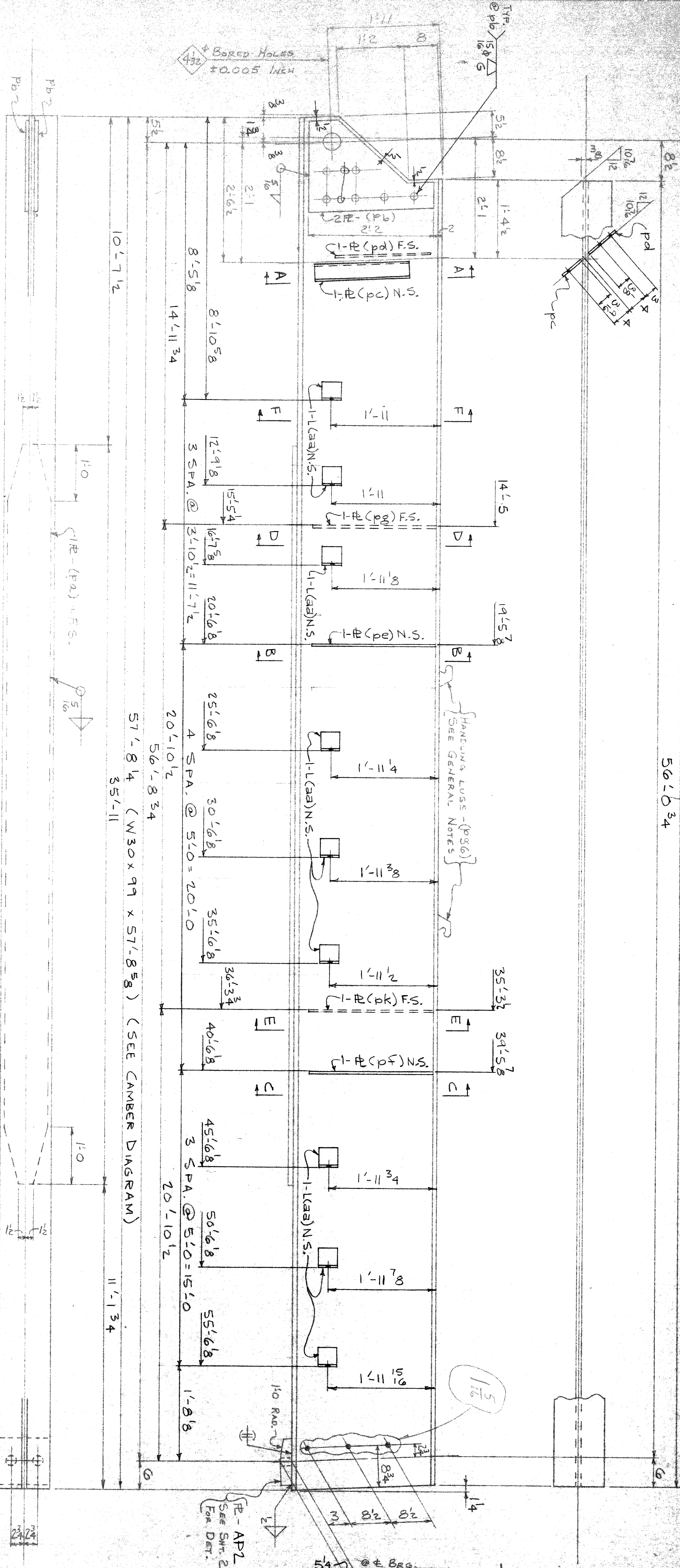
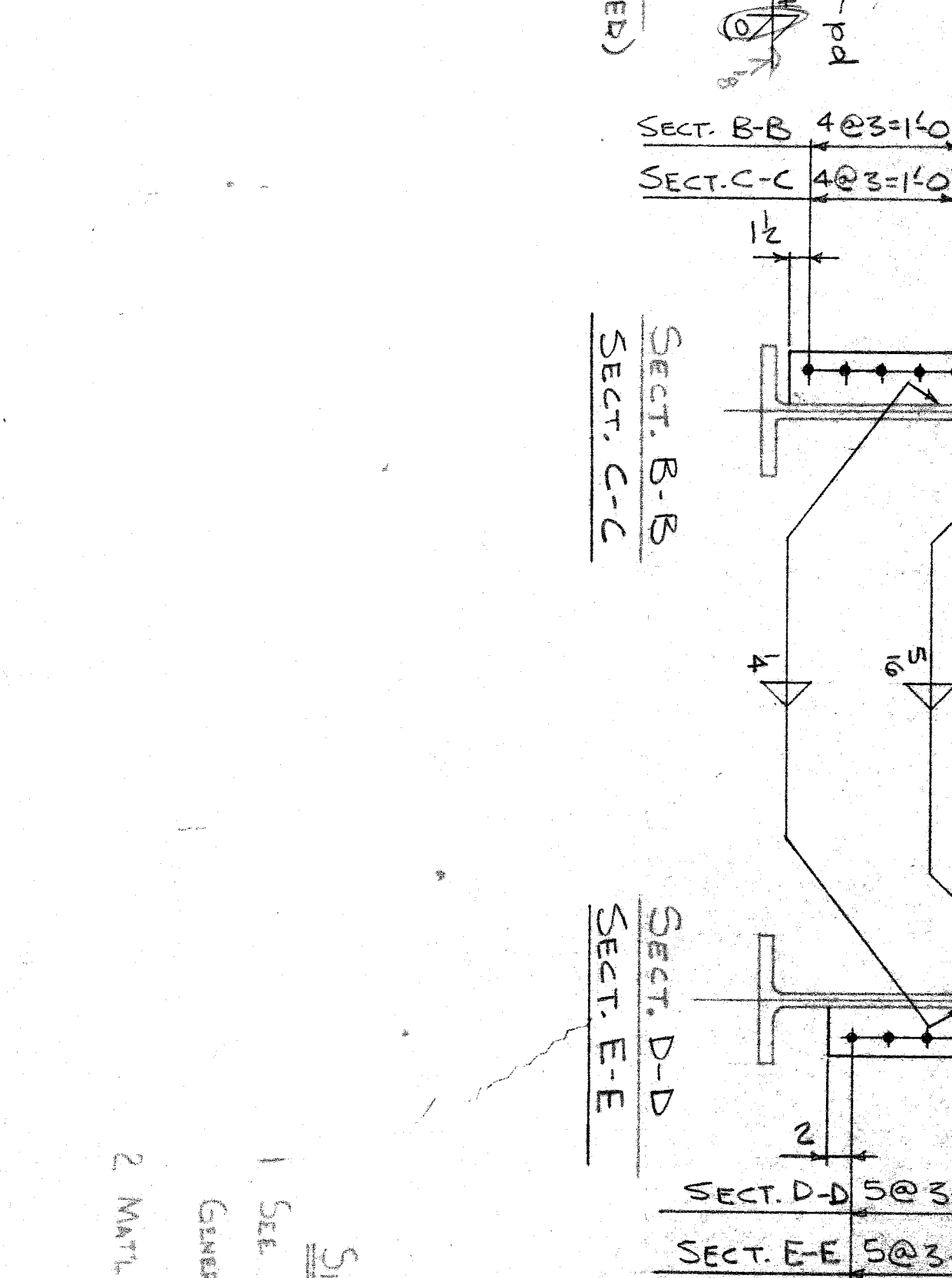
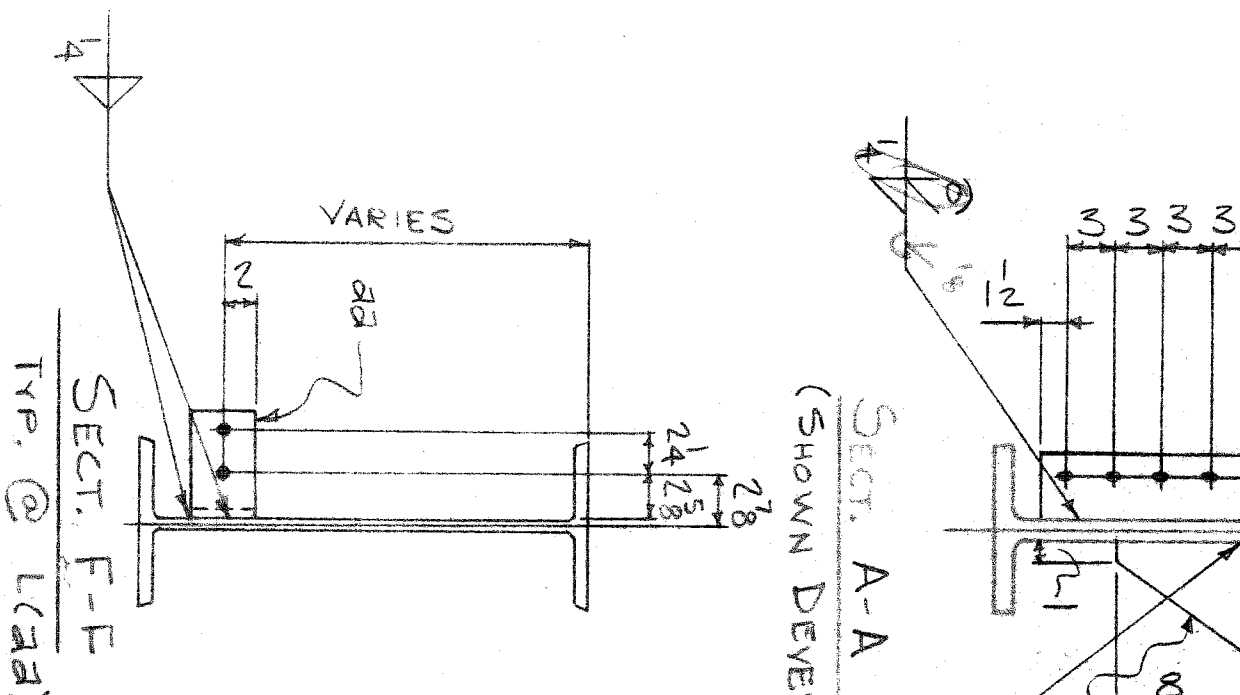
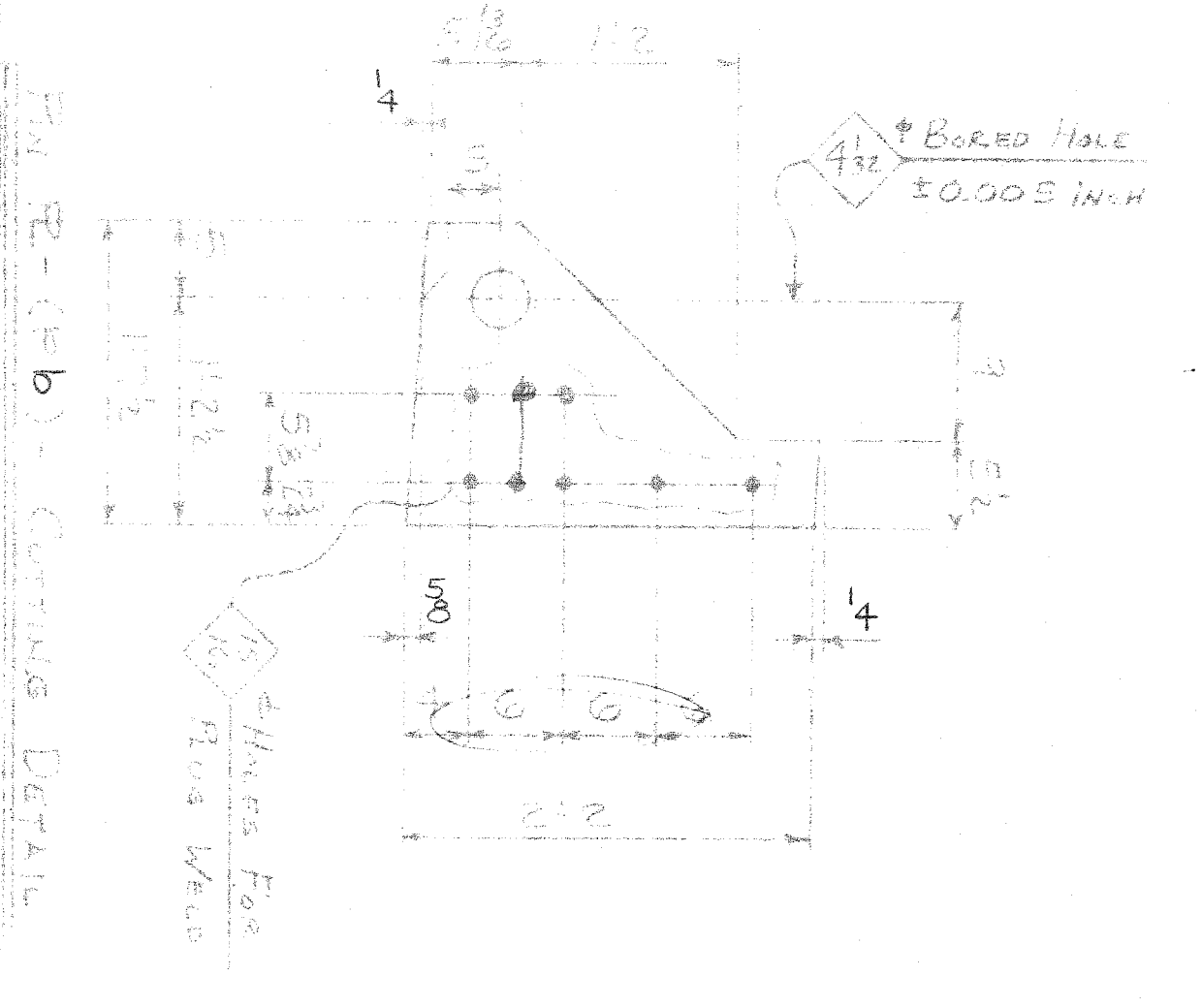
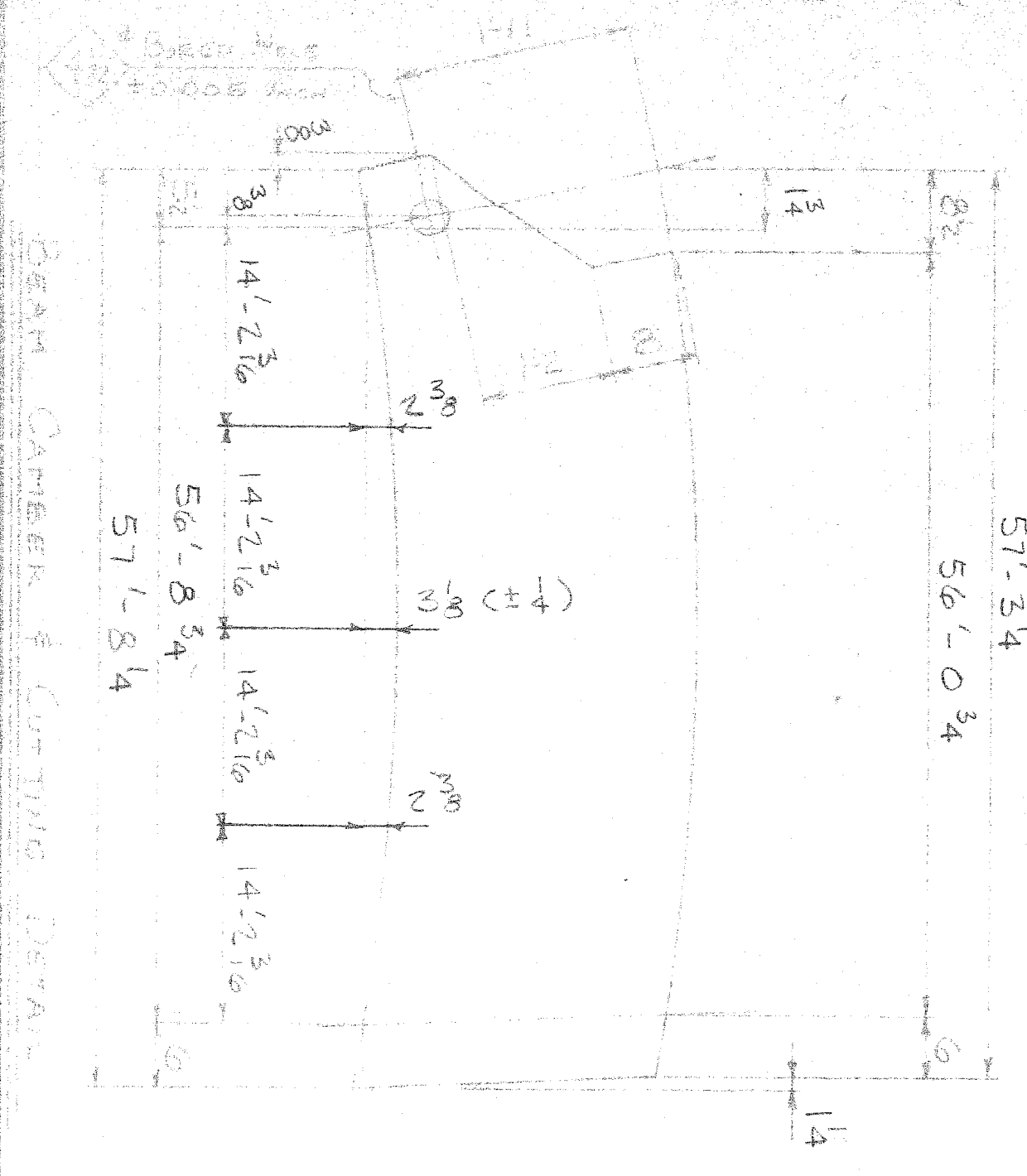




57'-3 1/4  
56'-0 3/4



ONE-STRINGER - A48  
LINE G SPAN 4



NO.	DESCRIPTION	QUANTITY	UNIT	PRICE	TOTAL
1	1 W 30 x 99	571.83	EA		
2	1 PC 12 x 12	2.24	PC		
3	1 PC 12 x 12	1.8	PC		
4	1 PC 12 x 12	1.8	PC		
5	1 PC 12 x 12	2.24	PC		
6	1 PC 12 x 12	1.17	PC		
7	1 PC 12 x 12	1.17	PC		
8	1 PC 12 x 12	1.17	PC		
9	1 PC 12 x 12	1.17	PC		
10	1 PC 12 x 12	1.17	PC		
11	1 PC 12 x 12	1.17	PC		
12	1 PC 12 x 12	1.17	PC		
13	1 PC 12 x 12	1.17	PC		
14	1 PC 12 x 12	1.17	PC		
15	1 PC 12 x 12	1.17	PC		
16	1 PC 12 x 12	1.17	PC		
17	1 PC 12 x 12	1.17	PC		
18	1 PC 12 x 12	1.17	PC		
19	1 PC 12 x 12	1.17	PC		
20	1 PC 12 x 12	1.17	PC		
21	1 PC 12 x 12	1.17	PC		
22	1 PC 12 x 12	1.17	PC		
23	1 PC 12 x 12	1.17	PC		
24	1 PC 12 x 12	1.17	PC		
25	1 PC 12 x 12	1.17	PC		
26	1 PC 12 x 12	1.17	PC		
27	1 PC 12 x 12	1.17	PC		
28	1 PC 12 x 12	1.17	PC		
29	1 PC 12 x 12	1.17	PC		
30	1 PC 12 x 12	1.17	PC		
31	1 PC 12 x 12	1.17	PC		
32	1 PC 12 x 12	1.17	PC		
33	1 PC 12 x 12	1.17	PC		
34	1 PC 12 x 12	1.17	PC		
35	1 PC 12 x 12	1.17	PC		
36	1 PC 12 x 12	1.17	PC		
37	1 PC 12 x 12	1.17	PC		
38	1 PC 12 x 12	1.17	PC		
39	1 PC 12 x 12	1.17	PC		
40	1 PC 12 x 12	1.17	PC		
41	1 PC 12 x 12	1.17	PC		
42	1 PC 12 x 12	1.17	PC		
43	1 PC 12 x 12	1.17	PC		
44	1 PC 12 x 12	1.17	PC		
45	1 PC 12 x 12	1.17	PC		
46	1 PC 12 x 12	1.17	PC		
47	1 PC 12 x 12	1.17	PC		
48	1 PC 12 x 12	1.17	PC		
49	1 PC 12 x 12	1.17	PC		
50	1 PC 12 x 12	1.17	PC		
51	1 PC 12 x 12	1.17	PC		
52	1 PC 12 x 12	1.17	PC		
53	1 PC 12 x 12	1.17	PC		
54	1 PC 12 x 12	1.17	PC		
55	1 PC 12 x 12	1.17	PC		
56	1 PC 12 x 12	1.17	PC		
57	1 PC 12 x 12	1.17	PC		

CITY OF DETROIT  
CIVIL ENGINEERING DEPARTMENT  
**APPROVED AS NOTED**  
FOR COMPLIANCE WITH CONTRACT NO. 145521  
DATE: MAR 2 1977

PHILIP ZWEIF & SONS

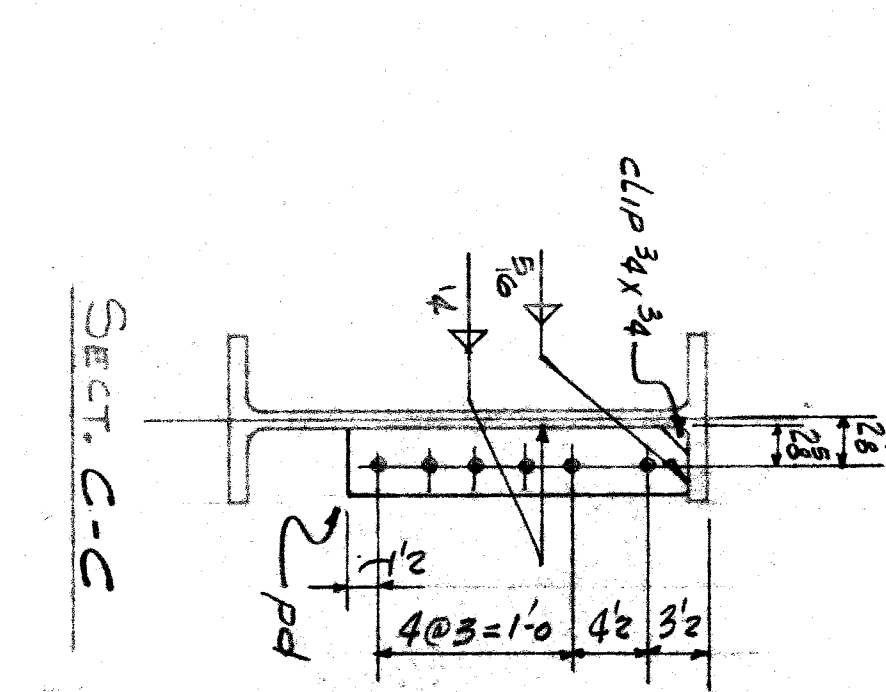
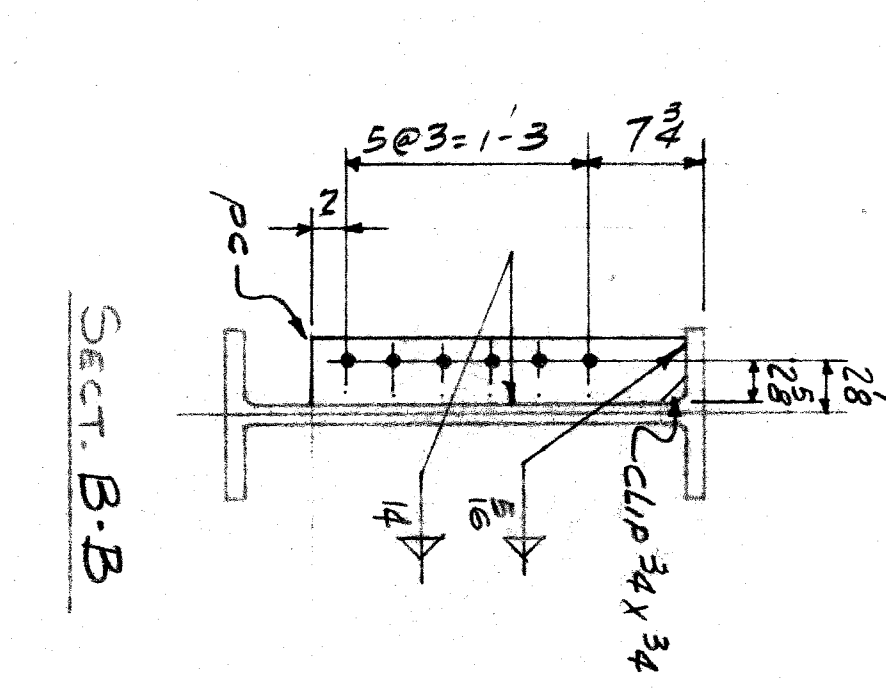
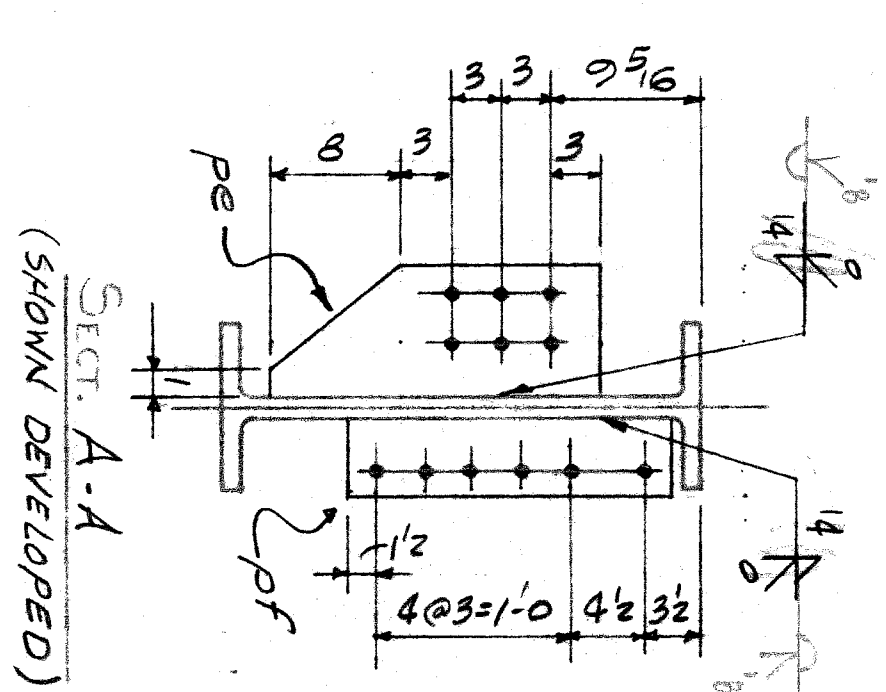
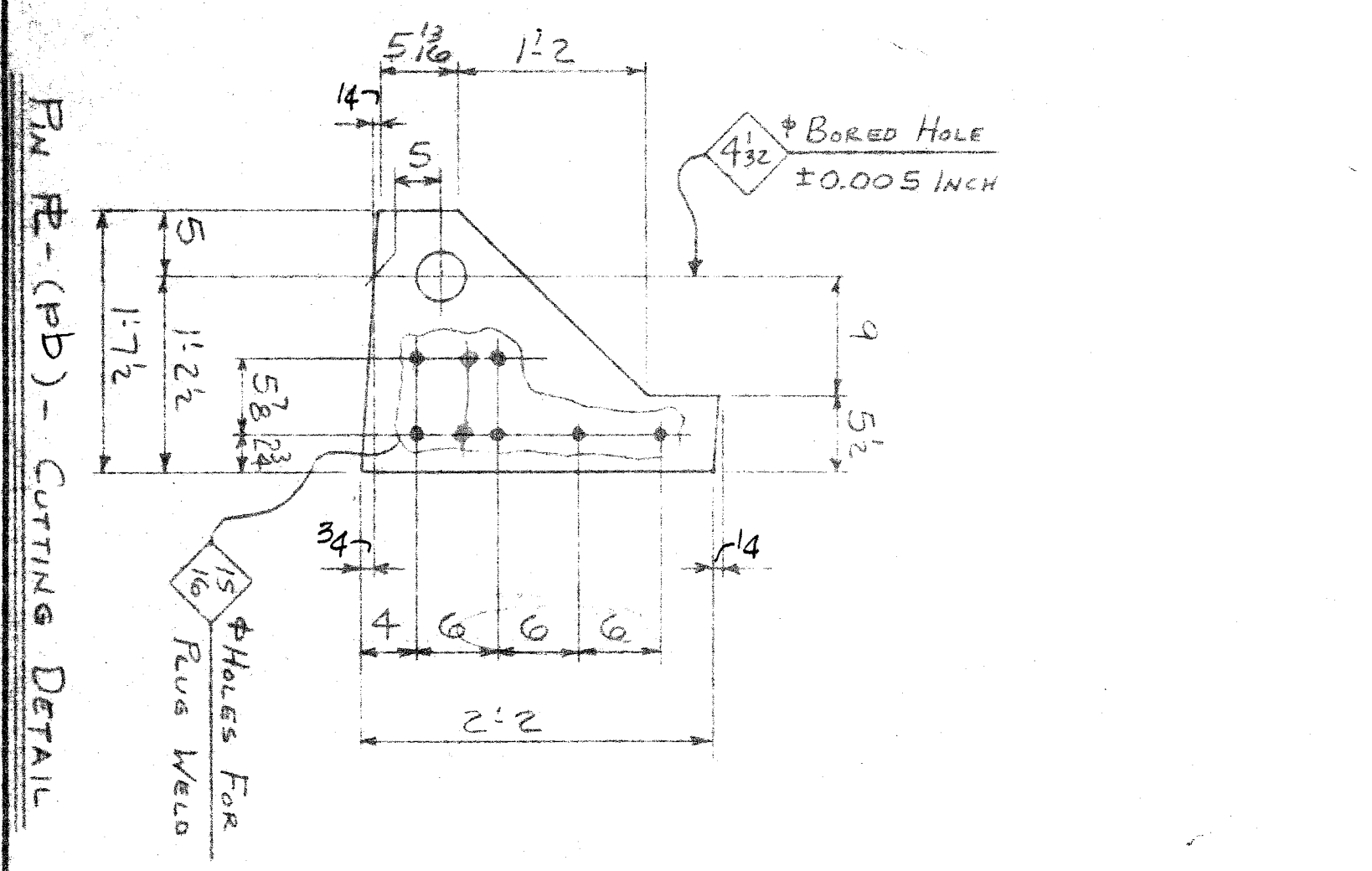
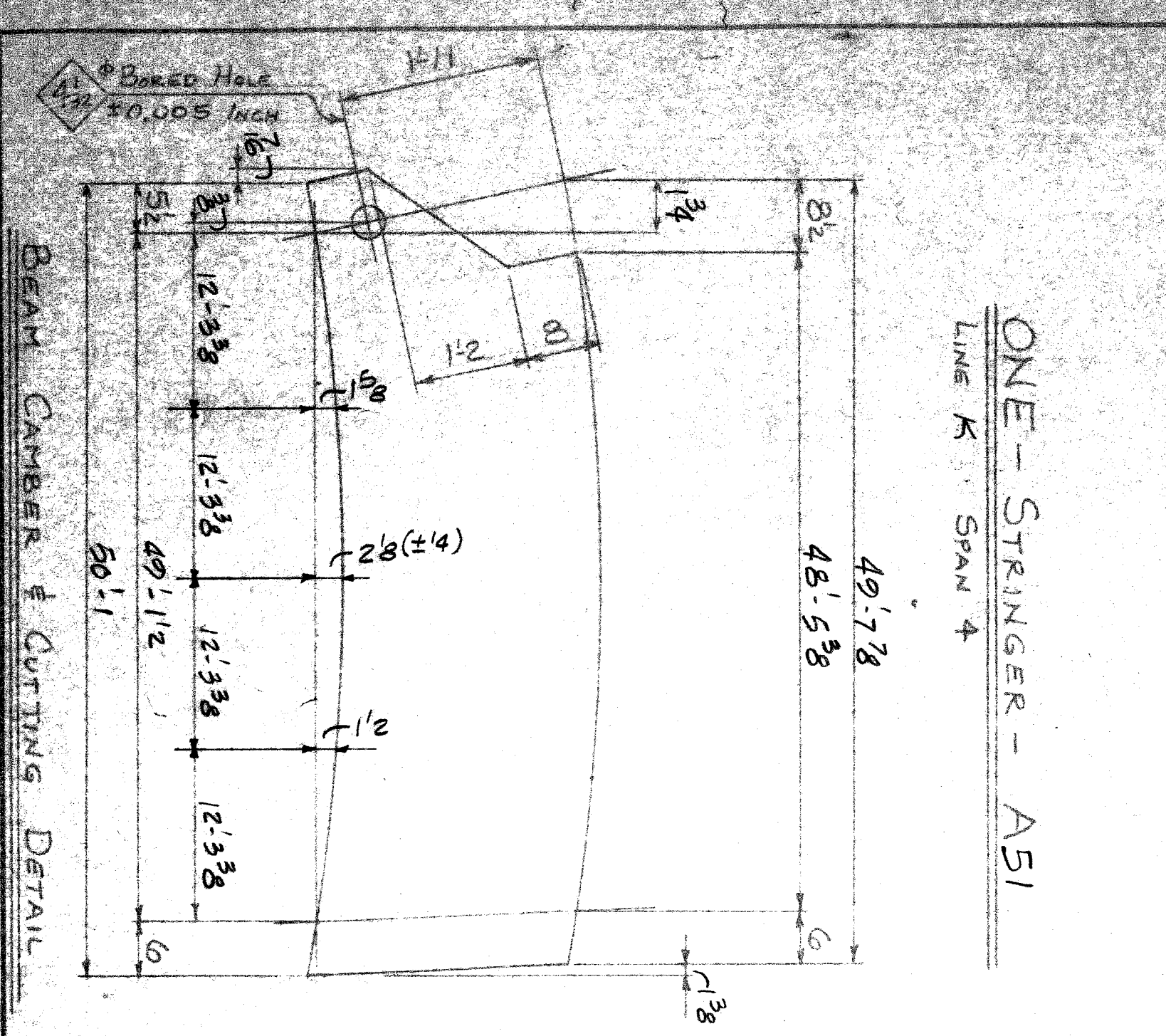
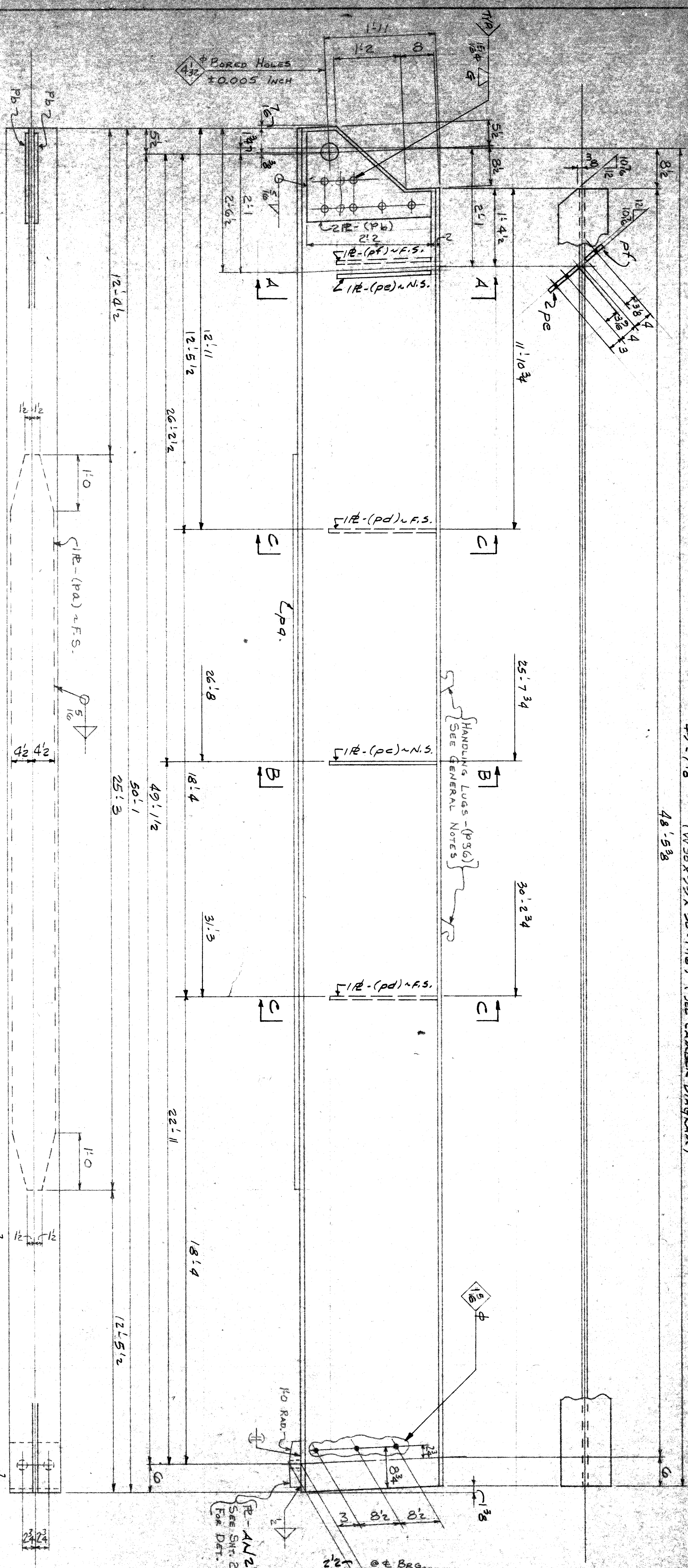
2100E 5TH AVE  
BUILDING DESIGN & ARCHITECTURE  
OWNER: CITY OF DETROIT  
CONTRACTOR: PHILIP ZWEIF & SONS  
DATE: 2-1-77  
SHEET 4B OF 53

SHOP NOTES  
1 SEE SHEET E4 FOR GENERAL NOTES.  
2 MAT'L: A588 U.N.



49'-7 7/8 (W30X99 X 50:176) (SEE CAMBER DIAGRAM)

48'-5 3/8



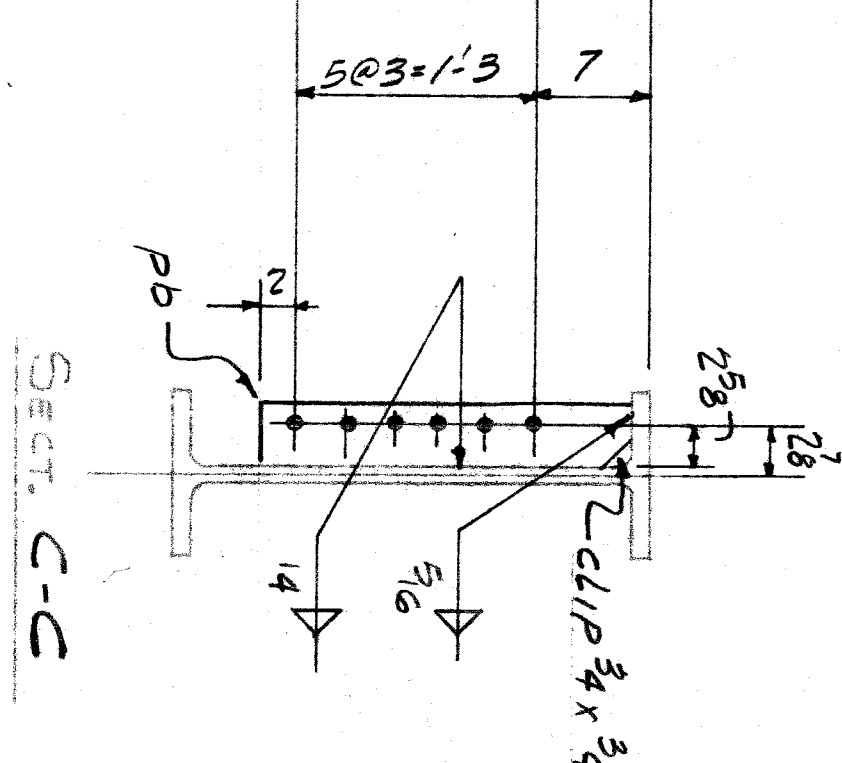
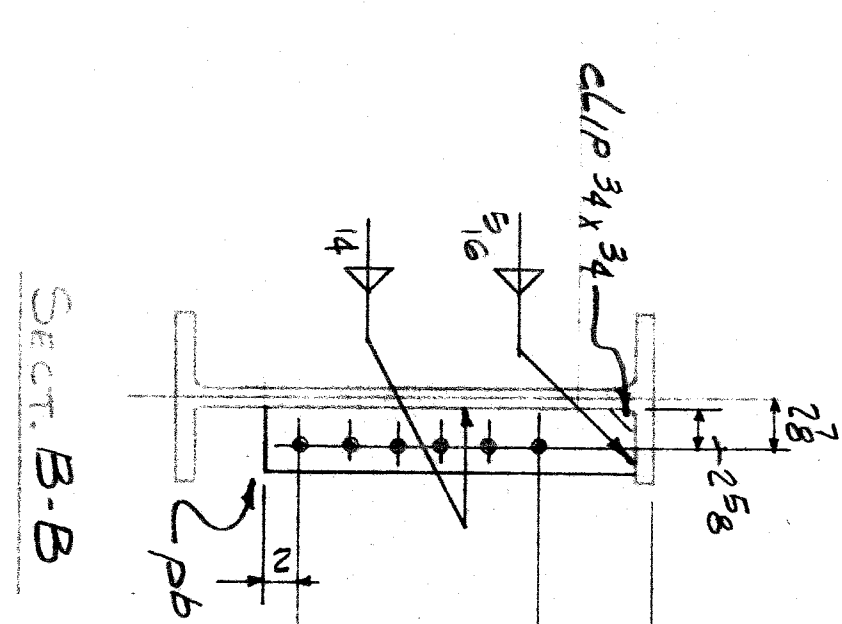
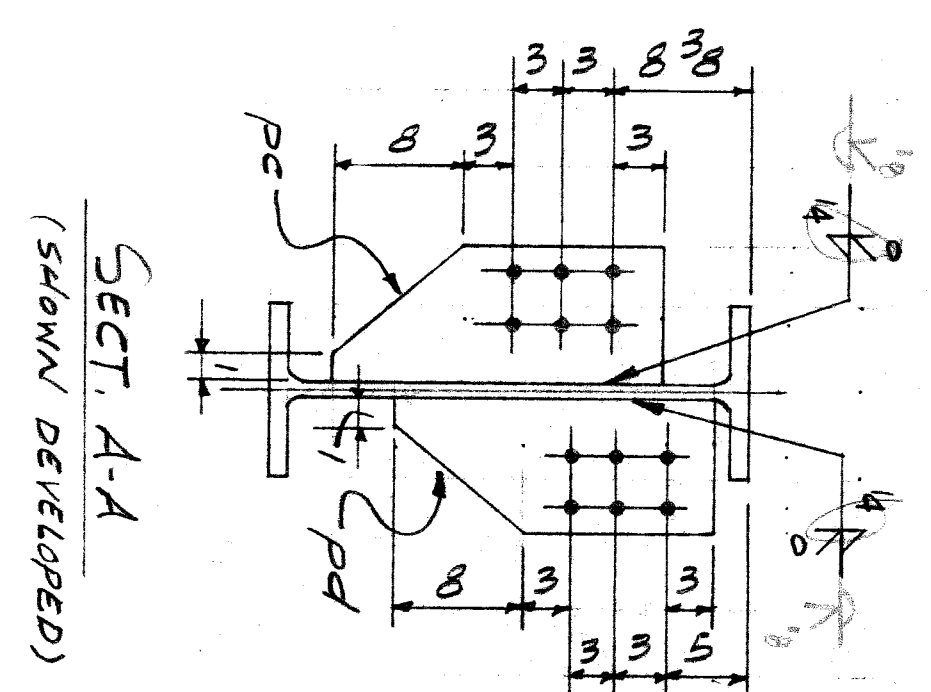
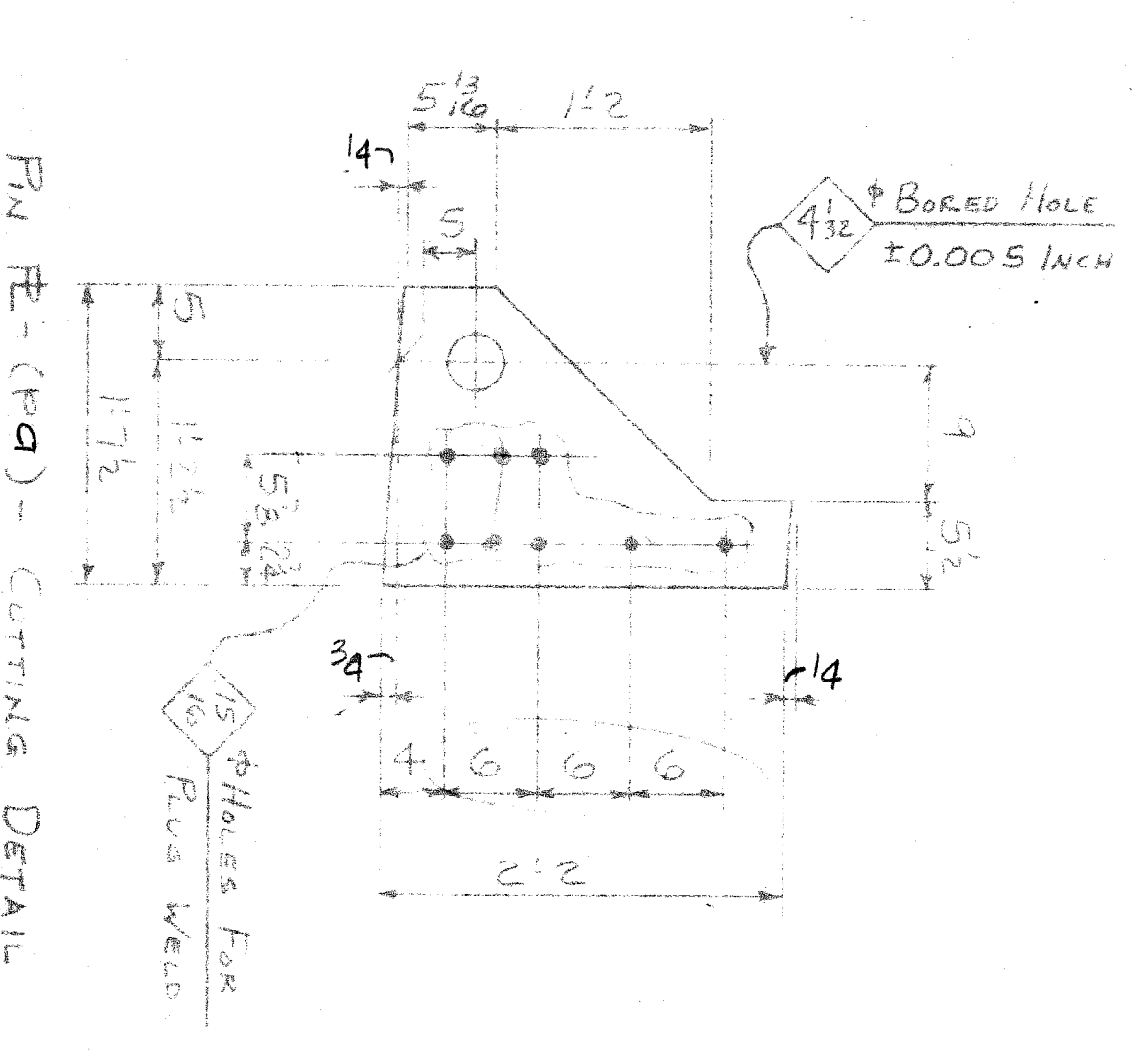
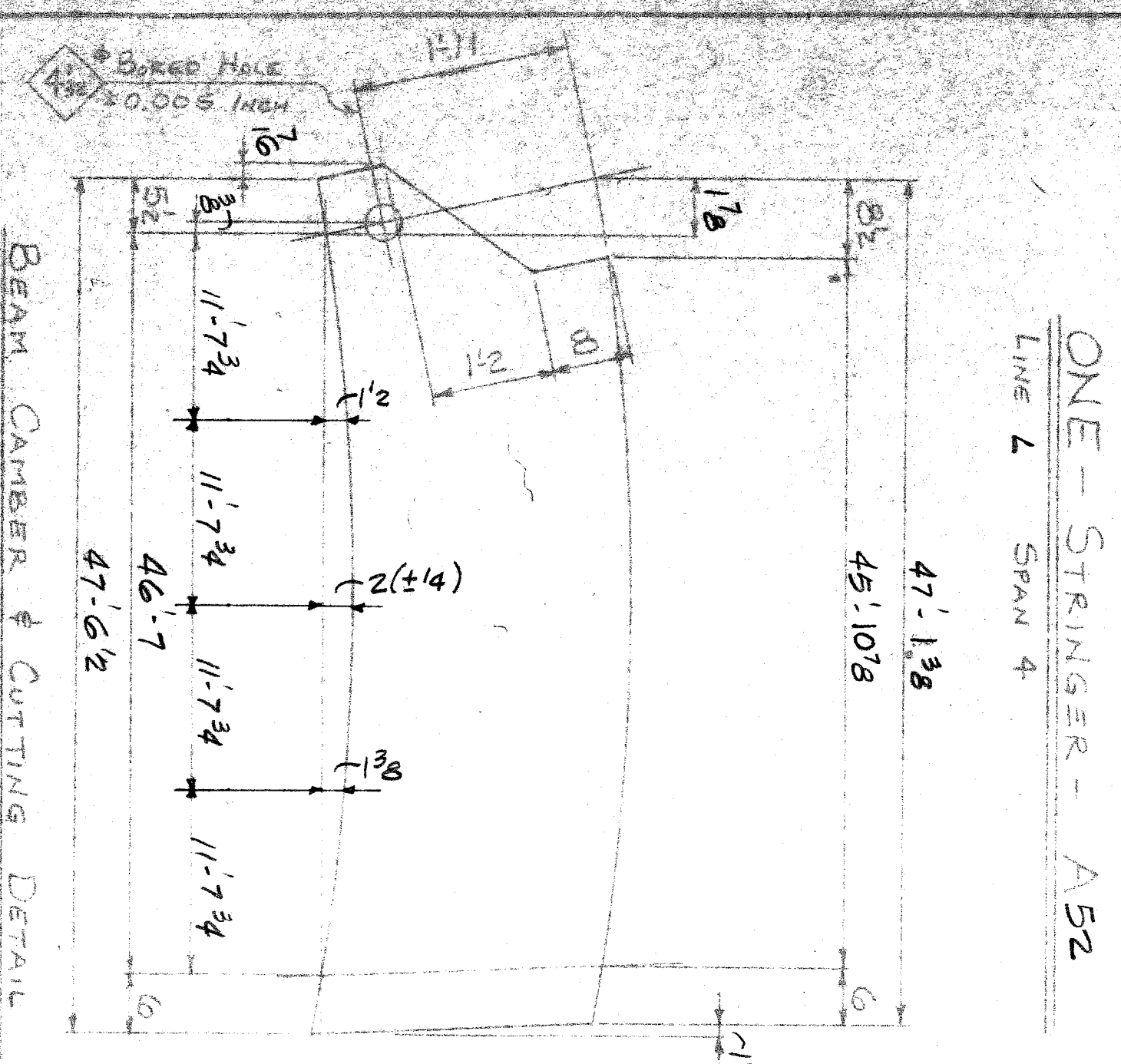
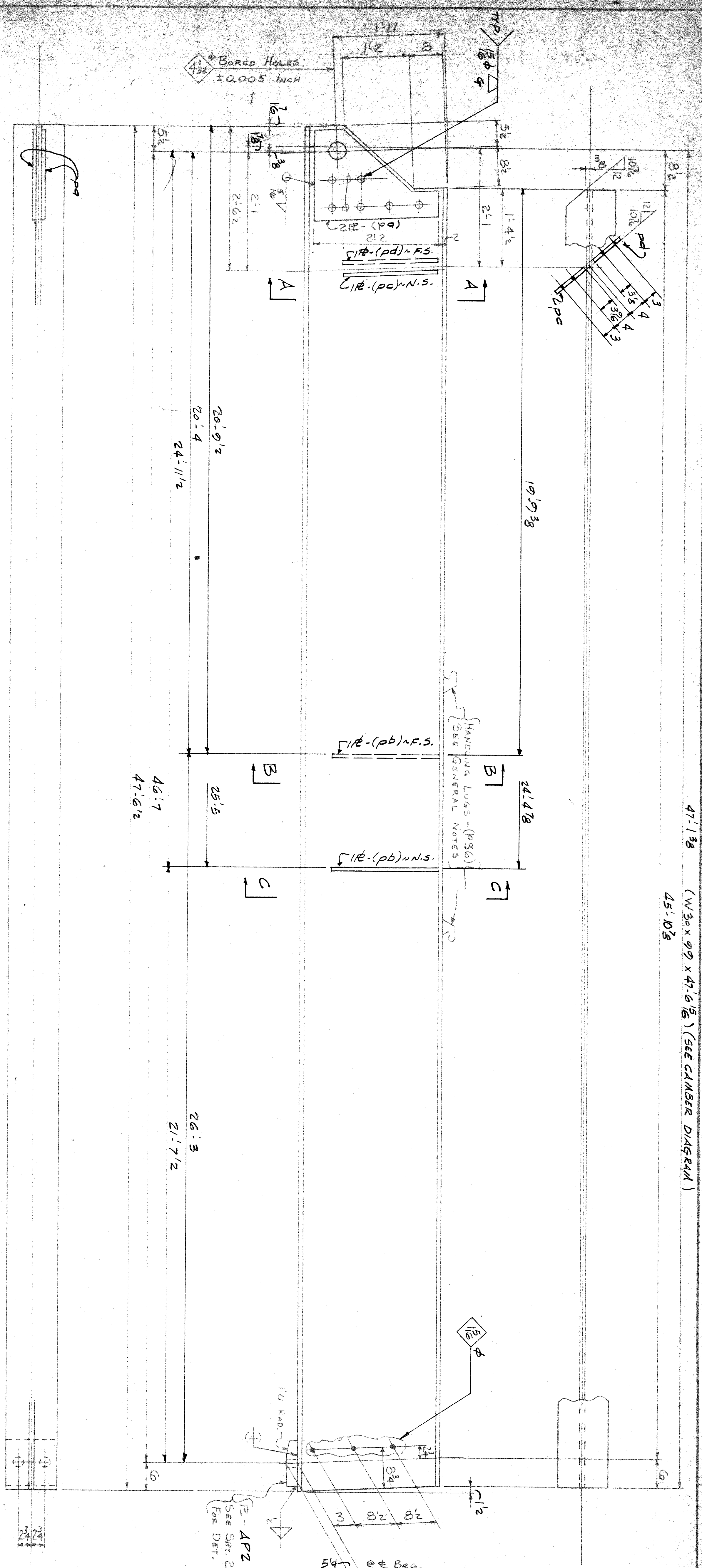
SHOP NOTES  
1 SEE SHEET E4 FOR GENERAL NOTES.  
2 MAT'L: A588 U.N.

LINE NO.	DESCRIPTION	MATERIAL	LENGTH	WEIGHT	REMARKS	DATE
1	STRINGER	A51	50'-1 1/8			1/4
2	1/2" x 30" x 99"	Pa	85		CVN	1/29
3	1/2" x 12" x 4"	Pb	2'-2 1/4		CVN	1/30
4	1/2" x 12" x 4"	Pc	2'-0 1/8			2/6
5	1/2" x 12" x 4"	Pd	1'-8			2/6
6	1/2" x 12" x 4"	Pf	1'-7 1/2			2/11
7	1/2" x 12" x 4"	Pg	0'-6 1/8			2/17
8	1/2" x 12" x 4"	See SHT 2 FOR DET.				
9	1/2" x 12" x 4"	See SHT 2 FOR DET.				
10	1/2" x 12" x 4"	See SHT 2 FOR DET.				
11	1/2" x 12" x 4"	See SHT 2 FOR DET.				
12	1/2" x 12" x 4"	See SHT 2 FOR DET.				
13	1/2" x 12" x 4"	See SHT 2 FOR DET.				
14	1/2" x 12" x 4"	See SHT 2 FOR DET.				
15	1/2" x 12" x 4"	See SHT 2 FOR DET.				
16	1/2" x 12" x 4"	See SHT 2 FOR DET.				
17	1/2" x 12" x 4"	See SHT 2 FOR DET.				
18	1/2" x 12" x 4"	See SHT 2 FOR DET.				
19	1/2" x 12" x 4"	See SHT 2 FOR DET.				
20	1/2" x 12" x 4"	See SHT 2 FOR DET.				
21	1/2" x 12" x 4"	See SHT 2 FOR DET.				
22	1/2" x 12" x 4"	See SHT 2 FOR DET.				
23	1/2" x 12" x 4"	See SHT 2 FOR DET.				
24	1/2" x 12" x 4"	See SHT 2 FOR DET.				
25	1/2" x 12" x 4"	See SHT 2 FOR DET.				
26	1/2" x 12" x 4"	See SHT 2 FOR DET.				
27	1/2" x 12" x 4"	See SHT 2 FOR DET.				
28	1/2" x 12" x 4"	See SHT 2 FOR DET.				
29	1/2" x 12" x 4"	See SHT 2 FOR DET.				
30	1/2" x 12" x 4"	See SHT 2 FOR DET.				
31	1/2" x 12" x 4"	See SHT 2 FOR DET.				
32	1/2" x 12" x 4"	See SHT 2 FOR DET.				
33	1/2" x 12" x 4"	See SHT 2 FOR DET.				
34	1/2" x 12" x 4"	See SHT 2 FOR DET.				
35	1/2" x 12" x 4"	See SHT 2 FOR DET.				
36	1/2" x 12" x 4"	See SHT 2 FOR DET.				
37	1/2" x 12" x 4"	See SHT 2 FOR DET.				
38	1/2" x 12" x 4"	See SHT 2 FOR DET.				
39	1/2" x 12" x 4"	See SHT 2 FOR DET.				
40	1/2" x 12" x 4"	See SHT 2 FOR DET.				
41	1/2" x 12" x 4"	See SHT 2 FOR DET.				
42	1/2" x 12" x 4"	See SHT 2 FOR DET.				
43	1/2" x 12" x 4"	See SHT 2 FOR DET.				
44	1/2" x 12" x 4"	See SHT 2 FOR DET.				
45	1/2" x 12" x 4"	See SHT 2 FOR DET.				
46	1/2" x 12" x 4"	See SHT 2 FOR DET.				
47	1/2" x 12" x 4"	See SHT 2 FOR DET.				
48	1/2" x 12" x 4"	See SHT 2 FOR DET.				
49	1/2" x 12" x 4"	See SHT 2 FOR DET.				
50	1/2" x 12" x 4"	See SHT 2 FOR DET.				
51	1/2" x 12" x 4"	See SHT 2 FOR DET.				
52	1/2" x 12" x 4"	See SHT 2 FOR DET.				
53	1/2" x 12" x 4"	See SHT 2 FOR DET.				
54	1/2" x 12" x 4"	See SHT 2 FOR DET.				
55	1/2" x 12" x 4"	See SHT 2 FOR DET.				
56	1/2" x 12" x 4"	See SHT 2 FOR DET.				
57	1/2" x 12" x 4"	See SHT 2 FOR DET.				
58	1/2" x 12" x 4"	See SHT 2 FOR DET.				
59	1/2" x 12" x 4"	See SHT 2 FOR DET.				
60	1/2" x 12" x 4"	See SHT 2 FOR DET.				
61	1/2" x 12" x 4"	See SHT 2 FOR DET.				
62	1/2" x 12" x 4"	See SHT 2 FOR DET.				
63	1/2" x 12" x 4"	See SHT 2 FOR DET.				
64	1/2" x 12" x 4"	See SHT 2 FOR DET.				
65	1/2" x 12" x 4"	See SHT 2 FOR DET.				
66	1/2" x 12" x 4"	See SHT 2 FOR DET.				
67	1/2" x 12" x 4"	See SHT 2 FOR DET.				
68	1/2" x 12" x 4"	See SHT 2 FOR DET.				
69	1/2" x 12" x 4"	See SHT 2 FOR DET.				
70	1/2" x 12" x 4"	See SHT 2 FOR DET.				

CITY OF DETROIT  
ENGINEERING DEPARTMENT  
APPROVED AS NOTED

PHILIP ZWEIFG & SONS  
BUILDING DIVISION  
2000 BROADVIEW AVE. DETROIT, MICH.  
CONTRACTOR: PHILIP ZWEIFG & SONS  
DRAWN: [Signature]  
DATE: 2-1-77  
SHEET 51 OF 53

47'-1 3/8 (W 30 x 99 x 47'-6 3/8) (SEE CAMBER DIAGRAM)  
 45'-10 3/8



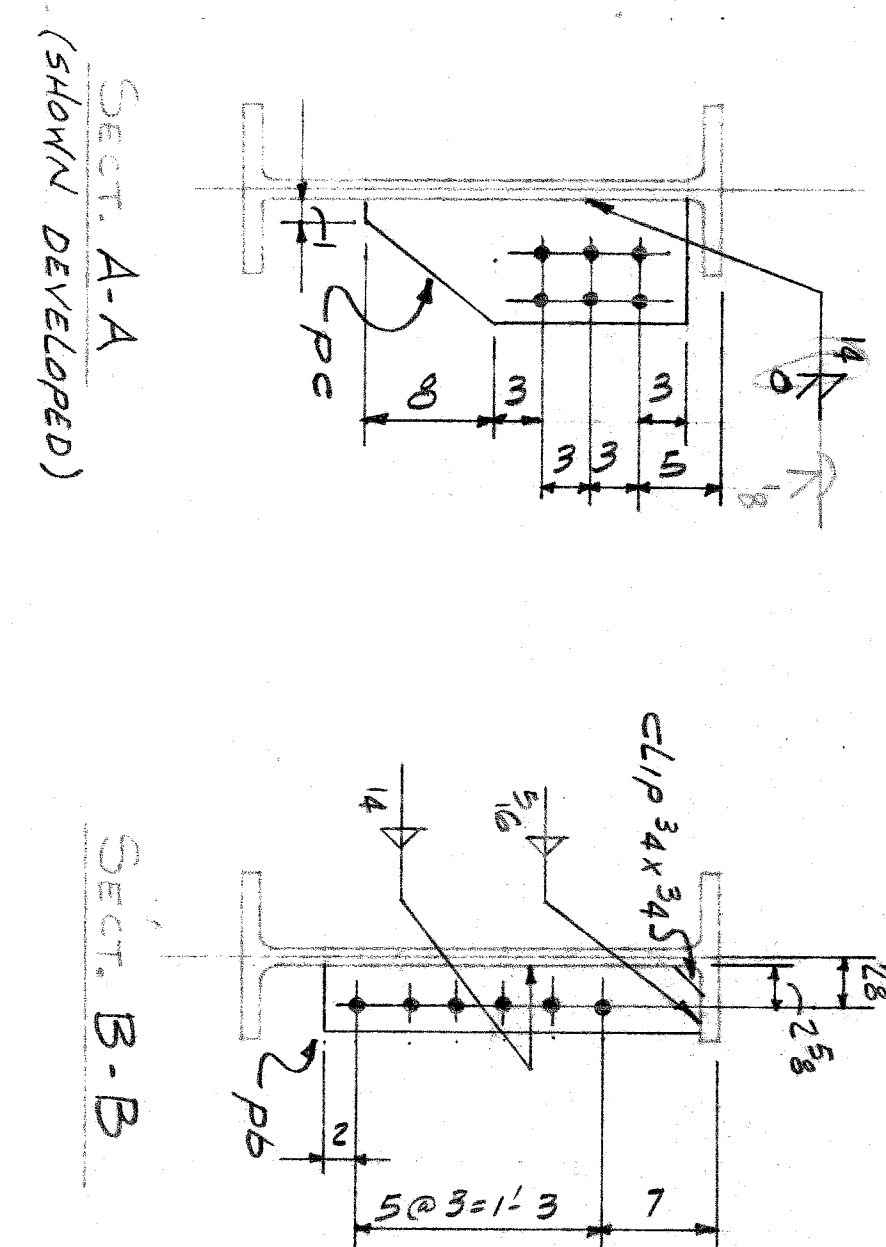
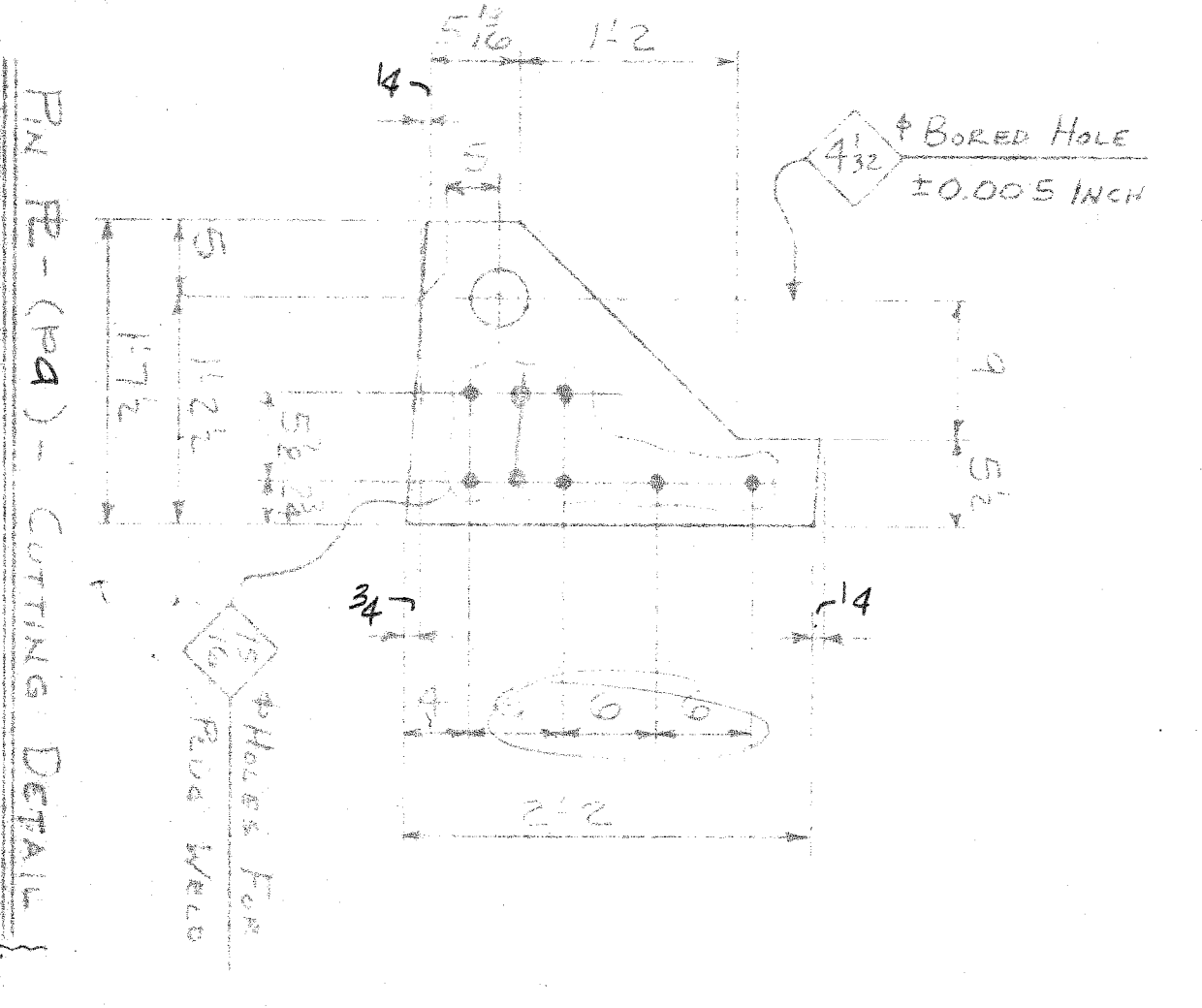
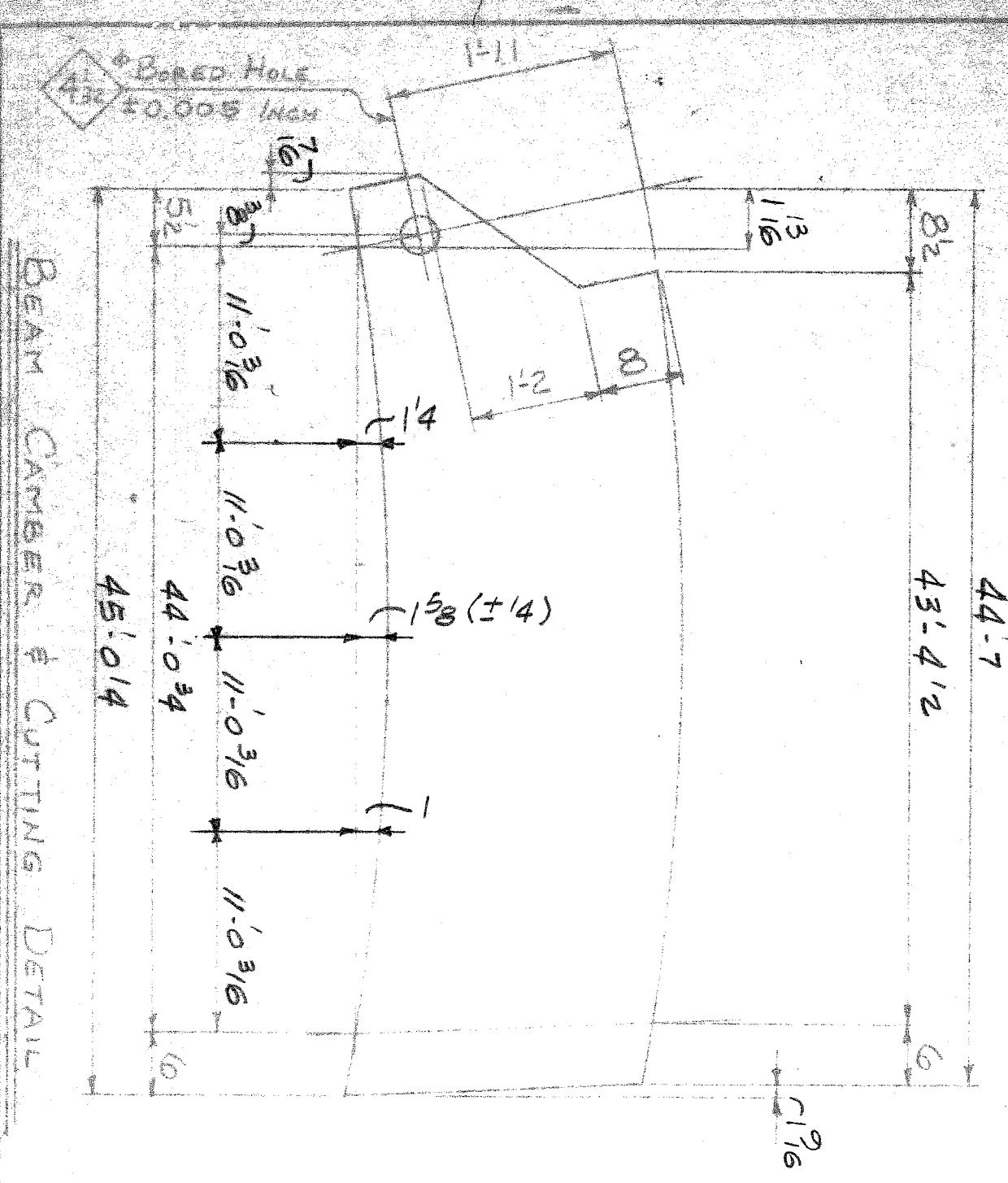
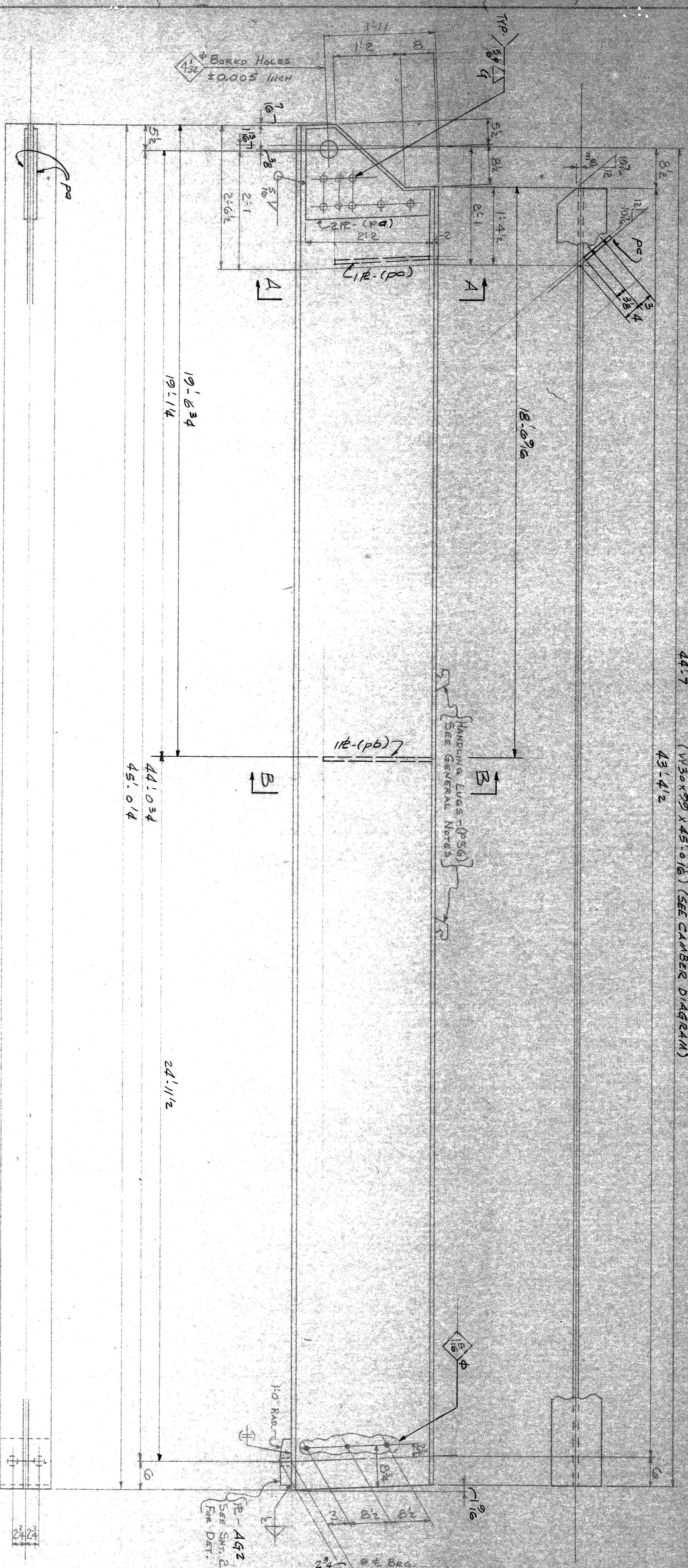
LINE NO.	REV.	DATE	BY	CHKD.	APP'D.	MATERIAL	QUANTITY	REMARKS
1						Stringer	47' 6 3/8	AB2
2						W 30 x 99	2	CVN
3						P 12 1/4	2	CVN
4						P 11 3/8	1	PB
5						P 12 5/8	1	PC
6						P 12 7/8	1	PD
7						P 1 1/4	0	SEE SMT. 2 FOR DET.
8						AP2	54	SEE SMT. 2 FOR DET.
9								
10								
11								
12								
13								
14								
15								
16								
17								
18								
19								
20								
21								
22								
23								
24								
25								
26								
27								
28								
29								
30								
31								
32								
33								
34								
35								
36								
37								
38								
39								
40								
41								
42								
43								
44								
45								
46								
47								
48								
49								
50								
51								
52								
53								
54								
55								
56								
57								
58								
59								
60								
61								
62								
63								
64								
65								
66								
67								

CITY OF DETROIT  
 CITY ENGINEERING DEPARTMENT  
**APPROVED**  
 FOR COMPLIANCE WITH CONTRACT NO. 14-6533  
 THIS APPROVAL SHALL NOT RELIEVE THE CONTRACTOR OF ANY RESPONSIBILITY COVERED BY THE CONTRACT  
 MAR 2 1977

**PHILIP ZWIG & SONS**

Shop Notes  
 1 SEE SHEET E4 FOR GENERAL NOTES.  
 2 MATL: A588 U.N.  
 CONTRACT 335  
 SHEET 52 OF 53

44'-7" (W30x99 x 45'-0 1/16) (SEE CAMBER DIAGRAM)  
43'-4 1/2"



ITEM NO.	DESCRIPTION	QUANTITY	UNIT	REMARKS
1	5' x 30' x 99' A53	45.016	LN	CVN
2	2' x 24' x 12' A53	2.214	LN	CVN
3	1' x 11' x 36' A53	1.136	LN	CVN
4	1' x 8' x 27' A53	1.8	LN	CVN
5	1' x 8' x 27' A53	0.616	LN	CVN
6	1' x 8' x 27' A53	0.616	LN	CVN
7	1' x 8' x 27' A53	0.616	LN	CVN
8	1' x 8' x 27' A53	0.616	LN	CVN
9	1' x 8' x 27' A53	0.616	LN	CVN
10	1' x 8' x 27' A53	0.616	LN	CVN
11	1' x 8' x 27' A53	0.616	LN	CVN
12	1' x 8' x 27' A53	0.616	LN	CVN
13	1' x 8' x 27' A53	0.616	LN	CVN
14	1' x 8' x 27' A53	0.616	LN	CVN
15	1' x 8' x 27' A53	0.616	LN	CVN
16	1' x 8' x 27' A53	0.616	LN	CVN
17	1' x 8' x 27' A53	0.616	LN	CVN
18	1' x 8' x 27' A53	0.616	LN	CVN
19	1' x 8' x 27' A53	0.616	LN	CVN
20	1' x 8' x 27' A53	0.616	LN	CVN
21	1' x 8' x 27' A53	0.616	LN	CVN
22	1' x 8' x 27' A53	0.616	LN	CVN
23	1' x 8' x 27' A53	0.616	LN	CVN
24	1' x 8' x 27' A53	0.616	LN	CVN
25	1' x 8' x 27' A53	0.616	LN	CVN
26	1' x 8' x 27' A53	0.616	LN	CVN
27	1' x 8' x 27' A53	0.616	LN	CVN
28	1' x 8' x 27' A53	0.616	LN	CVN
29	1' x 8' x 27' A53	0.616	LN	CVN
30	1' x 8' x 27' A53	0.616	LN	CVN
31	1' x 8' x 27' A53	0.616	LN	CVN
32	1' x 8' x 27' A53	0.616	LN	CVN
33	1' x 8' x 27' A53	0.616	LN	CVN
34	1' x 8' x 27' A53	0.616	LN	CVN
35	1' x 8' x 27' A53	0.616	LN	CVN
36	1' x 8' x 27' A53	0.616	LN	CVN
37	1' x 8' x 27' A53	0.616	LN	CVN
38	1' x 8' x 27' A53	0.616	LN	CVN
39	1' x 8' x 27' A53	0.616	LN	CVN
40	1' x 8' x 27' A53	0.616	LN	CVN
41	1' x 8' x 27' A53	0.616	LN	CVN
42	1' x 8' x 27' A53	0.616	LN	CVN
43	1' x 8' x 27' A53	0.616	LN	CVN
44	1' x 8' x 27' A53	0.616	LN	CVN
45	1' x 8' x 27' A53	0.616	LN	CVN
46	1' x 8' x 27' A53	0.616	LN	CVN
47	1' x 8' x 27' A53	0.616	LN	CVN
48	1' x 8' x 27' A53	0.616	LN	CVN
49	1' x 8' x 27' A53	0.616	LN	CVN
50	1' x 8' x 27' A53	0.616	LN	CVN
51	1' x 8' x 27' A53	0.616	LN	CVN
52	1' x 8' x 27' A53	0.616	LN	CVN
53	1' x 8' x 27' A53	0.616	LN	CVN
54	1' x 8' x 27' A53	0.616	LN	CVN
55	1' x 8' x 27' A53	0.616	LN	CVN
56	1' x 8' x 27' A53	0.616	LN	CVN
57	1' x 8' x 27' A53	0.616	LN	CVN
58	1' x 8' x 27' A53	0.616	LN	CVN
59	1' x 8' x 27' A53	0.616	LN	CVN
60	1' x 8' x 27' A53	0.616	LN	CVN
61	1' x 8' x 27' A53	0.616	LN	CVN
62	1' x 8' x 27' A53	0.616	LN	CVN
63	1' x 8' x 27' A53	0.616	LN	CVN
64	1' x 8' x 27' A53	0.616	LN	CVN
65	1' x 8' x 27' A53	0.616	LN	CVN
66	1' x 8' x 27' A53	0.616	LN	CVN
67	1' x 8' x 27' A53	0.616	LN	CVN
68	1' x 8' x 27' A53	0.616	LN	CVN
69	1' x 8' x 27' A53	0.616	LN	CVN
70	1' x 8' x 27' A53	0.616	LN	CVN

**PHILIP ZWEIF & SONS**  
2100 E. 8TH AVE.  
BUILDING Erector Ave. Detroit, Michigan  
OWNER: City Of Detroit, Michigan  
LOCATION: Detroit, Michigan  
CONTRACTOR: Walter T. Treadwell, Construction Company  
ARCHITECT: City Engineering Department, City of Detroit, Michigan  
TITLE: STRINGER, SPAN 4

**CITY OF DETROIT  
CITY ENGINEERING DEPARTMENT  
APPROVED**

FOR COMPLIANCE WITH CONTRACT NO. PW 6552  
THIS APPROVAL SHALL NOT RELIEVE THE CONTRACTOR OF ANY RESPONSIBILITY COVERED BY THE CONTRACT  
DATE: 8/27/77 BY: [Signature]

**SHOP NOTES**  
1 SEE SHEET E4 FOR GENERAL NOTES.  
2 MATL: A588 U.N.

CONTRACT 335 SHEET 53 OF 53